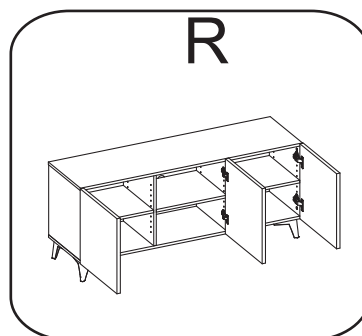
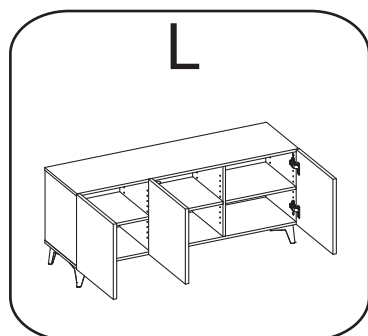
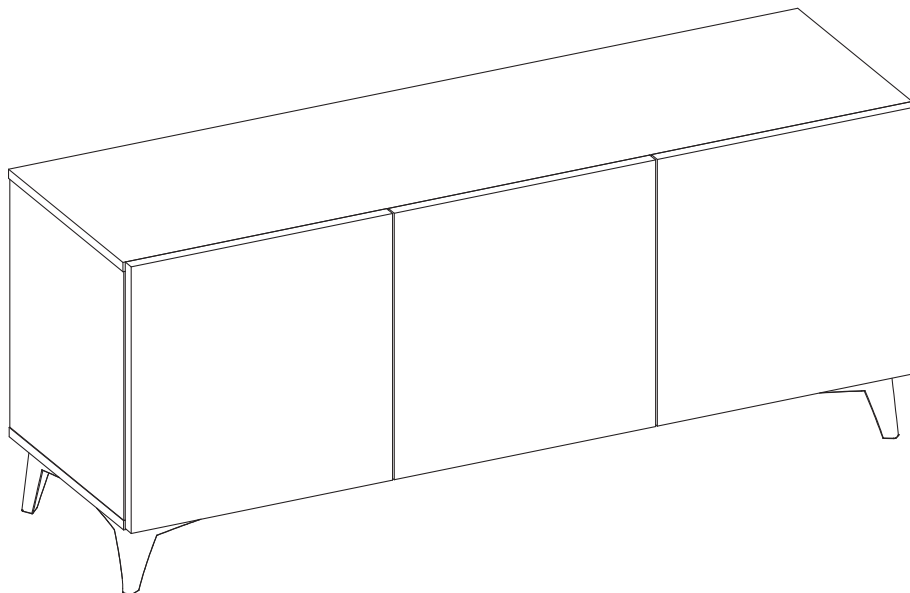



# Jackson




## Spare Parts

 [www.argos-support.co.uk](http://www.argos-support.co.uk)

 [Help@ClickSpares.co.uk](mailto:Help@ClickSpares.co.uk)

 0370 112 192 8

## Customer Support

 0345 640 202 0

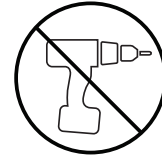
# Safety and Care Advice

---

Warning: Please follow directly the manufacturer assembly instruction!

## **IMPORTANT, RETAIN FOR FUTURE REFERENCE: READ CAREFULLY.**

- Keep children and animals away from the work area, small parts could choke if swallowed.
- Assemble the item as close to its final position (in the same room) as possible.
- Assemble on a soft level surface to avoid damaging the unit or your floor.
- We do not recommend the use of power drill/drivers for inserting screws as this could damage the unit. Only use hand screwdrivers.
- Parts of the assembly will be easier with 2 people.
- Dispose of all packaging carefully and responsibly.



## **Care and maintenance**

---

- Only clean using a damp cloth and mild detergent. Do not use abrasive cleaners.
- From time to time check that there are no loose screws, nuts or bolts. If there are please re-tighten.
- This product should not be discarded with household waste. Take to your local authority waste disposal centre.
- Use a dry cloth to clean the product, furniture polish is not recommended.

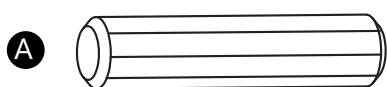
# Fittings (Shown to scale)

Rtv

## Bag 1

**WARNING!**

IN ORDER TO PREVENT OVERTURNING  
THIS PRODUCT MUST BE USED WITH  
THE WALL ATTACHMENT DEVICE  
PROVIDED



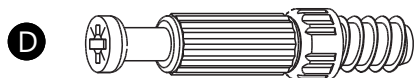
8x35 Wooden Dowel x16



Locking Cam x16



16mm Screw x17



Metal Dowel x16



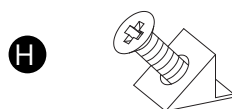
25mm Screw x16



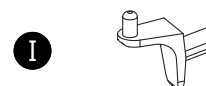
20mm Screw x4



13mm Screw x3



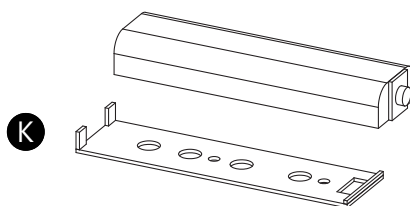
Plastic Wedge x8



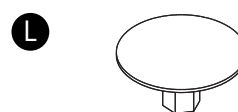
Shelf Support x4



13mm Screw x4



Push x3



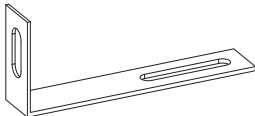
Plug x16

# Hardware

---

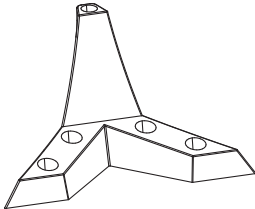
Rtv

M



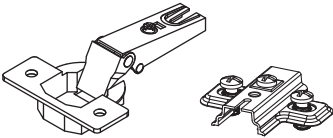
Wall Fixing Bracket x2

N



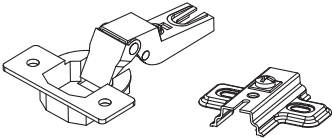
Foot x 4

O



Door Hinger (typ 1) x4

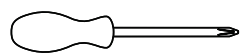
P



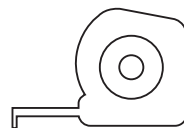
Door Hinger (typ 2) x2

# Tools required

---



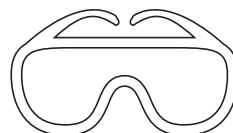
Phillips screwdriver  
(small & medium)



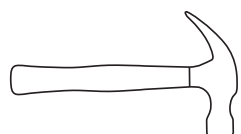
Ruler/tape  
measure



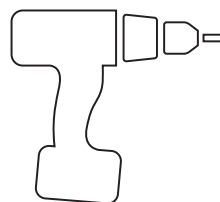
Flat screwdriver  
(small & medium)



Eye protection  
(when using a  
hammer or glue)



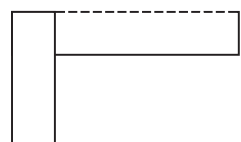
Hammer



Power Drill



Pencil



Set Square



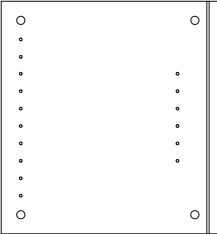
Drill Bits



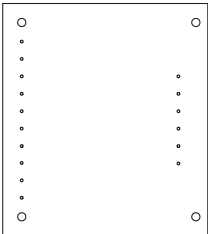
Spirit Level

# Panels

Rtv



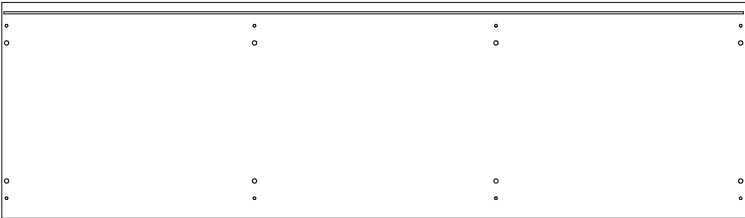
1 Side Panel (427 x 399mm) x2



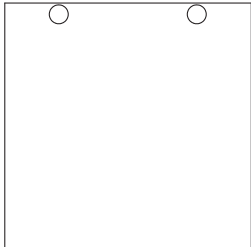
2 Vertical Partition Panel (427 x 378mm) x2



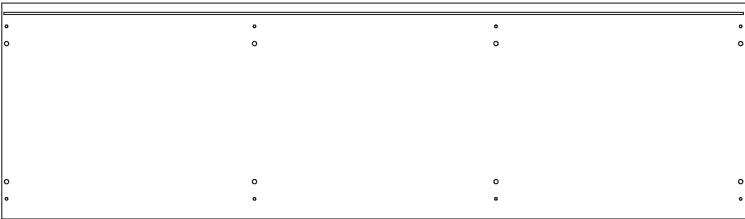
5 Shelf (438 x 377mm) x3



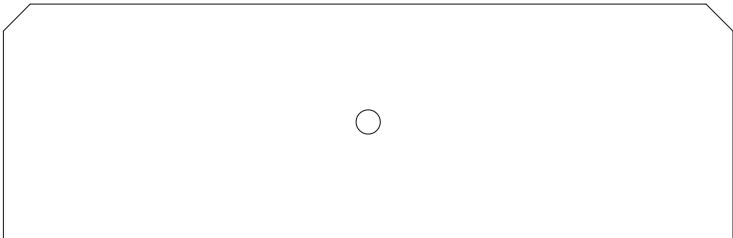
3 Top Panel (1380 x 400mm)



6 Door (457 x 457mm) x3



4 Bottom Panel (1380 x 400mm)



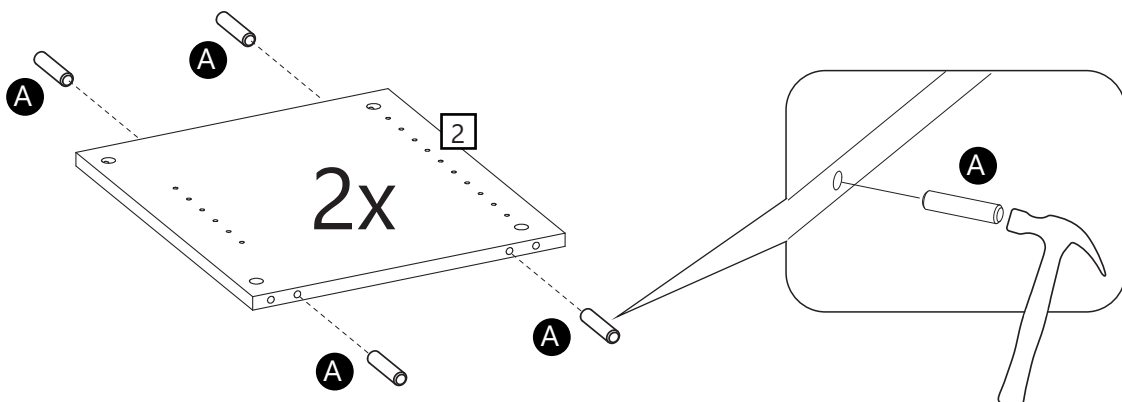
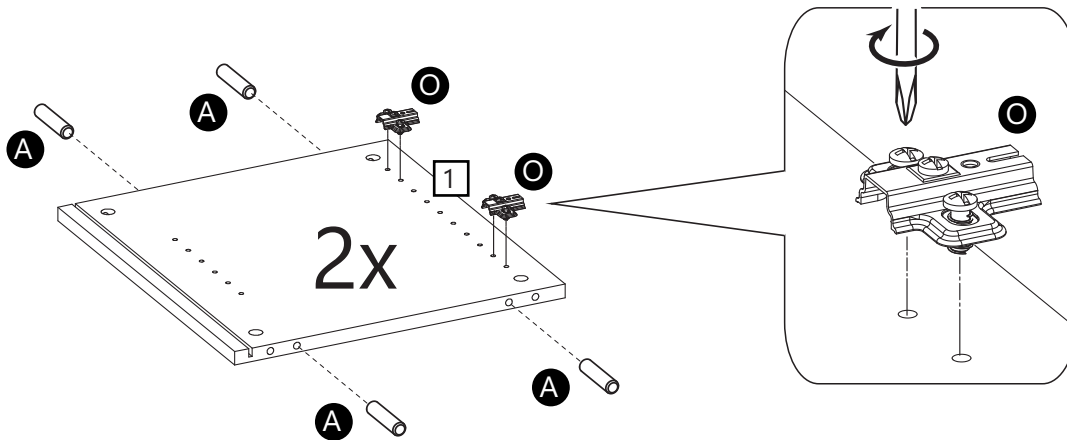
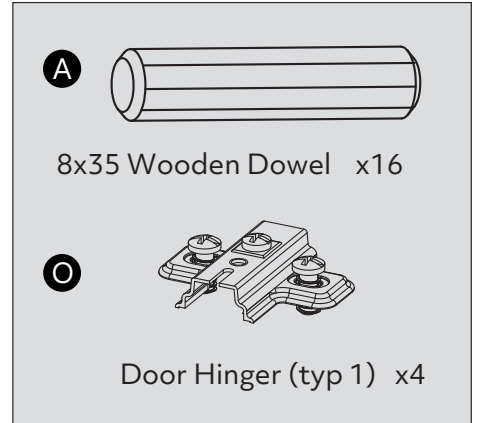
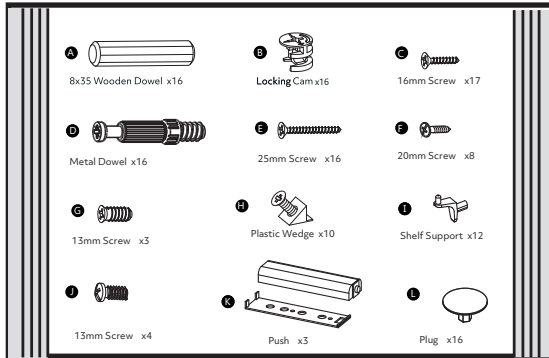
7 Top Back Panel (1356 x 437mm)

Rtv

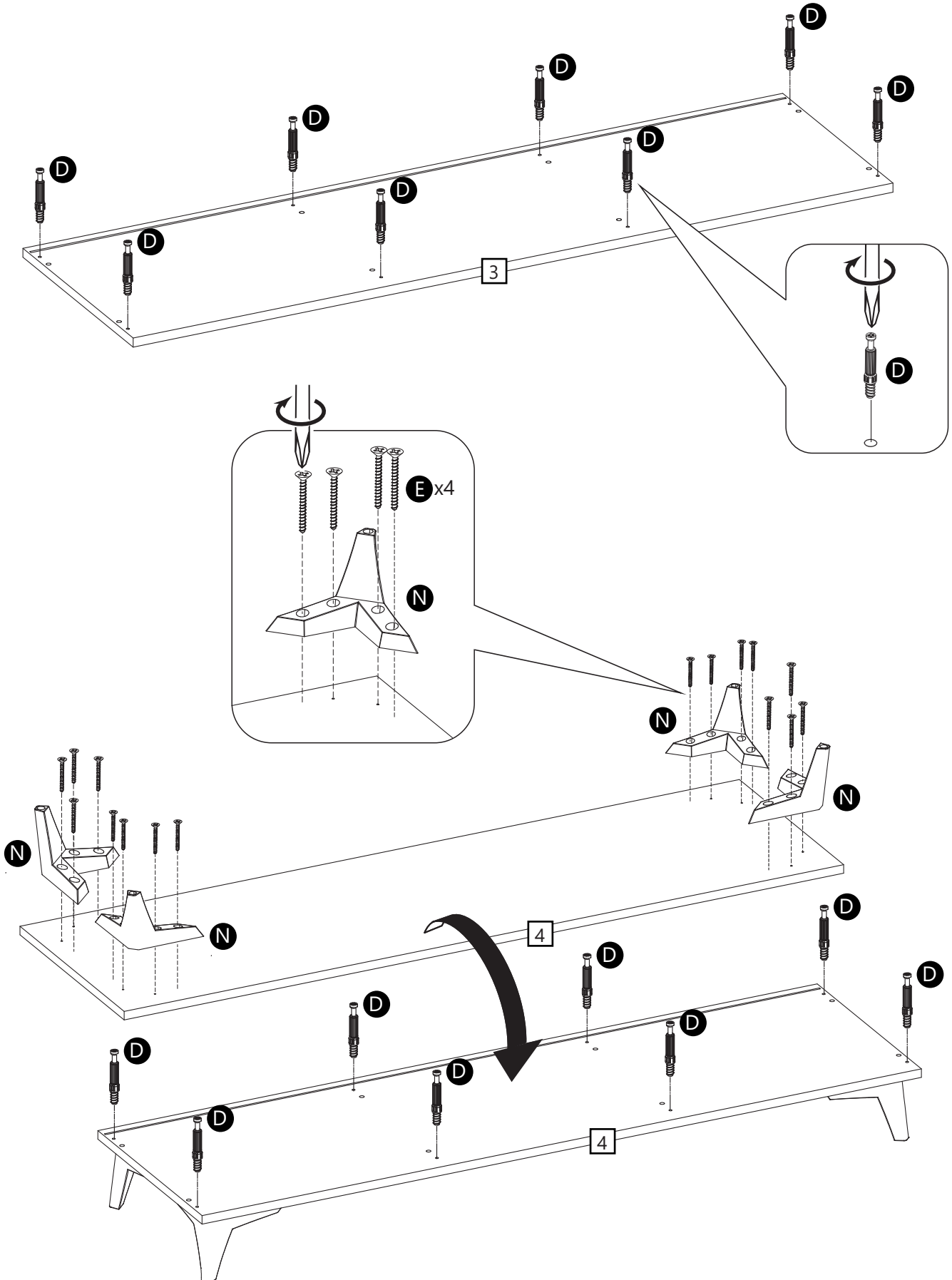
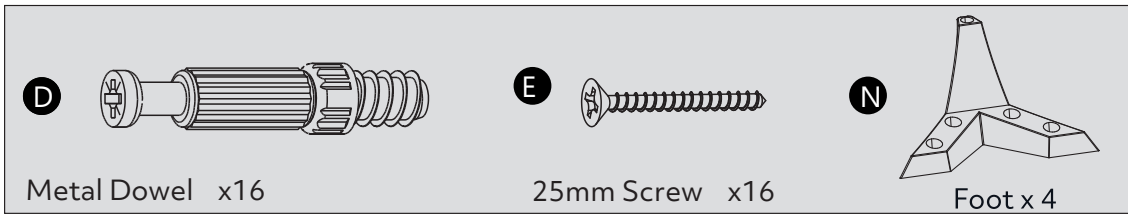
# WARNING!

IN ORDER TO PREVENT OVERTURNING  
THIS PRODUCT MUST BE USED WITH  
THE WALL ATTACHMENT DEVICE  
PROVIDED

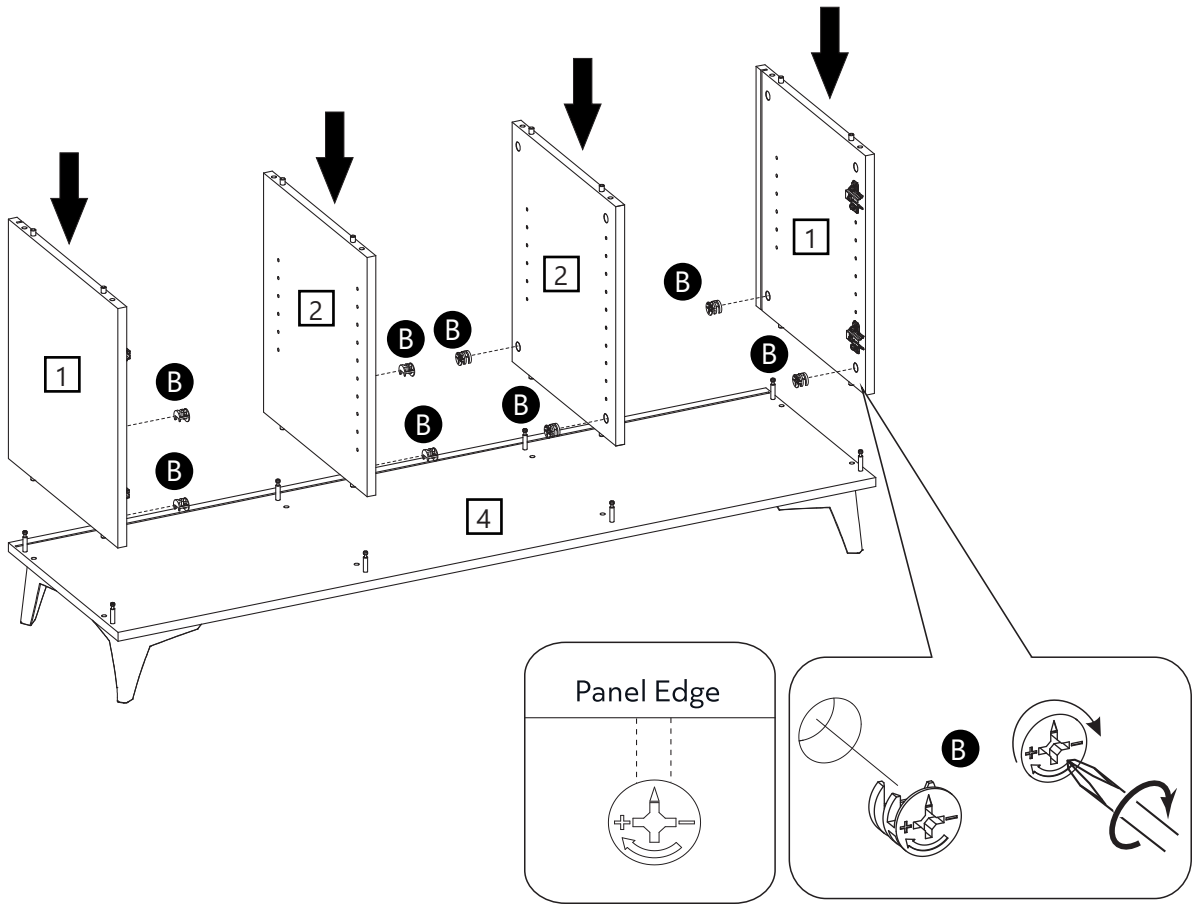
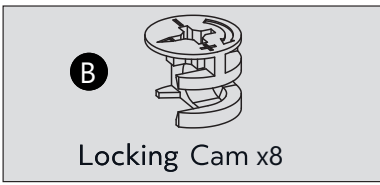
# 1



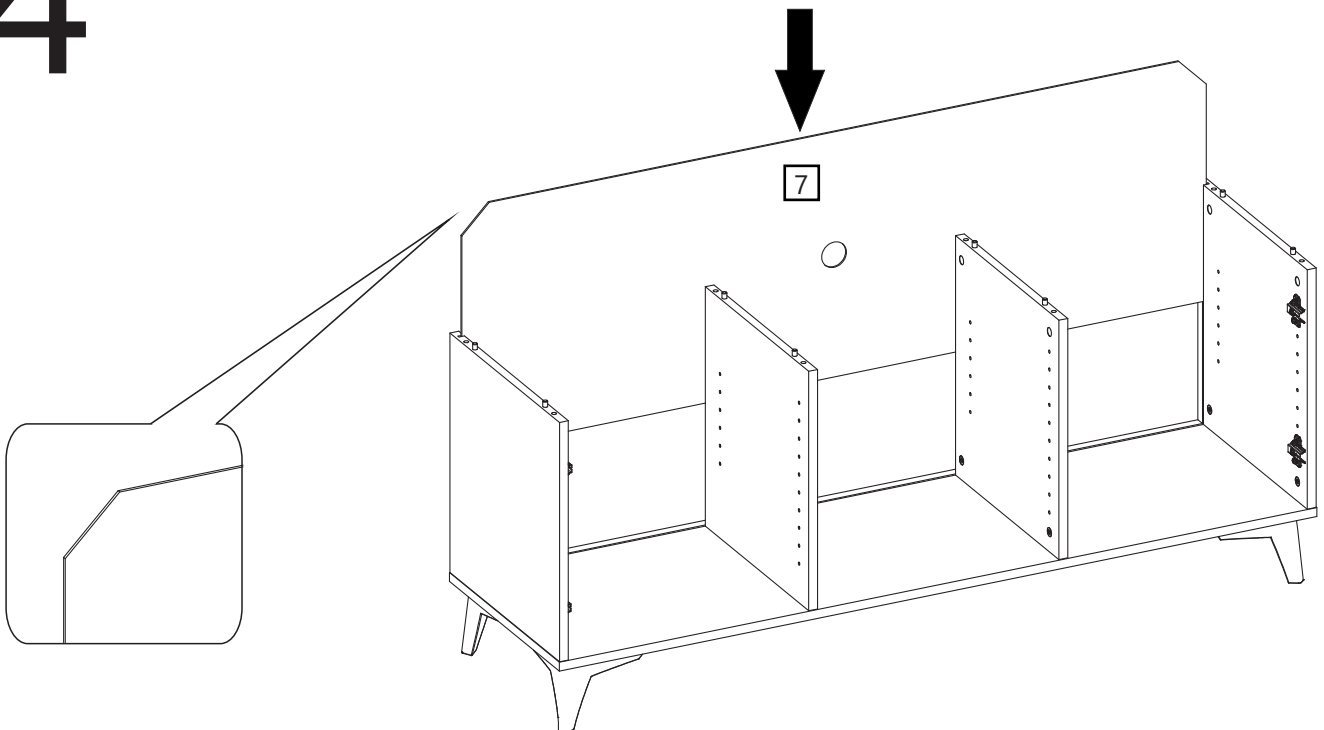
# 2



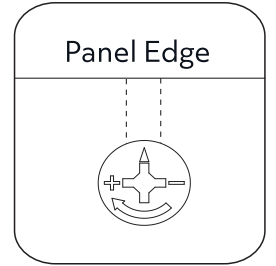
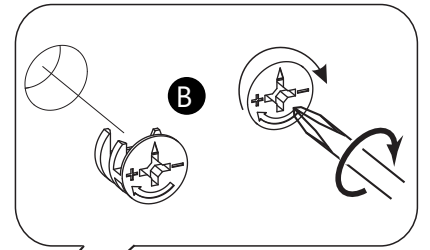
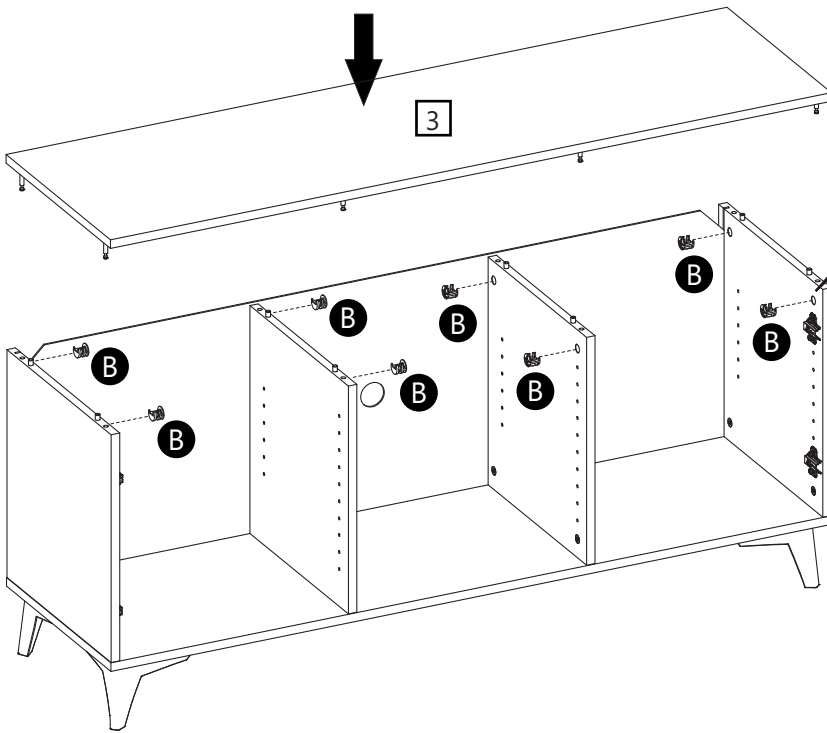
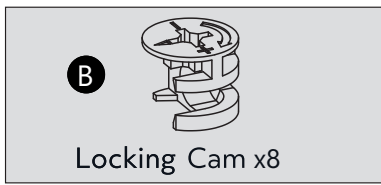
# 3



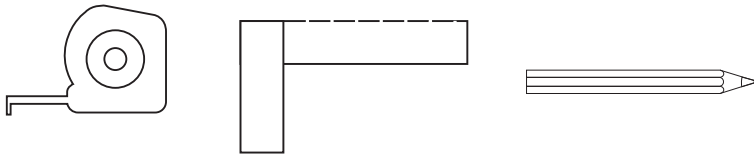
# 4



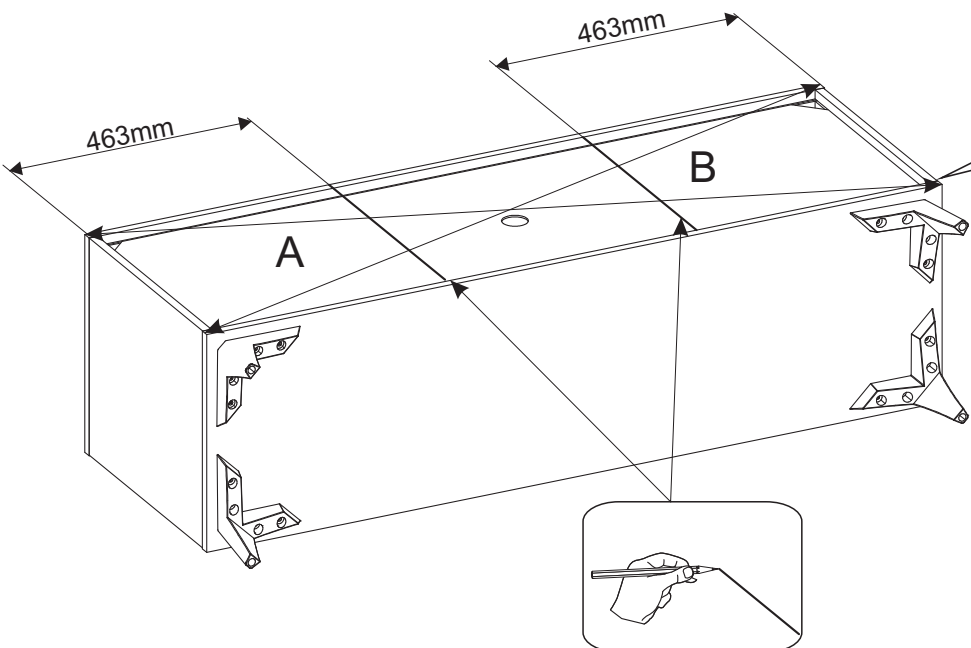
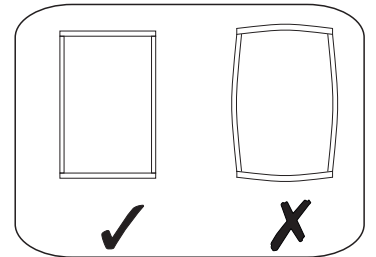
# 5



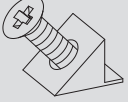

# 6

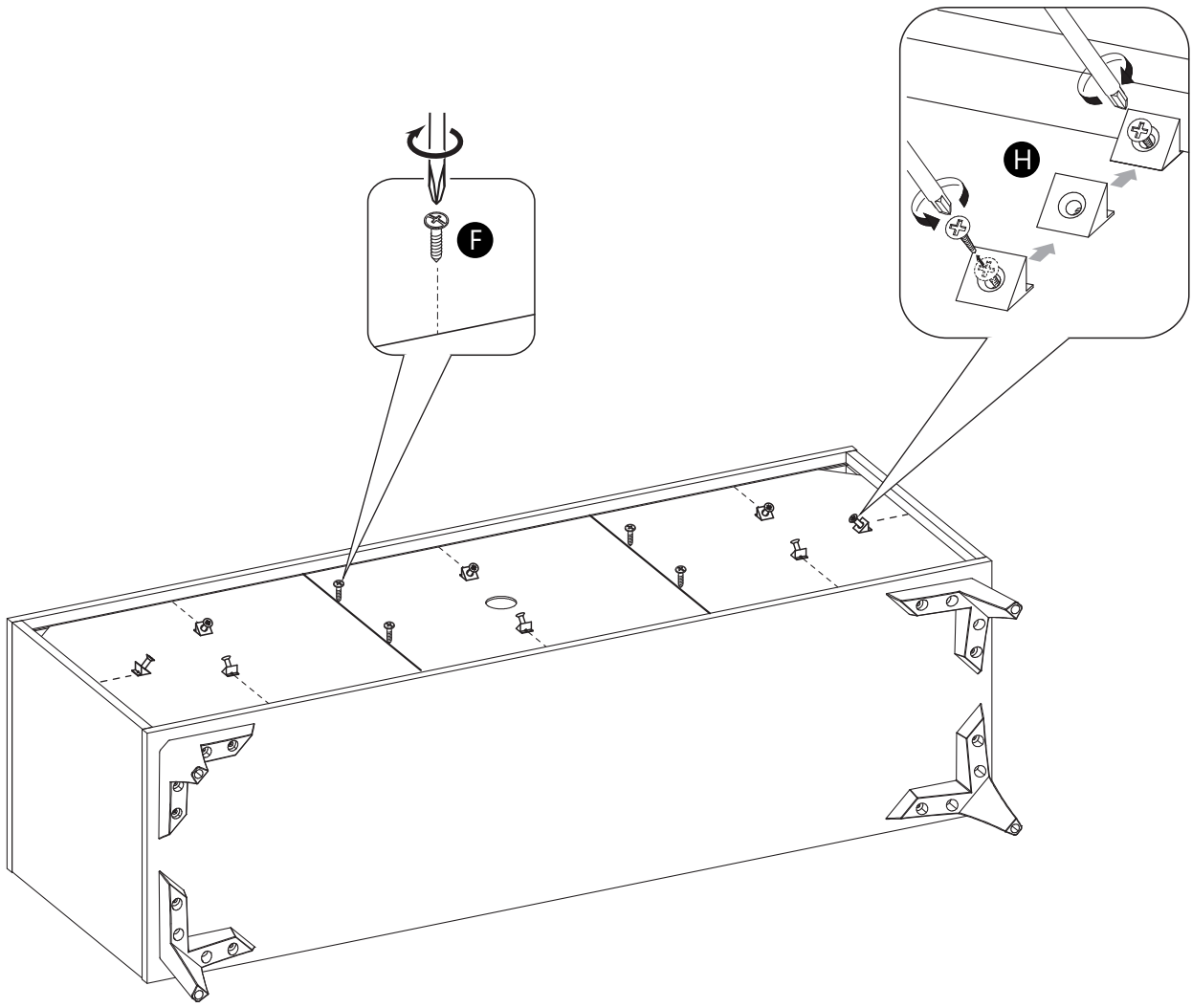


$A=B$

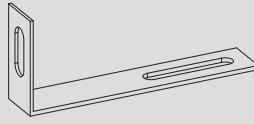



# 7

<b>H</b>		<b>F</b>	
Plastic Wedge x8		20mm Screw x4	

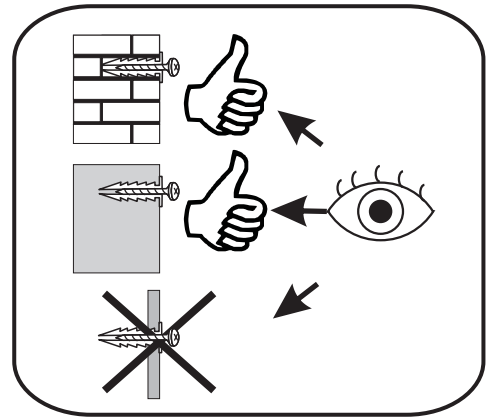
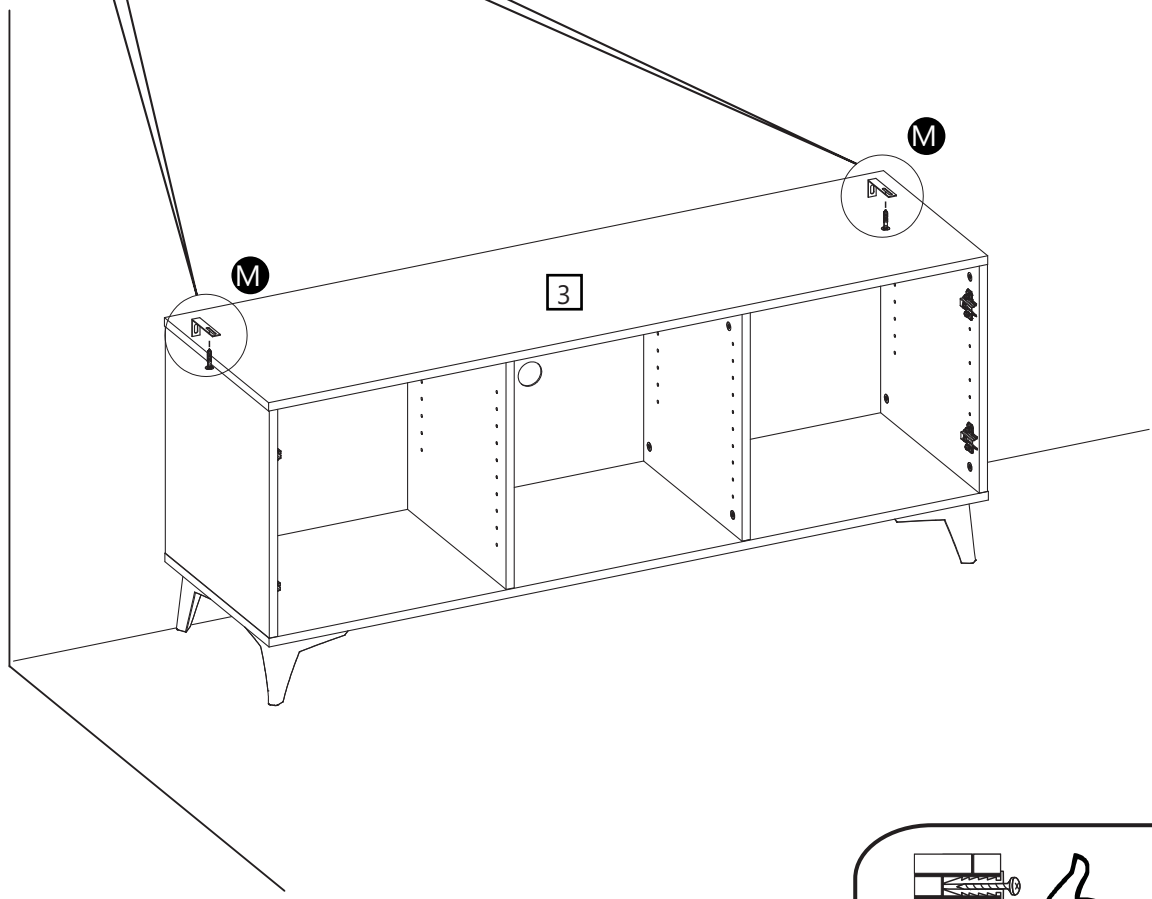
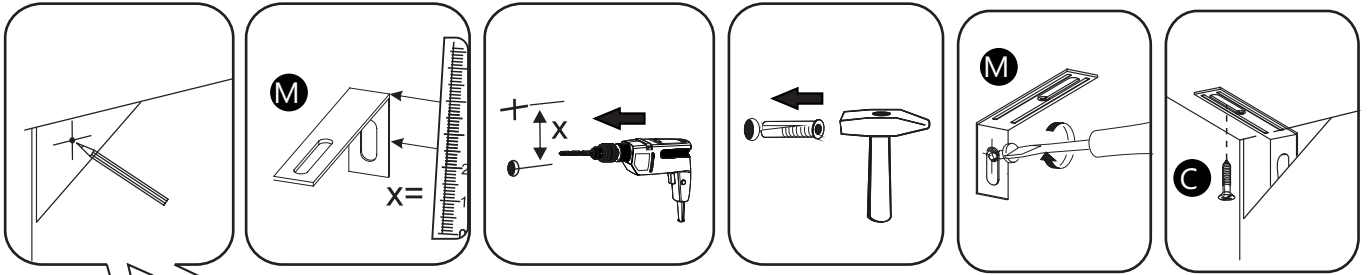


# 8

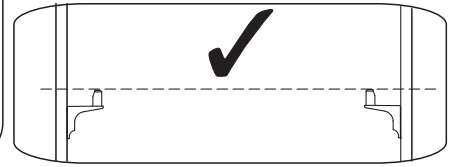
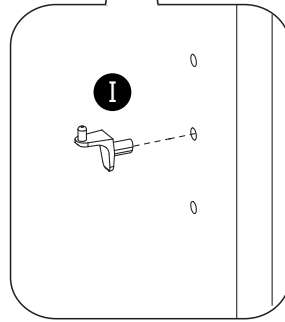
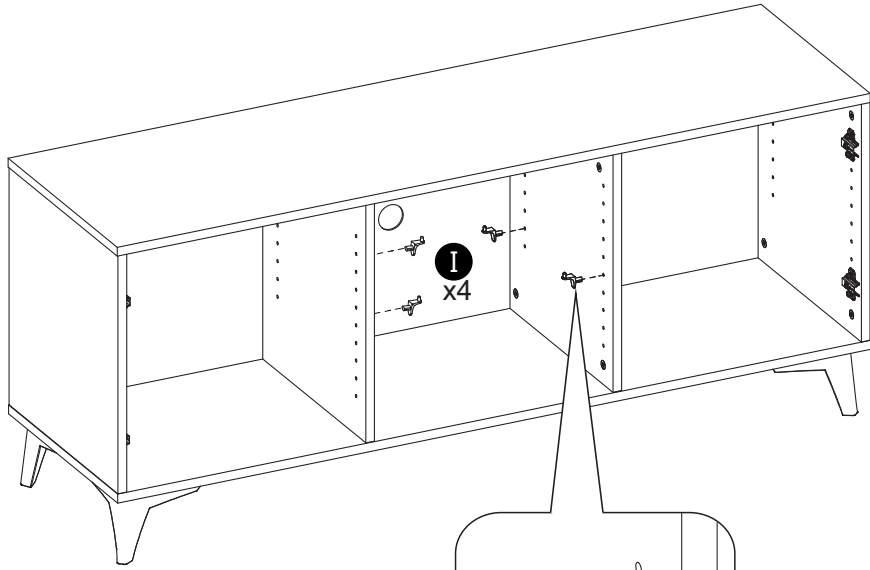
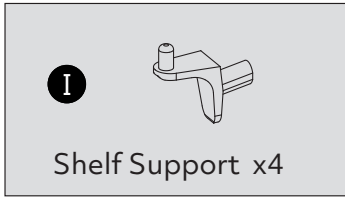
**M**  Wall Fixing Bracket x2

**C**  16mm Screw x2

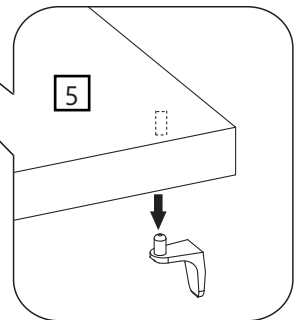
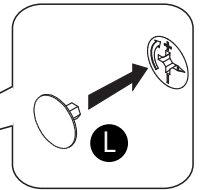
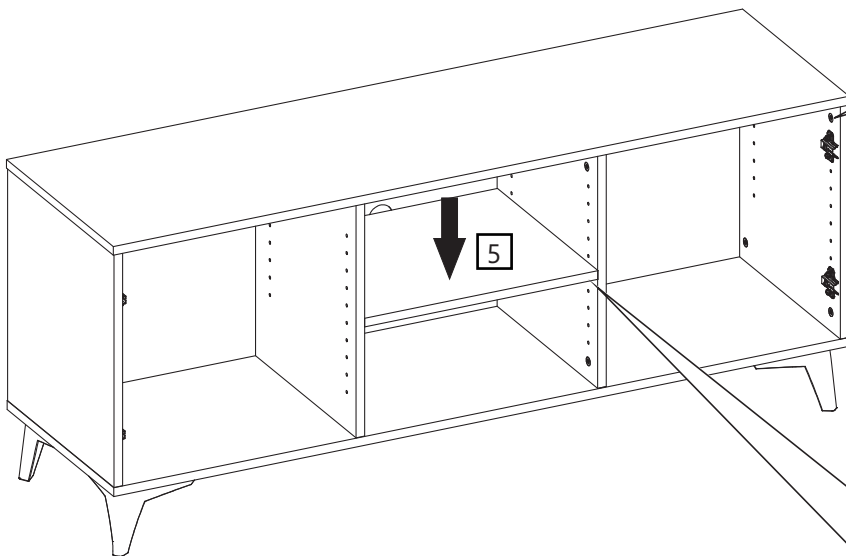
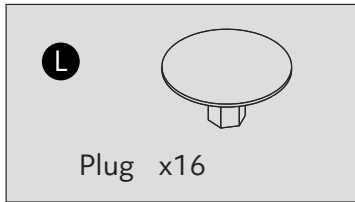
**WARNING!**  
IN ORDER TO PREVENT OVERTURNING  
THIS PRODUCT MUST BE USED WITH  
THE WALL ATTACHMENT DEVICE  
PROVIDED



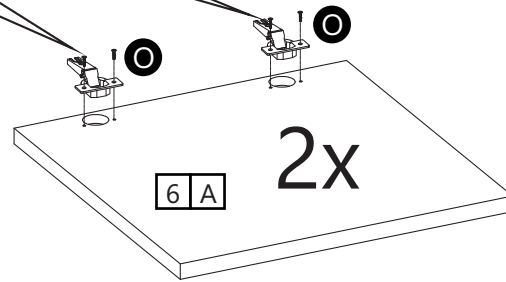
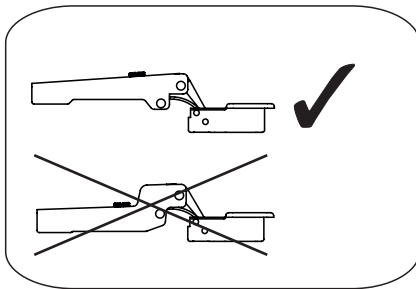
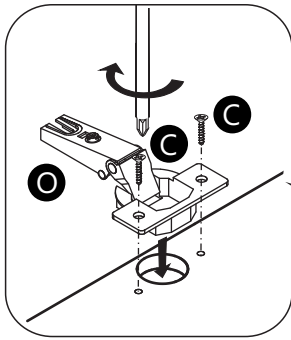
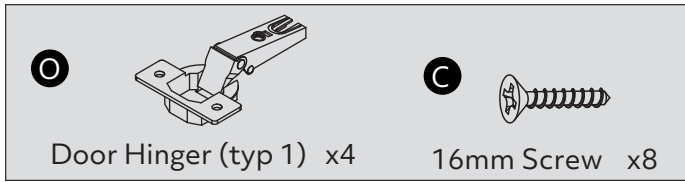
# 9



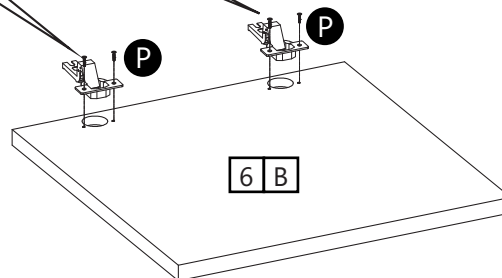
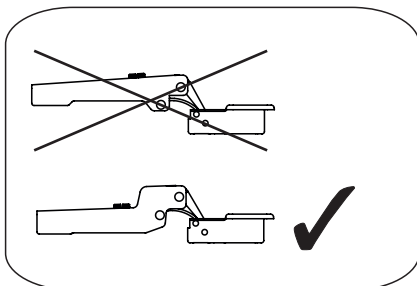
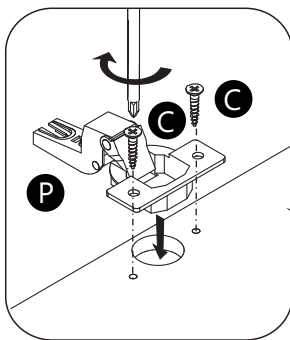
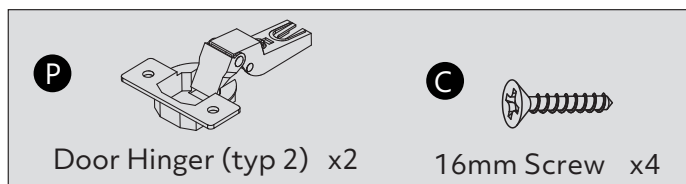
# 10



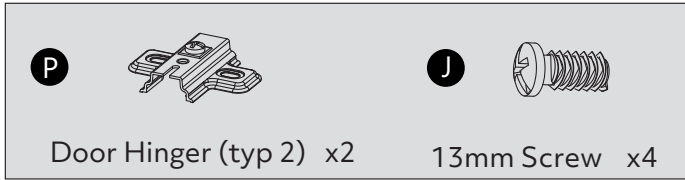
# 11



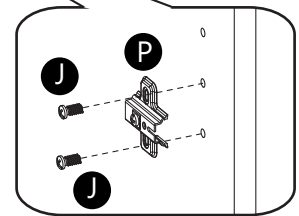
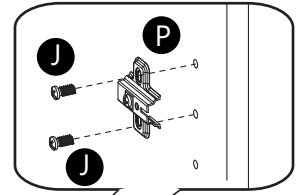
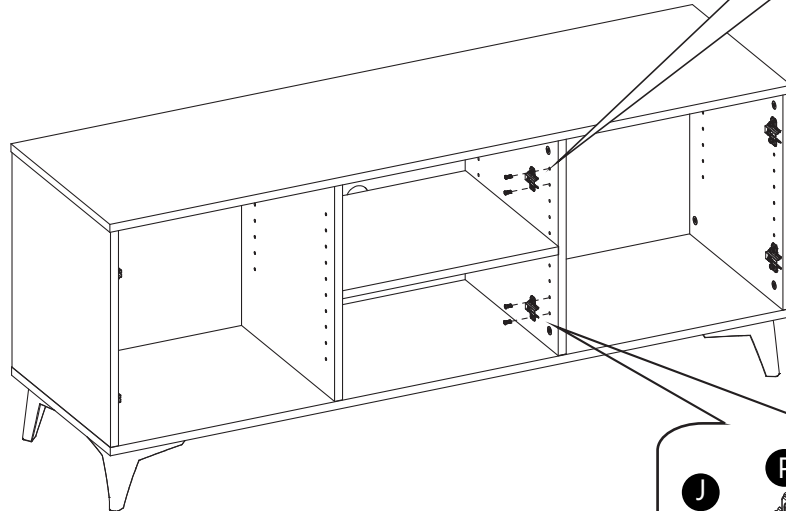
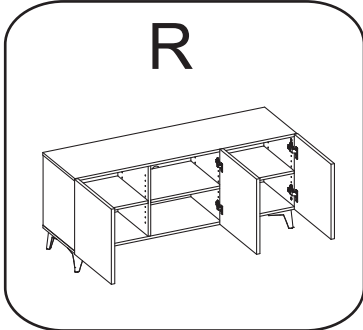
# 12



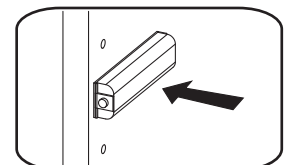
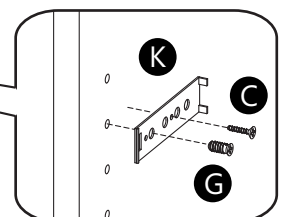
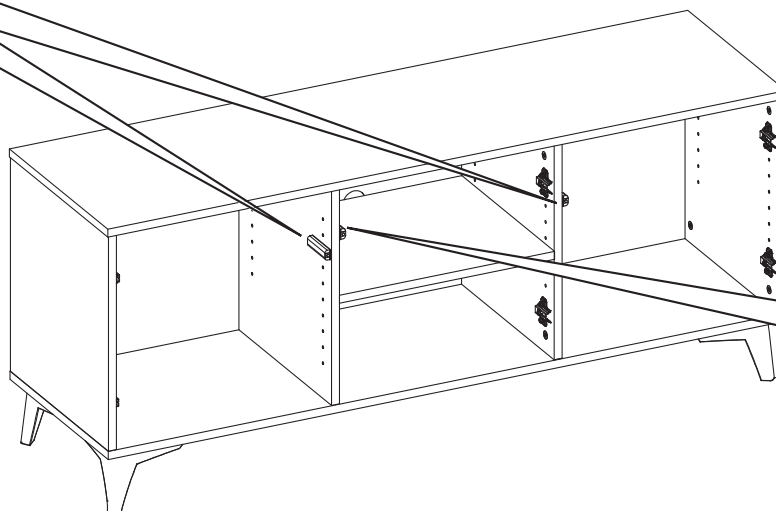
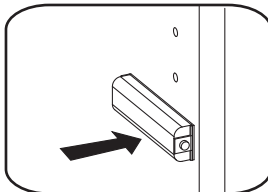
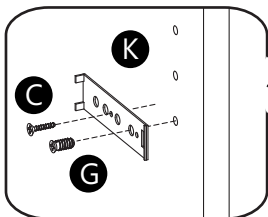
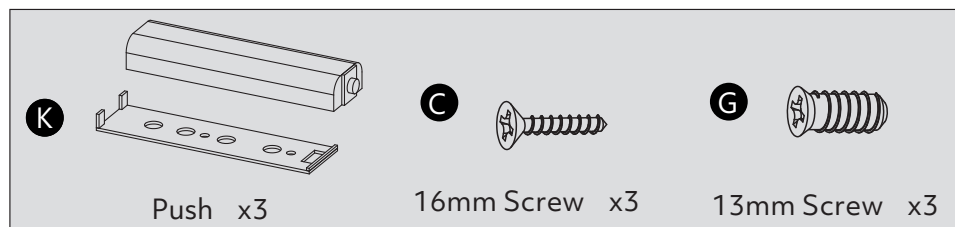
# 13



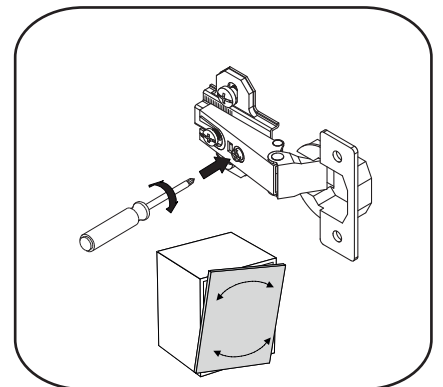
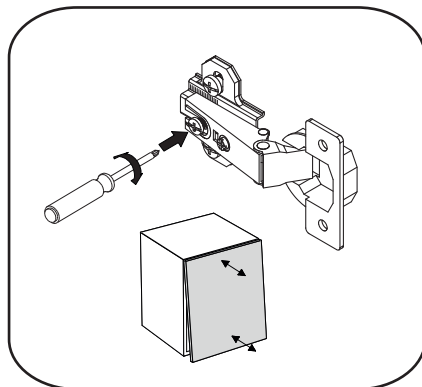
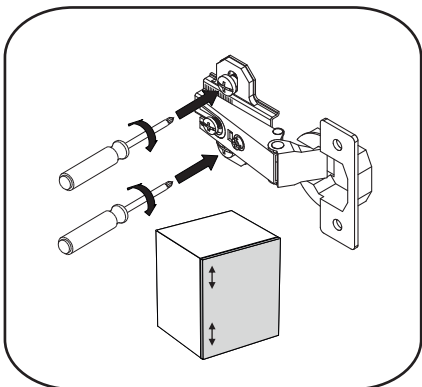
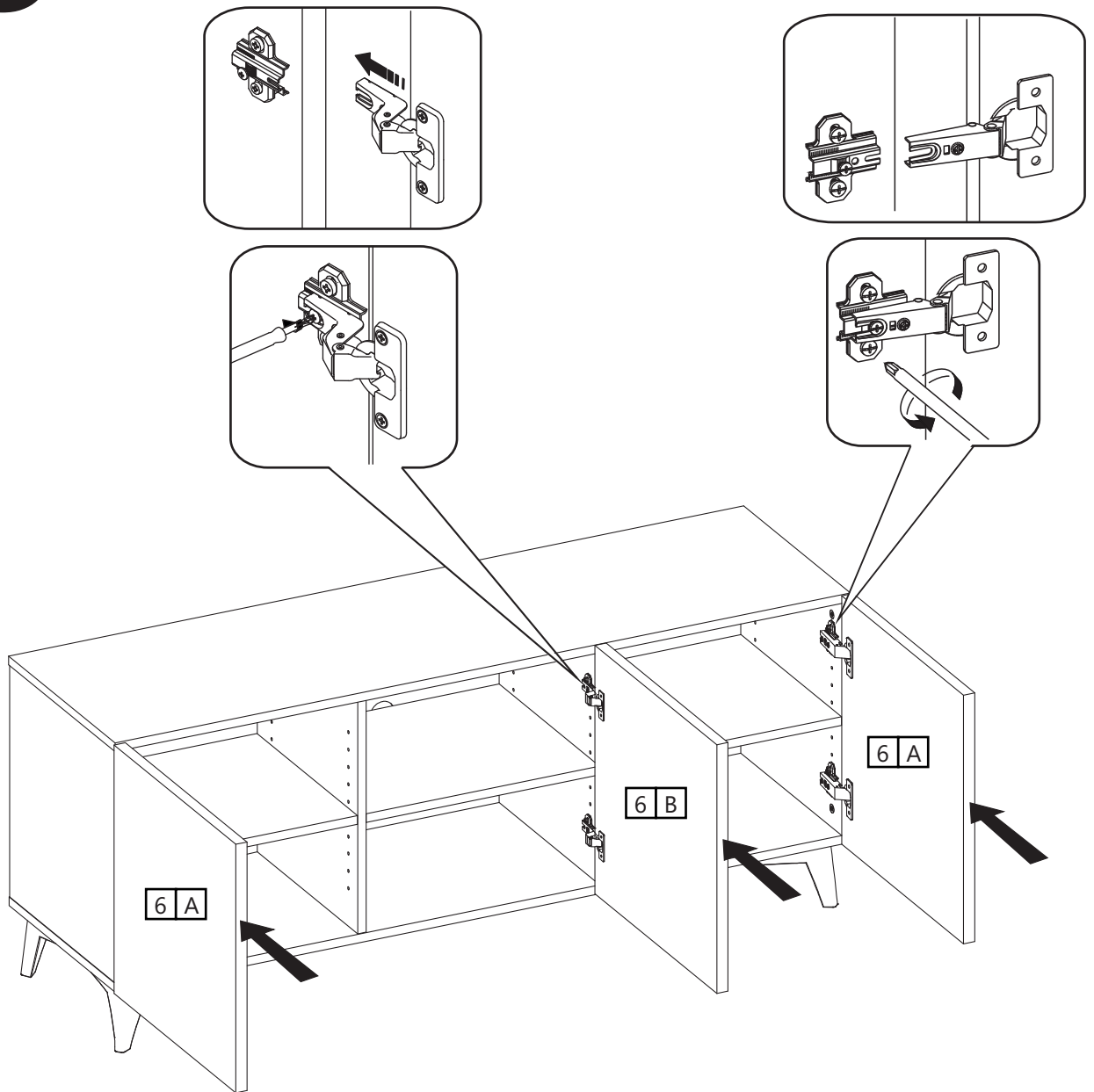
!!!




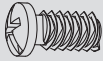
# 14



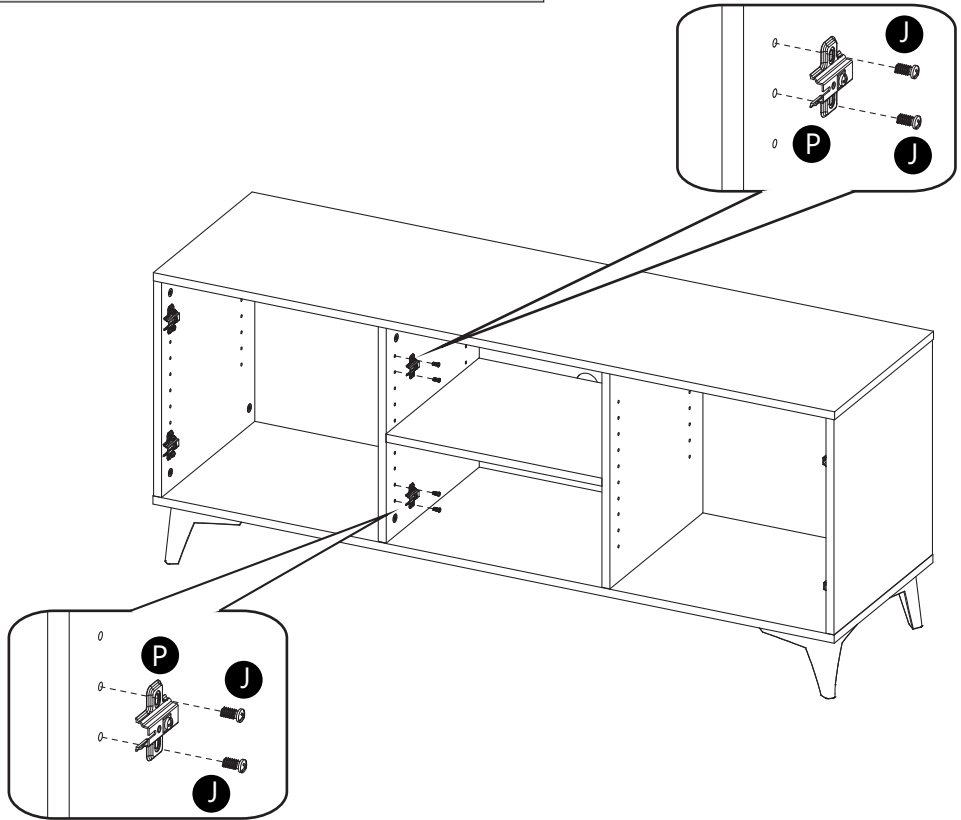
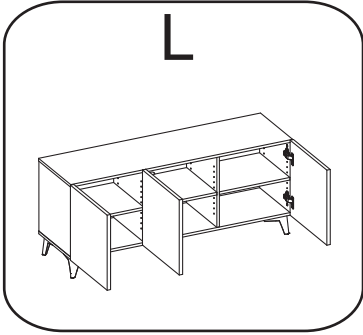
# 15



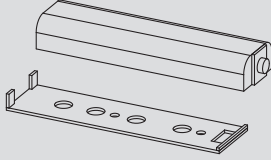
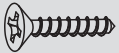
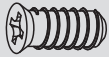
# 16

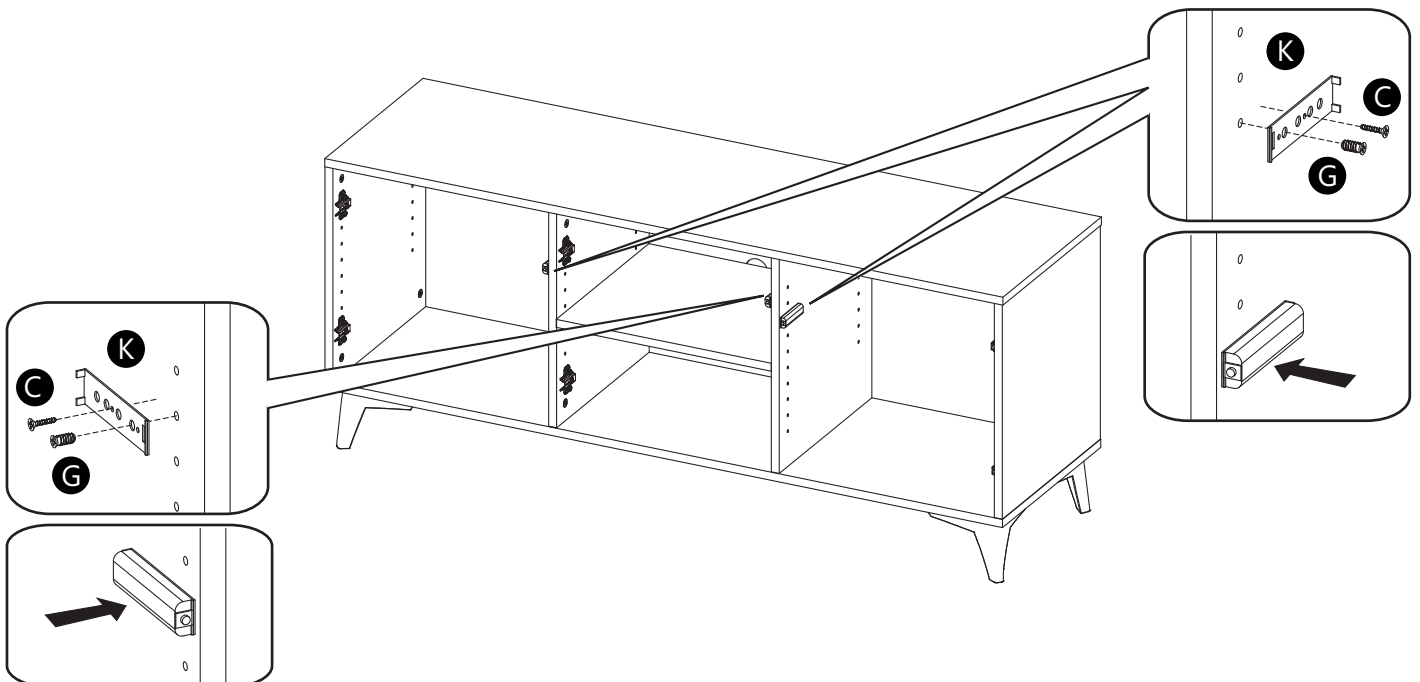
**P**  **J**   
Door Hinger (typ 2) x2      13mm Screw x4

!!!



# 17

**K**  **C**  **G**   
Push x3      16mm Screw x3      13mm Screw x3



# 18

