

BUSH

Instruction manual

18 Bottle Wine Cooler
WC18



You'll soon be enjoying your new Wine Cooler

It all begins here, with your instructions. Don't worry, there's nothing too technical coming up. Just simple, step-by-step guidance to get you up and running quickly. Sound good? Then let's get started.

Help and Guidance

We're here to help you get the most from your Wine Cooler. Should you require any guidance, a simple solution can often be found online at:

www.bush-support.co.uk

If you still require further assistance, call one of our experts on **01759 487838**.

Contents

1 Safety information

Safety information 5

2 Getting to know your Wine Cooler

Ready? Let's begin 10

Accessories 11

3 Installing your Wine Cooler

Installation requirements 13

Unpacking 13

4 Using your Wine Cooler

Arranging your Wine Cooler 17

5 Care and Maintenance

Cleaning 20

Maintenance actions

Technical specifications 21

6 Product support

Troubleshooting 24

Help and assistance 25

Declaration of conformance to product standards 26

Disposal 26

Guarantee 27

Safety information

1





Safety information

Important - Please read these instructions fully before installing or operating

General warnings

WARNING: Keep ventilation openings, in the appliance enclosure or to the inside unit, clear of obstruction.

WARNING: Do not use electrical appliances inside the storage compartments of the appliance unless they are of the type recommended by the manufacturer.

WARNING: Do not damage the refrigerant circuit.

WARNING: Due to the instability of the appliance, it must be fixed in accordance with the instructions to avoid a hazard.

WARNING: If the supply cord is damaged, it must be replaced by the manufacturer, its service agent or similarly qualified persons in order to avoid a hazard.

WARNING: This appliance is intended to be used in household and domestic applications only.

WARNING: This product is not suitable for food storage and must not be used to store food inside.

- This appliance contains the coolant Isobutane (R600a), a natural gas which is environmentally friendly. Although it is flammable, it does not damage the ozone layer and does not increase the greenhouse effect. The use of this coolant has, however, led to a slight increase in the noise level of the appliance. In addition to the noise of the compressor, you might be able to hear the coolant flowing around the system. This is unavoidable, but does not have any adverse effect on the performance of the appliance.
- Care must be taken during the transportation and installation of the appliance that no parts of the cooling system are damaged. Leaking coolant can damage the eyes.
- In the event of any damage:
 - Avoid open flames and anything which creates a spark.
 - Disconnect from the mains.
 - Air the room in which the appliance is located for at least an hour.
 - Contact the BUSH Service Department for advice.

If you require any technical guidance or find that your product is not operating as intended, a simple solution can often be found in the **Troubleshooting** section of these instructions.



Safety information

Important - Please read these instructions fully before installing or operating

- Whilst carrying and positioning the appliance care must be taken not to damage the cooler gas circuit at the rear of the appliance.
- Do not store explosive substances such as aerosol cans with a flammable propellant in this appliance. Do not use the appliance for industrial and commercial use, or any other purpose.
- The appliance is design for indoor use only and must be protected from rain, moisture and extreme temperature variations.
- This appliance is not intended for outdoor use.
- If the socket and refrigerator plug are not compatible please contact after sales service provider.
- This appliance can be used by children aged from 8 years and above and persons with reduced physical, sensory or mental capabilities or lack of experience and knowledge if they have been given supervision or instruction concerning use of the appliance in a safe way and understand the hazards involved. Children shall not play with the appliance. Cleaning and user maintenance shall not be made by children without supervision. Children aged from 3 to 8 years are allowed to load and unload refrigerating appliances.
- Before connecting the appliance, make sure that the connection data on the data plate (voltage and frequency), matches the mains electricity supply. This data must correspond in order to avoid the risk of damage to the appliance. Consult a qualified electrician if in any doubt.
- Ensure the accessories are secured during transportation to prevent damage.
- Do not splash water on the appliance. It may cause electrical parts to fail and result in an electric shock.
- Do not sit, stand or place any other heavy objects on top of the appliance. This could result in injury or damage to the appliance.
- To prevent possible harm to the environment or human health from uncontrolled waste disposal, recycle it responsibly to promote the sustainable reuse of material resources (further detail on page 26 of this instruction manual).
- Young children should be supervised to ensure that they do not play with the appliance.
- In case there is a flammable gas leak, open the window for air circulation and disconnect from the mains. Do not turn the temperature knob. Otherwise, sparks may happen.



Safety information

Important - Please read these instructions fully before installing or operating

Before using your appliance

- Before switching on your appliance for the first time, ensure it is positioned in its desired final location and is in its upright position for at least 24 hours before plugging in and switching on the power, otherwise you may damage the compressor.
- You may experience an odour from the appliance when it is operated for the first time. This is normal and will fade when your appliance starts to cool.
- It is recommended that you remove all the internal and external packaging and clean the interior of the appliance prior to first use. We recommend you wipe all parts with warm water, then rinse and dry. Place all parts back into the appliance after cleaning.
- Cleaning and user maintenance shall not be made by children without supervision.



- **Warning: Risk of fire / flammable materials.**
- When positioning the appliance, ensure the supply cord is not trapped or damaged.
- Do not locate multiple portable socket-outlets or portable power supplies at the rear of the appliance.
- To avoid contamination of drinks, pay attention to the following:
 - Opening the door for long periods of time can cause a significant increase in the temperature in the compartments of the appliance.
 - Only store wine in sealed containers.
 - Do not overload the cabinet.
 - Only open the door when necessary.
 - This is a self-defrosting appliance. The compressor will not run during the twenty minutes defrost cycle.
 - Do not pull the shelves beyond the anti-stop position when fully loaded.
 - This appliance is intended to be used exclusively for the storage of wine.
 - In the event of a power failure, leave the door closed as much as possible to maintain the internal working temperature. Should the power failure continue for a prolonged period, you should take steps to protect the contents of the wine cooler against a rise in temperature. The wine cooler will remember the selected temperature setting and revert to these setting once the power is restored.

If you require any technical guidance or find that your product is not operating as intended, a simple solution can often be found in the **Troubleshooting** section of these instructions.

Getting to know your Wine Cooler

2



Getting to know your Wine Cooler

You'll be up and running in no time

Ready? Let's begin...

Please read these instructions carefully. They contain important information which will help you get the best from your Undercounter Wine Cooler and ensure safe and correct installation and operation.

If you require any further assistance, our technical experts are happy to help. For full details, refer to the product support section at the end of these instructions.

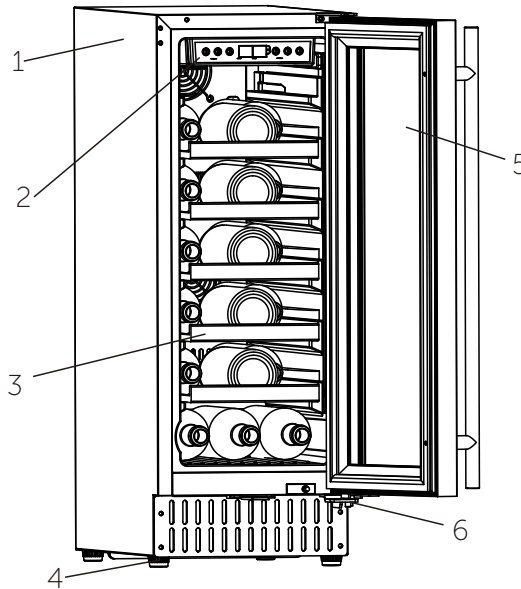
If you require any technical guidance or find that your product is not operating as intended, a simple solution can often be found in the **Troubleshooting** section of these instructions.

Getting to know your Wine Cooler

You'll be up and running in no time



- 1. Cabinet
- 2. Touch control panel
- 3. Wine shelves

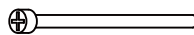


- 4. Levelling feet
- 5. Glass door
- 6. Lower door hinge

Accessories included



Handle x 1



Screws x 2

Full instructions on how to fix the handle can be found on Page 13 of this manual



3 Installing your Wine Cooler



Installing your Wine Cooler

Bringing it all together

Installation requirements

Before starting to use your wine cooler, you should pay attention to the following points:

- Operating voltage for your wine cooler is 220-240V at 50Hz.
- We do not take the responsibility of the damages that occur due to ungrounded usage.
- Do not place your appliance in direct sunlight.
- Your appliance should be at least 50 cm away from stoves, Gas ovens and heaters, and should be at least 5 cm away from electrical ovens.
- Your wine cooler should never be used outdoors or left out in the rain.
- When your wine cooler is placed next to a deep freezer, there should be at least 2 cm between them to prevent humidity on the outer surface.
- Do not place anything on your wine cooler, and install your wine cooler in a suitable place so that there is at least 10mm clearance at the top.
- Before using your wine cooler, wipe all parts with warm water, and then rinse and dry. Place all parts back in the appliance after cleaning.
- This appliance should be placed against a wall with a free distance of at least 30mm.
- The installation of this appliance is best carried out by 2 people.
- Dispose of all packaging carefully and responsibly.
- The appliance is designed for indoor use only and must be protected from rain, moisture and extreme temperature variations.
- This appliance is designed for household use. Do not use the appliance for industrial and commercial use, or any other purpose.
- The appliance MUST be positioned on a firm level base.

Installation of your appliance

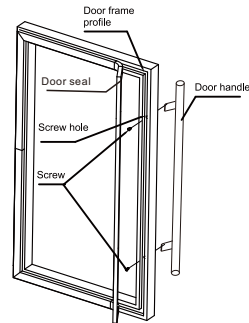
The appliance is designed for built-in, recessed or free standing installation. The minimum space required is : 315mm W x 605mm D X 830mm H (refer to right photo)

IMPORTANT: Failure to follow the instructions regarding installation and ventilation may void the warranty supplied with your appliance.

Installing the stainless steel handle

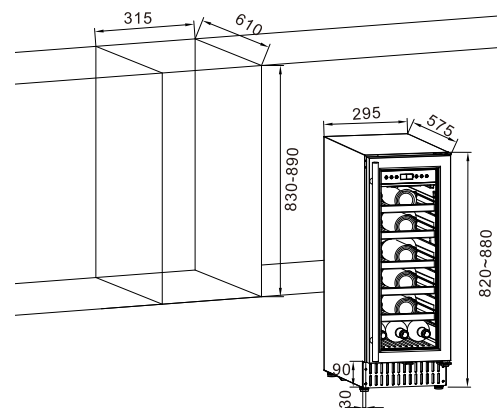
To install the handle, follow the instructions below:

1. Peel back door seal along the right hand side of door. You will find a screw hole at the top and lower of the door where you have peeled the seal back. (please refer to the diagram)
2. Take out the screws from bag at back of cabinet. Put the screws in the hole where the handle is to be installed. (Screw hole position please refer to Point 1).
3. Align the handle with screws, tighten the screws using a screw driver until the handle is both flush and secured tightly against the door side. (DO NOT over-tighten as this may cause damage to the door surface)
4. After handle fixed well, put the door seal back to the door to cover the hole.



Unpacking

- Please make sure that when unpacking your appliance that it is carried out in a safe manner. Ensure the packaging is disposed off in accordance to local regulation.
- Do not allow children to play with the packaging material, e.g. plastic bags and wrappings. **Danger of suffocation.**

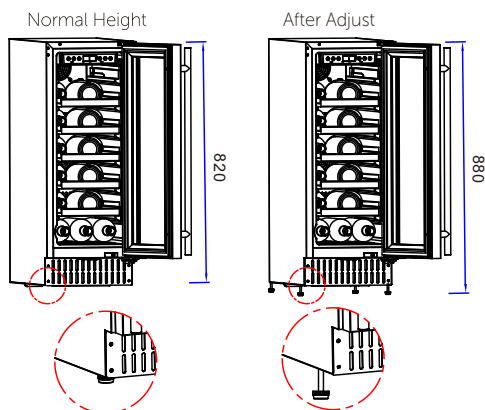


Levelling feet

- The appliance must be installed level in order to work properly. If the unit is not level, the doors and magnetic seal alignments will not be covered properly.
- To level the unit, adjust one or both levelling feet at the base of the unit.

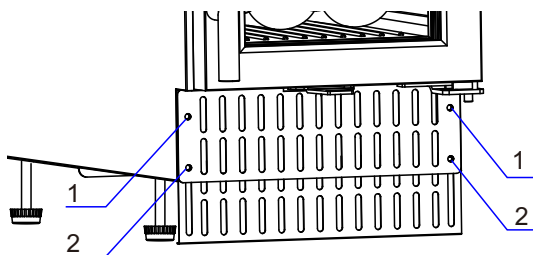
Adjustable feet

This appliance comes with height adjustable feet which allows the appliance to be installed under bench and ensures the appliance is stable and level. Just screw the bottom feet anticlockwise to raise the height up to 880mm or clockwise to lower the height to 820mm. See below photos.

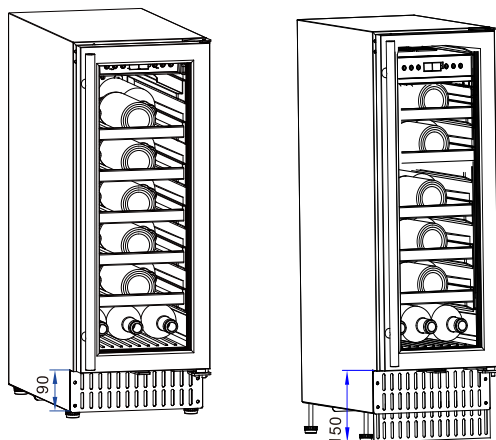


Adjusting the plinth

The pre-fitted plinth for this appliance comes with an adjustable lower section that is initially seated behind the upper section. It helps to hide the feet after it was being adjusted. The process for adjusting the plinth trim is simple and is achieved by following the image and steps below.



1. Remove the screws (1) from both the top left and top right hand sides.
2. Loosen or remove the screws (2) from the bottom left and bottom right hand sides. Failure to sufficiently loosen the bottom screws may cause damage to the lower trim when adjusting it.
3. Carefully guide the lower trim down until the desired height is achieved.
4. Reinsert screw (1) and tighten. Then, tighten or reinsert screws (2).



Each appliance has a climate class (shown on the rating label) where it indicates the temperature range of the appliance operation in place. The appliance may not work properly if it is left for a long period at a temperature outside the specified range.

Climate Class	Amb.T.(°C)	Amb.T.(°F)
SN	10~32°C	50~90°F
N	16~32°C	51~90°F
ST	16~38°C	61~100°F
T	16~43°C	61~110°F

Detail on how to set temperature can be found on Page 18 of this manual.

The plinth could be adjusted from 90mm to 150mm.

If you require any technical guidance or find that your product is not operating as intended, a simple solution can often be found in the **Troubleshooting** section of these instructions,

Installing your Wine Cooler

Bringing it all together

Electrical connection



Any electrical work that is required to install this appliance **MUST** be carried out by a qualified electrician.



Warning: THIS APPLIANCE MUST BE EARTHED

Before making any electrical connections, ensure that:

- Electrical safety is only guaranteed when the earth system of your house in accordance with the related local regulations.
- Do not bend, stretch or pull the supply cable to avoid electric shock.
- Ensure the power socket is suitable for the Maximum power of the machine (fuses in the power circuit must be 13 amp).
- The supply voltage should be the same as that indicated in the technical specifications and the appliance rating plate.
- The appliance should be earthed and in compliance with the applicable law.
- When installed, the power socket must be within easy reach.
- If the socket outlets in your home are not suitable for the plug supplied with this unit check with a qualified electrician for replacement.
- To avoid the risk of overloading your plug socket, the use of adapters, multiple connectors or extension cables are not recommended. The appliance must be connected to a 220-240 volt 50Hz AC supply by mean of a three pin socket, suitably earthed and protected by a 13 amp fuse.
Should the fuse need to be replaced, a 13 amp fuse approved to BS1362/A must be used.
- The plug contains a removable fuse cover that must be refitted when the fuse is replaced. If the fuse cover is lost or damaged, the plug must not be used until a replacement cover has been fitted or the plug is replaced.
- A damaged plug should be cut off as close to the plug body as possible, the fuse should be removed and the plug disposed of safely.

- When positioning the appliance, ensure the supply cord is not trapped or damaged.
- Do not locate multiple portable socket-outlets or portable power supplies at the rear of the appliance.

Plug replacement (UK & Ireland only)

Should you need to replace the plug; the wires in the power cable are coloured in the following way:

Blue - Neutral 'N'

Brown - Live 'L'

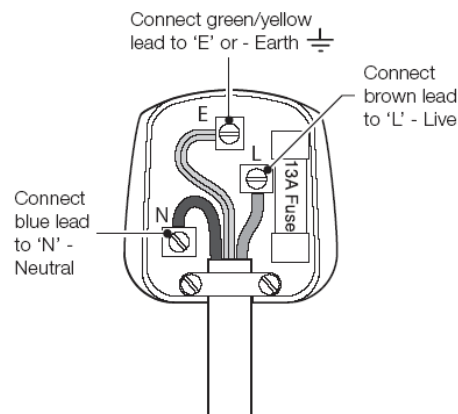
Green & Yellow - Earth 'E'

The green & yellow wire must be connected to the terminal in the plug that is marked with the letter E or by the earth symbol.

The blue wire must be connected to the terminal that is marked with the letter N.

The brown wire must be connected to the terminal that is marked with the letter L.

If power supply cord is damaged, it must be replaced by the manufacturer or its service agent or a similar qualified person in order to avoid a hazard.





4 Using your Wine Cooler



Using your Wine Cooler

Getting the most from your appliance

Before use

Final checks before operating the appliance.

1. Make sure there is sufficient space for air circulation around the appliance. (Please see page 13 of Instruction Manual titled 'Installation requirements' for this information).
2. The feet have been adjusted for perfect leveling.
3. Clean the compartment per recommendation in section "Care and Maintenance".
4. Plug in the appliance and it will start operation to the default temperature setting.
5. The LED display may not show the selected temperature whilst the appliance first gets to the correct temperature. This is normal, and the display will be corrected automatically once the appliance has run for a few hours.
6. If the appliance is switched off, you should allow five minutes before switching it on again to prevent the risk of unnecessary damage to the compressor.

Please note :

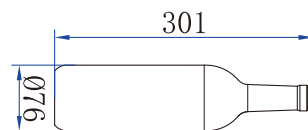
The appliance will work continuously until it gets to correct temperature. Continuous noise from the compressor and refrigeration system is normal, this is not a defect.

Arranging wine in your wine cooler.

- Before putting the wine into the wine cooler, please ensure the shelves are correctly in place.
- Adjust the temperature of the wine cooler.
- Allow several hours to let bottles reach the desired temperature.
- Fill the wine cooler with your choice of wine bottle. Lay the wine bottles in a horizontal position and ensure they sit on the shelf securely (see diagram).

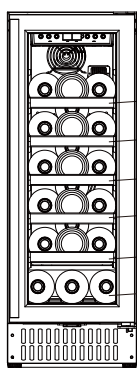


Figure A



Please be aware that this wine cooler is designed to fit 0.75 litre Bordeaux style wine bottles (see bottle dimension). Using different size bottles in the wine cooler may prevent the door from closing, and limit the space between shelves and between bottles. When using a different size wine bottle we recommend to take out a shelf or rearrange the bottles to suit the wine bottle size.

- Do not exceed the capacity that the appliance is able to handle. Follow below bottle loading diagram.



- shelf 1
- shelf 2
- shelf 3
- shelf 4
- shelf 5
- bottom

Diagram for shelf 1-5 loading

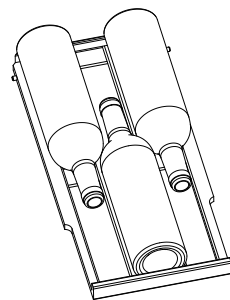
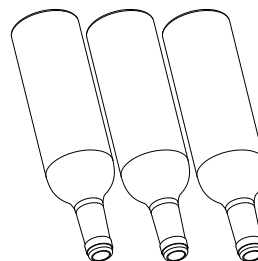


Diagram for bottom loading



Shelf 1-5 : Loading diagram for 3 bottles on each shelf , max loading 3 bottles only.

Bottom : 3 bottles place at bottom directly, no shelf, max loading 3 bottles only.

Caution:

Condensation may be found on the glass door during summer time or humid temperatures. This is normal. Wipe it with a damp cloth.

Remove the shelves

To remove a shelf from the wine cooler, first remove all bottles from the shelf, then pull out the shelf until it stops. Lift up the inner end of the shelf up, then the whole shelf can be pulled out from the cooler.

or online at www.bush-support.co.uk If you still require further assistance, call one of our experts on **01759 487838**.

Defrosting

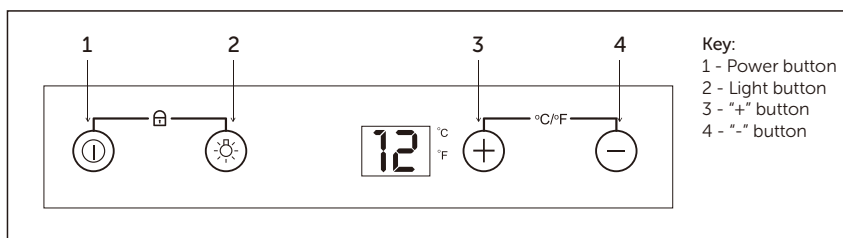
The wine cooler is designed to defrost automatically every 4 hours. The defrost process will last for 20 minutes. During defrost, the compressor stops working and fan keeps on running for 20 minutes.

Door alarm

The wine cooler is equipped with an alarm that will sound if the door is open for more than 60 seconds. Close the door or press any key once to switch off the alarm.

Controls

It is recommended that you install appliance in a place where the ambient temperature is between 16°C - 32°C. If the ambient temperature is above or below recommended temperature, the performance of the unit may be affected. For example, placing your unit in extremely cold or hot conditions may cause interior temperatures to fluctuate. The operation temperature range may not be reached.



To switch the power on/off

- Press and hold the power button for 6 seconds to switch the wine cooler on.
- Press and hold the power button for 6 seconds again to switch the wine cooler off.

To change the temperature

- Continue to press the "+" or "-" buttons until the required temperature is shown on the display
- The preset temperature is 12°C/54°F.
- To change the temperature display from Fahrenheit to Celsius, or Celsius to Fahrenheit, press "+" and "-" button at the same time for 2 seconds. Tips, please see the "°C/°F" symbol on control panel.
- The display shows the current internal temperature when the wine cooler is on.

Optimal temperature selection

- Whilst wine is best stored at temperatures between 13 and 15°C, your wine can also be stored at drinking temperature. As a guide for red wine this is between 15 and 17°C, and for white wine between 12 and 13°C.

To use the internal light

- Press the light button to switch the light on or off.
- To turn the light ON when door opens, press the light button for 6 seconds, the display will show 'OP' which means door controls function is ON
- To turn the light function OFF, press the light button for 6 seconds, the display will show 'CL', which means the door control function is OFF.

To lock the whole panel

- Press power button and light button at the same time for one second, all the buttons on panel will be locked.
- Press power button and light button once again, all the buttons will be unlocked.

Tips, please see the "🔒" symbol on control panel.

Care and maintenance 5



Care and maintenance

Looking after your appliance

Cleaning your appliance

- Make sure you unplug the wine cooler before starting to clean it.
- Do not pour water directly over your appliance.
- You can wipe the inner and outer sides with a soft cloth.
- Remove parts individually and clean by hand with soapy water. Do not place in dishwashers.
- Never use flammable, explosive or corrosive material for cleaning your appliance
- Dust behind the cooler and on the ground shall be timely cleaned to improve the cooling effect and energy saving.
- The interior of the cooler should be cleaned regularly to avoid odor.
- Check the door gasket regularly to make sure there are no debris.
- Please turn off the power before cleaning, remove all shelves.
- Clean the door gasket with mild soap and water.
- Use a soft cloth or sponge to clean the inside of the cooler, with two tablespoons of baking soda and a quart of warm water. Then rinse with water and wipe clean, and open the door and dry it naturally before the power is turned on.
- Do not use soap, detergent, scrub powder, spray cleaner, etc., as these may cause odors in the interior of the cooler.
- Clean the bottle frame and shelves with a mild detergent and dry with a soft cloth.
- Wipe the outer surface of the cooler with a soft cloth dampened with soapy water, detergent, etc., and then wipe dry.
- Do not use hard brushes, steel wool, wire brushes, abrasives, or solvents like, alcohol or acetone, boiling water, acids or alkaline to clean this appliance, as it may damage or deform the surface or interior.
- Do not rinse with water so as not to affect the electrical insulation properties.

Light bulb replacement

The internal light is a LED type. To replace the lamp, please speak to after sales service provider.

Power Failure

If the power failure lasts for up to 24 hours, keep the door closed. This will allow the stored bottles to stay cold as long as possible. If it lasts longer than 24 hours, it is advised to empty the wine cooler compartment and temporarily store the bottles in a portable wine chiller.

Short vacation

There is no need to disconnect the appliance from the mains if you will be away for two to three weeks.

Long vacation

Remove all the wine if you are away for three weeks or more. Unplug the appliance and leave the doors open to provide air circulation to prevent odour and mould.

If the refrigerating appliance is left empty for long periods, switch off, defrost, clean, dry, and leave the door open to prevent mould developing within the appliance.

Care and maintenance

Looking after your appliance

Technical specification

Model	WC18
Fridge capacity	60L
Bottles capacity	18 bottles
Voltage and frequency	220-240V AC/50Hz
Protection class	I
Climate class	N
Energy consumption	0.5kWh/24h
Rated current	0.5A
Rated lamp power	1W
Refrigerant	R600a/15g
Energy rating	B
Size WxDxH (mm)	295x575x820

We apologise for any inconvenience caused by minor inconsistencies within these instructions that may occur due to product improvements and development. All images and drawings are for illustration purposes only.

This page is left intentionally blank

Product support

6



Product support

Help is always at hand

Troubleshooting

DO NOT ATTEMPT TO REPAIR THIS WINE COOLER YOURSELF. CALL BUSH PRODUCT SUPPORT ON 01759 487838

PROBLEM	SOLUTION
THE DOORS DO NOT CLOSE PROPERLY	<ul style="list-style-type: none">-Ensure there are no obstructions preventing door closure.-Check the door compartments and shelves are correctly in place.-Check the door seal is not warped or torn.-Check the appliance is level.
UNUSUAL NOISES	<ul style="list-style-type: none">-Check that the appliance is on a flat, level surface and is stable.-Check the spacing's around the appliance and ensure it is not touching other items.-Bubbling and gurgling sound: This noise is emitted as the coolant fluid flow through the pipes within the system. This is normal.-Contraction and expansion of the inside walls may cause popping and cracking noises.
THE COOLER DOOR WILL NOT OPEN	<ul style="list-style-type: none">-If the door has just been opened, leave it for a few minutes to allow the air pressure to equalise before trying again.
THE COMPRESSOR RUNS CONSTANTLY	<ul style="list-style-type: none">-The temperature is set too cold: select a lower (warmer) setting.-The door is open, or something is obstructing proper door closure.-The room temperature is hotter than usual.
THE EXTERNAL FRIDGE SURFACE IS WARM	<ul style="list-style-type: none">-The exterior walls can be warmer than room temperature. This is normal while the compressor works to transfer heat from inside the bottle cabinet.
SMELLS/ODOURS	<ul style="list-style-type: none">-Check all the drinks that are in the cooler are in date and correctly packaged. Please remove anything that may be spoiled and repack if necessary.-Check for spillages throughout the cooler. Spillages may cause odours if left unwashed. Wash accordingly to the manufacturers advise.

If you require any technical guidance or find that your product is not operating as intended, a simple solution can often be found in the **Troubleshooting** section of these instructions.

Product support

Help is always at hand

Help and assistance

If you require any technical guidance or find that your Wine Cooler is not operating as intended, a simple solution can often be found in the **Troubleshooting** section of these instructions or online at www.bush-support.co.uk

If you still require further assistance, call one of our experts on **01759 487838***. To help give us give you a fast and efficient service please have the following information ready:

Model Ref.	<input type="text"/>	You can find these on the rating plate - a small information panel (usually a sticker or metal plate) on the rear of your appliance
Serial number	<input type="text"/>	
Date of purchase	<input type="text"/>	This will be shown on your receipt

Local call rates applies*

Lines open 8am-7pm Monday to Saturday and 10am-4pm Sunday.

*Calls to BUSH enquiry lines may attract a charge and set up fee from residential lines depending on your call plan/tariff. Mobile and other providers costs may vary, see www.bt.com/pricing for details.

For Security and training purposes, telephone calls to and from customer service centres maybe recorded and monitored. Calls from Republic of Ireland will attract international call charges.

Product support

Help is always at hand

Declaration of conformance to product standards

This appliance conforms to all relevant standards applicable to domestic appliances sold in the UK

Disposal



This appliance/fitting is marked according to the European directive 2012/19/EU on Waste Electrical and Electronic Equipment (WEEE).

By ensuring this product is disposed of correctly, you will help prevent potential negative consequences for the environment and human health, which could otherwise be caused by inappropriate waste handling of this product.

The symbol on the product, or on the documents accompanying the product, the **crossed out wheellie bin** symbol, indicates that this appliance/fitting may not be treated as household waste. Instead it shall be handed over to the applicable collection point for the recycling of electrical and electronic equipment.

Disposal must be carried out in accordance with local environmental regulations for waste disposal.

For more detailed information about treatment, recovery and recycling of this product, please contact your local authority, your household waste disposal service or the retailer where you purchased the product.

Old fridges and freezers contain isolation material and refrigerant with CFC. Therefore, take care not to harm the environment when you are discarding your old fridges.



Call us now and activate your 12 month guarantee

Thank you for choosing Bush. Your new product is guaranteed against faults and breakdowns for 12 months. Don't forget to register it with us today so we can provide you with our best possible after-sales service and useful updates.

www.bushregistration.co.uk

FREEPHONE*

0800 597 8548

Lines are open 8am - 8pm, 365 days a year. *Calls may be recorded and monitored.

Your Bush Guarantee

This product is guaranteed for twelve months from the date of original purchase. Any defect that arises due to faulty materials or workmanship will be repaired free of charge (or if applicable the product will be replaced or the purchase price refunded) where possible during this period by the dealer from who your purchased the unit.

The guarantee is subject to the following provisions:

- The guarantee does not cover accidental damage, misuse, cabinet parts, knobs or consumable items.
- The product must be correctly installed and operated in accordance with the instructions contained in the manual.
- It must be used solely for domestic purposes. The guarantee will be rendered invalid if the product is re-sold or has been damaged by inexpert repair.
- Specifications are subject to change without notice.
- Bush disclaim any liability for loss or damage arising from the breakdown of the product.
- This guarantee is in addition to and does not diminish your statutory or legal rights.

Important Data Protection Information

To find out how we and Domestic & General Insurance PLC use your data, please refer to the guarantee registration material or visit www.bushregistrations.co.uk

Guarantor: Argos Limited - 489 - 499 Avebury Blvd. - Milton Keynes - MK9 2NW

or online at www.bush-support.co.uk If you still require further assistance, call one of our experts on **01759 487838**.

BUSH

Contact:

www.bush-support.co.uk

Helpline: **01759 487838**