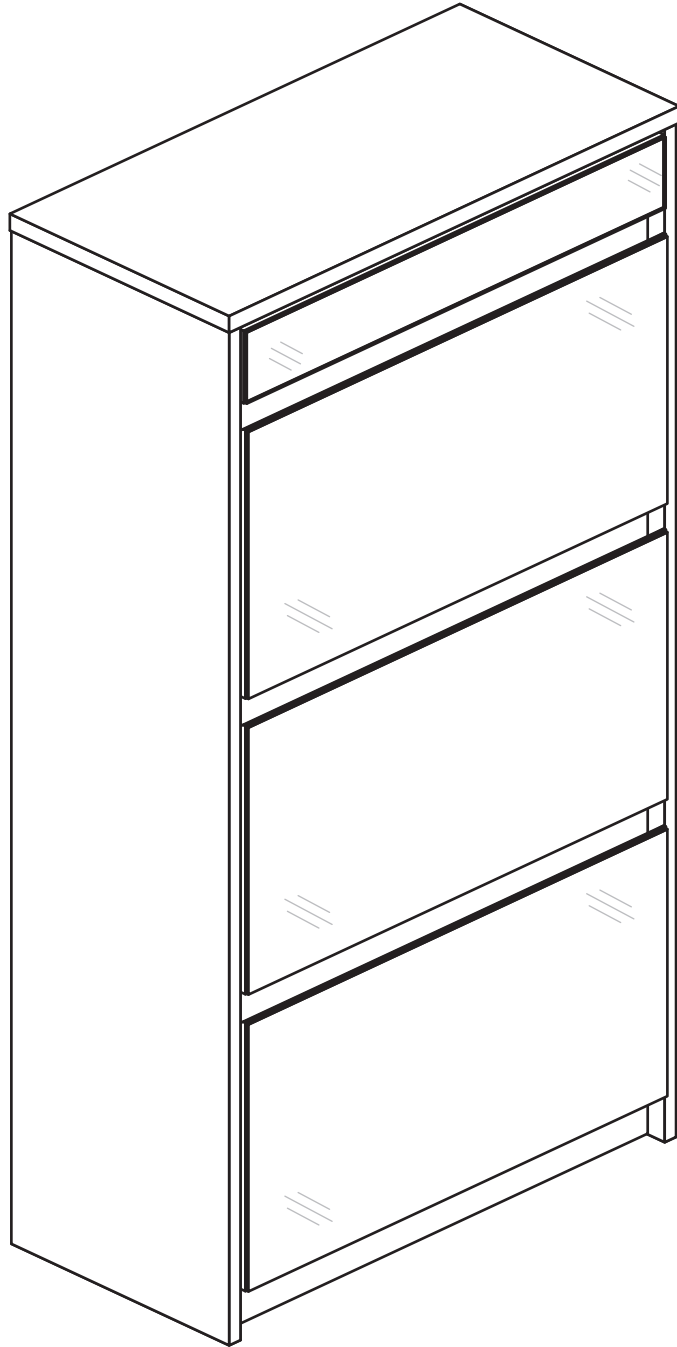


Jenson

Mirror

940/0371



Spare Parts

Visit: www.argos-support.co.uk

Email: Help@ClickSpares.co.uk

Call: 0330 016 1114

Customer Support

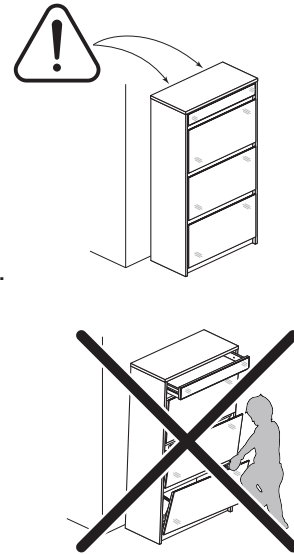
Call: 0345 640 2020

Safety

Important - Please read these instructions fully before starting assembly

- Warning: This unit weighs approximately 34kgs. Please lift with care.
- Assembly to be carried out by a competent adult only.
- During assembly children should be kept away from the product due to possible risk of injury.
- Installation shall only be carried out exactly according to the manufacturer's instructions - otherwise a safety risk can occur if incorrectly installed.
- Do not use this item if any components are missing or damaged.
- Regularly check all fastenings to ensure they are properly tightened.

- **WARNING:** To prevent possible overbalancing this unit must be secured to a wall using the 2 overbalance protector kits supplied.
- A unit that is allowed to topple can cause serious or fatal injury. In addition to wall fixing the unit, place heavy items on the lower shelves, do not put any heavy objects on top of the unit and never allow children to climb or hang on drawers, doors or shelves.



- Refer to guide after section 18 for wall fixing information.

Care Advice

- Check you have all the components and tools listed on relevant pages.
- Remove all fittings from the specified plastic bag and separate them into their groups.
- Parts of the assembly will be easier with 2 people.
- Make sure you have enough space to layout the parts before starting.
- Do not stand or put weight on the product, this could cause damage.

- Assemble the item as close to its final position (in the same room) as possible.
- Assemble on a soft level surface to avoid damaging the unit or your floor (use opened out unit carton).



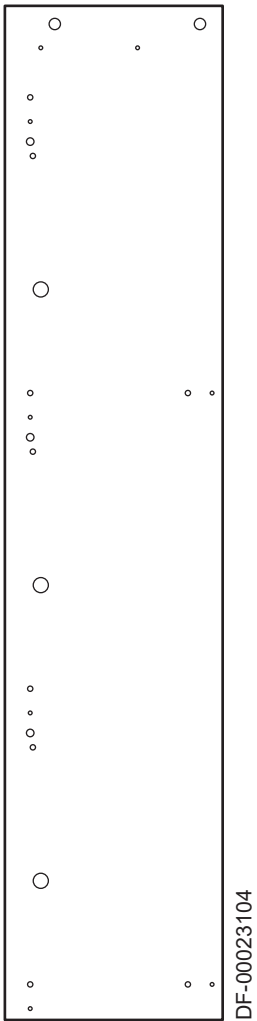
- Assembly videos are available throughout these instructions by scanning in the QR codes.



- We do not recommend the use of power drill/drivers for inserting screws, as this could damage the unit. Only use hand screwdrivers.
- Dispose of all packaging carefully and responsibly.
- Only clean with a damp cloth.

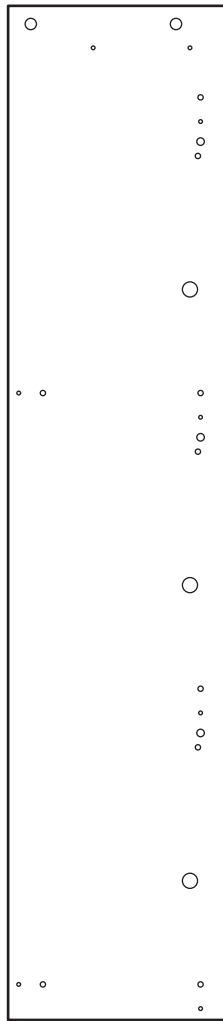
Cabinet Panels

Please remove protective film from any gloss panels



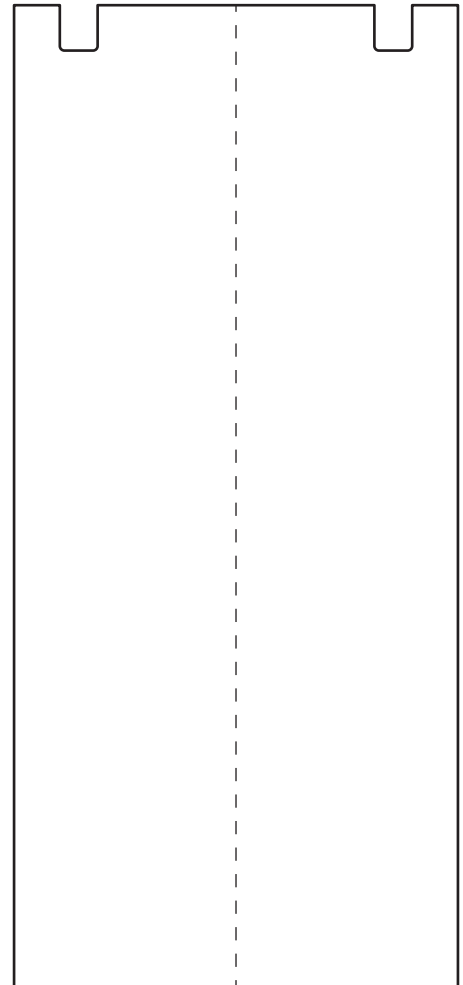
DF-00023104

1 137.1 x 28.8cm



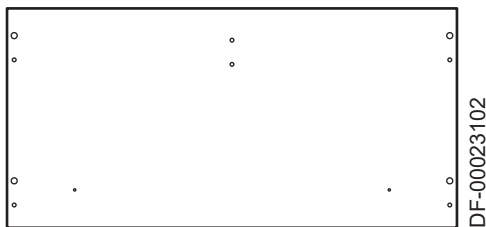
DF-00023105

2 137.1 x 28.8cm



XDF-00022219

3 135.3 x 58.7cm



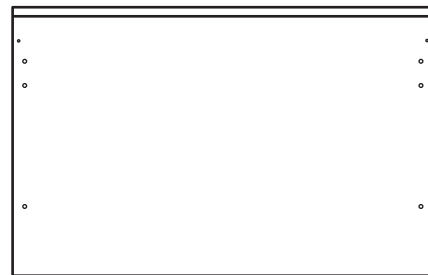
DF-00023102

4 59.5 x 29cm



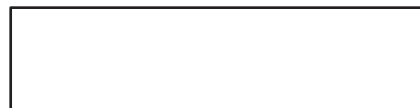
DF-00023103

5 56.1 x 5.8cm X 6



DF-00023802

6 55.6 x 35.5cm X 3



DF-00022241

7 54.9 x 14cm X 6

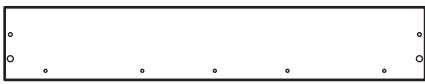


DF-00022244

8 54.9 x 8.7cm X 3

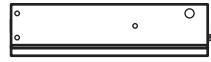
Drawer Panels

Note: the internal drawer panels are grey



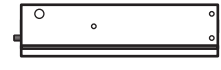
DF-00023808

9 55.6 x 9.6cm



WRP-00000474

10 26 x 6.8cm



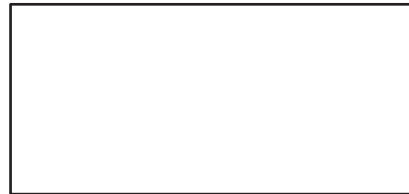
WRP-00000473

11 26 x 6.8cm



WRP-00000475

12 52.85 x 6.8cm



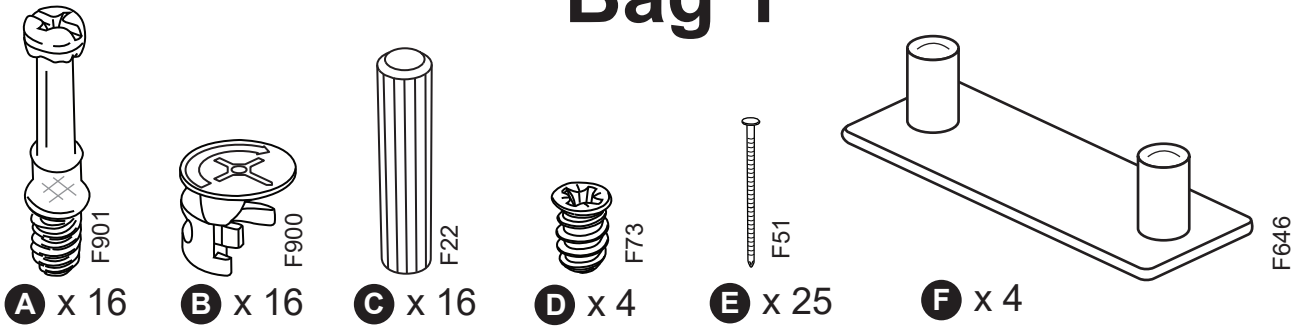
TDF-00022552

13 53.95 x 25.1cm

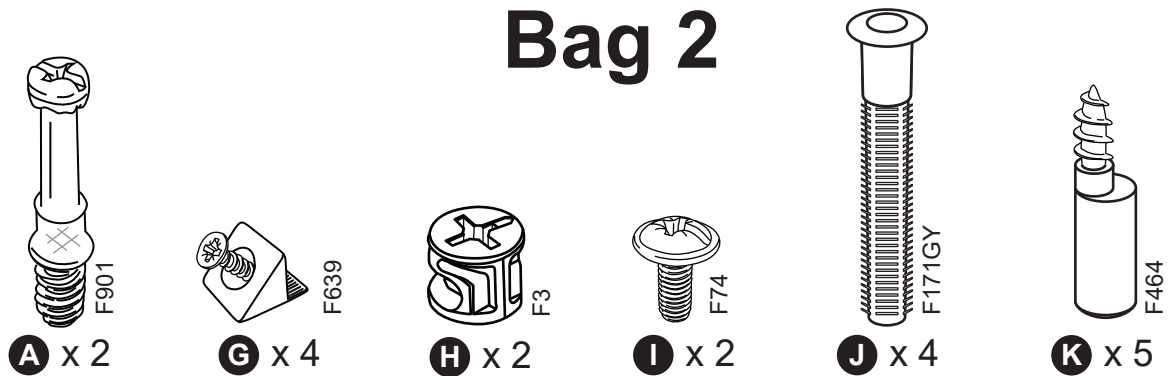
Fittings

Use these drawings to correctly identify the fittings

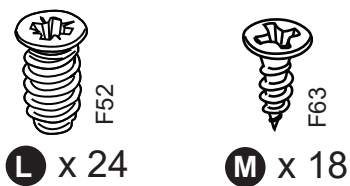
Bag 1



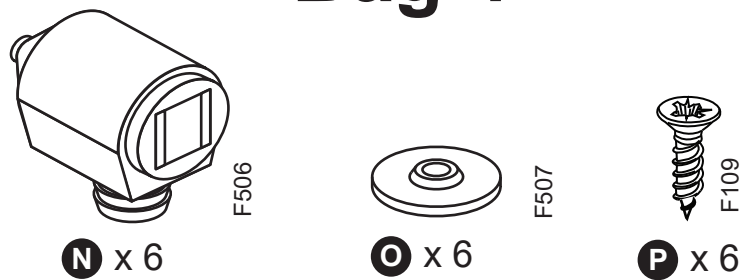
Bag 2



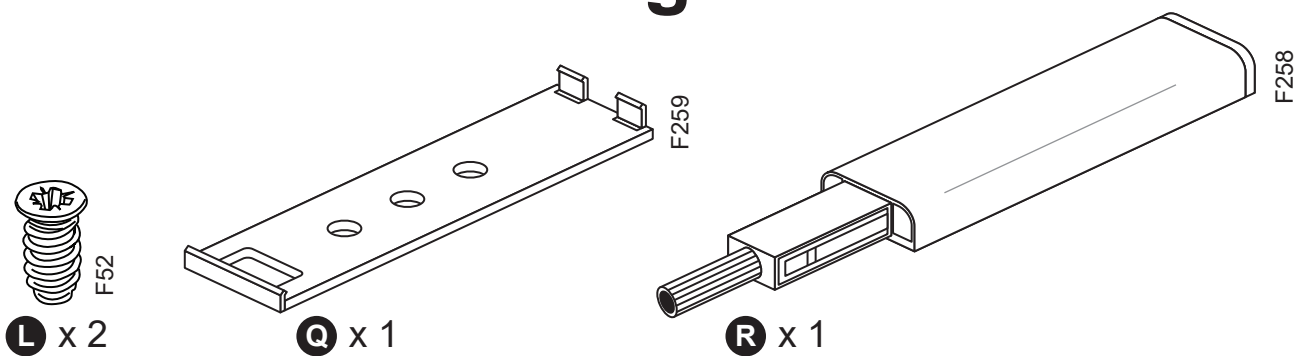
Bag 3



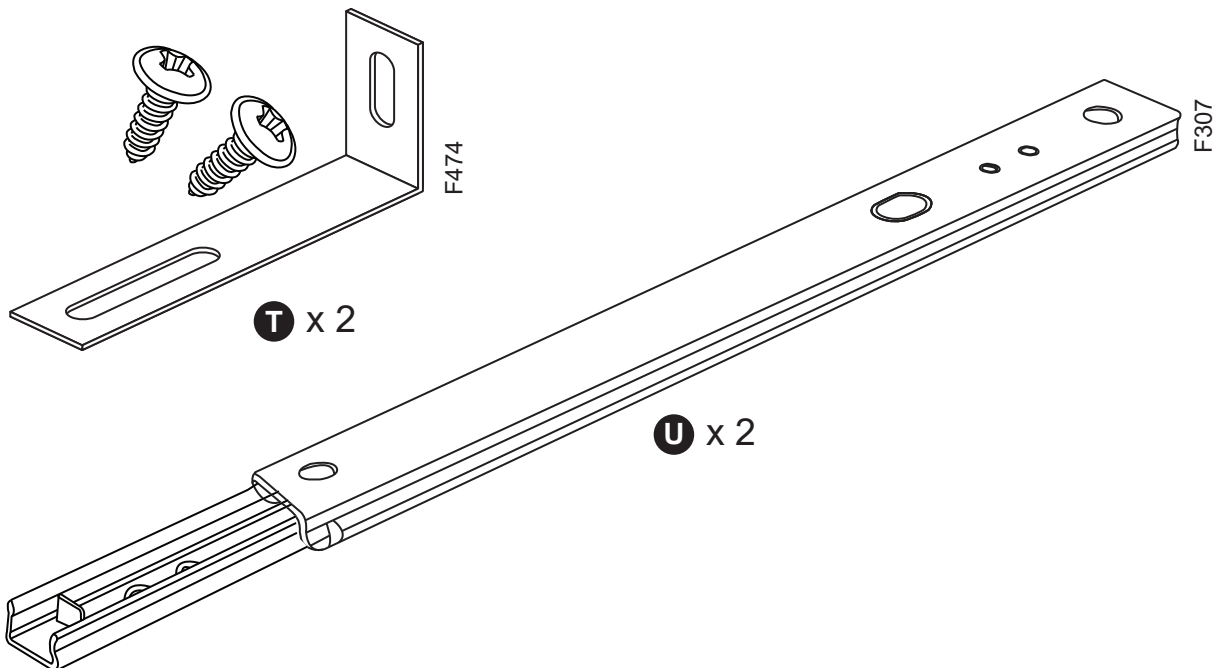
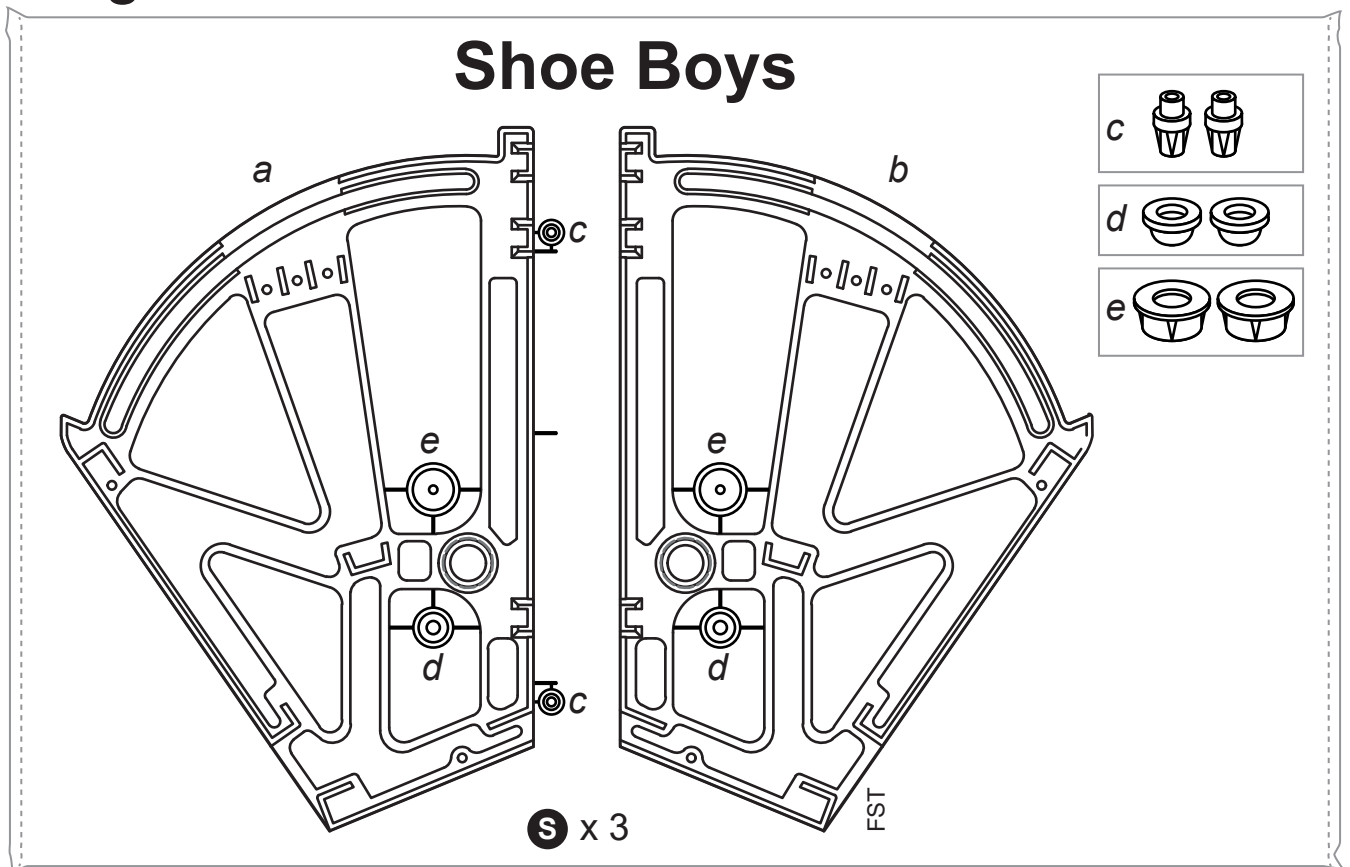
Bag 4



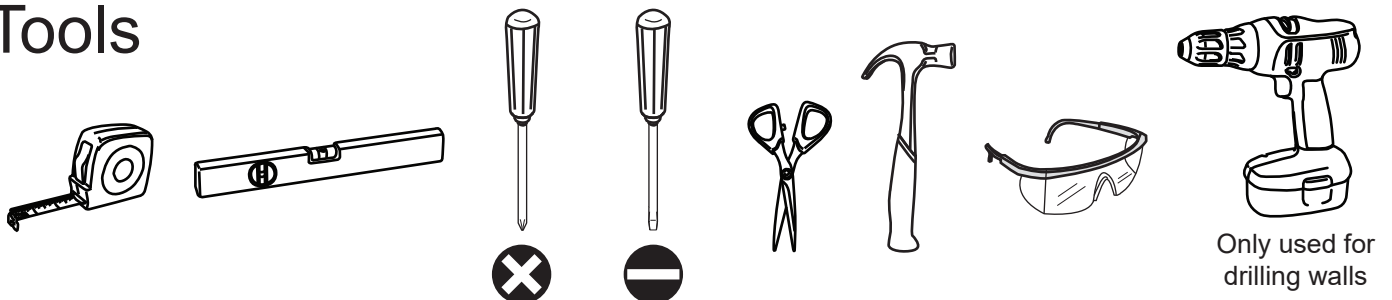
Bag 5



Fittings



Tools

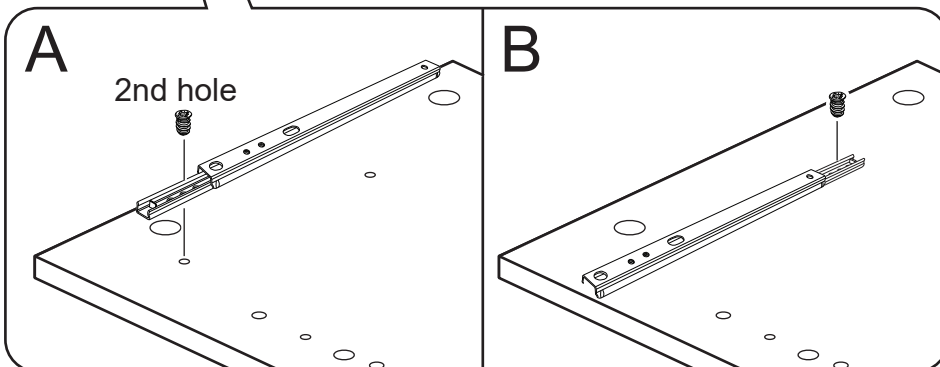
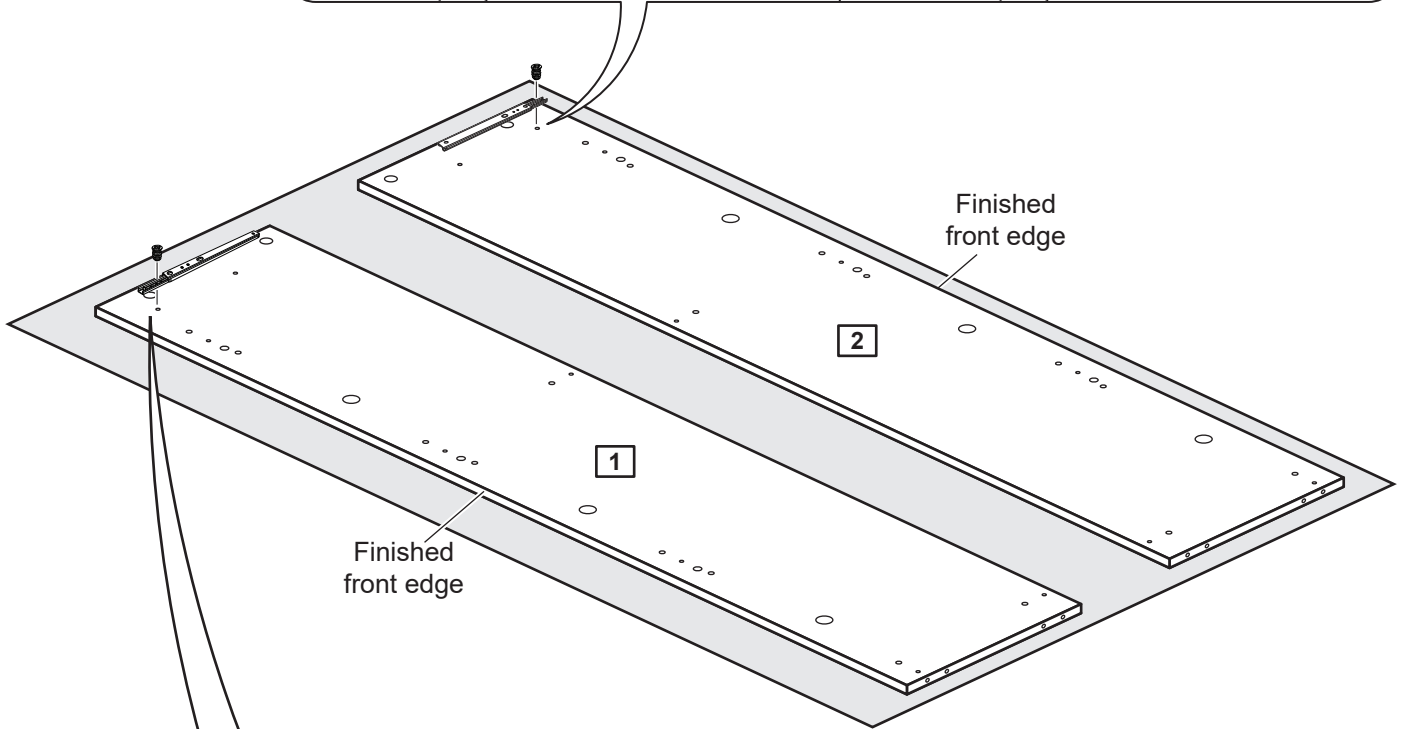
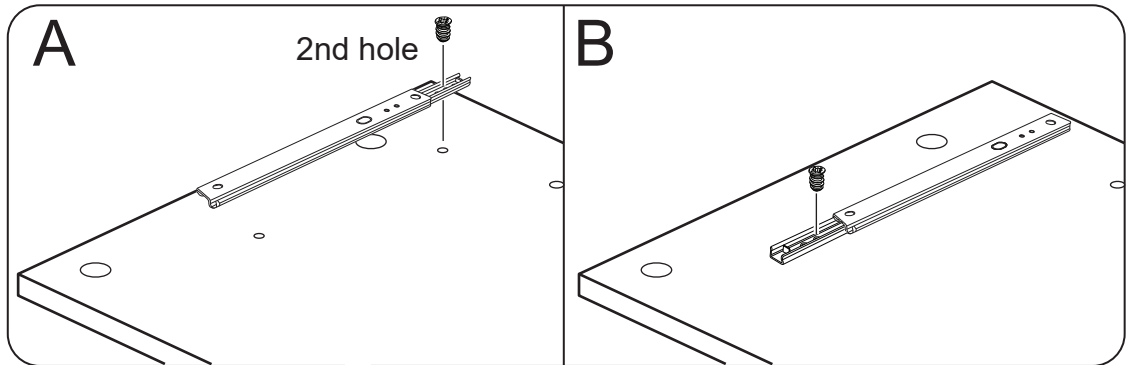
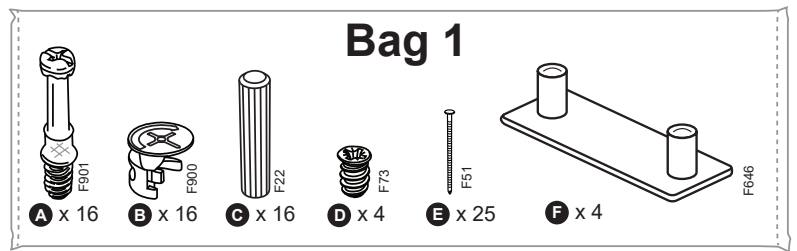
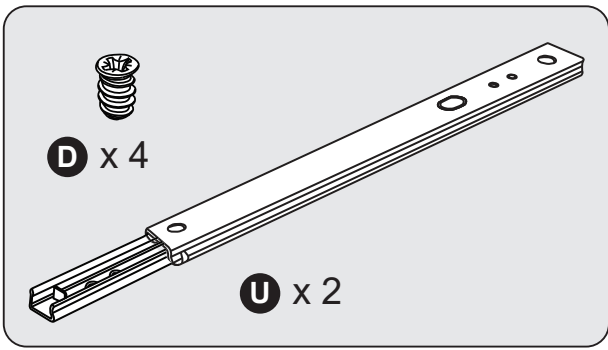


1

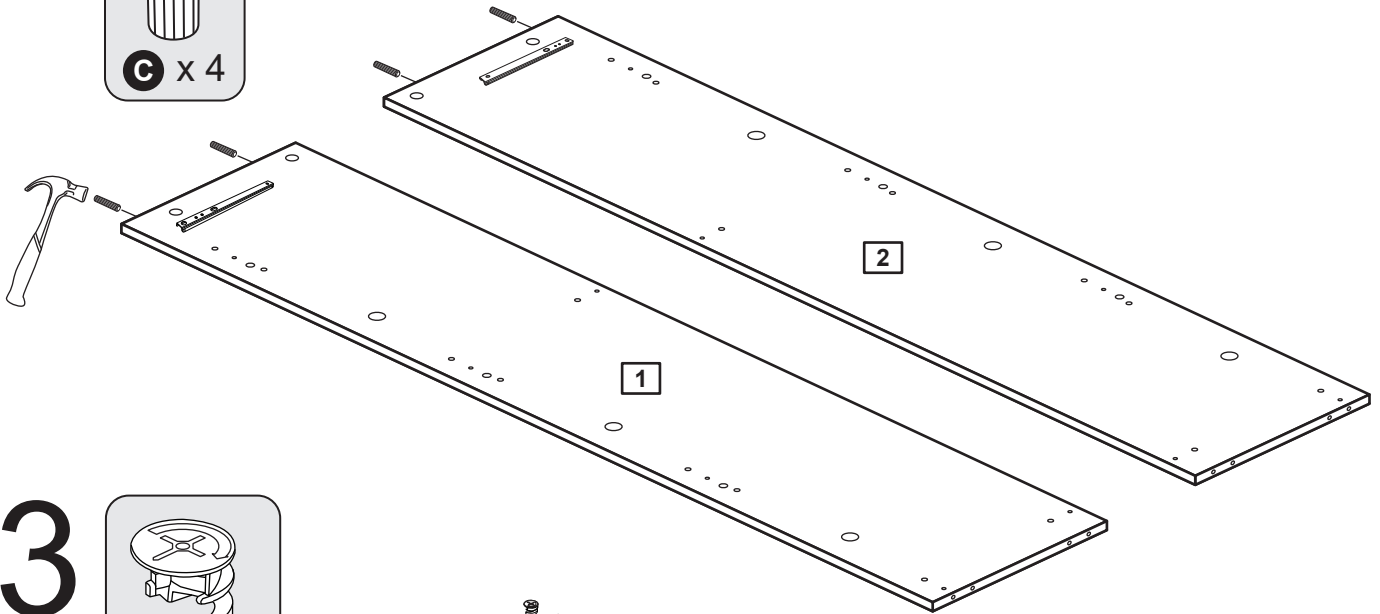
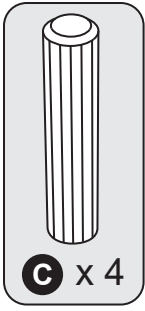


Fitting Ball Bearing Runners

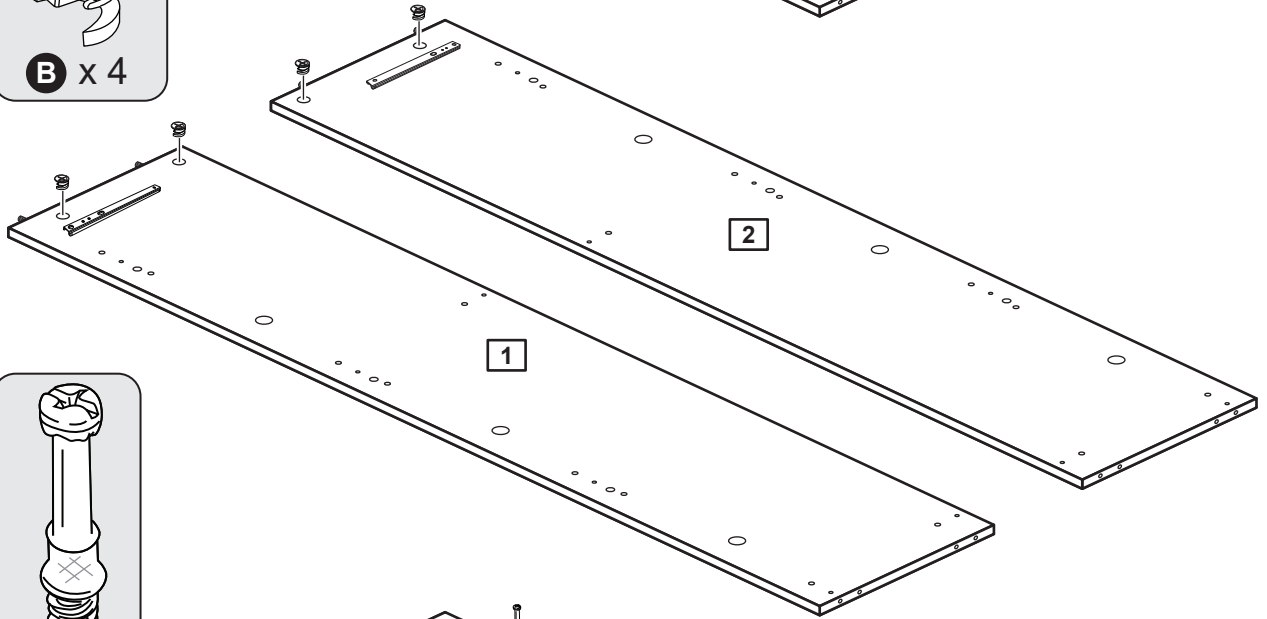
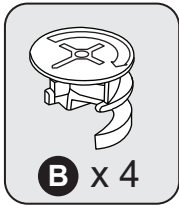
www.youtube.com/watch?v=yG4xtiJJeSg



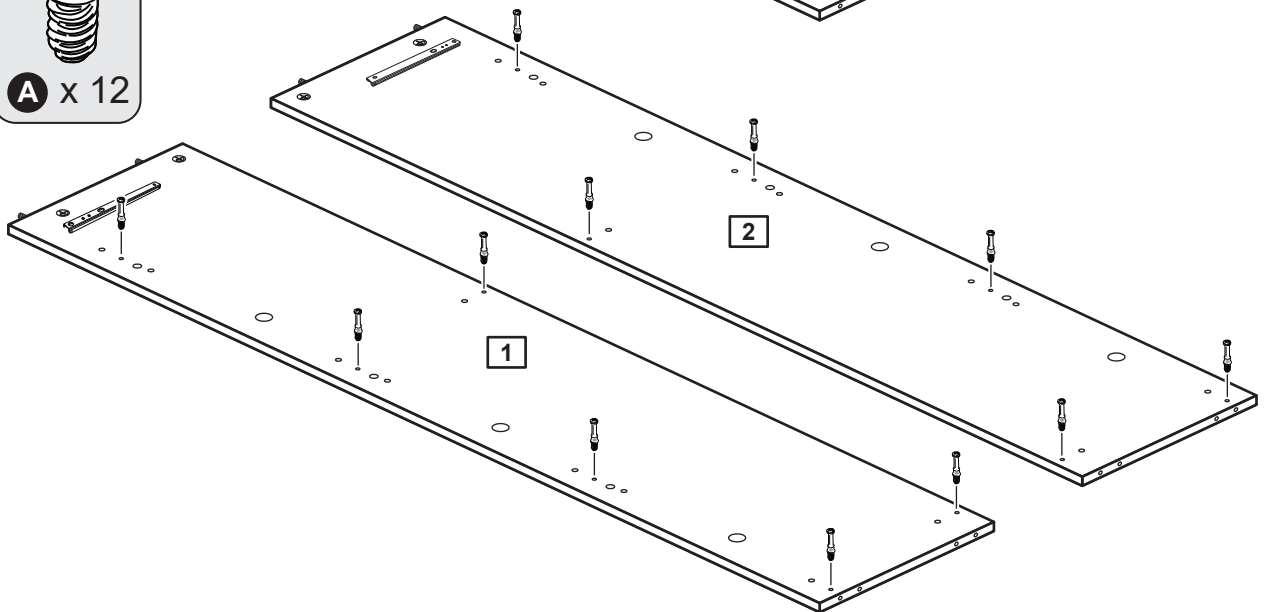
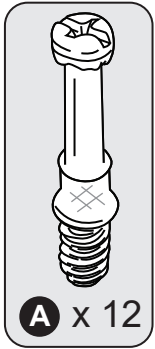
2



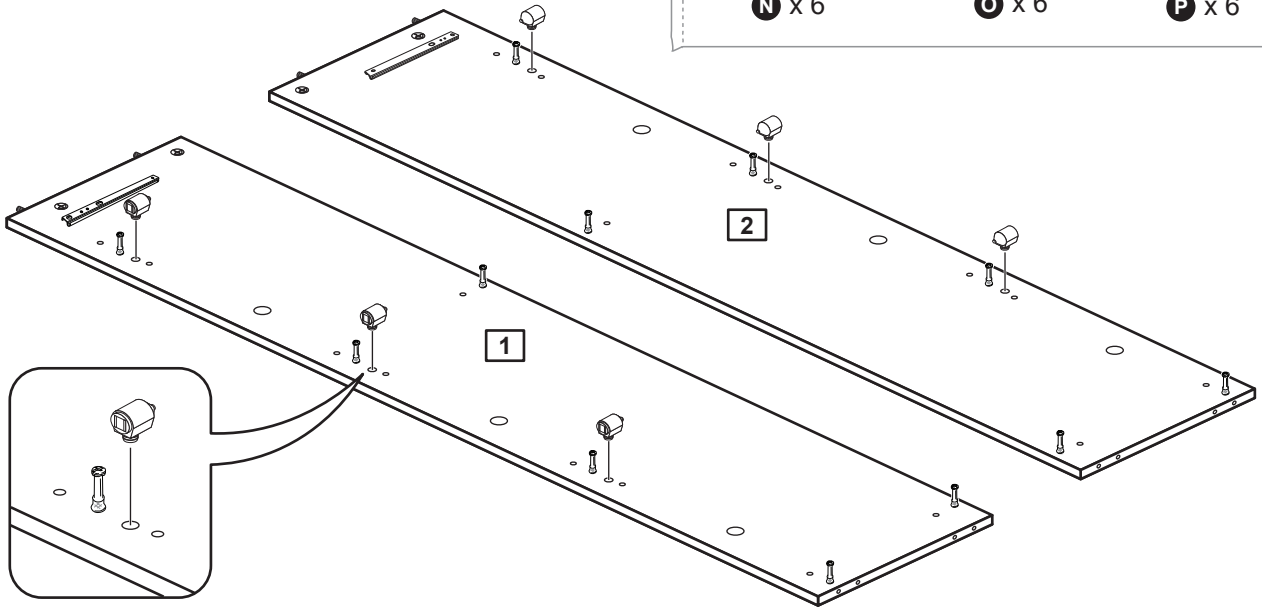
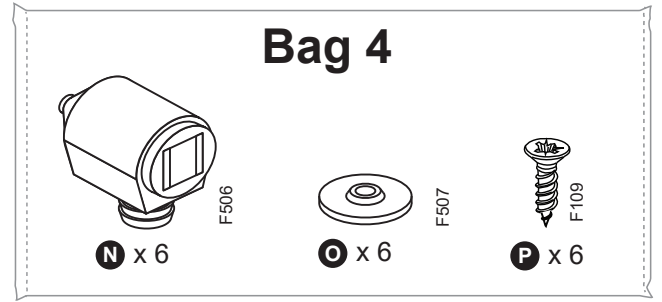
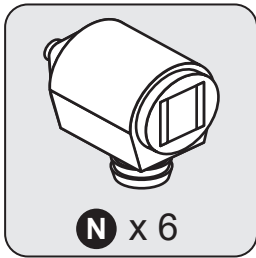
3



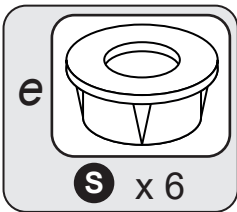
4



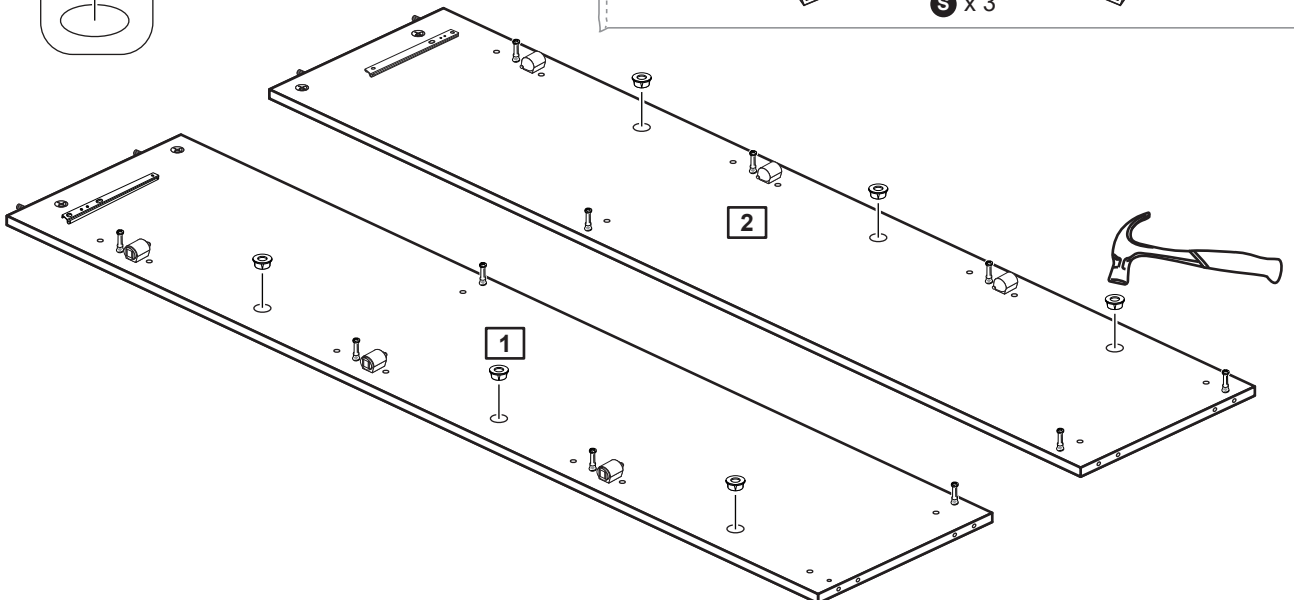
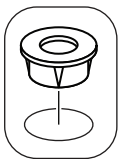
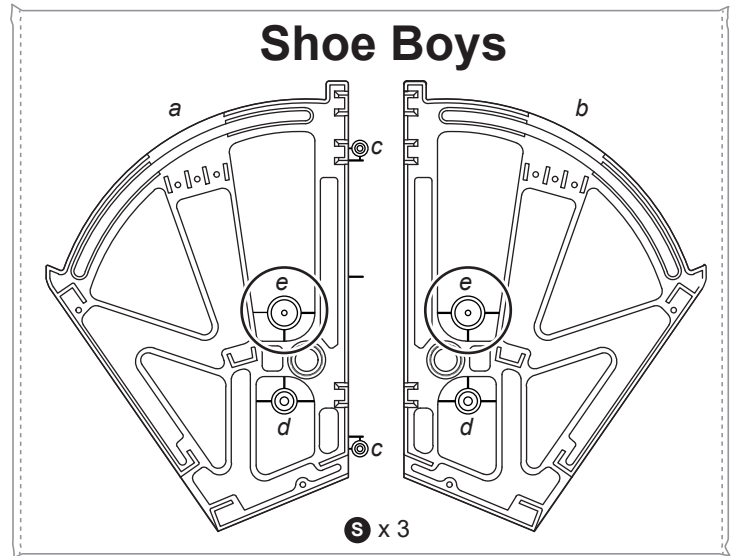
5



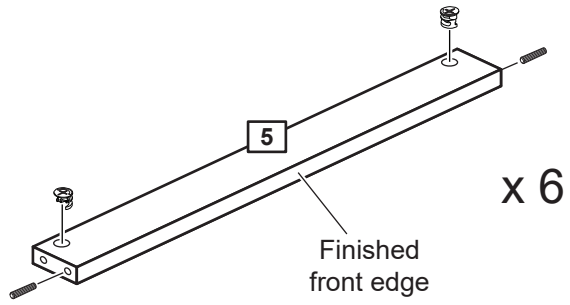
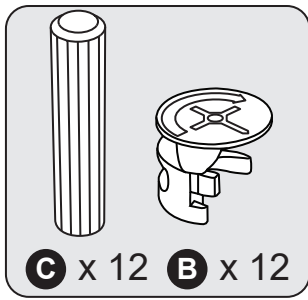
6



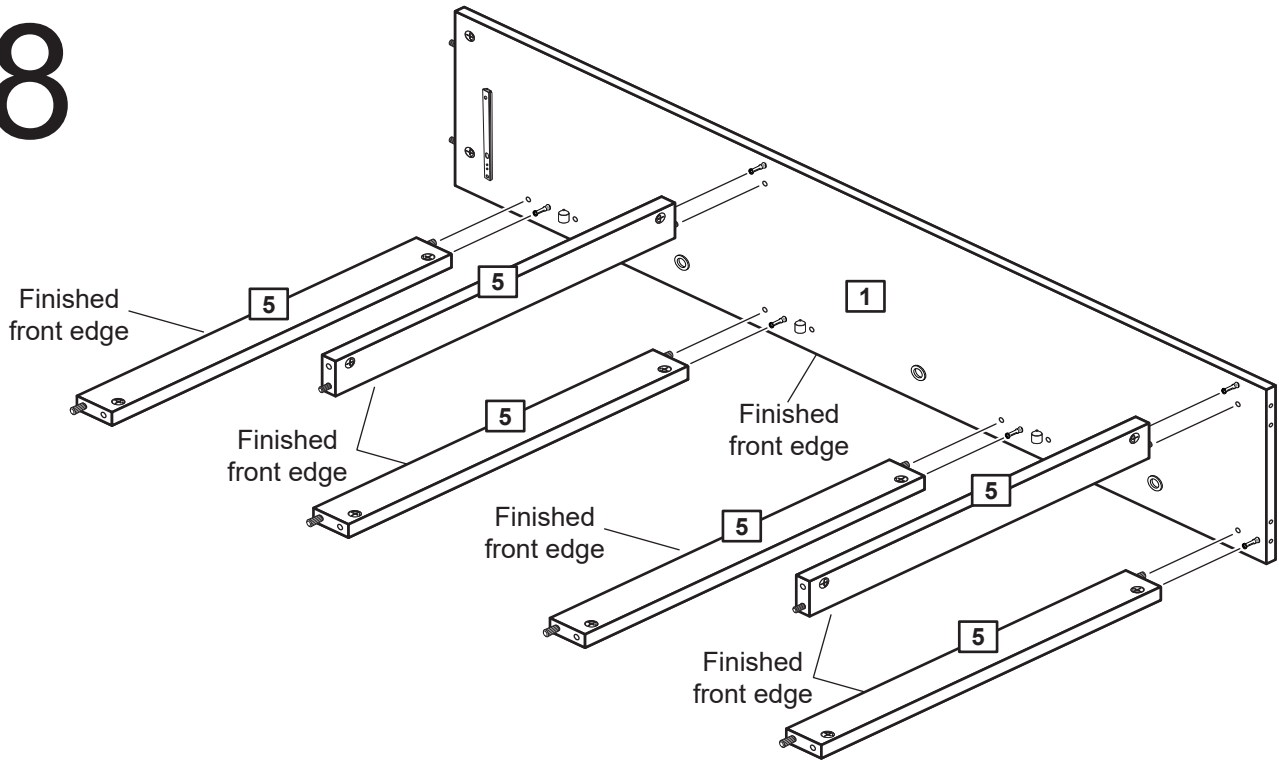
IMPORTANT:
Carefully snap off
these fittings from
the Shoe Boys



7

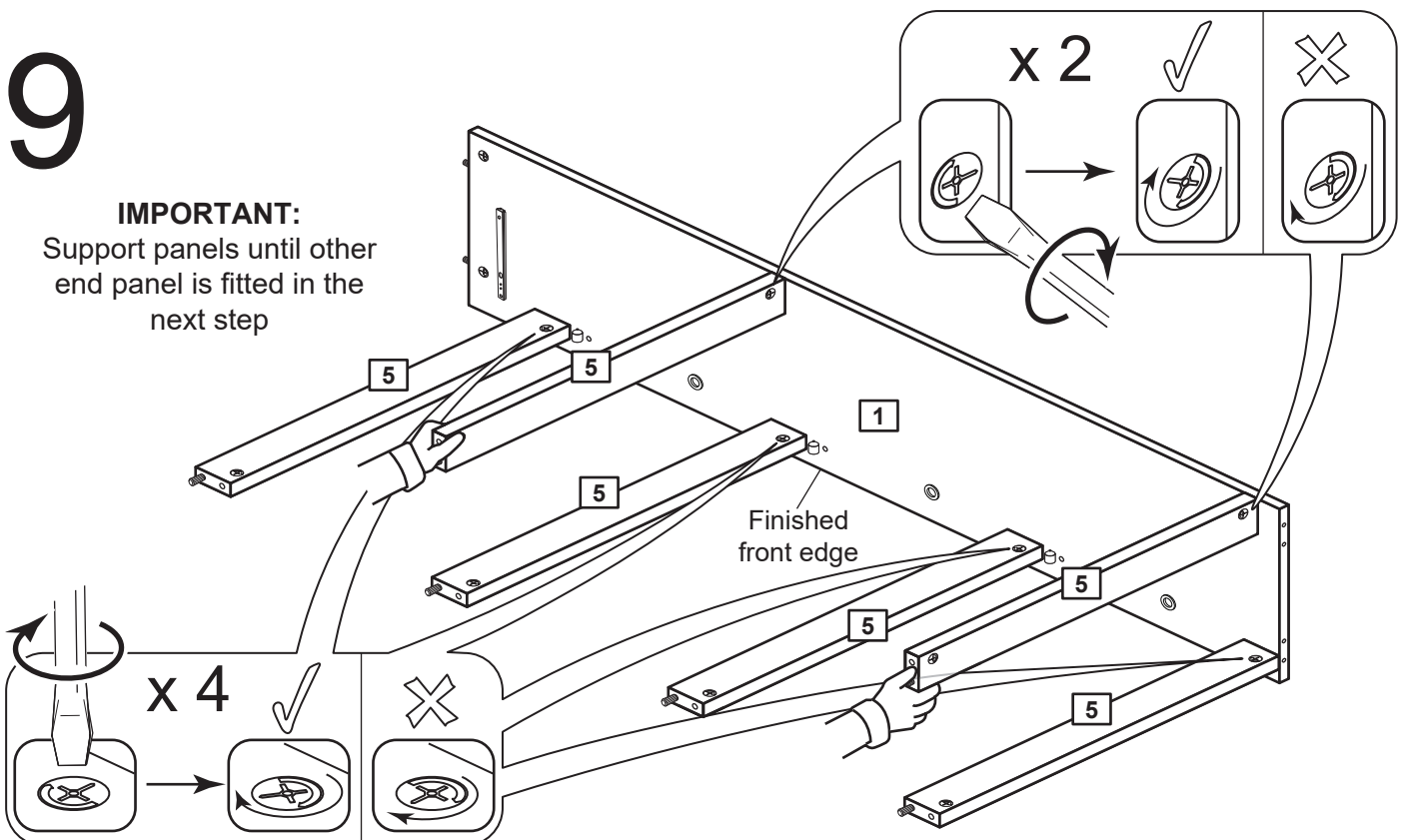


8

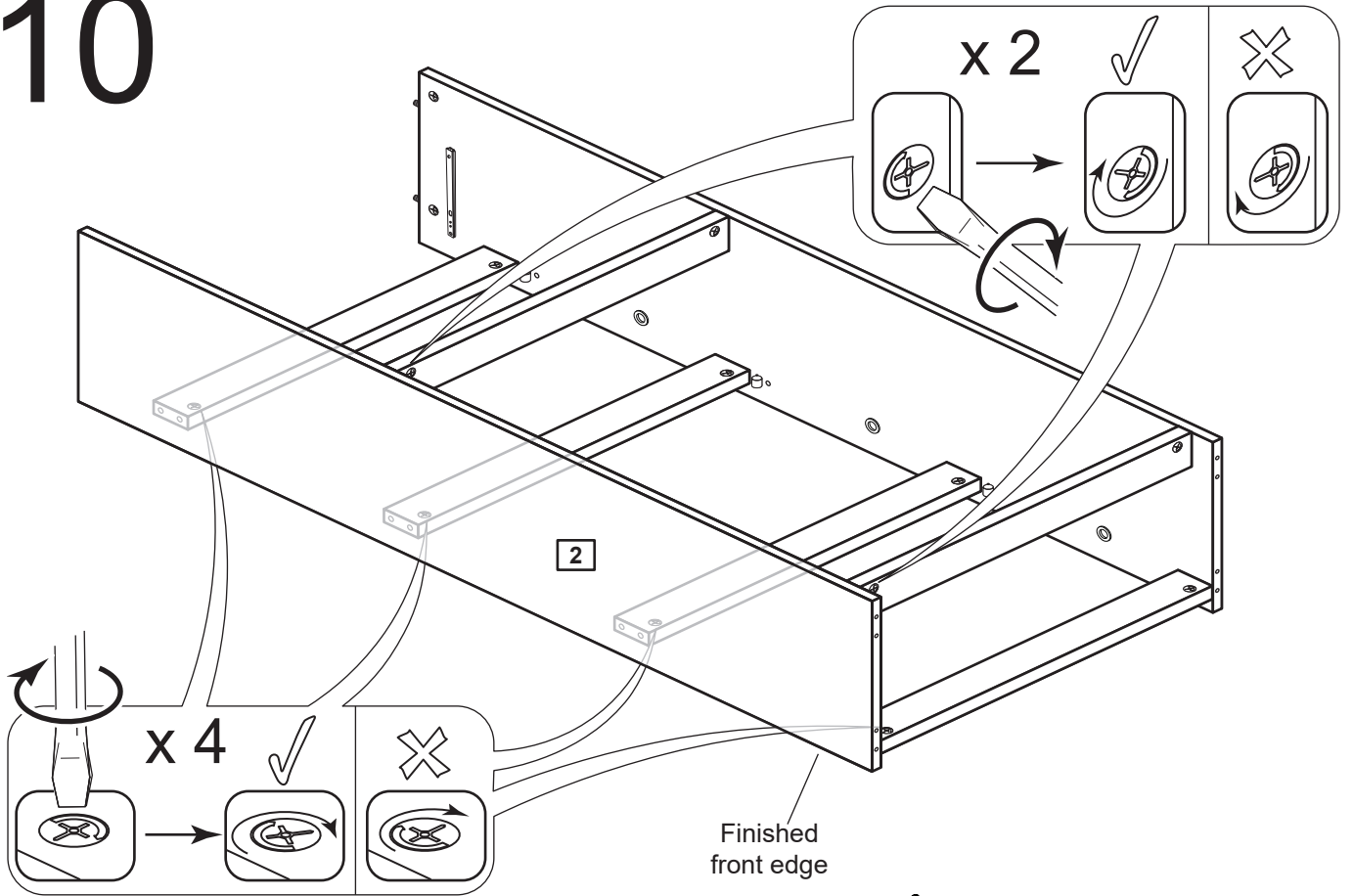


9

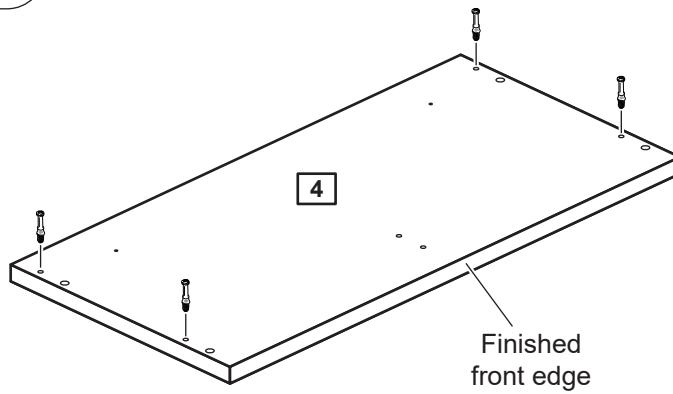
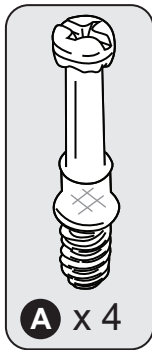
IMPORTANT:
Support panels until other
end panel is fitted in the
next step



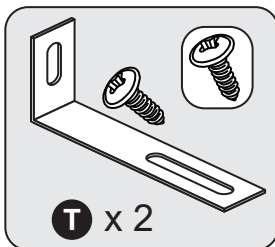
10



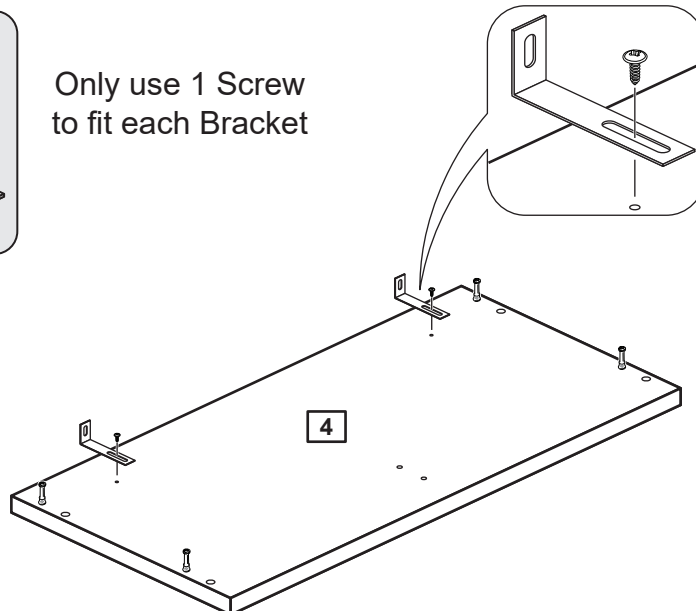
11



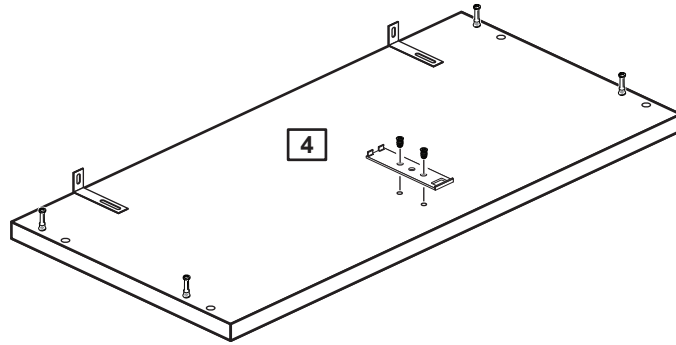
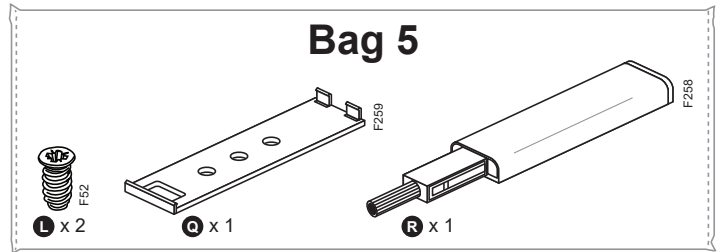
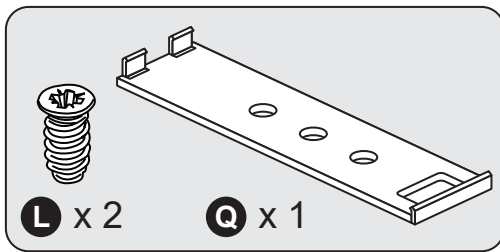
12



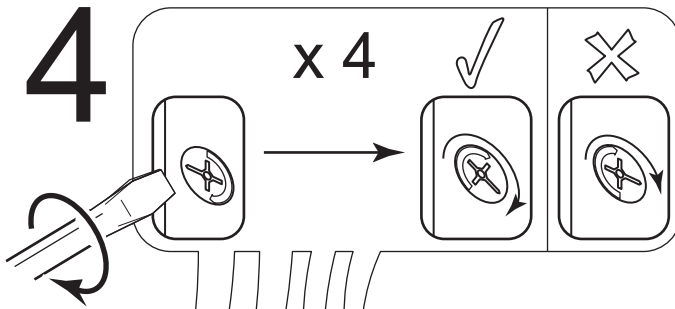
Only use 1 Screw
to fit each Bracket



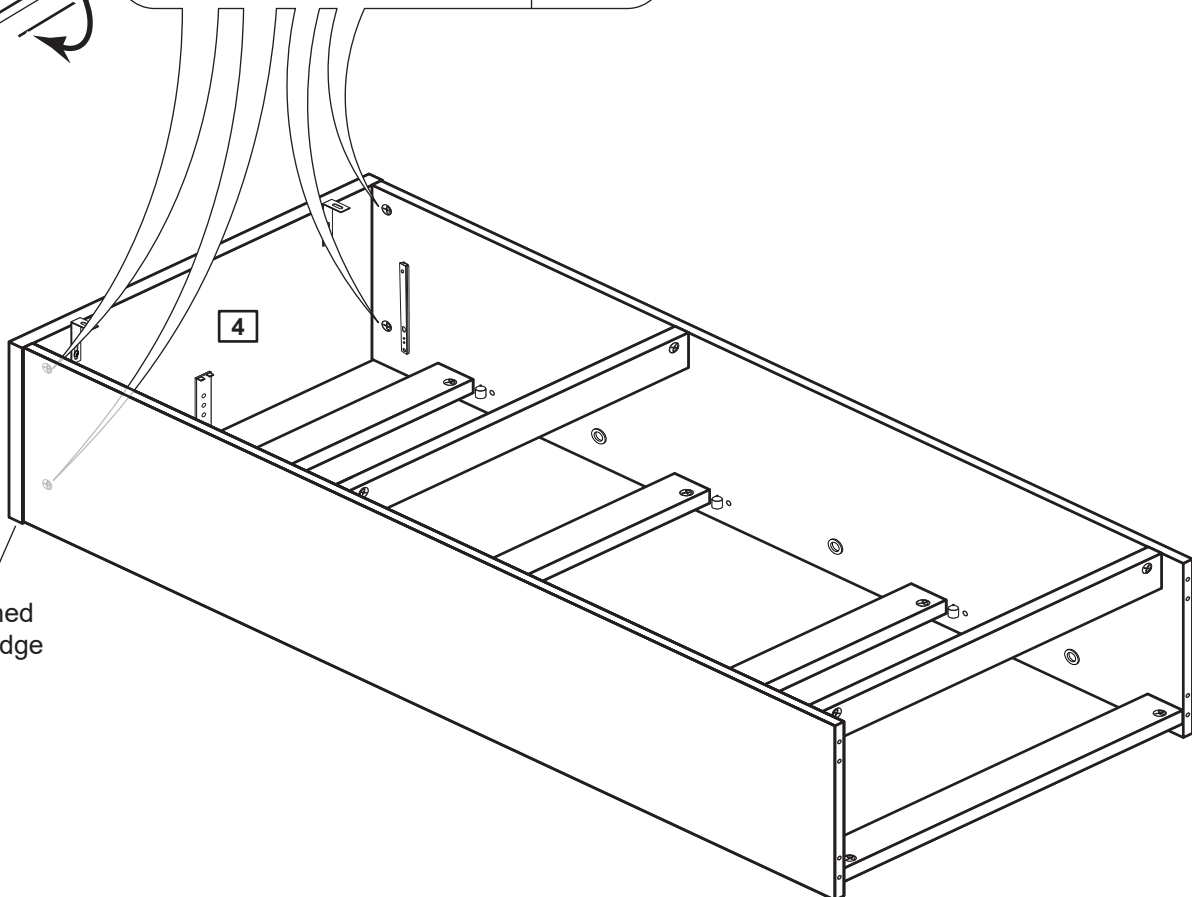
13



14



Finished front edge



15

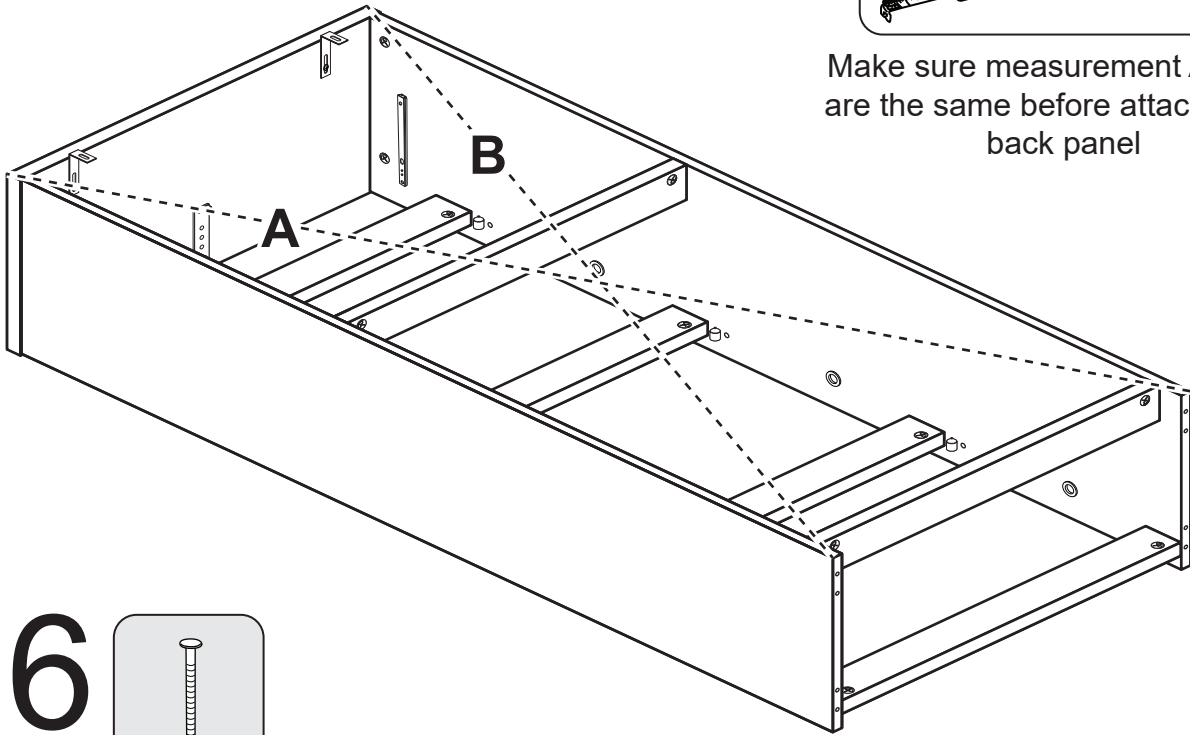


Squaring up a Chest and fitting the Back Panel

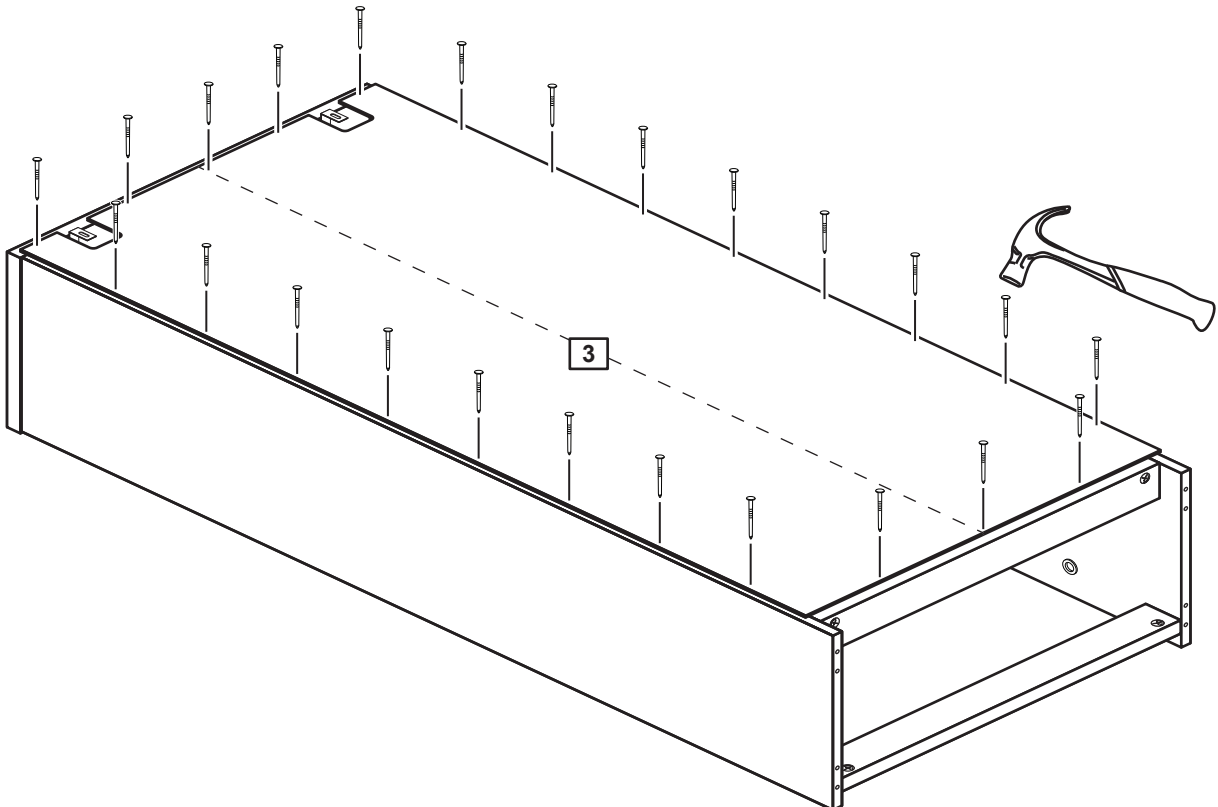
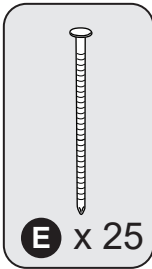
www.youtube.com/watch?v=Feal6541z7o



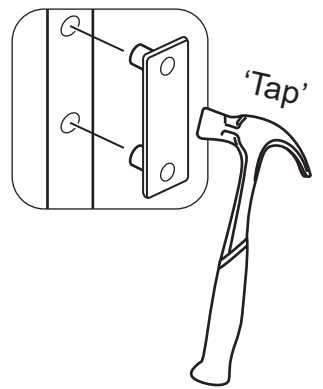
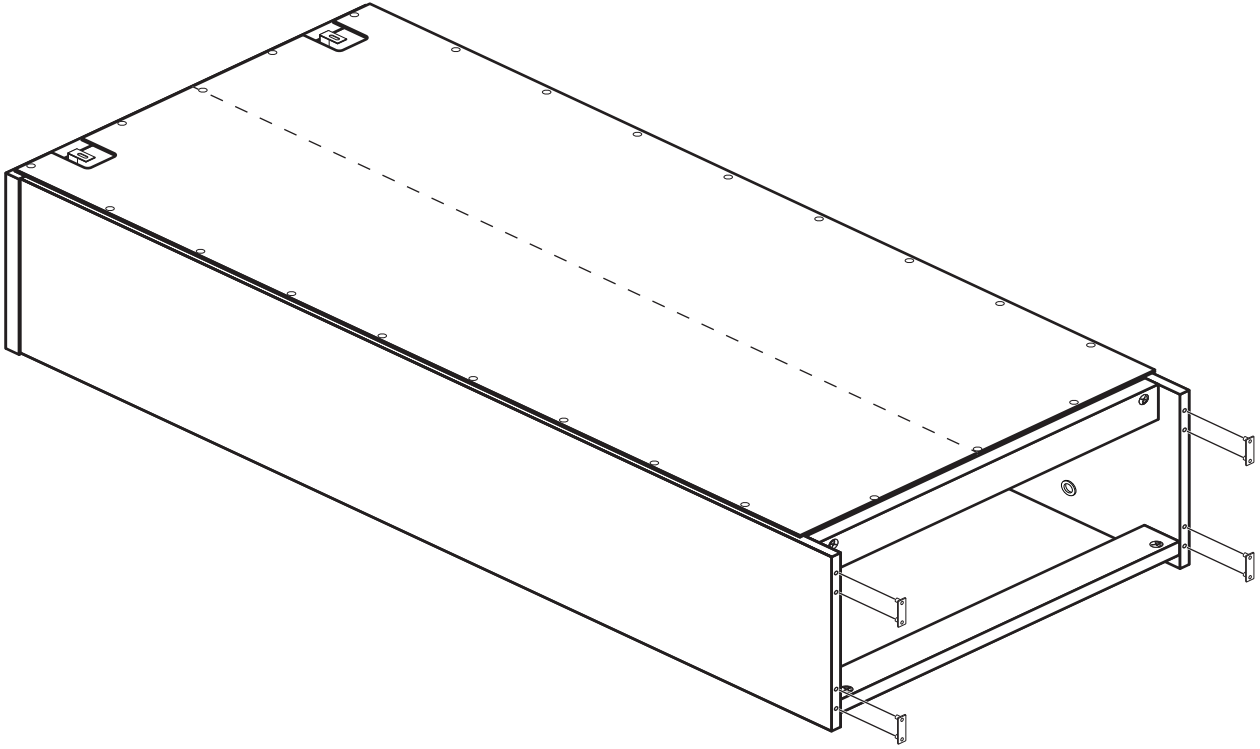
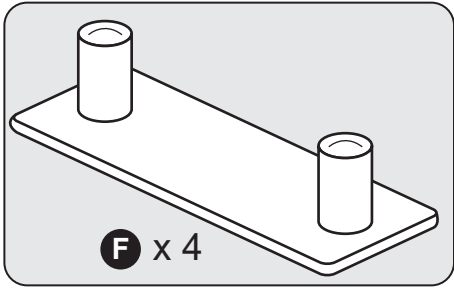
Make sure measurement A and B are the same before attaching the back panel



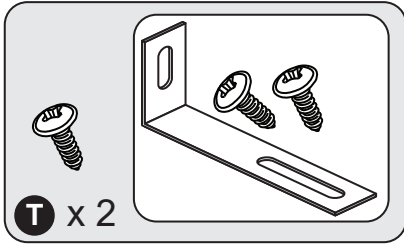
16



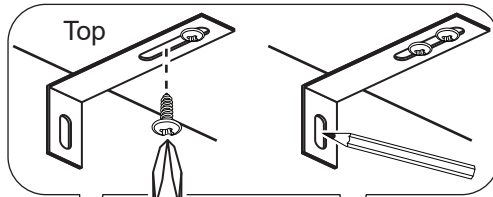
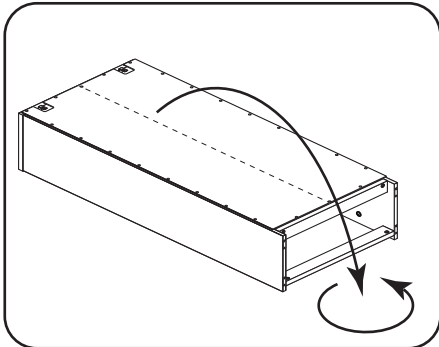
17



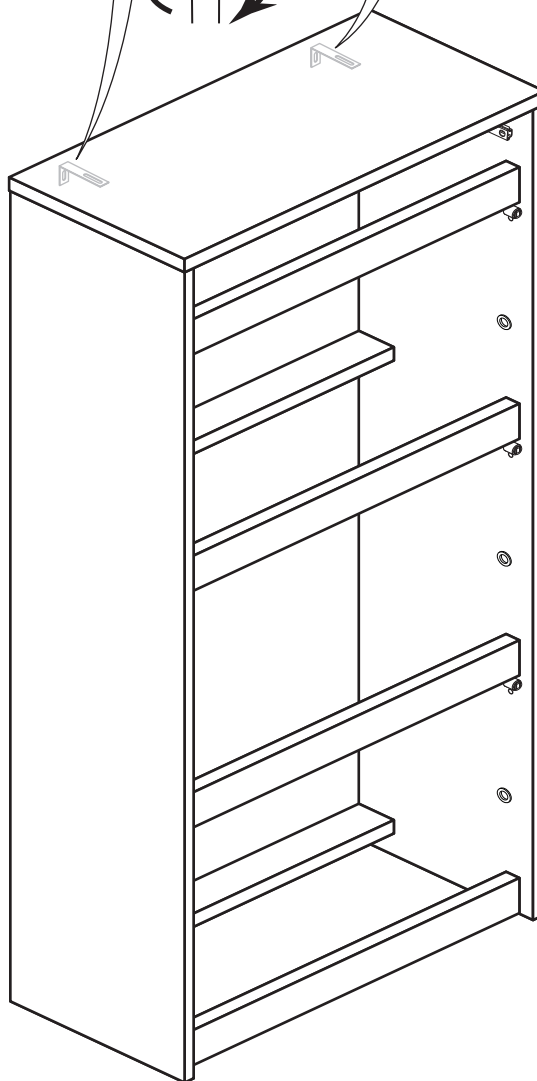
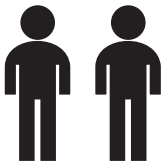
18



WARNING!
In order to prevent overturning
this product must be used with the
2 wall attachment devices provided



*See the next section for a
guide to wall mounting and
fixings*



Slide the Brackets against the wall. Fit the 2nd screws supplied with the Brackets into the underside of the Top panel.

Mark the slot at the back of the Brackets for drilling into the wall.

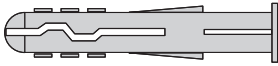
Wall fixings are not supplied as they will need to suit the wall type.

Note: Take care when drilling the wall that you do not drill into any pipes, wires etc. If in doubt, consult an expert.

A Guide to Wall Mounting & Fixings

Important note:

If plastic wall plugs are supplied with your product:



- these are only suitable for use in masonry walls.

If you are in any doubt about the correct wall plugs for your wall, seek professional advice.


Failure of the product due to using incorrect fixings is the responsibility of the installer.



Important: When drilling into walls always check that there are no hidden wires or pipes etc.

Make sure that the screws and wall plugs being used are suitable for supporting your unit. Consult a qualified tradesperson if you are unsure.

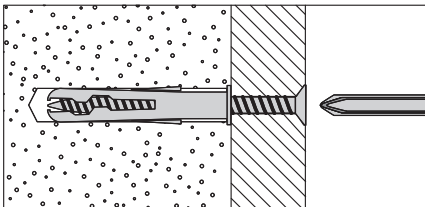
Hints:

- 1: General rule:  Always use a larger screw and wall plug if you are not sure.
- 2: Ensure you use the recommended drill bit to match the wall plug and hole size.
- 3: Ensure you drill the hole horizontally, do not force the drill or enlarge the hole.
- 4: Take extra care when drilling high walls, ceilings and ceramic tiles. Ensure wall plugs are inserted beyond the thickness of the ceramic tiles to avoid the tiles splitting or cracking.
- 5: Ensure wall plugs are well fitted and are a tight fit in the drilled hole.

Types of walls

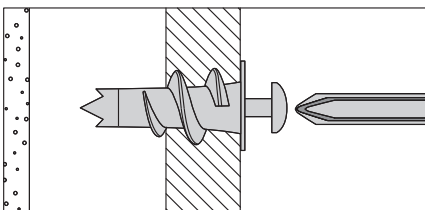
You can use one of the following types of wall plug if your walls are made of brick, breeze block, concrete, stone or wood.

No.1 "General Purpose" wall plug



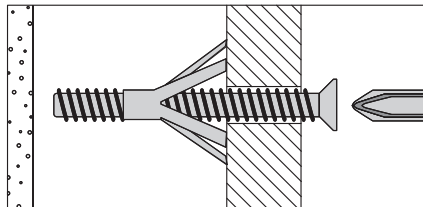
Generally aerated blocks should not be used to support heavy loads, use a specialist fitting in this case. For light loads, general purpose wall plugs can be used.

No.2 "Plasterboard" wall plug



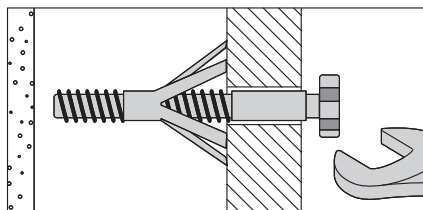
For use when attaching light loads on to plasterboard partitions.

No.3 "Cavity Fixing" wall plug



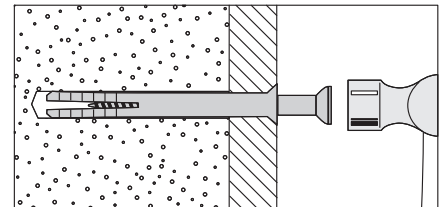
For use with plasterboard partitions or hollow wooden doors.

No.4 "Cavity Fixing-Heavy Duty" wall plug



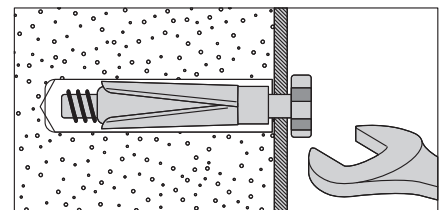
For use when fitting or supporting heavy loads such as shelving, wall cabinets and coat racks.

No.5 "Hammer Fixing" wall plug



For use with walls stuck with plasterboard. The hammer fixing allows it to be fixed to the wall rather than the plasterboard. Always check the fixing is secure to the retaining wall.

No.6 "Shield Anchor" wall plug Heavy loads



For use with heavier loads such as TV & HiFi speakers and satellite dishes etc.

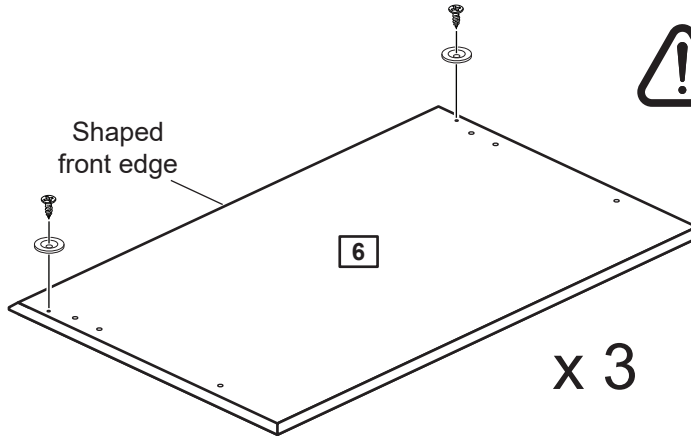
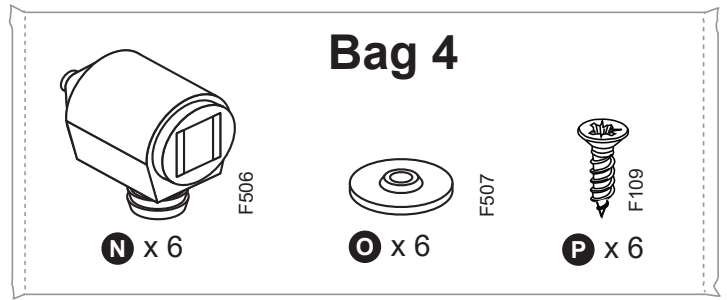
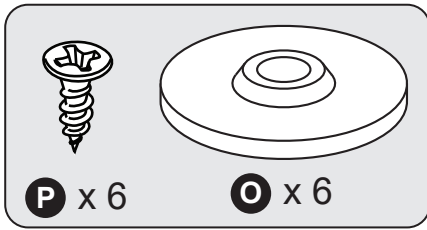


Care & Maintenance

Safety: Always check the fitting and location to ensure your safety in and around the home.

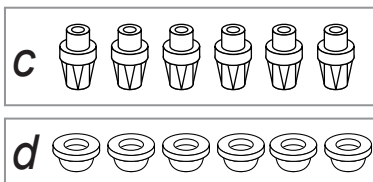
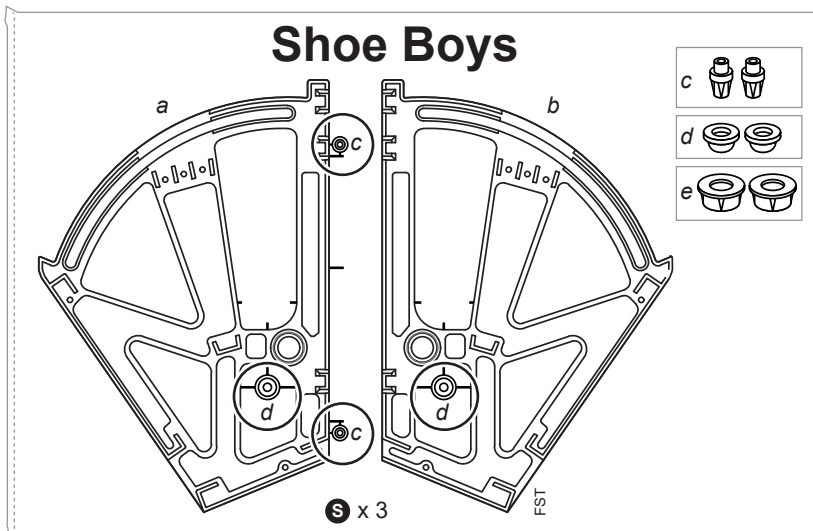
Fitting: From time to time check the fitting to ensure the wall plugs or screws do not become loose.

19



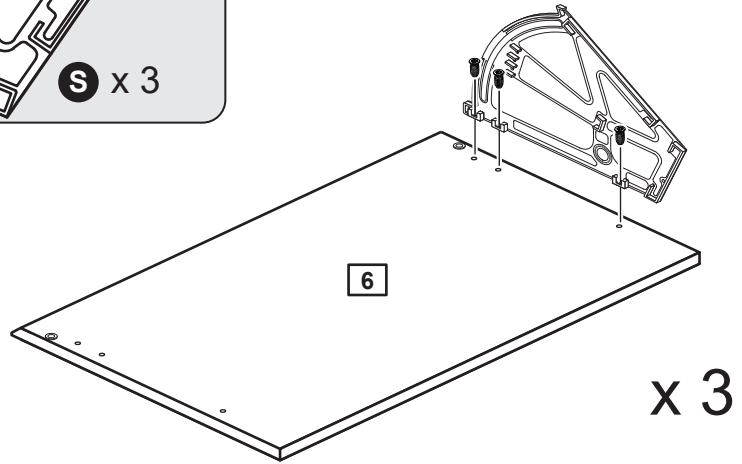
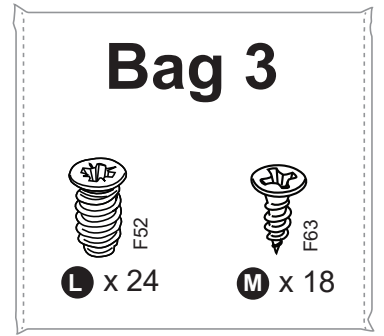
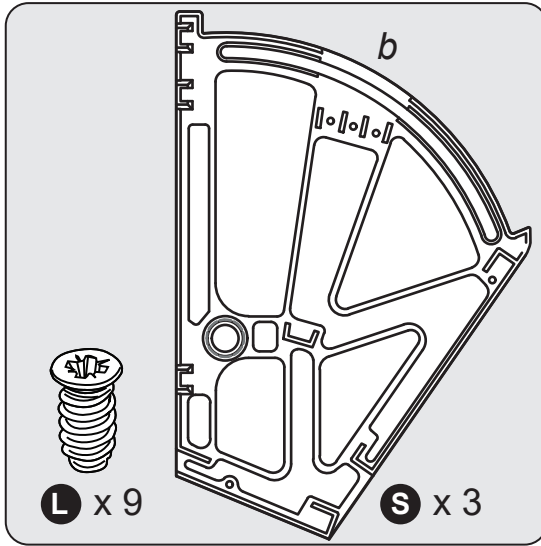
Warning:
Glass! Handle
with care

20

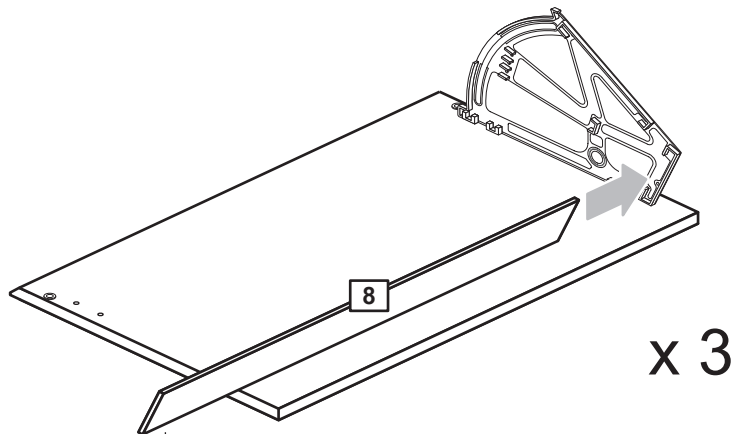


IMPORTANT:
Carefully snap off the rest
of the fittings from the
Shoe Boys to use later

21

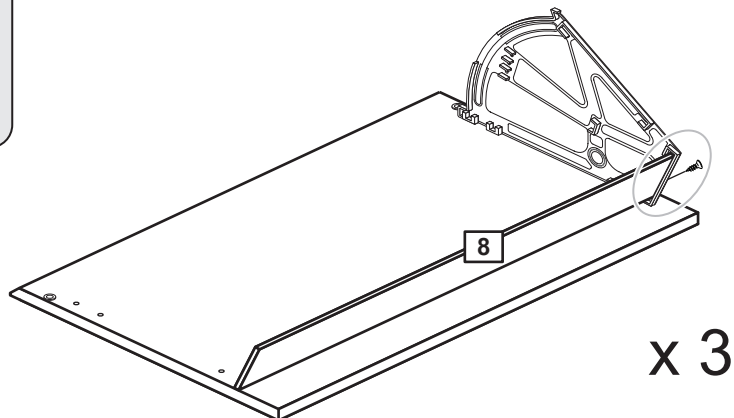
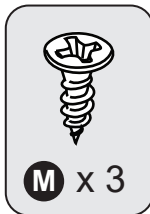


22

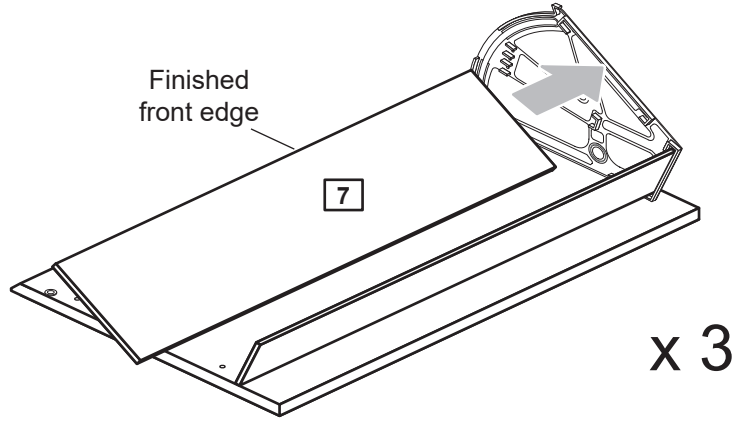


Finished front edge

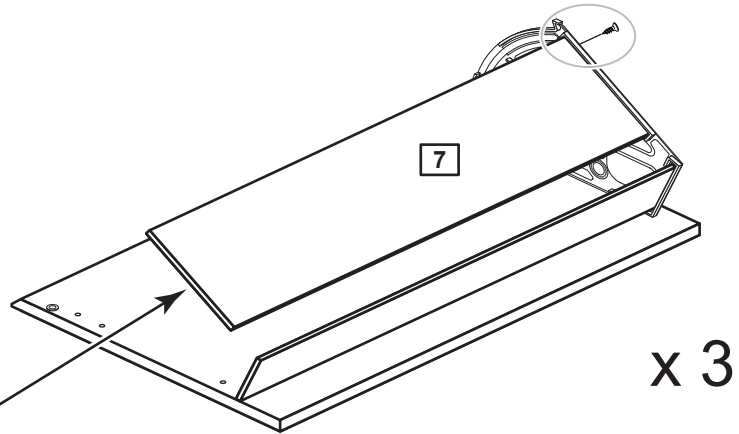
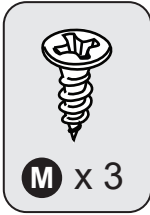
23



24

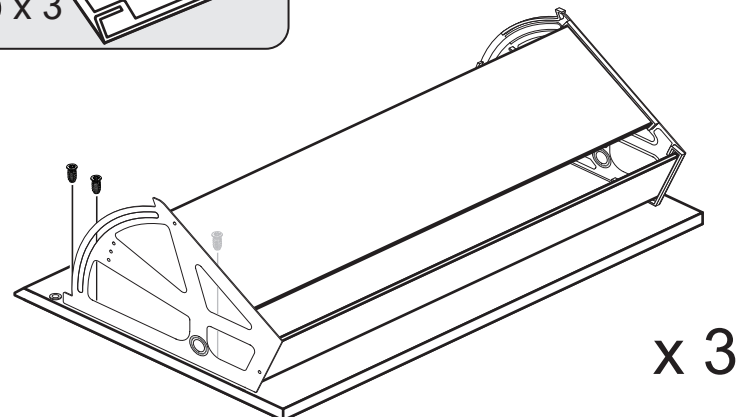
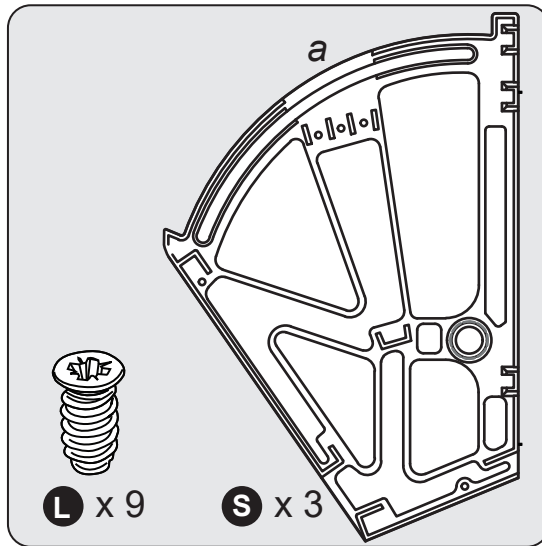


25

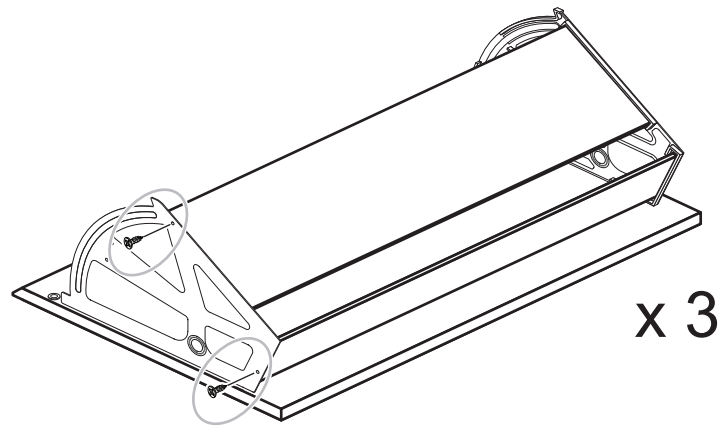
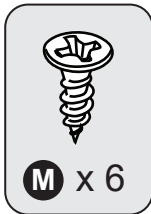


IMPORTANT:
Support this panel
until the Shoe Boy is
fitted in the next step

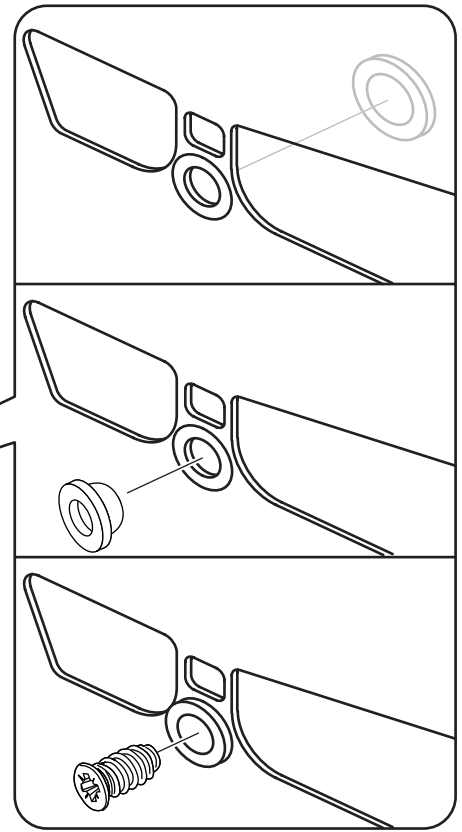
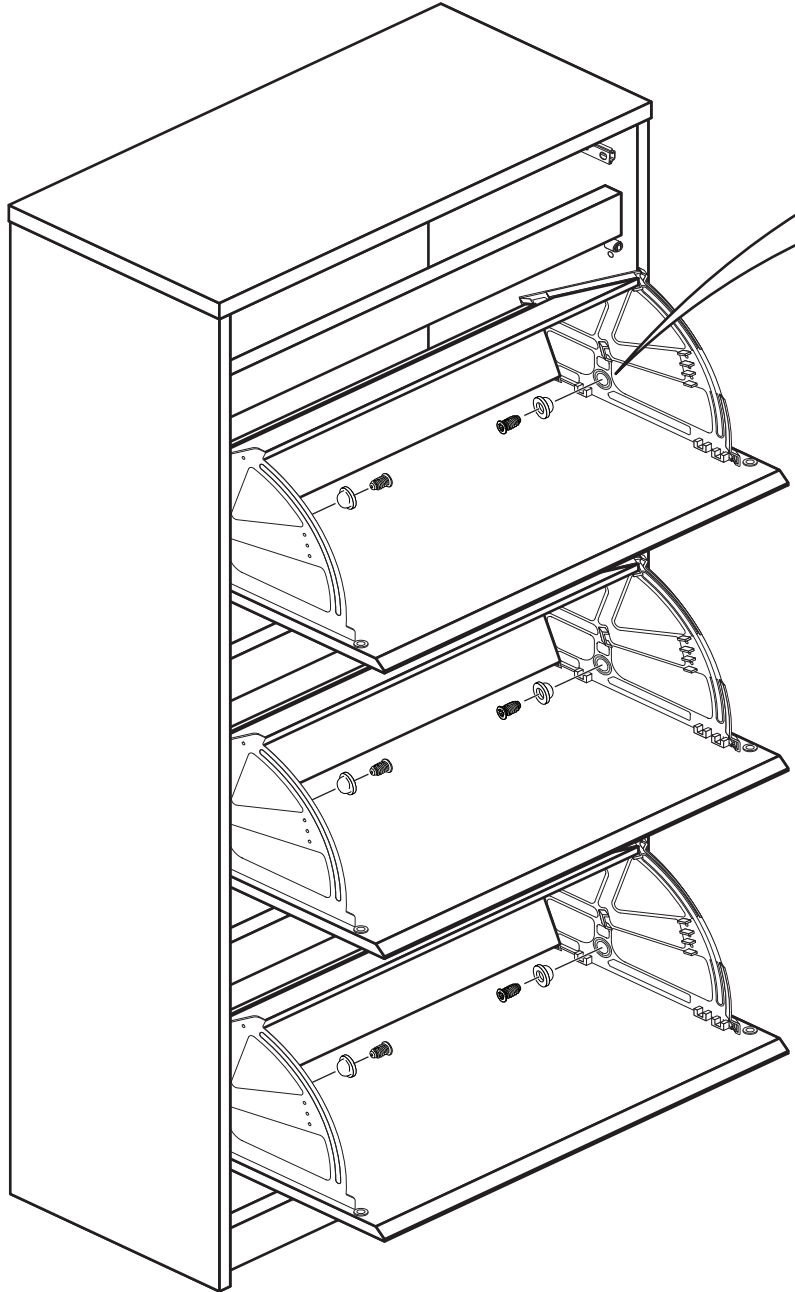
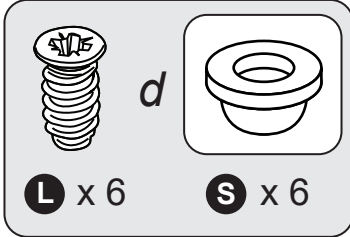
26



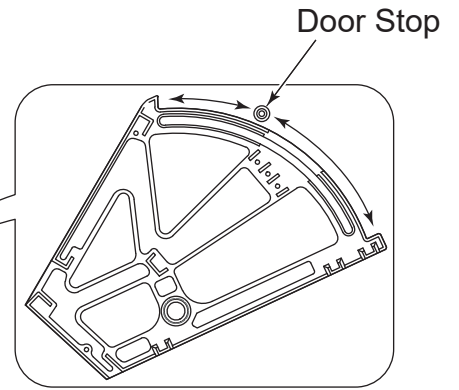
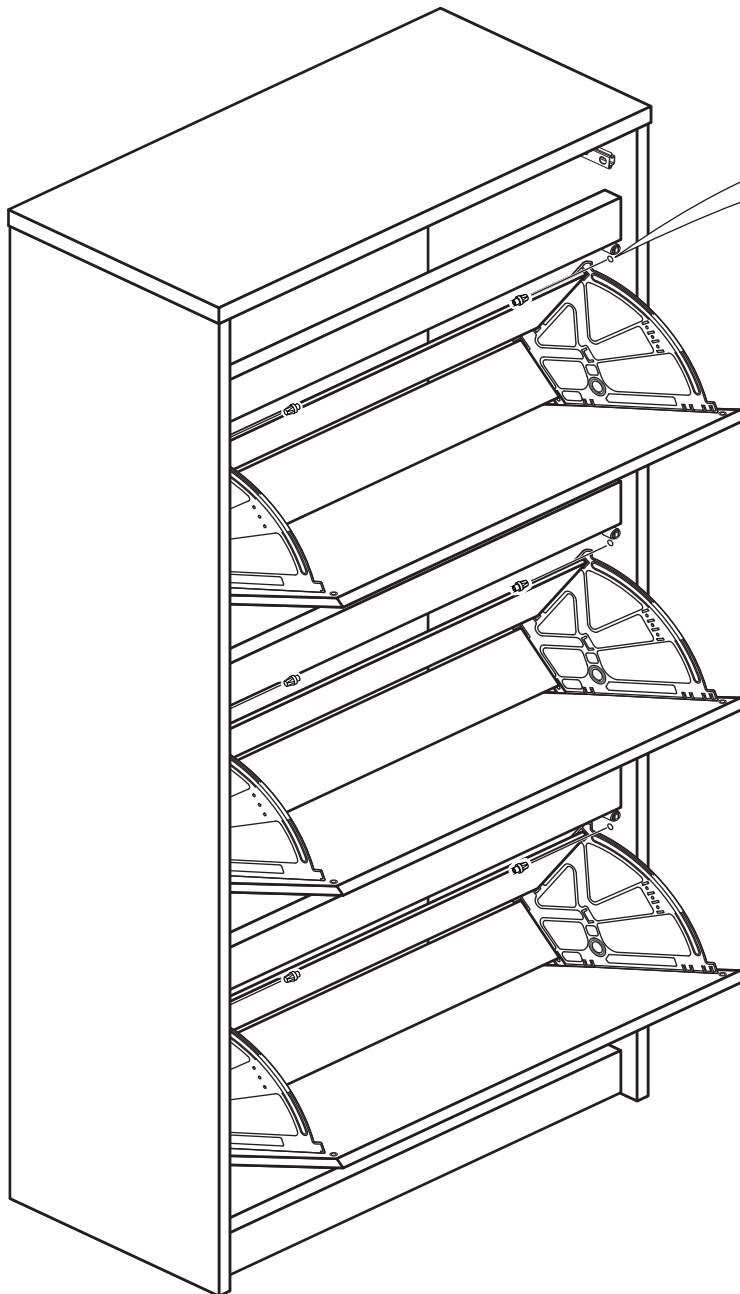
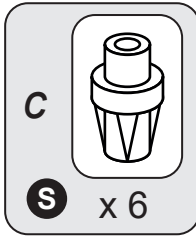
27



28



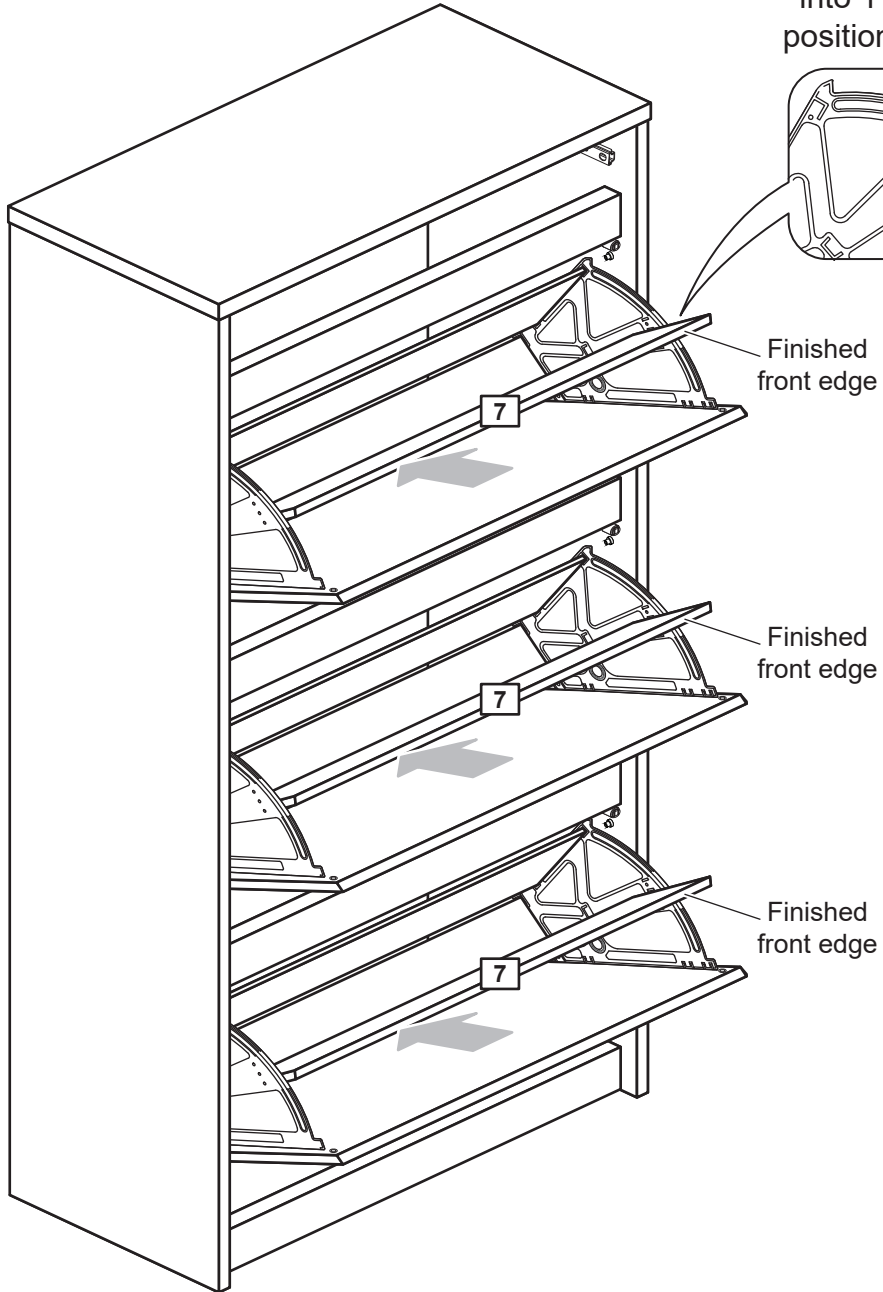
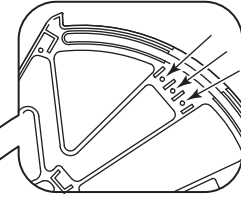
29



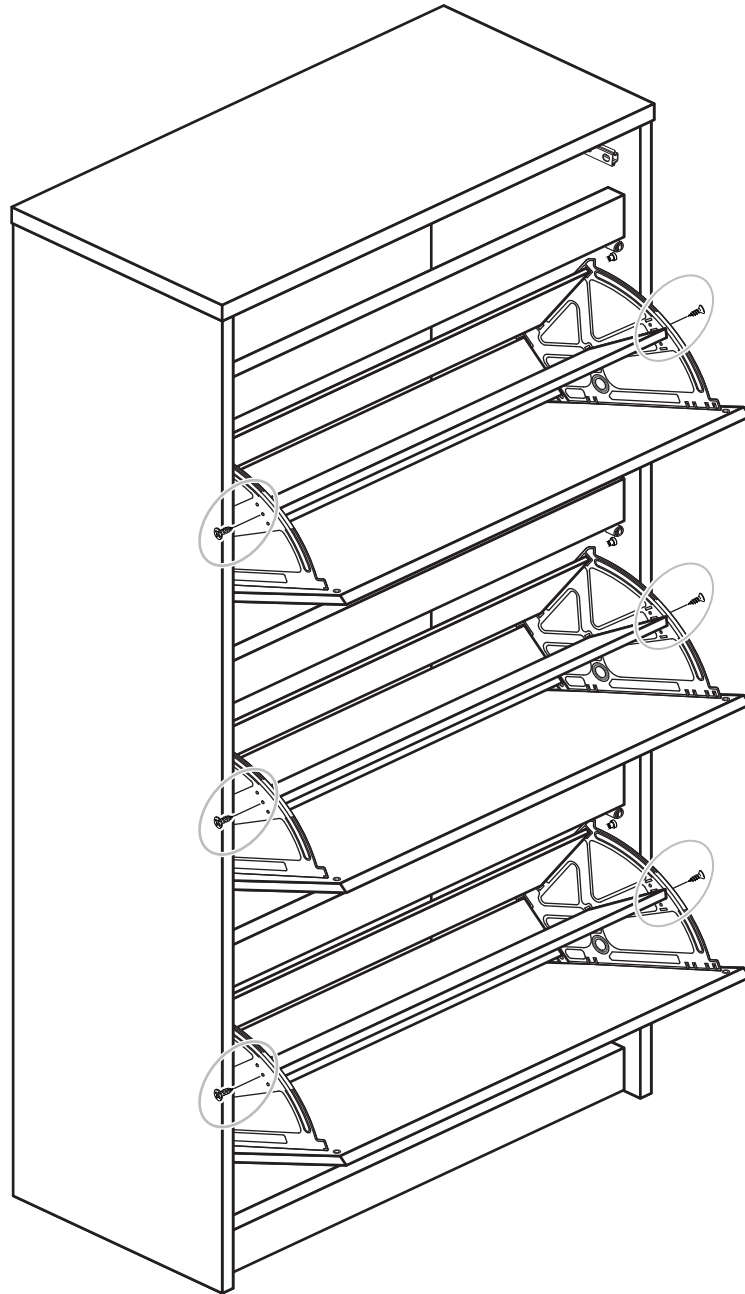
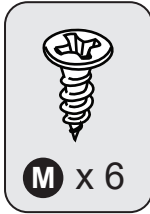
IMPORTANT:

Lift and position the Doors so that the Door Stops are fitted between the 2 lugs at the top of the Shoe Boys

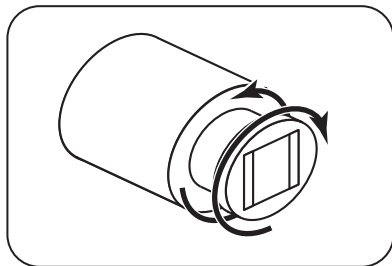
Slot the Divider panels down into 1 of the 3 positions shown



31

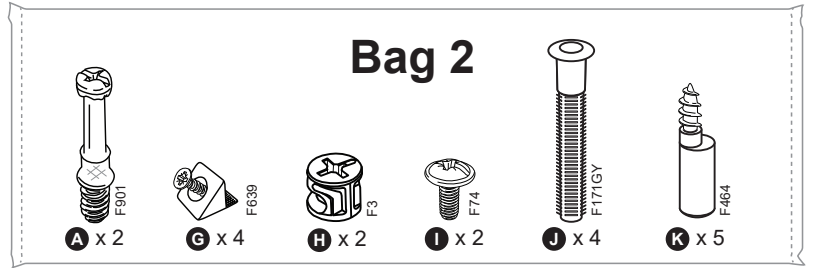
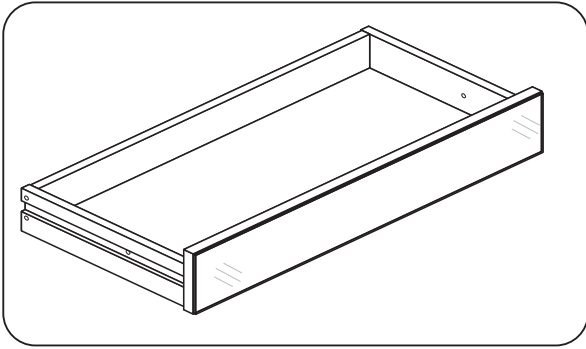


32



Drawer Push adjustment.
Finely adjust the Magnetic Catches to suit your requirements. Just a 1/4 of a turn can make a difference.

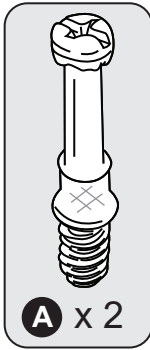
Drawer Assembly



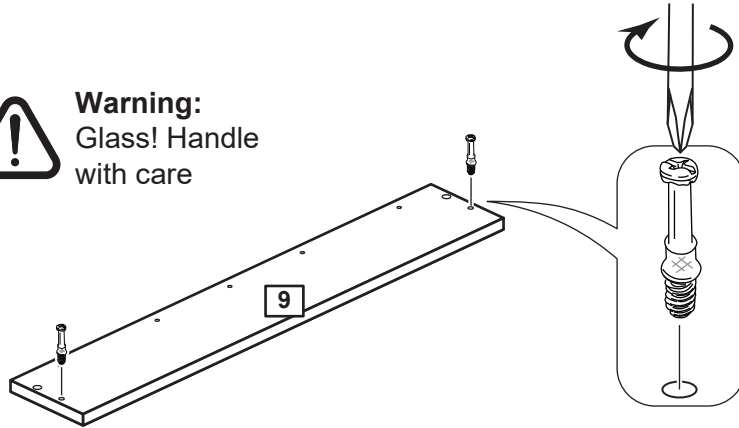
Standard Drawer Box Assembly

<https://www.youtube.com/watch?v=HclfJdkm-Lg>

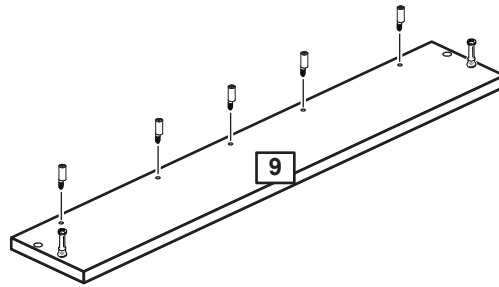
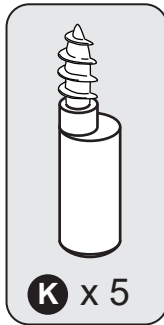
33



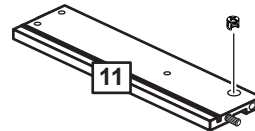
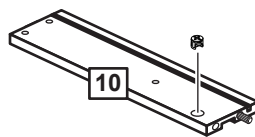
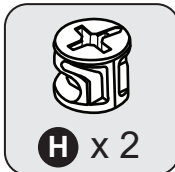
Warning:
Glass! Handle
with care



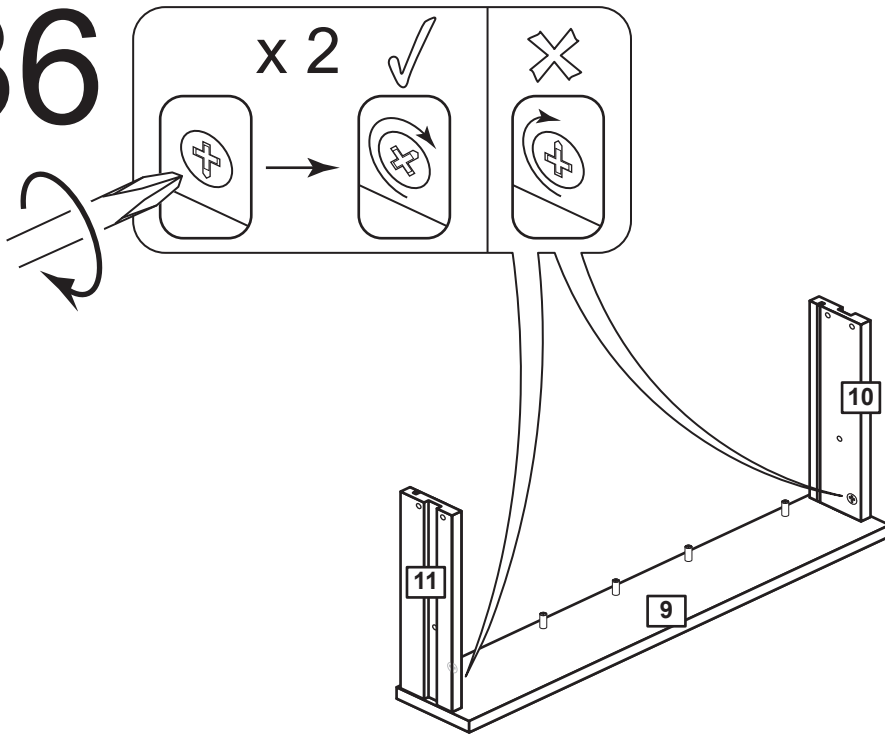
34



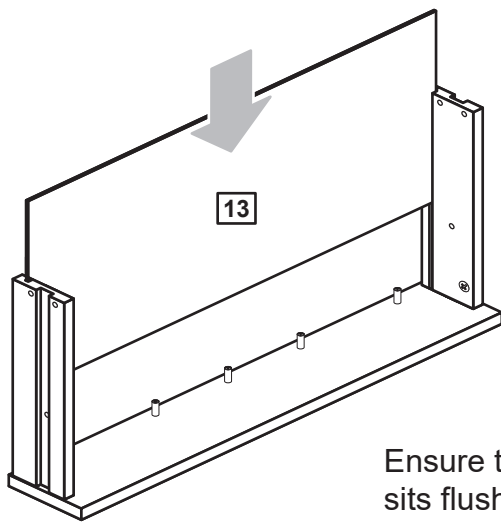
35



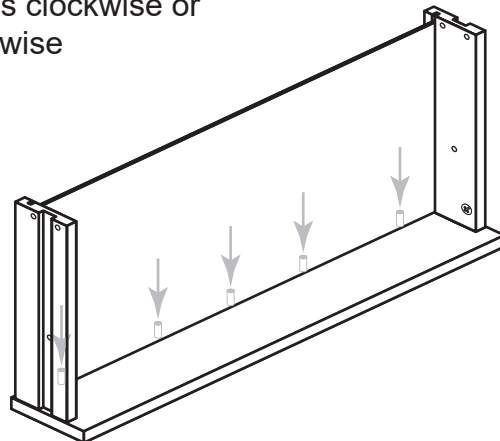
36



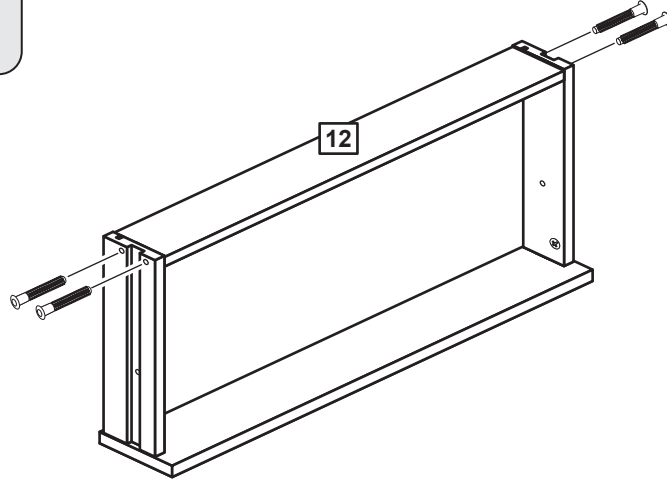
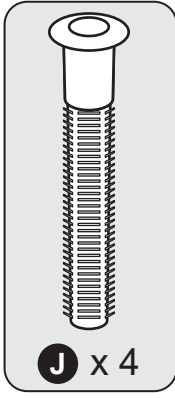
37



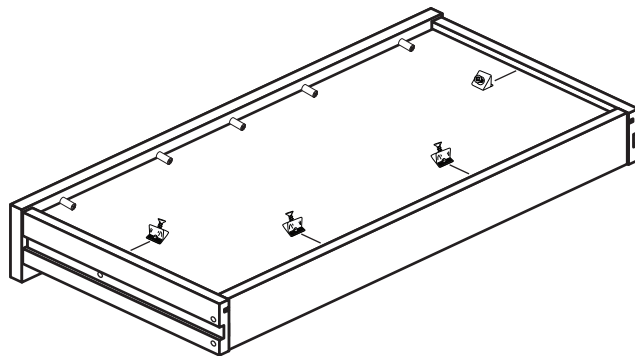
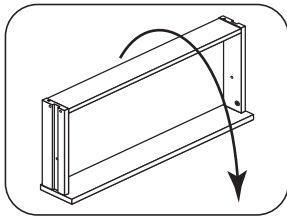
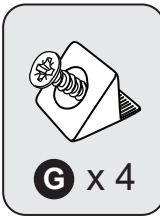
Ensure the drawer base sits flush by turning the shelf studs clockwise or anti-clockwise



38



39

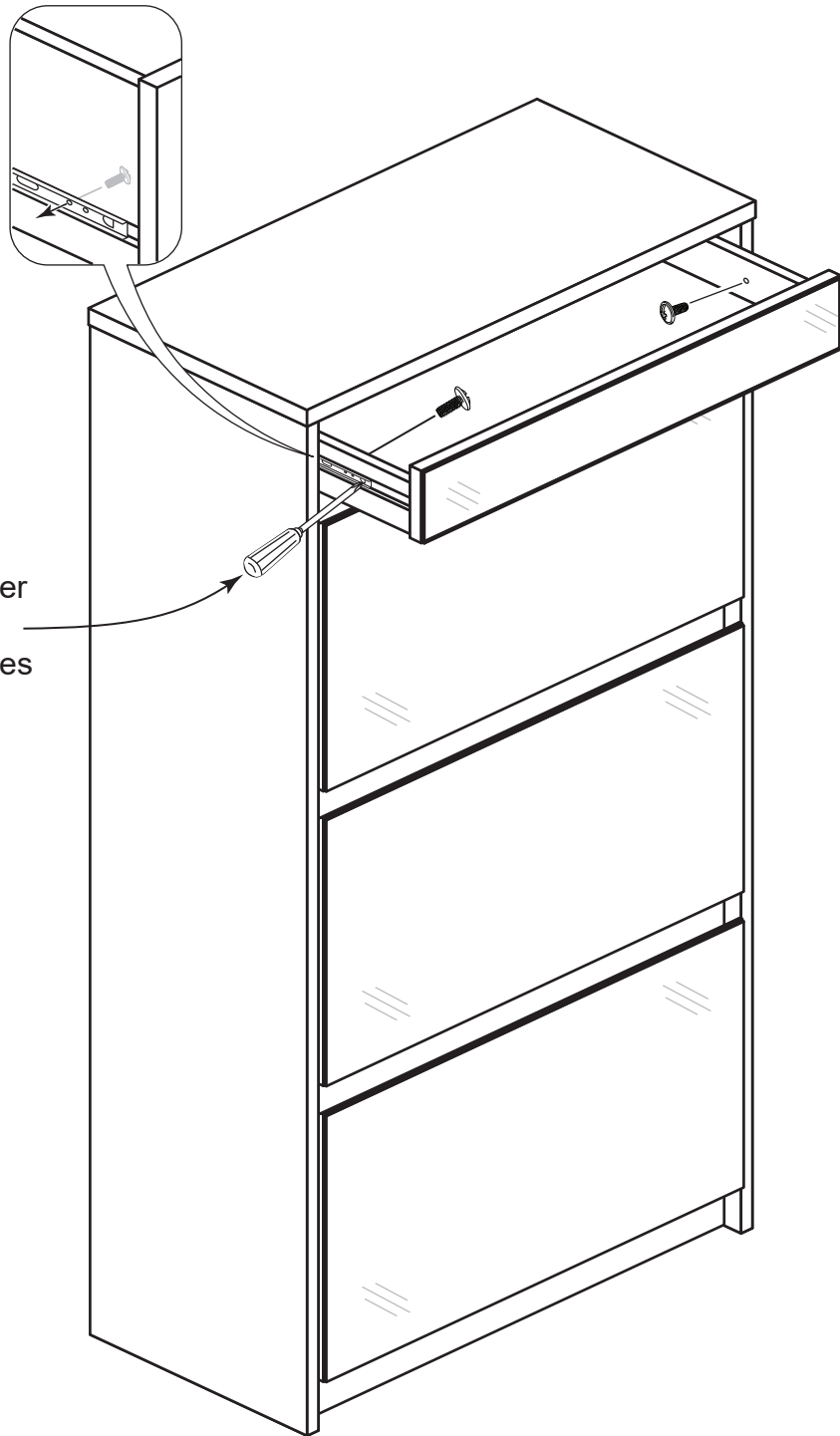
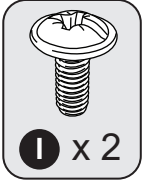


40



Fitting Ball Bearing Runners

www.youtube.com/watch?v=yG4xtiJJeSg



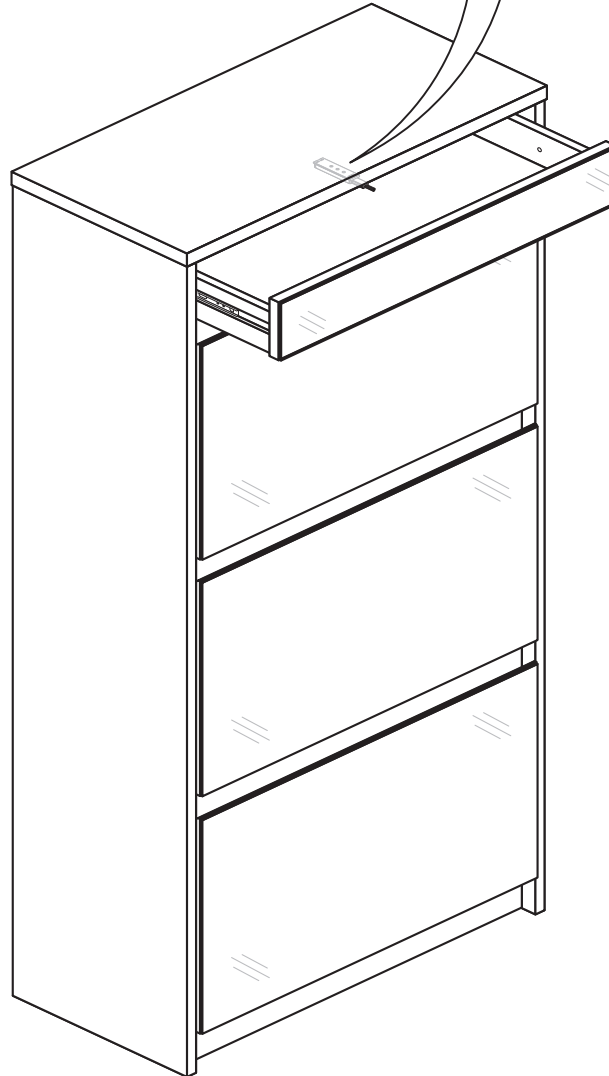
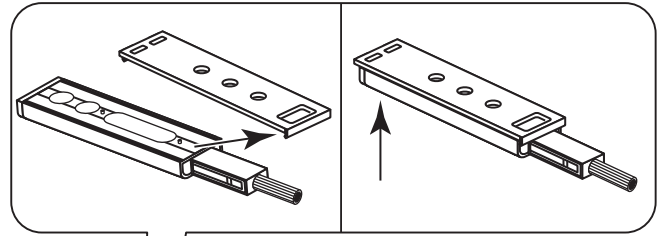
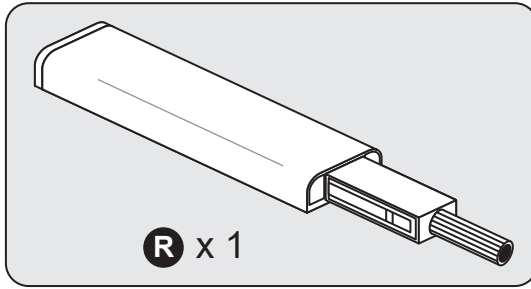
Warning: Use a screwdriver to position the runners as they could have sharp edges

Slide both the runners forward and locate the drawer sides between them, lining up the holes in the drawer sides with the 2nd 'threaded' holes in the runners.

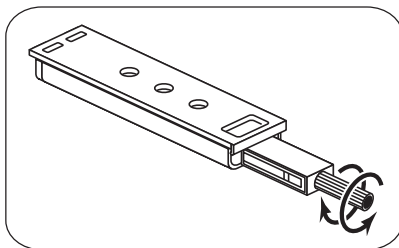
Working from the inside of the drawer, insert 2 screws through the drawer sides and out into the 2nd threaded hole in the runner.

Note: Do not overtighten the screws. If they catch on the runner you may need to loosen them slightly.

41



42



Adjust the Drawer Push

Finely adjust each Door Push to suit your requirements. Just a 1/4 of a turn can make a difference.

Assembly is complete

Please remove any blue protective film from panel edges and clear protective film from panel surfaces and clean the mirror