



# HOOVER

## HOBS

*USER INSTRUCTIONS*

**GB - IE**

## TABLES DE CUISSON

*NOTICE D'EMPLOI*

**FR**

## VARNÉ DESKY

*NÁVOD POUŽITÍ*

**CZ**

## UND BEDIENUNGSANLEITUNG

*INSTALLATIONS*

**DE**

## ENCIMERAS

*INSTRUCCIONES DE USO*

**ES**

## INSTRUKCJE

*UŻYCIA I MONTAŻU*

**PL**

## ANKASTRE OCAK

*KULLANIM KLAVUZU*

**TR**

## ВАРОЧНЫЕ ПОВЕРХНОСТИ

*ИНСТРУКЦИЯ ПОЛЬЗОВАТЕЛЯ*

**RU**

## NAVODILA ZA UPORABO

*VGRADNJO IN PRIKLJUČITEV*

**SI**

## PIANI COTTURA

*ISTRUZIONI PER L'USO*

**IT**

## PLACAS

*INSTRUÇÕES DE UTILIZAÇÃO*

**PT**

## TŰZHELYLAPOK

*HASZNÁLATI UTASÍTÁS*

**HU**

## PLITE

*MANUAL DE UTILIZARE*

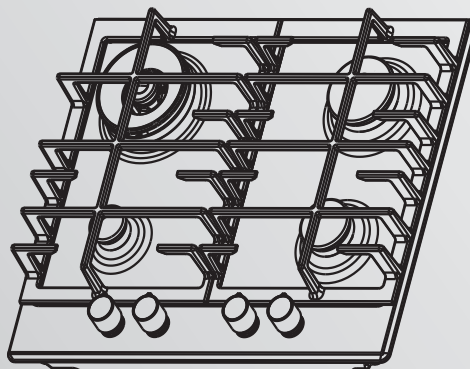
**RO**

## KOOKPLAATS

*MANUAL DE UTILIZARE*

**NL**

**EAC**



- HHG6
- HHG63
- HHG7

CONTENT	GB - IE
<b>Safety Instructions</b> .....	<b>05</b>
<b>1. Instructions For The Installer</b> .....	<b>06</b>
1.1. Bulding In .....	06
1.2. Suitable Location .....	06
<b>2. Electrical Connection (For U.K. Only)</b> .....	<b>06</b>
2.1. Electrical Connection .....	06
2.2. Gas Connection (For U.K. Only).....	06
2.3. Adapting The Hob To Different Types Of Gas .....	07
2.4. Regulating The Minimum Flame .....	07
<b>3. Use Of Hob - User Instructions</b> .....	<b>07</b>
3.1. Using The Gas Burner .....	07
<b>4. Maintenance and Cleaning</b> .....	<b>07</b>
<b>5. Aftercare</b> .....	<b>08</b>
<b>6. Protection Of The Environment</b> .....	<b>08</b>

OBSAH	CZ
<b>Bezpečnostní Pokyny</b> .....	<b>13</b>
<b>1. Pokyny pro instalátora</b> .....	<b>14</b>
1.1. Vestavba .....	14
1.2. Vhodné místo instalace .....	14
2.1. Připojení k elektrické síti .....	14
2.2. Připojení plynu .....	14
2.3. Změna varné desky na jiný druh plynu .....	15
2.4. Nastavení minimálního plamene .....	15
<b>3. Použití varné desky</b> .....	<b>15</b>
3.1. Použití plynového hořáku .....	15
<b>4. Údržba a čištění</b> .....	<b>15</b>
<b>5. Servis</b> .....	<b>15</b>
<b>6. Ochrana životního prostředí</b> .....	<b>16</b>

CONTENIDO	ES
<b>Instrucciones Para Un Uso Seguro</b> .....	<b>21</b>
<b>1. Instrucciones Para El Instalador</b> .....	<b>22</b>
1.1. Integración .....	22
1.2. Ubicación Ideal .....	22
2.1. Conexión Eléctrica .....	22
2.2. Conexión Del Gas .....	22
2.3. Adaptación De La Placa A Distintos Tipos De Gas .....	23
2.4. Regulación De La Llama Mínima .....	23
<b>3. Utilización De La Placa Instrucciones Para El Usuario</b> .....	<b>23</b>
3.1. Utilización Del Quemador De Gas .....	23
<b>4. Mantenimiento Y Limpieza</b> .....	<b>23</b>
<b>5. Servicio Técnico</b> .....	<b>24</b>
<b>6. Protección Del Medioambiente</b> .....	<b>24</b>

İÇİNDEKİLER	TR
<b>Güvenlik Talimatları</b> .....	<b>29</b>
<b>1. Kurulum Talimatları</b> .....	<b>30</b>
1.1. Ankastr Montaj .....	30
1.2. Uygun Yer Tespiti .....	30
2.1. Elektrik Bağlantısı .....	30
2.2. Gaz Bağlantısı .....	30
2.3. Ocağın Farklı Gaz Türlerine Uyarlanması .....	31
2.4. Minimum Alevin Ayarlanması .....	31
<b>3. Ocak Kullanımı Kullanım Talimatları</b> .....	<b>31</b>
3.1. Gazlı Ocak Gözlerinin Kullanımı .....	31
<b>4. Bakım Ve Temizlik</b> .....	<b>31</b>
<b>5. Satış Sonrası Servis</b> .....	<b>31</b>
<b>6. Çevrenin Korunması</b> .....	<b>32</b>

VSEBINA	SI
<b>Varnostna Navodila</b> .....	<b>39</b>
<b>1. Vgradnja In Priključitev</b> .....	<b>40</b>
1.1. Vgradnja .....	40
1.2. Ustrezen Prostor .....	40
2.1. Priključitev Na Električno Omrežje .....	40
2.2. Priključitev Plina .....	40
2.3. Prilaganje Kuhalne Plošče Za Drugo Vrsto Plina .....	40
2.4. Nastavljanje Minimalnega Plamena Gorilnika .....	41
<b>3. Uporaba Kuhalne Plošče Navodila Za Uporabnika</b> .....	<b>41</b>
3.1. Uporaba Gorilnikov .....	41
<b>4. Vzdrževanje In Čiščenje</b> .....	<b>41</b>
<b>5. Servisiranje</b> .....	<b>41</b>
<b>6. Protection De L'environnement</b> .....	<b>42</b>

CONTENU	FR
<b>Conseils De Sécurité</b> .....	<b>09</b>
<b>1. Installation</b> .....	<b>10</b>
1.1. Encastrement .....	10
1.2. Caractéristiques Requises .....	10
2.1. Raccordement Electrique .....	10
2.2. Raccordement Gaz .....	10
2.3. Adapter La Table A Differents Types De Gaz .....	11
2.4. Regular La Flamme Au Minimum .....	11
<b>3. Utilisation De La Table</b> .....	<b>11</b>
3.1. Using The Gas Burner .....	11
<b>4. Maintenance Et Entretien</b> .....	<b>11</b>
<b>5. Assistance Technique</b> .....	<b>12</b>
<b>6. Protection De L'environnement</b> .....	<b>12</b>

INHALT	DE
<b>Sicherheitsvorschriften</b> .....	<b>17</b>
<b>1. Installationsanweisung</b> .....	<b>18</b>
1.1. Einbau .....	18
1.2. Geeigneter Standort .....	18
2.1. Elektrischer Anschluss .....	18
2.2. Gasanschluss .....	18
2.3. Umstellung Auf Eine Andere Gasart .....	19
2.4. Einstellen Der Gasmindestzufuhr .....	19
<b>3. Bedienungsanleitung</b> .....	<b>19</b>
3.1. Inbetriebnahme Der Brenner .....	19
<b>4. Wartung Und Reinigung</b> .....	<b>19</b>
<b>5. Technischer Kundendienst</b> .....	<b>20</b>
<b>6. Umweltgerechte Entsorgung</b> .....	<b>20</b>

SPIS TREŚCI	PL
<b>Instrukcje Bezpieczeństwa</b> .....	<b>25</b>
<b>1. Instrukcje Dla Instalatora</b> .....	<b>26</b>
1.1. Zabudowa .....	26
1.2. Odpowiednie Pomieszczenie .....	26
2.1. Podłączenie Do Sieci Elektrycznej .....	26
2.2. Podłączenie Do Gazu .....	26
2.3. Przystosowanie Płyty Do Różnych Rodzajów Gazu .....	27
2.4. Regulacja Płomienia Minimalnego .....	27
<b>3. Użytkowanie Płyty - Instrukcje Dla Użytkownika</b> .....	<b>27</b>
3.1. Używanie Palników Gazowych .....	27
<b>4. Czyszczenie I Konserwacja</b> .....	<b>27</b>
<b>5. Obsługa Serwisowa</b> .....	<b>28</b>
<b>6. Ochrona Środowiska</b> .....	<b>28</b>

СОДЕРЖАНИЕ	RU
<b>ПРАВИЛА ТЕХНИКИ БЕЗОПАСНОСТИ</b> .....	<b>34</b>
<b>1. Инструкции по выполнению установки</b> .....	<b>35</b>
1.1. Встраиваемые варочные поверхности .....	35
1.2. Выбор места для установки варочной поверхности .....	35
<b>2. Подключение к электросети (только для Великобритании)</b> .....	<b>35</b>
2.1. Подключение к электросети .....	35
2.2. Подключение к линии газоснабжения (только для Великобритании) .....	35
2.3. Адаптация варочной поверхности на другие типы газа .....	36
2.4. Регулировка минимального пламени .....	36
<b>3. Инструкции по эксплуатации варочной поверхности</b> .....	<b>36</b>
3.1. использование газовой конфорки .....	36
<b>4. Обслуживание и чистка</b> .....	<b>37</b>
<b>5. Послепродажное обслуживание</b> .....	<b>37</b>
<b>6. Защита окружающей среды</b> .....	<b>37</b>

INDICE	IT
<b>Indicazioni Di Sicurezza</b> .....	<b>43</b>
<b>1. Istruzioni Per L'installatore</b> .....	<b>44</b>
1.1. Installazione .....	44
1.2. Locazioni Consigliate .....	44
2.1. Connessione Elettrica .....	44
2.2. Connessione Gas .....	44
2.3. Adattare Il Piano Cottura Con Diversi Tipi Di Gas .....	45
2.4. Regolare Il Minimo Della Fiamma .....	45
<b>3. Uso Del Piano - Istruzioni Utente</b> .....	<b>45</b>
3.1. Uso Del Bruciatore Gas .....	45
<b>4. Manutenzione E Pulizia</b> .....	<b>45</b>
<b>5. Ripristino</b> .....	<b>45</b>
<b>6. Rispetto Dell'ambiente</b> .....	<b>44</b>

**ÍNDICE****PT**

<b>INSTRUÇÕES DE SEGURANÇA</b> .....	<b>47</b>
<b>1. Instruções Para O Instalador</b> .....	<b>48</b>
1.1 Preparação .....	48
1.2 Localização Adequada .....	48
2.1. Ligação Eléctrica .....	48
2.2. Ligação À Rede De Gás.....	48
2.3. Adaptação Da Placa A Diferentes Tipos De Gás .....	49
2.4. Regulação Da Altura Mínima Da Chama .....	49
<b>3. Utilização Da Placa Instruções Para O Utilizador</b> .....	<b>49</b>
3.1. Como Utilizar O Queimador De Gás .....	49
<b>4. Manutenção E Limpeza</b> .....	<b>50</b>
<b>5. Antes De Chamar A Assistência Técnica</b> .....	<b>50</b>
<b>6. Protecção Do Ambiente</b> .....	<b>50</b>

**CUPRINS****RO**

<b>INSTRUCȚIUNI PRIVIND SIGURANȚA</b> .....	<b>55</b>
<b>1. InstrucȚiuni de Instalare</b> .....	<b>56</b>
1.1. Incorporare .....	56
1.2. Amplasare.....	56
<b>2. Conexiunea electrică (numai pentru G.B.)</b> .....	<b>56</b>
2.1. Conexiunea electrică .....	56
2.2. Conectarea la gaz (numai pentru G.B.) .....	56
2.3. Adaptarea la diverse tipuri de gaz .....	57
2.4. Reglarea flăcării minime .....	57
<b>3. Utilizarea plitei InstrucȚiuni de utilizare</b> .....	<b>57</b>
3.1. Utilizarea arzătoarelor .....	57
<b>4. Întreținere și curățare</b> .....	<b>57</b>
<b>5. Service</b> .....	<b>58</b>
<b>6. Protejarea mediului</b> .....	<b>58</b>
<b>Gas Type Tables</b> .....	<b>63</b>

**TARTALOMJEGYZÉK****HU**

<b>Biztonsági Utasítások</b> .....	<b>51</b>
<b>1. Utasítások a telepítő számára</b> .....	<b>52</b>
1.1. Beépítés .....	52
1.2. Alkalmas helyszín .....	52
<b>2. Elektromos bekötés (csak az Egyesült Királyságban)</b> .....	<b>52</b>
2.1. Elektromos bekötés .....	52
2.2. Gázbekötés (csak az Egyesült Királyságban) .....	52
2.3. A tűzhelylap beállítása különböző gáztípusokhoz .....	53
2.4. A minimális lángméret beállítása .....	53
<b>3. A tűzhelylap használata Felhasználói utasítások</b> .....	<b>53</b>
3.1. A gázégő használata .....	53
<b>4. Karbantartás és tisztítás</b> .....	<b>54</b>
<b>5. Vevőszolgálat</b> .....	<b>54</b>
<b>6. Környezetvédelem</b> .....	<b>54</b>

**INHOUD****NL**

<b>Veiligheidsvoorschriften</b> .....	<b>59</b>
<b>1. Richtlijnen voor de installateur</b> .....	<b>60</b>
1.1. Inbouwen .....	60
1.2. De juiste omgeving .....	60
<b>2. Elektrisch gedeelte aansluiten</b> .....	<b>60</b>
2.1. Elektrisch gedeelte aansluiten .....	60
2.2. Gas aansluiting.....	60
2.3. Aanpassen aan diverse soorten gas .....	61
2.4. Afstellen van de branders .....	61
<b>3. Instructies voor gebruik</b> .....	<b>61</b>
3.1. Gebruik van de gasbranders .....	61
3.2. Gebruik van elektrische kookzones .....	61
<b>4. Onderhoud en reinigen</b> .....	<b>61</b>
<b>5. Technische dienst</b> .....	<b>62</b>
<b>6. Milieubescherming</b> .....	<b>62</b>

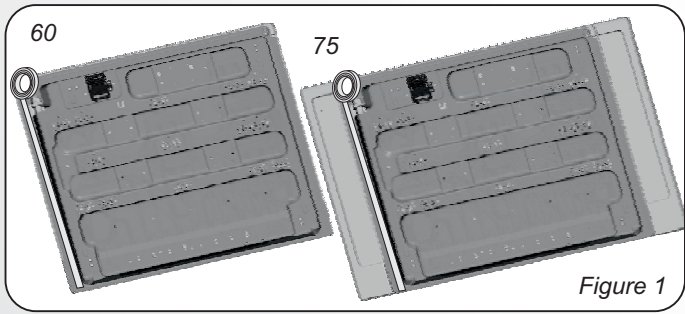


Figure 1

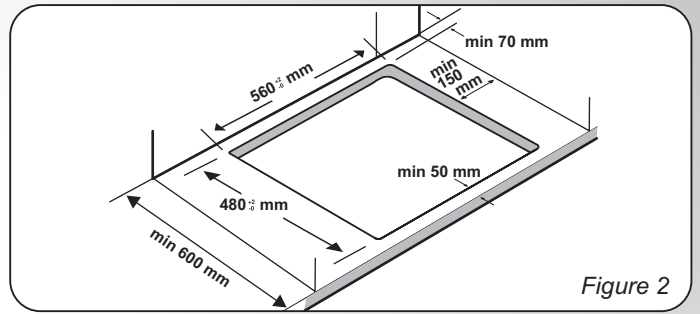


Figure 2

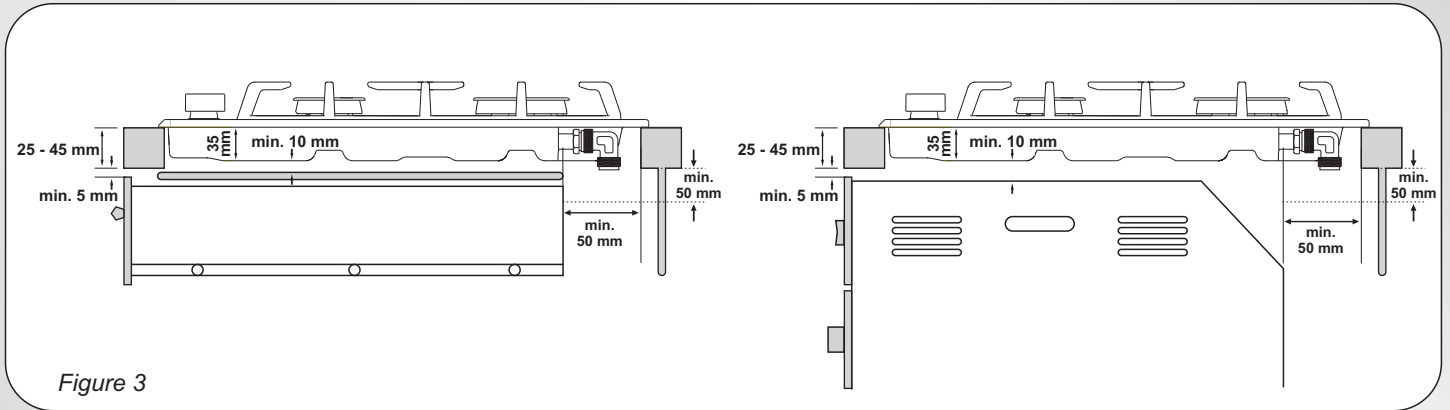


Figure 3

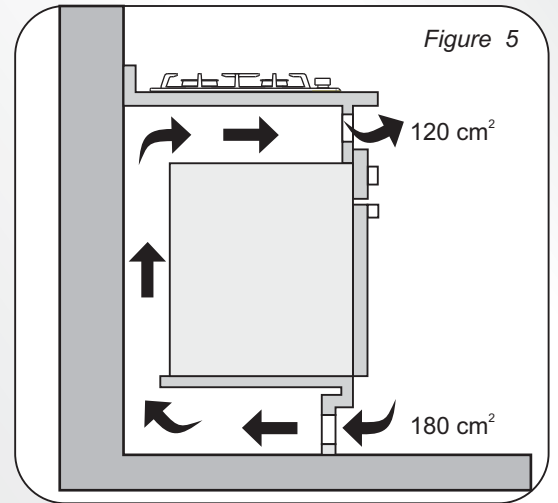
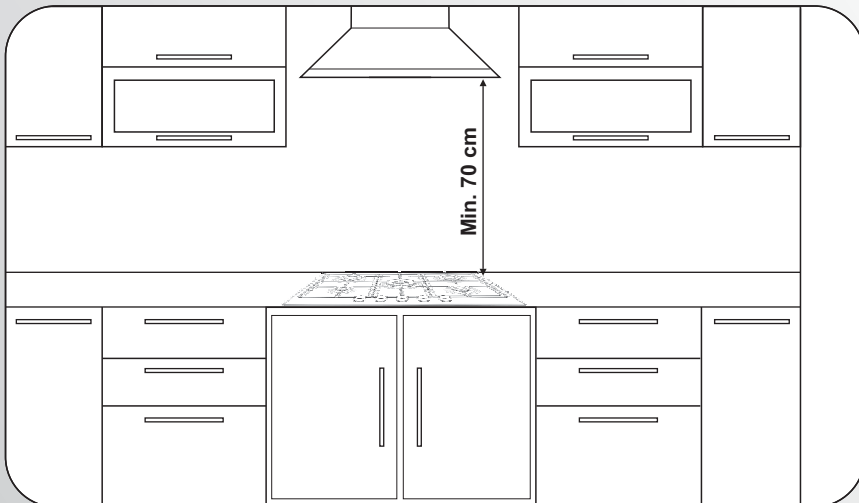


Figure 5

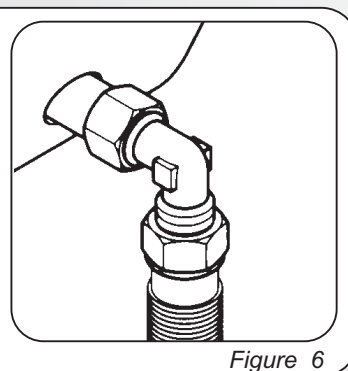
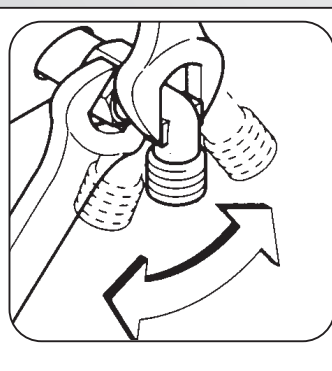
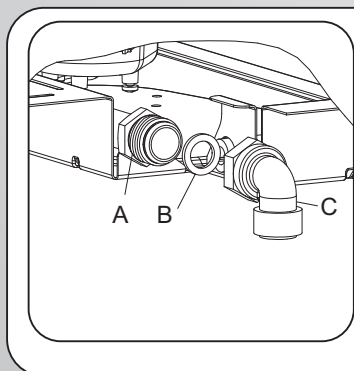


Figure 6

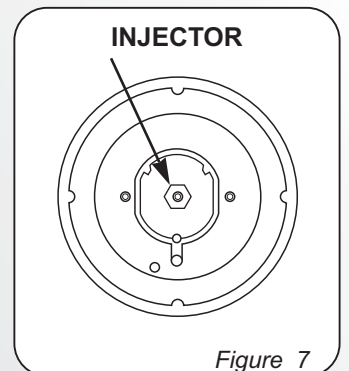


Figure 7

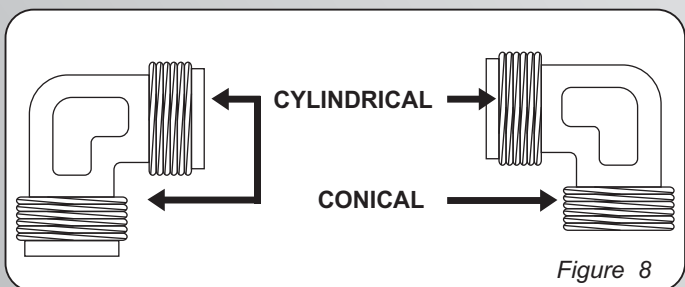


Figure 8

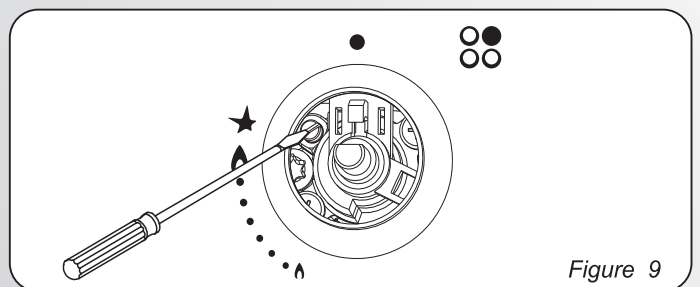


Figure 9

## SAFETY INSTRUCTIONS

We recommend you keep the instructions for installation and use for later reference, and before installing the hob, note its serial number in case you need to get help from the after sales service.

**WARNING:** the appliance and its accessible parts become hot during use. Care should be taken to avoid touching heating elements. Children under 8 years of age must be kept away from the appliance unless they are continuously supervised.

**WARNING:** use only hob guards designed by the Manufacturer of the cooking appliance or indicated by the Manufacturer of the appliance in the instructions for use as suitable or hob guards incorporated in the appliance. The use of inappropriate guards can cause accidents.

**WARNING:** unattended cooking on a hob with fat or oil can be dangerous and may result in fire. **NEVER** try to extinguish a fire with water, but switch off the appliance and then cover flame e.g. with a lid or a fire blanket.

**WARNING:** danger of fire: do not store items on the cooking surfaces.

**WARNING:** if the surface is cracked, do not touch the glass and switch off the appliance to avoid the possibility of electric shock.

This appliance can be used by children aged from 8 years and above and people with reduced physical, sensory or mental capabilities or lack of experience and knowledge if they have been given supervision or instruction concerning use of the appliance in a safe way and understand the hazards involved. Children should be supervised to ensure that they do not play with the appliance. Cleaning and user maintenance shall not be made by children without supervision.

**CAUTION:** the cooking process must be supervised. A short term cooking process has to be supervised continuously.

It is strongly recommended to keep children away from the cooking zones while they are in operation or when they are switched off, so long as the residual heat indicator is on, in order to prevent the risks of serious burns.

This appliance is not intended to be operated by means of an external timer or separate remote control system.

If present do not to stare into halogen lamp hob elements.

Connect a plug to the supply cable that is able to bear the voltage, current and load indicated on the tag and having the earth contact. The socket must be suitable for the load indicated on the tag and must be having the earth contact connected and in operation. The earth conductor is yellow-green in color. This operation should be carried out by a

suitably qualified professional. In case of incompatibility between the socket and the appliance plug, ask a qualified electrician to substitute the socket with another suitable type. The plug and the socket must be conformed to the current norms of the installation country. Connection to the power source can also be made by placing an omnipolar breaker between the appliance and the power source that can bear the maximum connected load and that is in line with current legislation.

The yellow-green earth cable should not be interrupted by the breaker. The socket or omnipolar breaker used for the connection should be easily accessible when the appliance is installed.

The disconnection may be achieved by having the plug accessible or by incorporating a switch in the fixed wiring in accordance with the wiring rules.

If the supply cord is damaged, it must be replaced by Manufacturer, its service agent or similarly qualified people in order to avoid a hazard. The earth conductor (yellow-green) must be longer than 10 mm on the terminal block side. The internal conductors section should be appropriate to the power absorbed by the hob (indicated on the tag). The type of power cable must be HO5V2V2-F.

Do not put metallic objects such as knives, forks, spoons or lids on the hob. They could heat up.

Aluminum foil and plastic pans must not be placed on heating zones.

After every use, some cleaning of the hob is necessary to prevent the build-up of dirt and grease. If left, this is recooked when the hob is used and burns giving off smoke and unpleasant smells, not to mention the risks of fire propagation.

Never use a steam or high pressure spray to clean the appliance.

Do not touch the heat zones during operation or for a while after use.

Never cook food directly on the glass ceramic hob.

Always use the appropriate cookware. Always place the pan in the center of the unit that you are cooking on.

Do not place anything on control panel.

Do not use the hob as a working surface.

Do not use the surface as a cutting board.

Do not store heavy items above the hob. If they drop onto the hob, they may cause damage.

Do not use the hob for storage of any items.

Do not slide cookware across the hob.



## 1. INSTRUCTIONS FOR THE INSTALLER

INSTALLING A DOMESTIC APPLIANCE CAN BE A COMPLICATED OPERATION WHICH IF NOT CARRIED OUT CORRECTLY, CAN SERIOUSLY AFFECT CONSUMER SAFETY. IT IS FOR THIS REASON THAT THE TASK SHOULD BE UNDERTAKEN BY A PROFESSIONALLY QUALIFIED PERSON WHO WILL CARRY IT OUT IN ACCORDANCE WITH THE TECHNICAL REGULATIONS IN FORCE. IN THE EVENT THAT THIS ADVICE IS IGNORED AND THE INSTALLATION IS CARRIED OUT BY AN UNQUALIFIED PERSON, THE MANUFACTURER DECLINES ALL RESPONSIBILITY FOR ANY TECHNICAL FAILURE OF THE PRODUCT WHETHER OR NOT IT RESULTS IN DAMAGE TO GOODS OR INJURY TO INDIVIDUALS.

### 1.1 BUILDING IN

The hob may be installed in any worktop which is heat resistant to a temperature of 100°C, and has a thickness of 25-45 mm. The dimensions of the insert to be cut out of the worktop are in shown in *Figure 2*.

If the Hob is fitted next to a cabinet on either side, the distance between the Hob and the cabinet must be at least 15 cm (*see Figure 4*); while the distance between the hob and the rear wall must be at least 70 mm. The distance between the hob and any other unit or appliance above it (e.g. An extractor hood) must be no less than 70 cm (*Figure 4*).

When there is an accessible space between the built-in hob and the cavity below, a dividing wall made of insulating material should be inserted (wood or a similar material) (*Figure 3*).

**Metal objects in the drawer may reach high temperatures due to air recirculation. It is therefore recommended to use an intermediate wood panel.**

**Important - The diagram in figure 1 shows how the sealant should be applied.**

The Hob unit is fitted by attaching the Fixing Clamps supplied, using the holes at the base of the unit.

If a hob of 60 cm is fitted above an oven which is not equipped with fan cooling system it is recommended that openings are created within the built in furniture to ensure correct air circulation.

The size of these openings must be at least 300 cm<sup>2</sup> and placed as shown in *Figure 5*.

When a 75 cm hob is fitted over a built in oven, the latter must be fan cooled.

### 1.2. SUITABLE LOCATION

This appliance must be installed in accordance with the regulations in force and only used in a well ventilated space. Read the instructions before installing or using this appliance.

A gas-powered cooking appliance produces heat and humidity in the area in which it is installed. For this reason you should ensure good ventilation either by keeping all natural air passages open or by installing an extractor hood with an exhaust flue. Intensive and prolonged use of the appliance may require extra ventilation, such as the opening of a window or an increase in speed of the electric fan, if you have one.

If a hood can not be installed, an electric fan should be fitted to an outside wall or window to ensure that there is adequate ventilation.

The electric fan should be able to carry out a complete change of air in the kitchen 3-5 times every hour. The installer should follow the relevant national standards.

## 2. ELECTRICAL CONNECTION (FOR U.K. ONLY)

### Warning - this appliance must be earthed

This appliance is designed for domestic use only. Connection to the main supply must be made by a competent electrician, ensuring that all current regulations concerning such installations are observed.

The appliance must only be connected to a suitably rated spur point, a 3 pin 13 amp plug/socket is not suitable. A double pole switch must be provided and the circuit must have appropriate fuse protection. Further details of the power requirement of the individual product will be found in the users' instruction and on the appliance rating plate. In the case of built-in product you are advised, should you wish to use a longer cable than the one supplied, that a suitably rated heat resistant type must be used.

The wiring must be connected to the mains supply as follows:

CONNECT	TO SPUR TERMINAL
Green & Yellow Wire	Earth Connection
Blue Wire	Neutral Connection
Brown Wire	Live Connection

**Note:** We do not advocate the use of earth leakage devices with electric cooking appliances installed to spur points because of the «nuisance tripping» which may occur. You are again reminded that the appliance must be correctly earthed, the manufacturer declines any responsibility for any event occurring as a result of incorrect electrical installation.

### 2.1. ELECTRICAL CONNECTION

Check the data on the rating plate, located on the outside of the unit, to ensure that the supply and input voltage are suitable.

Before connection, check the earthing system.

By Law, this appliance must be earthed. If this regulation is not complied with, the Manufacturer will not be responsible for any damage caused to persons or property. If a plug is not already attached, fit a plug appropriate to the load indicated on the rating plate. The earth wire is coloured yellow/green. The plug should always be accessible.

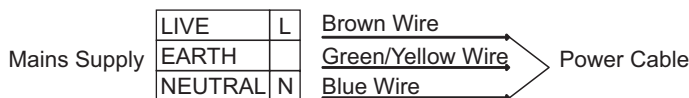
Where the Hob is connected direct to the electricity supply, a circuit breaker must be fitted.

If the power supply cord is damaged this is to be replaced by a qualified engineer so as to prevent any potential risk.

The earth wire ( green and yellow coloured ) must be at least 10 mm longer than the live and neutral wires.

The section of the cable used must be of the correct size in relation to the absorbed power of the hob.

Please check rating plate for the power details and ensure that the power supply cord is of the type 3x0.75 mm<sup>2</sup> H05 V2V2-F.



If an appliance is not fitted with a supply cord and a plug, or with other means for disconnection from the supply mains having a contact separation in all poles that provide full disconnection under overvoltage category III conditions, the instructions shall state that means for disconnection must be incorporated in the fixed wiring in accordance with the wiring rules.

### 2.2. GAS CONNECTION

These instructions are for qualified personnel, installation of equipment must be in line with the relevant national standard. **(For U.K. only: by law the gas installation/commissioning must be carried out by a "Gas Safe" installer)**

All work must be carried out with the electricity supply disconnected.

The rating plate on the hob shows the type of gas with which it is designed to be used. Connection to the mains gas supply or gas cylinder should be carried out after having checked that it is regulated for the type of gas with which it will be supplied. If it is not correctly regulated see the instructions in the following paragraphs to change gas setting.

For liquid gas (cylinder gas) use pressure regulators which comply with the relevant national standards.

Use only pipes, washers and sealing washers which comply with the relevant national standards.

For some models a conic link is furnished to outfit for the installation in the countries where this type of link is obligatory; in picture 8 it is pointed out how to recognize the different types of links (CY = cylindrical, CO = conic). In every case the cylindrical part of the link has to be connected to the hob.

When connecting the hob to the gas supply via use offlexible hoses please ensure that the maximum distance covered by the hose does not exceed 2 metres.

The flexible tube shall be fitted in such a way that it cannot come into contact with a moveable part of the housing unit (e.g. a drawer) and does not pass through any space where it may become crushed/ kinked or damaged in any way.

To prevent any potential damage to the hob please carry out the installation following this sequence (picture 6):

#### 1)As illustrated, assemble parts in sequence:

- A: 1/2 Male Adaptor Cylindrical
- B: 1/2 Seal
- C: 1/2 Female Gas Adaptor Conical-Cylindrical or Cylindrical-Cylindrical

2) Tighten the joints with the spanner, remembering to twist the pipes into position.

3) Attach fitting C to mains gas supply using rigid copper pipe or flexible steel pipe.

**IMPORTANT:** carry out a final check for leaks on the pipe connections using a soapy solution. NEVER USE A FLAME. Also, make sure that the flexible pipe cannot come into contact with a moving part of the cabinet (eg. adrawer) and that it is not situated where it could be damaged.

**Warning:** If gas can be smelt in the vicinity of this appliance turn off the gas supply to the appliance and call the engineer directly. Do not search for a leak with a naked flame.

### 2.3. ADAPTING THE HOB TO DIFFERENT TYPES OF GAS

To adapt the Hob for use with different types of gas, carry out the following instructions:

- Remove the grids and burners
- Insert on hexagonal spanner (7 mm) into the burner support (Figure 7)
- Unscrew the injector and replace it with one suitable for the gas to be used (see gas type table)

### 2.4. REGULATING THE MINIMUM FLAME

After lighting the burners, turn the control knob to the minimum setting and then remove the knob (this can easily be removed by applying gentle pressure).

Using a small «Terminal» type screwdriver the regulating screw can be adjusted as in Figure 9. Turning the screw clockwise reduces the gas flow, whilst turning it anticlockwise increases the flow – Use this adjustment to obtain a flame of approximately 3 to 4 mm in length and then replace the control knob.

When the gas supply available is LPG - the screw to set the idle flame must be turned (clockwise) to the end stop.

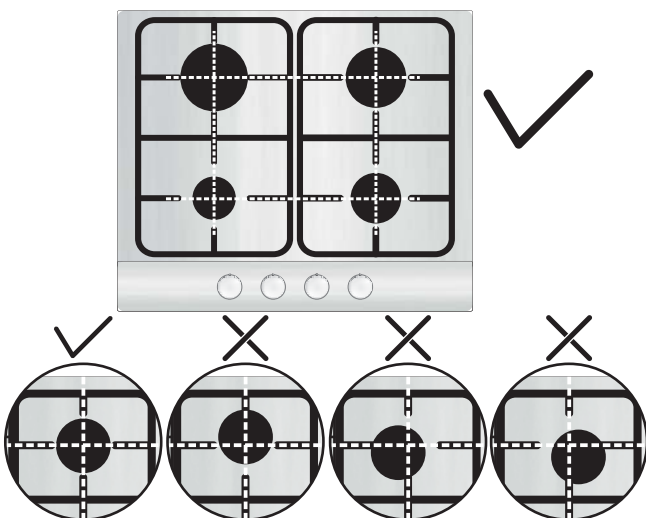
When you have carried out the new gas regulation, replace the old gas rating plate on your appliance with one (supplied with hob) suitable for the type of gas for which it has been regulated.

### 3. USE OF HOB - USER INSTRUCTIONS

This appliance must only be used for the purpose for which it is intended, domestic cooking, and any other use will be considered improper and could therefore be dangerous. The Manufacturer will not be responsible for any damage or loss resulting from improper use.

Before using burner, be sure, grid perimeters center the burner as below figure.

If you are using Cast Iron Grids; underneath the grid, position of it is stated. Be sure for the exact grid is used in correct position.



### 3.1. USING THE GAS BURNER

To ignite the burners, place a lighted taper close to the burner, press in and turn the control knob anti-clockwise.

If the burners have not been used for a couple of days, wait for a few seconds before lighting the burner, this will allow any air present in the pipes to escape.

For appliances fitted with electronic ignition carry out the following:

- Push in and turn the knob anticlockwise to the ignition symbol.
  - Ignite the burner by pressing the sparker button.
- For hobs fitted with automatic ignition simply push in and turn the knob to the ignition symbol.

The ignition system will continue to generate sparks as long as the control knob is being pressed.

If the burner has not ignited within 5 seconds, turn the knob to the 0 position and repeat the operation.

For models fitted with a safety tap (which cuts-off the flow of gas if the flame is accidentally extinguished) the burners are ignited and described above, but care must be taken.

Prior to switching on the gas hob ensure that the burners and burner caps are correctly placed within their position.

**Warning:** If there is no electricity on appliance, to ignite the burner a lighter should be used;

- Push in and turn the knob anti-clockwise to the ignition symbol,
- While pushing in the button ignite the burner by using a lighter and keep button pushed in 5 seconds after ignition.

#### GENERAL ADVISE

For best results, use cooking vessels with a flat surface. The size of the surface should match the gas burner side as follows. Table A.

Burner Type	Ø pan/pot (cm)	Power (kW)	G20/20 mbar (methane)	G30/28-30 mbar (LPG)
AUX Auxiliary	12 - 18	1,00	95 l/h	73 g/h
SR Semi Rapid	18 - 22	1,75	167 l/h	127 g/h
R Rapid	24 - 26	2,70	257 l/h	196 g/h
DC 4 kW DUAL	26 - 28	4,00	381 l/h	291 g/h
DC 4,2 kW DUAL	26 - 28	4,20	400 l/h	306 g/h
DC 5 kW DUAL	26 - 28	5 NG 4,6 LPG	476 l/h	364 g/h

Table A

For smaller containers the gas burner should be regulated so that the flame does not overlap the base of the pan. Vessels with a concave or convex base should not be used.

**WARNING:** If a flame is accidentally extinguished, turn the knob to the off position and do not attempt to re-ignite if for at least 1 minute.

If over the years the gas taps become stiff to turn it is necessary to lubricate them.

**Such operation must be carried out only by qualified Service Engineers.**

### 4. MAINTENANCE AND CLEANING

Before cleaning the hob, ensure the appliance has cooled down. Remove the plug from the socket or (if connected directly) switch off the electricity supply.

Cleaning and user maintenance shall not be made by children without supervision

Never use abrasives, corrosive detergents, bleaching agents or acids. Avoid any acid or alkaline substances (lemon, juice, vinegar etc.) on the enamelled, varnished or stainless steel sections.

When cleaning the enamelled, varnished or chrome sections, use warm soapy water or a non caustic detergent. For stainless steel use an appropriate cleaning solution.

The burners can be cleaned with soapy water. To restore their original shine, use a household stainless steel cleaner. After cleaning, dry the burners and replace.

**It is important the Burners are replaced correctly.**

### Chromed grids and burners

Chromed grids and burners have a tendency to discolour with use. This does not jeopardize the functionality of the hob.

Our After Sales Service Centre can provide spare parts if required.

## 5. AFTERCARE

Before calling out a Service Engineer please check the following:

- that the plug is correctly inserted and fused;
- that the gas supply is not faulty.

If the fault cannot be detected:

Switch off the appliance and call the After Service Centre. **DO NOT TAMPER WITH THE APPLIANCE.**

## 6. PROTECTION OF THE ENVIRONMENT



This appliance is marked according to the European directive 2012/19/EU on Waste Electrical and Electronic Equipment (WEEE). WEEE contains both polluting substances (which can cause negative consequences for the environment) and basic components (which can be re-used). It is important to have WEEE subjected to specific treatments, in order to remove and dispose properly all pollutants, and

recover and recycle all materials.

Individuals can play an important role in ensuring that WEEE does not become an environmental issue; it is essential to follow some basic rules:

- WEEE shall not be treated as household waste.
- WEEE shall be handed over to the relevant collection points managed by the municipality or by registered companies. In many countries, for large WEEE, home collection could be present.
- When you buy a new appliance, the old one may be returned to the retailer who has to collect it free of charge on a one-to-one basis, as long as the equipment is of equivalent type and has the same functions as the supplied equipment.

**Declaration of compliance:** This equipment, in the parts intended to come into contact with food, complies with the regulations laid down in EEC directives 89/109.

The appliance complies with European Directive 2009/142/EC (GAD) and starting from 21/04/2018 with Gas Appliances Regulation 2016/426 (GAR).

By placing the **CE** mark on this product, we are confirming compliance to all relevant European safety, health and environmental requirements which are applicable in legislation for this product.

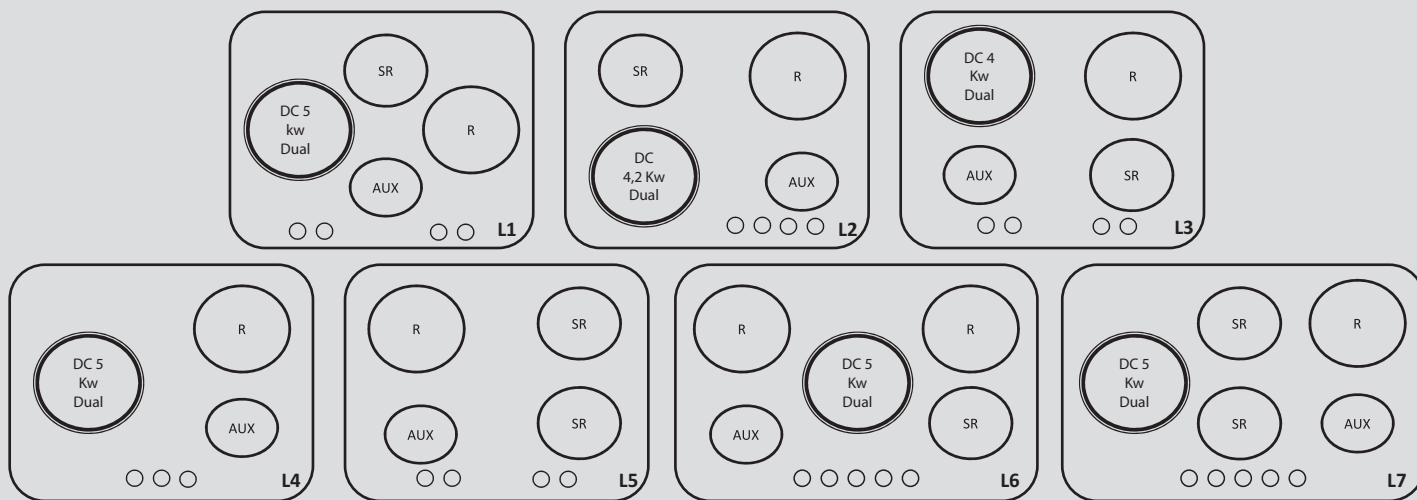
*The Manufacturer will not be responsible for any inaccuracy resulting from printing or transcript errors contained in this brochure. We reserve the right to carry out modifications to products as required, including the interests of consumption, without prejudice to the characteristics relating to safety or function.*

Table 1


Burner Plate	3 Gas	4 Gas	4 Gas	4 Gas	4 Gas	5 Gas	5 Gas
Burner	Aux/R/DC 5 Dual	Aux/SR/R	Aux/SR/R/DC 4 Dual	Aux/SR/R/DC 4,2 Dual	Aux/SR/R/DC 5 Dual	DC/2R/SR/AUX	DC/2R/SR/AUX
Type	UH60MF	UH60MF	UH60MF	UH60MF	UH60MF	UH75MF	UH75MF
FFD	YES	YES	YES	YES	YES	YES	YES
Aux 1kW	1	1	1	1	1	1	1
Sr 1,75 kW	-	2	1	1	1	1	2
R 2,7 kW	1	1	1	1	1	2	1
Dc 4 kW Dual	-	-	1	-	-	-	-
Dc 4,2 kW Dual	-	-	-	1	-	-	-
Dc 5 kW Dual	1	-	-	-	1	1	1
Nominal Heat Input	8,7 kW (NG) 8,3 kW (LPG)	7,2 kW	9,45 kW	9,65 kW	10,45 kW 10,05 kW	13,15 kW 12,75 kW	12,2 kW 11,8 kW
G20/20 mbar	829 l/h	686 l/h	900 l/h	920 l/h	996 l/h	1252 l/h	1162 l/h
G30/28-30 mbar	604 g/h	524 g/h	688 g/h	702 g/h	731 g/h	957 g/h	888 g/h
Installation Class	3	3	3	3	3	3	3
Voltage V/Frequency Hz	220-240 V/ 50-60 Hz	220-240 V/ 50-60 Hz	220-240 V/ 50-60 Hz	220-240 V/ 50-60 Hz	220-240 V/ 50-60 Hz	220-240 V/ 50-60 Hz	220-240 V/ 50-60 Hz
Electrical Input Power	1	1	1	1	1	1	1
Electric Ignition	YES	YES	YES	YES	YES	YES	YES
Product Dimension	595x510	595x510	595x510	595x510	595x510	745x510	745x510

*This appliance has been designed for non-professional, i.e. domestic, use.*





## HOBS GAS TYPE

	Gas Type		G20	G20	G25.1	G25.3	G30	G30	G30
	Gas Pressure		20 mbar	25 mbar	25 mbar	25 mbar	29 mbar	37 mbar	50 mbar
Burners	Max (kW)	Min (kW)	Injector NG	Injector NG	Injector NG	Injector NG	Injector LPG	Injector LPG	Injector LPG
Aux	1	0,3	72X	70X	74F1	72F1	50	46	43H2
Sr	1,75	0,44	97Z	91Z	98Y	102F3	65	61	58M
R	2,7	0,75	109Y	110F3	120F2	115F2	80	78	73S
Dc 4 kW Dual	4	2,3	138H3-70H1	132H3-65H1	132F3-68F1	128K-68F1	93-44	86-41	68F4-41H2
Dc 4,2 kW Dual	4,2	2,3	140H3-70H1	135H3-65H1	143F3-68F1	130K-68F1	95-44	90-41	73F4-41H2
Dc 5 kW Dual	5	2,3	158H3-70H1	150H3-65H1	148F2-68F1	150F3-68F1	100-44	95-41	78F4-41H2

Gas Categories	II2E+3+	II2H3+	II2H3B/P
	G20 20 mbar	G20 20 mbar	G20 20 mbar
	G30/31 28-30/37 mbar	G30 28-30mbar	G30/31 30/30 mbar
		G31 37 mbar	
Countries	BE,FR	CY,CZ,GB,GR,IE,IT,PT,SI, ES,TR,CH	BG, HR,DK,EE,FI,LV,LT,NO,RO,SK,SE,CZ,SI,TR

Gas Categories	II2H3B/P	II2EKSB/P	II2EKB/P	II2E3B/P	II2E3B/P
	G20 20 mbar	G25.3 25 mbar	G20 25mbar	G20 20 mbar	G20 20 mbar
	G30/31 50/50 mbar	G20 20 mbar	G2.1 25mbar	G30/31 37/37 mbar	G30/31 50 mbar
		G30/31 30/30 mbar	G30/31 30/30 mbar		
Countries	AT,CH,DE	NL	HU	PL	DE

## Efficiency Declaration 2016/426

DIAMOND (L1)				BIG REAR (L3, L5)				BIG FRONT (L2)			
SINGLE BURNER EFFICIENCY				SINGLE BURNER EFFICIENCY				SINGLE BURNER EFFICIENCY			
AUX	SR	R	DC	AUX	SR	R	DC	AUX	SR	R	DC
-	55%	55,90%	55,90%	-	57,10%	55,90%	54,30%	-	60%	55,90%	54,30%
<b>MEDIUM %55,6</b>				<b>MEDIUM %55,8</b>				<b>MEDIUM %56,7</b>			

75 cm CENTER (L6)				75 cm LATERAL (L7)			
SINGLE BURNER EFFICIENCY				SINGLE BURNER EFFICIENCY			
AUX	SR	R	DC	AUX	SR	R	DC
-	54,5%	54,4%	59,4%	-	57,1%	52,8%	55,9%
<b>MEDIUM %55,7</b>				<b>MEDIUM %55,7</b>			

**GB - IE**

The manufacturer will not be responsible for any inaccuracy resulting from printing or transcript errors contained in this brochure. We reserve the right to carry out modifications to products as required, including the interests of consumption, without prejudice to the characteristics relating to safety or function.

**FR**

Le constructeur décline toute responsabilité concernant d'éventuelles inexactitudes imputables à des erreurs d'impression ou de transcription contenue dans cette notice. Le constructeur se réserve le droit de modifier les produits en cas de nécessité, même dans l'intérêt de l'utilisation, sans causer de préjudices aux caractéristiques de fonctionnement de sécurité des appareils.

**CZ**

Výrobce nezodpovídá za nepřesnosti obsažené v této příručce vzniklé při tisku nebo překladu. Vyhrazujeme si právo provádět úpravy výrobku podle potřeby, aniž by byly dotčeny charakteristiky vztahující se k bezpečnosti nebo provozu.

**DE**

Der Hersteller übernimmt keine Haftung für eventuelle Druck- oder Übersetzungsfehler dieser Bedienungsanleitung. Der Hersteller behält sich vor technische Änderungen zur Verbesserung der Produktqualität im Interesse des Endverbrauchers vorzunehmen.

**ES**

La empresa constructora declina toda responsabilidad derivada de eventuales errores de impresión contenidos en el presente libro. Se reserva además el derecho de realizar las modificaciones que se consideren útiles a los productos sin comprometer las características esenciales.

**PL**

Producent nie będzie ponosić odpowiedzialności za jakiegokolwiek niedokładności wynikające z druku lub błędów tłumaczenia występujące w niniejszej broszurze. Zastrzegamy sobie prawo do wprowadzania modyfikacji produktu zgodnie z potrzebami, w tym w interesie konsumenta, bez szkody dla charakterystyk dotyczących bezpieczeństwa lub działania.

**TR**

Üretici, bu klavuzda meydana gelecek baskı hatalarından sorumlu değildir. Üretici gerekli olması durumunda ürünün emniyet ve işlevine ilişkin olmamak kaydıyla üründe değişiklik yapma hakkını saklı tutar.

**RU**

Производитель не несет ответственности за опечатки и неточности, которые могут встретиться в данной инструкции. Мы оставляем за собой право вносить изменения в конструкции выпускаемых нами изделий с целью улучшения качества выпускаемой продукции. При этом основные функции изделия и его безопасность будут оставаться неизменными.

**SI**

Proizvajalec ni odgovoren za napake v tej knjižici, ki bi nastale ob tisku ali prepisu. Pridržujemo si pravico izvajanja potrebnih sprememb na izdelku, tudi tistih, ki se nanašajo na porabo, brez škode za varnost in funkcionalnost naprave.

**IT**

La Ditta costruttrice declina ogni responsabilità per eventuali errori di stampa contenuti nel presente libretto. Si riserva inoltre il diritto di apportare le modifiche che si renderanno utili ai propri prodotti senza compromettere le caratteristiche essenziali.

**PT**

O fabricante não será responsável por quaisquer imprecisões resultantes de impressão ou transcrição de erros contidos na presente brochura. Reservamo-nos ao direito de efectuar alterações aos produtos, conforme necessário, incluindo as taxas de consumo, sem prejuízo das características relacionadas com a segurança ou funcionamento.

**HU**

A gyártó nem vállal felelősséget az ebben a kiadványban előforduló nyomtatási és elírási hibákból eredő pontatlanságokért. A biztonsággal vagy a működéssel kapcsolatos jellemzők sérelme nélkül fenntartjuk a jogot a termékek szükség szerinti változtatására.

**RO**

Producătorul nu se face responsabil pentru erorile de printare din acest manual. Ne rezervăm dreptul de a realiza modificări asupra produselor fără a afecta caracteristicile privind siguranța sau funcționarea. Versiunea în limba engleză este de referință.

**NL**

De fabrikant stelt zich niet aansprakelijk voor eventuele drukfouten in deze brochure. Kleine veranderingen en technische ontwikkelingen zijn voorbehouden.