

Users Guide & Installation Handbook



Stoves
H2H HDCN601

Part No 083714700 Date 28/02/2018

CONTENTS & INTRODUCTION

CONTENTS

- SAFETY
- USING THE PRODUCT
- CARE & CLEANING
- INSTALLATION INSTRUCTIONS
- TECHNICAL DATA
- CUSTOMER CARE

INTRODUCTION

Thank you for buying this high quality hood from Stoves.

This guide book is designed to help you through each step of owning your new appliance, from installation to use. Please read it carefully before you start using your product, as we have endeavored to answer as many questions as possible, and provide you with as much support as we can.

If, however, you should find something missing, or not covered, please contact our Customer Care team. Their number is located on the back page of this book.

For customers outside the UK and Northern Ireland, please contact your local supplier.

When you dial this number you will hear a recorded message and be given a number of options. This indicates that your call has been accepted and is being held in a queue. Calls are answered in strict rotation as our Customer care representatives become available.

Alternatively, general information, spares and service information is available from our website. The address is located on the back page of this book.

WARRANTY

Your new appliance comes with a manufacturer's guarantee, protecting you against electrical and mechanical breakdown. To register, please complete the registration form included, register online or by phone.

For full terms & conditions of the manufacturer's guarantee, refer to the website on the back of this book.

European Directives



As a producer and a supplier of cooking appliances we are committed to the protection of the environment and are in compliance with the WEEE directive. All our electric products are labelled accordingly with the crossed out wheeled bin symbol. This indicates, for disposal purposes at end of life, that these products must be taken to recognised collection points, such as local authority sites/local recycling centres.

This appliance Complies with European Community Directives (CE) for household and similar electrical appliances and Gas appliances where applicable.

Hereby, Glen Dimplex Home Appliances Ltd. declares that the radio equipment type ST H2H HDCN601 is in compliance with Directive 2014/53/EU. The full text of the EU declaration of conformity is available at the following internet address, in the online version of this handbook: www.stoves.co.uk

This appliance conforms to European Directive 2009/125/EC regarding Eco design requirements for energy-related products.

Our policy is one of constant development and improvement, therefore we cannot guarantee the strict accuracy of all of our illustrations and specifications - changes

CONTENTS & INTRODUCTION

may have been made subsequent to publishing.

WARRANTY EXCLUSIONS

Damage or calls resulting from transportation, improper use or relating to the replacement of consumable parts.

Costs incurred for calls to put right an appliance which is improperly installed.
Appliances found to be in use within a commercial environment, plus those which are subject to rental agreements.

Before using the hood

Make sure that you have removed all packaging, wrappings, stickers and films from the hood surfaces.

See the customer care section for details of how to obtain all the available cleaning products.

SAFETY

WARNING

- Children less than 8 years of age shall be kept away unless continuously supervised. This appliance can be used by children aged from 8 years and above and persons with reduced physical sensory or mental capabilities or lack of experience and knowledge if they have been given supervision or instruction concerning the use of the appliance in a safe way and understand the hazards involved. Children shall not play with the appliance. Cleaning and user maintenance shall not be made by children without supervision.
- Means for disconnection must be incorporated in the fixed wiring in accordance with the wiring rules.
- It is necessary to allow disconnection of the appliance from the supply after installation. The disconnection may be achieved by having the plug accessible or by incorporating a switch in the fixed wiring in accordance with the wiring rules.
- This device must be connected to the supply network through either a plug fused 3 Amp or hardwired to a 1 phase spur protected by 3 Amp fuse.
- If the supply cord is damaged, it must be replaced by the manufacturer, its service agent or similarly qualified persons in order to avoid a hazard. The replacement power cord should be provided by the manufacturer.
- There shall be adequate ventilation of the room when the hood is used at the same time as appliances burning gas or other fuels (not applicable to appliances that only discharge the air back into the room).
- The appliance should be cleaned every 2-3 months according to the “CARE & CLEANING” section of this handbook.
- There is a risk of fire if cleaning is not carried out in accordance with the instructions.
- Do not flambé under the cooker hood.
- The air must not be discharged into a flue that is used for exhausting fumes from appliances burning gas or other fuels (not applicable to appliances that only discharge the air back into the

room).

- All regulations concerning the discharge of air have to be fulfilled.

CAUTION

- Accessible parts may become hot when used with cooking appliances.

- **Fire Safety Advice**

If you do have a fire in the kitchen, don't take any risks - get everyone out of your home and call the Fire Brigade.

If you have an electrical fire in the kitchen:

- Pull the plug out, or switch off the power at the fuse box - this may be enough to stop the fire immediately.
- Smother the fire with a fire blanket, or use a dry powder or carbon dioxide extinguisher.
- Remember: never use water on an electrical or cooking oil fire.

- **Other Safety Advice**
- There is a risk of electric shock, so always make sure you have turned off and unplugged your appliance before starting to clean it. Always allow the product to cool down before you change a bulb.
- This appliance must be earthed.
- The appliance must never be disconnected from the mains supply during use, as this will seriously affect the safety and performance, particularly in relation to surface temperatures becoming hot and gas operated parts not working efficiently.
- **GAS WARNING!** - If you smell gas: Do not try to light any appliance, Do not touch any electrical switch. Contact the National Grid Gas Emergency Service, on 0800 111 999, immediately. Contact your local gas supplier.

USING THE HOOD



7



6



5



4



3



2



1

1 ON/OFF KEY

4 POWER LEVEL DISPLAY

7 LIGHT KEY

2 BOOST KEY

5 MINUS KEY

3 PLUS KEY

6 WIRELESS CONNECTION KEY

Note: Generic illustration shown above your appliance may visually differ.

Once the hood is powered on a beep will sound and the symbols will briefly flash for 1 second to indicate that the hood has been powered on.

MANUAL CONTROLS

This range hood can be manually controlled, if **not** connected to a compatible hob.

Central On/Off Switch

To switch on the hood

1) Touch the On/Off Key

The power light will illuminate and the hob will start to extract air on the lowest setting.

To switch off the hood

1) Touch the On/Off Key

The hood will enter a 3 minute delayed shutdown state, during which it extracts at a low rate to clean the air in the kitchen after cooking.

If you prefer to switch off the hood immediately, then touch the On/Off Key one more time.

Power Boost

To activate the boost function

1) Touch the boost key.

The power level display will show a "b" as long as the boost is active.

To deactivate the boost function

1) Touch the minus button.

The boost will deactivate automatically after 8 minutes.

Light

Touching the light key will switch the lighting on or off independently of the extractor fan.

Plus

Touch the plus key whilst the hood is operating to increase the current setting. The current extractor level will be displayed on the power level display.

Minus

Touch the minus key whilst the hood is operating to decrease the current setting. The current extractor level will be displayed on the power level display.

USING THE HOOD

AUTOMATIC CONTROLS

This range hood can be automatically controlled, if connected to a compatible hob. See the hob manual for details.

Please contact Customer Care to find a compatible hob.

WIRELESS HOB CONNECTION

This hood can be wirelessly connected to a compatible hob.

If the hob is connected to the hood, it will automatically control the hood's lighting when the hob is switched on/off and the power level of the hood.

The power level of the hood will be adapted to the highest set power level on the hob. See hood power levels in the table below.

If pairing fails, the wireless indicator will switch off after 60 seconds.

A hob and hood need to be paired only 1 time. Once they are paired, the hood can be connected and disconnected by touching the wireless connector on the hood.

Note: If the hob is being switched off, the connected cooker hood will shut down automatically after 3 minutes. During these 3 minutes the hood will extract at low rate to clean the air in the kitchen.

Highest cooking zone power level on hob	Power level for cooker hood
Keep Warm	1
1, 2, 3	1
4, 5, 6	2
7, 8	3
9, Boost	Boost
Pause/Off	3 mins of air cleaning

To pair a hob wirelessly

- 1) Touch and hold the wireless connection key on the **hob** for at least 3 seconds until the indicator LED starts flashing.
- 2) Touch and hold the wireless connection key on the **hood** for at least 3 seconds until the indicator LED starts flashing.
- 3) Once the hob and the cooker hood are paired successfully, the wireless indicators will be lit continuously on both appliances.

CARE & CLEANING

COOKER HOOD

Before cleaning the appliance, or carrying out any maintenance work, please switch off the electricity supply.

Replacing the LED Lights

If the appliance version is with LED lamps, the intervention of a specialised technician is necessary to replace them.

Outer Casing

All external parts of the outer casing can be safely cleaned with a clean cloth wrung out in hot soapy water.

Do not use caustic pastes, abrasive cleaning powders, wire wool, hard implements, or any products containing chlorides as they will damage the surfaces.

Stubborn marks can be removed using a stainless steel cleaner. We recommend that you clean the whole of the stainless steel area to maintain a uniform finish.

Sharp objects can mark the surface of stainless steel, but marks will become less noticeable with time.

To maintain the finish of the stainless steel, or to remove any greasy marks, wipe the stainless steel surface sparingly with a minimum amount of Baby Oil and kitchen paper.

Do not use cooking oils, as these may contain salt, which can damage the stainless steel surface.

Before cleaning the appliance, or carrying out any maintenance work, please switch off the electricity supply.

To avoid any fire risk, the following cleaning instructions must be followed:

Grease Filters

The grease filters absorb grease and dust from cooking fumes, which would otherwise damage the inside of the hood.

The grease filters should be removed and cleaned regularly - with normal use, this should be every 2 months.

To clean use warm soapy water, or wash in a dishwasher. Washing aluminium grease filters in a dishwasher can cause the grease filters to discolour, however this does not affect their function or performance in any way.

Important: Frequent washing is essential to prevent a build-up of grease in the filters which could become a fire hazard.

- 1) Remove the filters according to Fig. 1.
- 2) Carefully wash the grease filters in hot soapy water and dry with a clean towel.
- 3) Refit the clean filters.

Alternatively you can:

- 1) Remove the filters according to Fig. 1.
- 2) Put them into a dishwasher with detergent, set the temperature below 60 °C. Only use detergent which has been specifically designed for use in domestic dishwashers. Grease filters will need to be placed into the dishwasher basket in the landscape (sideways) orientation to prevent the grease filters blocking the spray arms from turning. Washing aluminium grease filters in a dishwasher can cause the grease filters to discolour, however this does not affect their function or performance in any way.
- 3) Refit the clean filters.

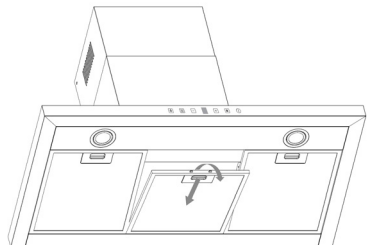


Fig. 1 - Your model might differ slightly

CARE & CLEANING

Carbon Filters (Optional)

Carbon filters are only required if the hood is being used in recirculation mode.

The carbon filters absorb cooking odours and need replacing after about 2-3 months of normal use. Replacement carbon filters can be obtained from our Customer Care.

How often the carbon filters need to be replaced depends on how often the hood is used, the type of cooking being carried out and how often the grease filters are cleaned. When the carbon filters are no longer effective at removing cooking odours, they should be replaced.

The carbon filters cannot be washed or reused; replace them every 2-3 months.

The carbon filters are not supplied with the appliance; they are available as an optional extra.

To fit the carbon filters:

- 1) Remove the grease filters as shown in Fig 1.
- 2) You will see cylindrical lugs on either side of the motor assembly.
- 3) Place a circular carbon filter on each of these cylindrical lugs and turn the filters clockwise to lock them into position.
- 4) When the time comes to replace the carbon filters, turn them anti-clockwise to unlock them and remove them from the lugs, so that new carbon filters can be fitted.

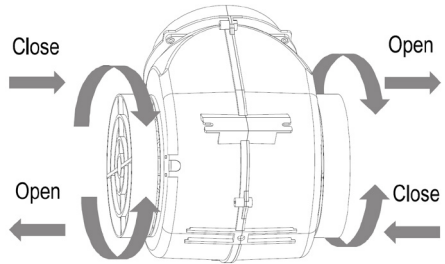


Fig. 2

INSTALLATION

General information

Installation should only be carried out by a qualified installer or engineer.

Please keep to the following points most carefully;

Although every care has been taken to ensure this appliance has no burrs, or sharp edges, we recommend that you wear protective gloves when installing and moving this appliance. This will prevent injury.

The minimum distances to other appliances and units are to be observed.

Installations should be carried out in line with the National Regulations applicable with this product type.

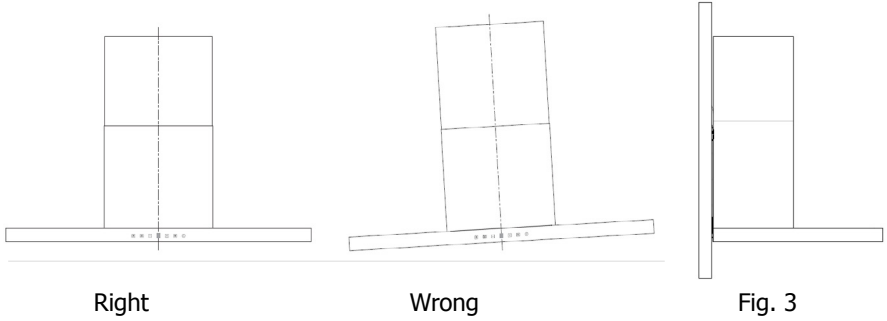
Built-in appliances may only be used after they have been built-in to suitable built-in units and surfaces that meet the required standards.

Do Not

Do not expose this product to contamination by dust, building debris, sawdust etc, it is recommended that this product is stored in a clean environment until you are ready to install it.

Before installation any dust, building debris, sawdust etc should be vacuumed away to ensure no contamination will enter the unit. Failure to follow this advice can cause the product to fail or reduce the life of the product.

INSTALLATION



Option	Chimney	X
✓	400x400	110-500
	500x500	210-700
	600x600	310-900

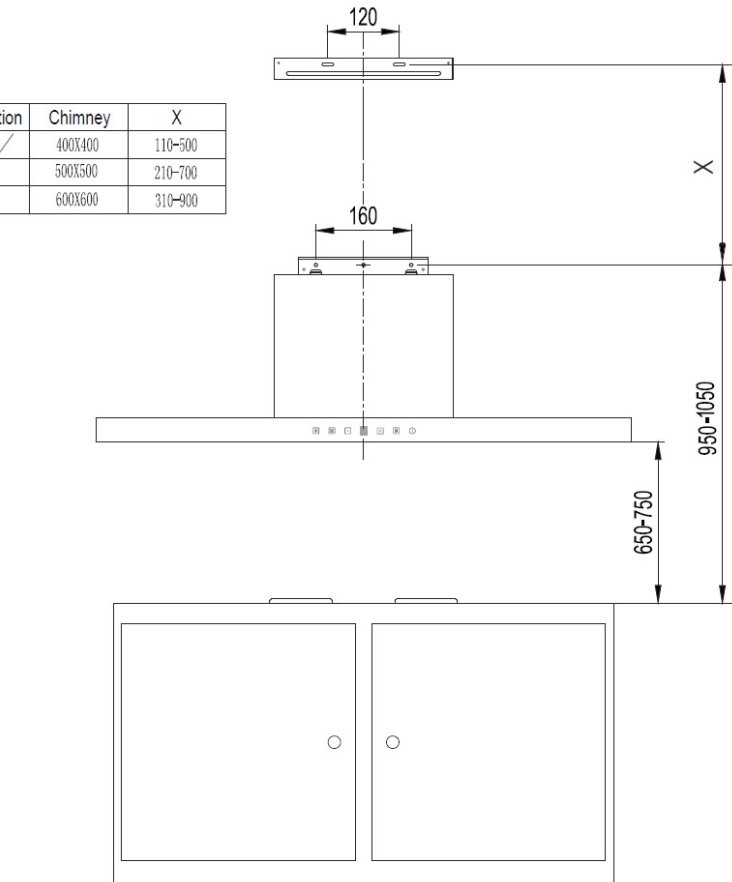
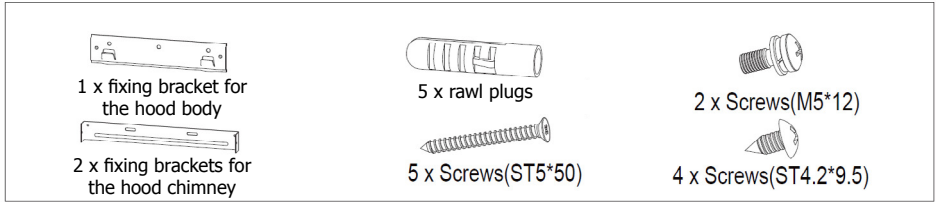


Fig. 4

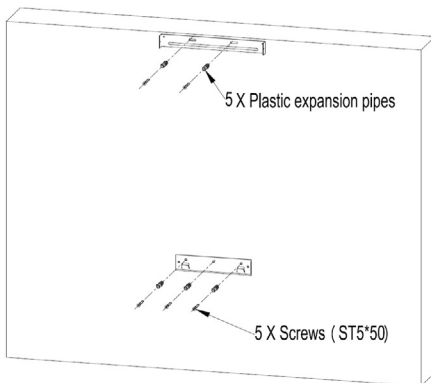
INSTALLATION



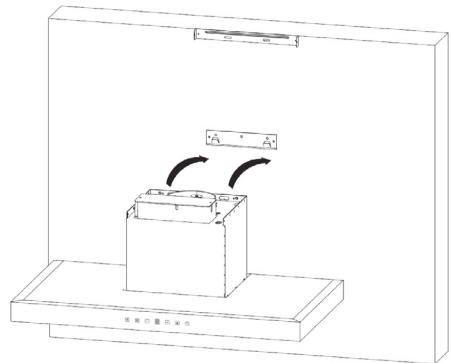
(Type and quantity of accessories is subject to actual demand.)

Mount the cooker hood on the wall

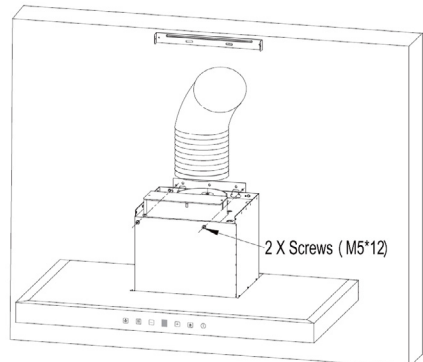
1) Using the dimensions shown on the previous page, drill holes in the wall to accept the five rawl plugs: two for the upper chimney support bracket and 3 for the hood body support bracket. Use the 5 x ST5*50 screws to secure the upper chimney support bracket and the hood body support bracket to the wall. Please make sure that the support brackets are level; this will prevent grease building up on one side and will provide a better cosmetic effect.



2) Locate the holes on the rear of the hood body with the lugs on the hood body support bracket to hang the hood body on the wall.



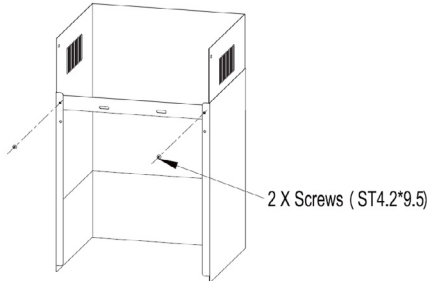
3) Use the 2 x M5*12 screws to secure the body of the hood to the hood body support bracket. Now attach the 150mm diameter ducting pipe (which is not included with the hood, but is available as an optional extra) to the air outlet collar on top of the motor and secure it with a jubilee clip.



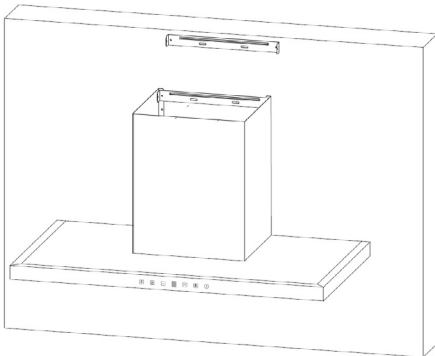
4) Attach the lower chimney support

INSTALLATION

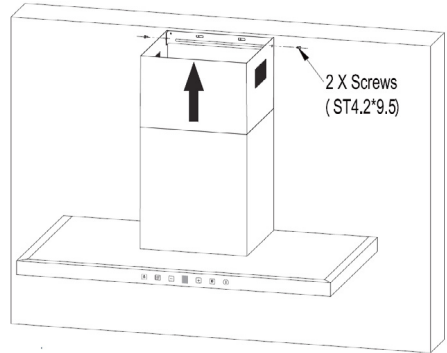
bracket to the top rear part of the lower chimney section, using the 2 x ST4.2*9.5 screws. This strengthens the chimney and makes it more rigid.



5) Place the two piece chimney kit onto the body of the hood.



6) Pull out the telescopic upper chimney section to the relevant height required to reach the ceiling and to be aligned with the upper chimney support bracket. Use the 2 x ST4.2*9.5 screws to secure the upper chimney section to the upper chimney support bracket to secure it in place.



Notes

The ducting pipework from the cooker hood must not be connected to any existing ventilation or flue system that is being used for any other purpose, and certainly not connected to a flue system being used by any fuel-burning appliance. This could lead to an under-pressure, with harmful gases being drawn back into the room.

If the hood is being installed in extraction mode in the same room as a fossil fuel-burning appliance, then the fossil fuel-burning appliance must be of the room-sealed or balanced-flue type; that is it must not take air from the room for combustion and it must not exchange air with the room. If there is a fossil-fuel burning appliance in the same room as the cooker hood, which uses an open flue/conventional flue, that is it does rely on air from the room for combustion, there is a risk that a cooker hood in extraction mode could suck the dangerous gases and products of combustion back into the room. Therefore, if there is a fossil fuel-burning appliance with an open flue/conventional flue in the same room as the cooker hood, the cooker hood may only be used in recirculation mode, and may not be used in extraction mode.

All regulations concerning the discharge of air have to be fulfilled.

INSTALLATION

The bending of ventilation tube should be $\geq 120^\circ$, parallel or above the start point/ should be connected to the external wall.

Please make sure the installation plate is placed horizontally to avoid grease collection at one end. See Fig. 3.

After installation, make sure that the plug can be pulled out if necessary.

The cooker hood should be placed 650-750 mm above the cooking surface for safety and pleasing aesthetic effect. See Fig. 4.

During periods of intensive cooking, additional ventilation may be required, for example by opening a window.

Use the supplied ventilation duct for installing the appliance.

Connect to the electricity supply

Warning: Ensure that the power rating of the appliance is compatible with the

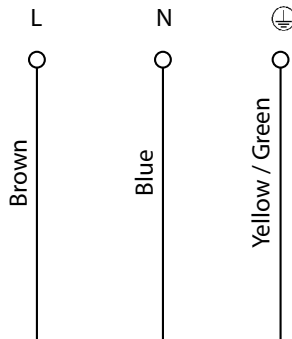
supply before connecting to the electricity supply.

Warning: This appliance must be earthed.

Should the mains lead of the appliance ever require replacing, we recommend that this is carried out by a qualified electrician who will replace it with a lead of the same size and temperature rating.

Important: - ensure that you route all mains and electrical cables and flexible tubing well clear of any adjacent heat source.

Under no circumstances should the mains electric cable be allowed to come into contact with hot oven flues or similar surfaces and keep well clear of any moving parts that may be in the vicinity of the installation, such as cooling fans on adjacent appliances.



TECHNICAL DATA

Voltage	220-240V~50/60Hz
Rated Power	253W
Lighting Power	2 X 1.5W
Motor Power	250W
Diameter of air tube	150mm
Air flow at best efficiency point	423 m ³ /h
Air flow on Boost	800m ³ /h
Noise	≤ 66dB

Electrical Diagram

Electrical diagram please see the label on the main part of the appliance.

CUSTOMER CARE

CUSTOMER CARE WEB SHOP

Having purchased a superior cooker, hob or hood from us, you'll naturally want to keep it looking great. And who better to help you care for it than the manufacturer?

We offer an extensive range of accessories, components and cleaning products which, will instantly give your cooker a good as new look.

In addition to the list of our most popular products below, we also have an exciting

range of Bake ware and Cookware essentials including Roasting Pans, Cake Tins and Non-Stick Cooking Liners.

For all enquires, please visit our Web Shop at www.gdhaonline.co.uk or call the Spares Sales Team. For countries outside the UK, please contact your local service agent.

Product Description	Where used	Purpose
Ceramic Hob Cleaner	All Ceramic glass hobs including Induction	Enables easier cleaning of your ceramic hob. Prevents build up of mineral deposits. Best used with Ceramic Hob Scraper Kit. 300ml bottle.
Ceramic Hob Scraper kit	All Ceramic glass hobs including Induction	Ideal for removing burnt-on marks from ceramic glass hobs. Best used with Ceramic Hob Cleaner.
Sealed Hotplate Conditioner	All sealed/solid plate hobs	Restores the sleek matt black finish to solid hotplates.
Multipurpose Kitchen Cleaner	General kitchen cleaner	Excellent multipurpose cleaner, for use around the kitchen. 500ml bottle.
Oven Cleaner	All cooking appliances.	Cuts through grease & burnt on grime. 500ml bottle.
Restor-A-Cloth	All cooking appliances.	Chemical free cleaning cloth. Ideal for cleaning & polishing glass & stainless steel.
Stainless Steel Cleaner	All stainless steel parts	Oil based cleaner. Perfect for removing stubborn & greasy marks. 300ml bottle.
Rectangular carbon filters	Cooker Hoods	New filters, help to maintain efficient cooker hood operation and keep your Kitchen odour free
Round Carbon Filters	Cooker Hoods	New filters, help to maintain efficient cooker hood operation and keep your Kitchen odour free

Please keep this handbook for future reference, or for anyone else who may use the appliance.

Please keep this handbook for future reference, or for anyone else who may use the appliance.

Please keep this handbook for future reference, or for anyone else who may use the appliance.

CUSTOMER CARE

To contact Stoves about your appliance, please call

Warranty Registration

0800 952 1065

to register your appliance

Customer Care Helpline

0344 815 3740

in case of difficulty within the UK

Spares Sales Team

0344 815 3745

Alternatively general, spares and service information is available from our website at
www.stoves.co.uk

Please ensure that you have the product's model no and serial no available when you call. These can be found on the silver data label on your product which is located:

Ovens	Open the door; adjacent to the oven cavity
High-level grill products	Inside the base compartment
Hobs	On the underside of the product
Hoods	On the inside of the appliance and is visible when the grease filters are removed

Enter appliance numbers here for future reference:

Model No									
----------	--	--	--	--	--	--	--	--	--

Serial No									
-----------	--	--	--	--	--	--	--	--	--

SERVICE RECORD	Date of purchase	Installed by	Installation Date
Place of purchase:			

Date	Part(s) replaced	Engineer's name

For customers outside the UK and Northern Ireland, please contact your local supplier.

Glen Dimplex Home Appliances, Stoney Lane, Prescott, Merseyside, L35 2XW

EU Declaration of Conformity

We Glen Dimplex Home Appliances
 Of Stoney Lane, Prescot, Merseyside, L35 2XW, UK

In accordance with the following Directive(s):

- 2014/53/EU Radio Equipment Regulations
- 2014/35/EU The Low Voltage Directive
- 2014/30/EU The Electromagnetic Compatibility Directive
- 2011/65/EU Restriction of the use of certain Hazardous Substances in electrical and electronic equipment

Hereby declare that: **ST H2H HDCN601**

is in conformity with the applicable requirements of the following documents

<u>Ref No.</u>	<u>Title</u>	<u>Edition/ date</u>
EN 301 489-1	ElectroMagnetic Compatibility (EMC) standard for radio equipment and services; Part 1: Common technical requirements; Harmonised Standard covering the essential requirements of article 3.1(b) of Directive 2014/53/EU and the essential requirements of article 6 of Directive 2014/30/EU	V2.1.1
EN 301 489-17	ElectroMagnetic Compatibility (EMC) standard for radio equipment and services; Part 17: Specific conditions for Broadband Data Transmission Systems; Harmonised Standard covering the essential requirements of article 3.1(b) of Directive 2014/53/EU	V3.1.1
EN 300 328	Wideband transmission systems; Data transmission equipment operating in the 2,4 GHz ISM band and using wide band modulation techniques; Harmonised Standard covering the essential requirements of article 3.2 of Directive 2014/53/EU	V2.1.1
EN 62479	Assessment of the compliance of low power electronic and electrical equipment with the basic restrictions related to human exposure to electromagnetic fields (10 MHz to 300 GHz)	2010
EN55014-1	Electromagnetic compatibility — Requirements for household appliances, electric tools and similar apparatus — Part 1: Emission	2017
EN55014-2	Electromagnetic compatibility — Requirements for household appliances, electric tools and similar apparatus — Part 1: Immunity	2015
EN 61000-3-2	Electromagnetic compatibility (EMC). Limits. Limits for harmonic current emissions (equipment input current ≤ 16A per phase)	2014
EN 61000-3-3	Electromagnetic compatibility (EMC). Limits. Limitation of voltage changes, voltage fluctuations and flicker in public low-voltage supply systems, for equipment with a rated current ≤ 16A per phase and not subject to conditional connection	2013
EN 60335-1	Household and similar electrical appliances. Safety. General requirements	2012 +A11:2014
EN 60335-2-31	Household and similar electrical appliances. Safety. Particular requirements for range hoods and other cooking fume extractors	2014
EN 62233	Measurement methods for electromagnetic fields of household appliances and similar apparatus with regard to human exposure.	2008
EN 50581	Technical documentation for the assessment of electrical and electronic products with respect to the restriction of hazardous substances	2012

I hereby declare that the equipment named above has been designed to comply with the relevant sections of the above referenced specifications. The unit complies with all applicable Essential Requirements of the Directives.

Signed:



Name: Paul Mulvenna
 Position: Product Approval Manager
 Location: Glen Dimplex Home Appliances, Prescot
 On: 17th April 2018 Issue 1



Document Reference No.
 RED Hobs