

Elsbeth. Bookcase Oak

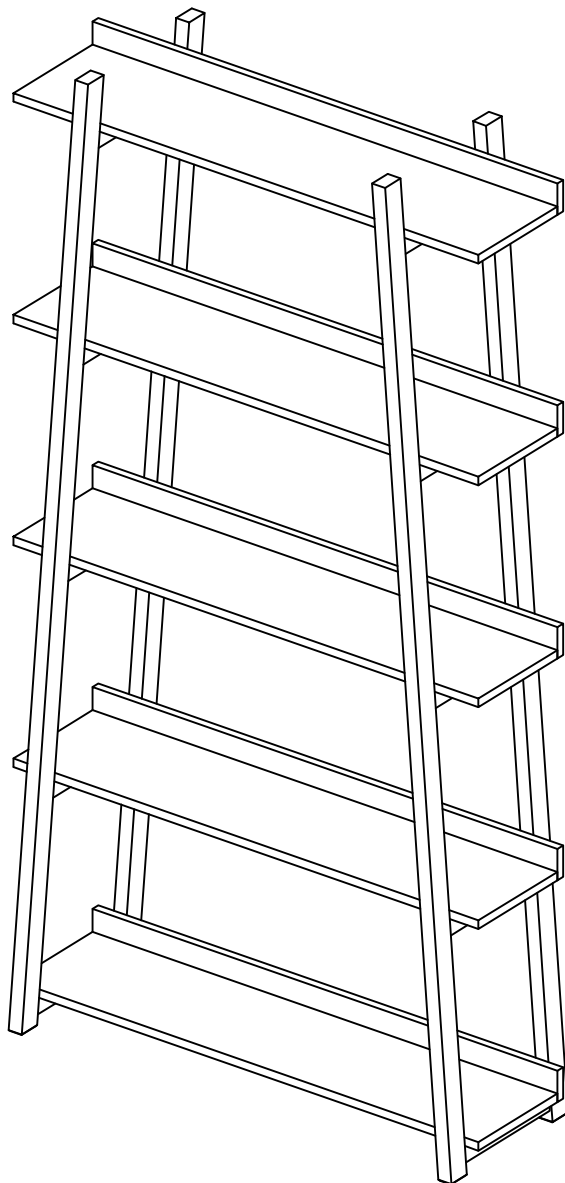
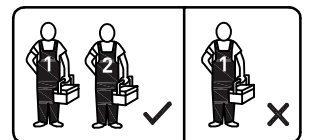
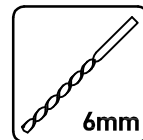
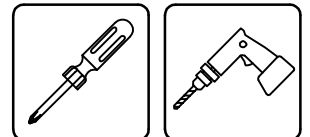
Assembly Instructions - Please keep for future reference

ELSP_BK_SS19_A

Dimensions

Width - 90cm
Depth - 30cm
Height - 170cm

Tools Required



Important - Please read these instructions before assembly

If you need help or have damaged or missing parts, email:
customerservices@habitat.co.uk or call: 0344 499 4686

habitat 



Safety and Care Advice

Important - Please read these instructions fully before starting assembly

Check you have all the components and tools listed on the front cover and pages 2 - 3.

Remove all fittings from the plastic bags and separate them into their groups.

Keep children and animals away from the work area, small parts could choke if swallowed.

Make sure you have enough space to layout the parts before starting.

Assemble the item as close to its final position (in the same room) as possible.

Do not place furniture directly in front of radiators, fires or any other source of heat.



Parts of the assembly will be easier with 2 people.

Assemble on a soft level surface to avoid damaging the unit or your floor.



We do not recommend the use of power drill/ drivers **for inserting screws**, as this could

damage the unit. Only use hand screwdrivers.

Dispose of all packaging carefully and responsibly.

General care and maintenance

Take care when moving furniture - dragging it across the floor will loosen and damage the joints. Always lift and move.

From time to time check that there are no loose fittings. Tighten as necessary.

Avoid exposing your furniture to direct and prolonged periods of sunlight and heat sources as fading and cracking may occur.

Take care to prevent sharp objects e.g. toys, buckles and heels from coming into contact with your furniture, and avoid contact with chemicals e.g. cosmetics or hair products which may permanently mark the surface.

Cleaning and care

Dust regularly with a clean dry cloth.

Wipe up any spills immediately with a damp cloth and then dry the surface with a clean dry duster.

Repeat this procedure for periodic cleaning.

Remove stubborn stains with a weak washing up liquid solution and a damp cloth and dry after with a clean cloth.

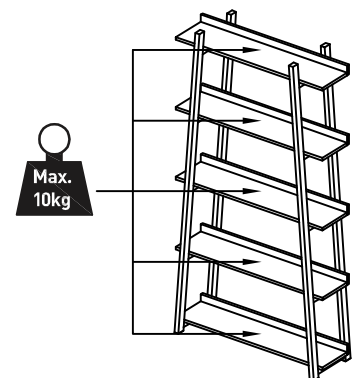
The use of furniture polish or spray is not necessary or recommended.

Never use abrasive or corrosive cleaning agents.

Always use place mats and coasters to protect the surface from moisture and heat.

Maximum weight limit

Important: Recommended maximum loading



General information

If for any reason you should have problems with your Habitat product, please contact the store from which you purchased it.

Please retain your receipt as proof of purchase.

If you have any comments or suggestions regarding this product, assembly instructions or service

received, please contact the store or Habitat Head Office via its web site: www.habitat.co.uk or write directly to: Habitat Retail Ltd. 489-499 Avebury Boulevard, Milton Keynes MK9 2NW

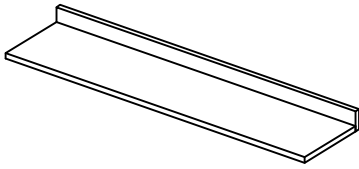
Components - Panels

If you need help or have damaged or missing parts, email: customerservices@habitat.co.uk or call: 0344 499 4686

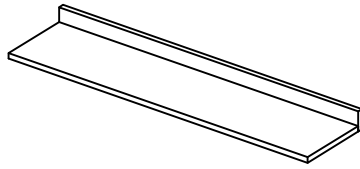
Please check you have all the panels listed below



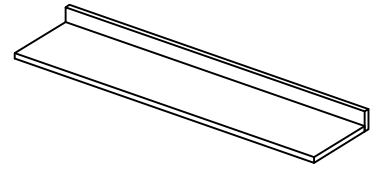
Note: There are 'Batch Code' labels where shown on the indicated items, these should be retained.



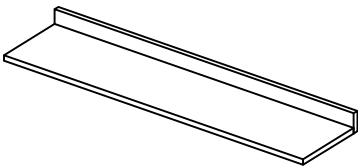
1. Top panel x 1



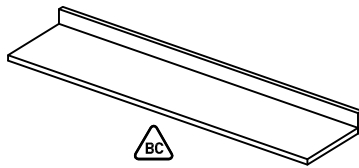
2. Middle panel (1) x 1



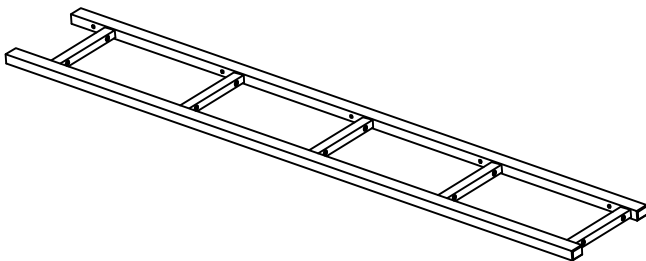
3. Middle panel (2) x 1



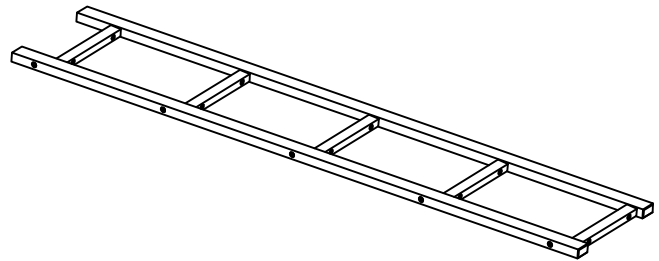
4. Middle panel (3) x 1



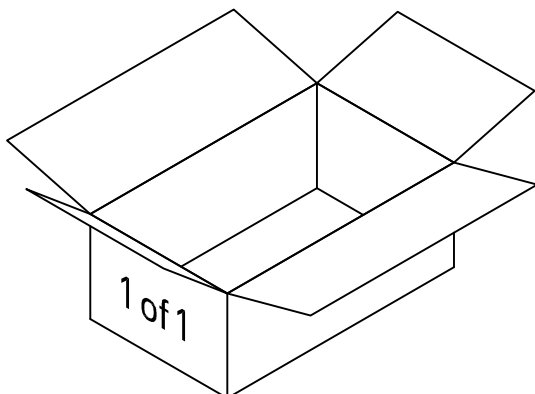
5. Bottom panel x 1



6. Left Leg frame x 1



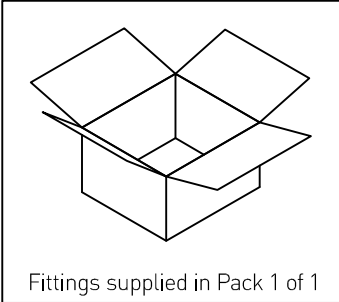
7. Right Leg frame x 1



Components - Fittings

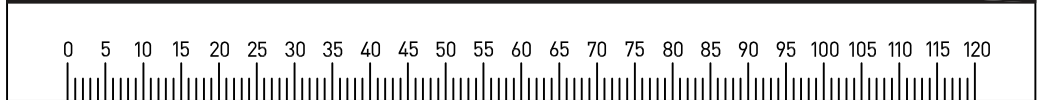
If you need help or have damaged or missing parts, email: customerservices@habitat.co.uk or call: 0344 499 4686

Please check you have all the panels listed below



Note: The quantities below are the correct amount to complete the assembly. In some cases more fittings may be supplied than are required.

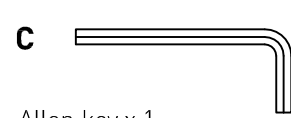
Ruler - To help correctly identify the fixings



M6x40mm Bolts x 20



M6x50mm Bolts x 10



Allen key x 1



Ø3x12mm Screw x 2



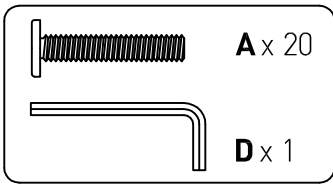
Brackets x 4



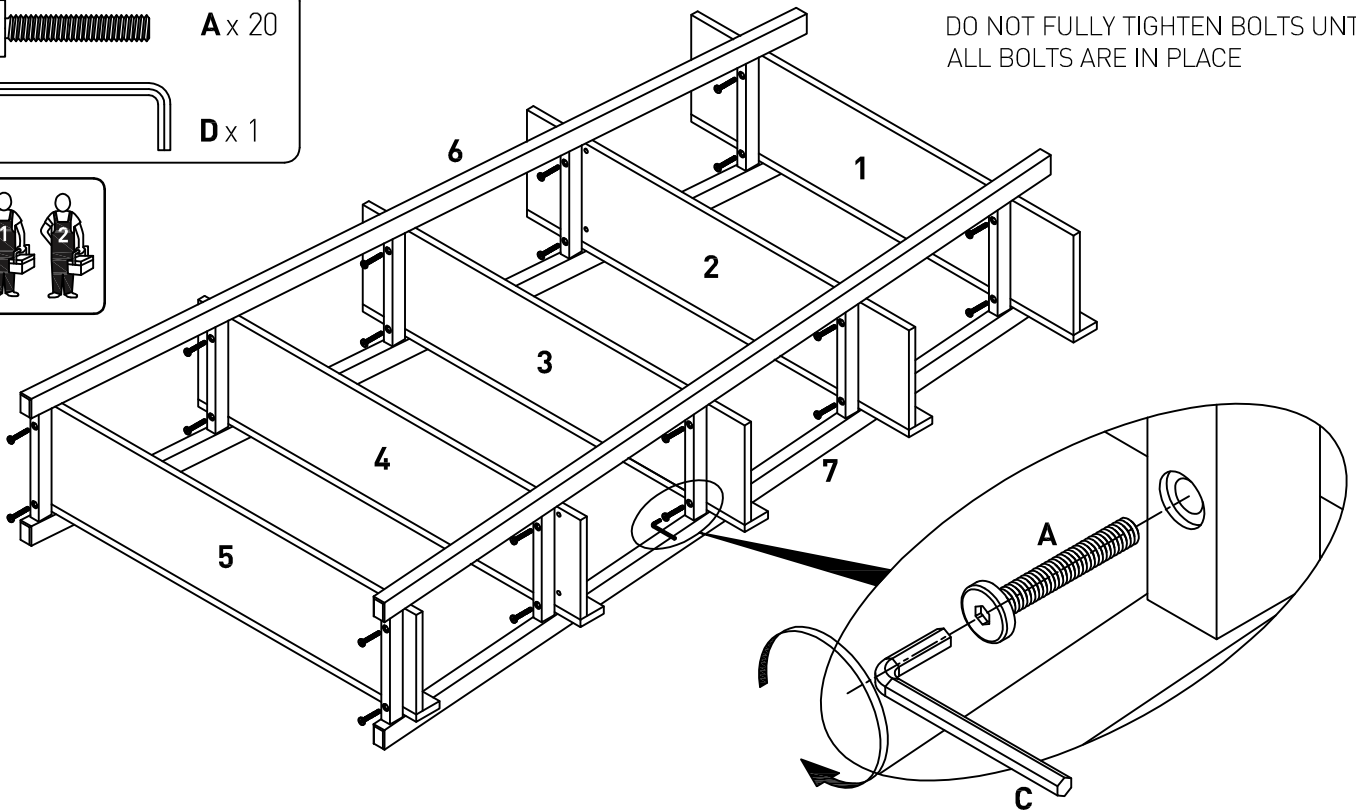
Plastic straps x 2

Assembly Instructions

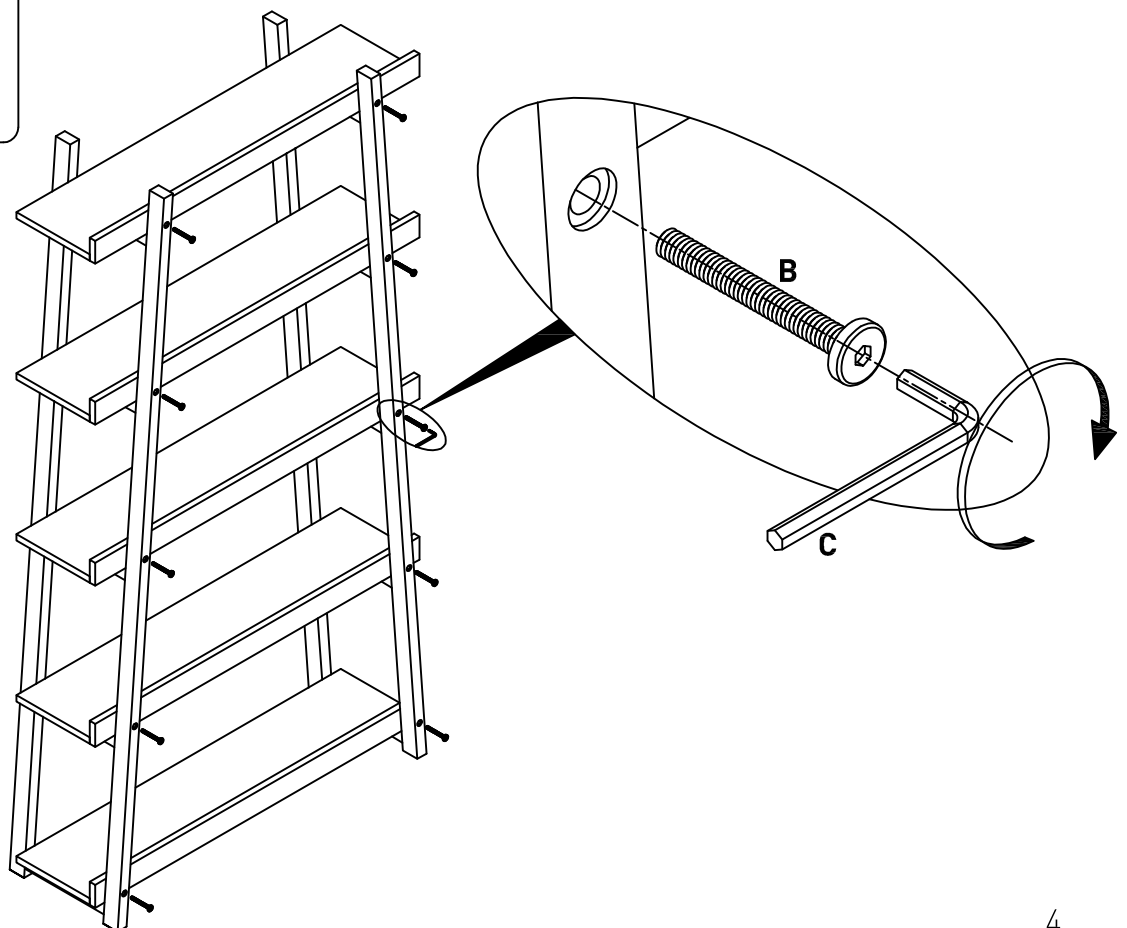
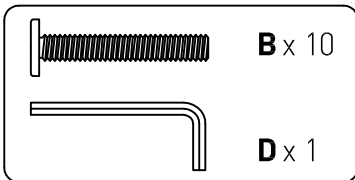
Step 1



DO NOT FULLY TIGHTEN BOLTS UNTIL ALL BOLTS ARE IN PLACE



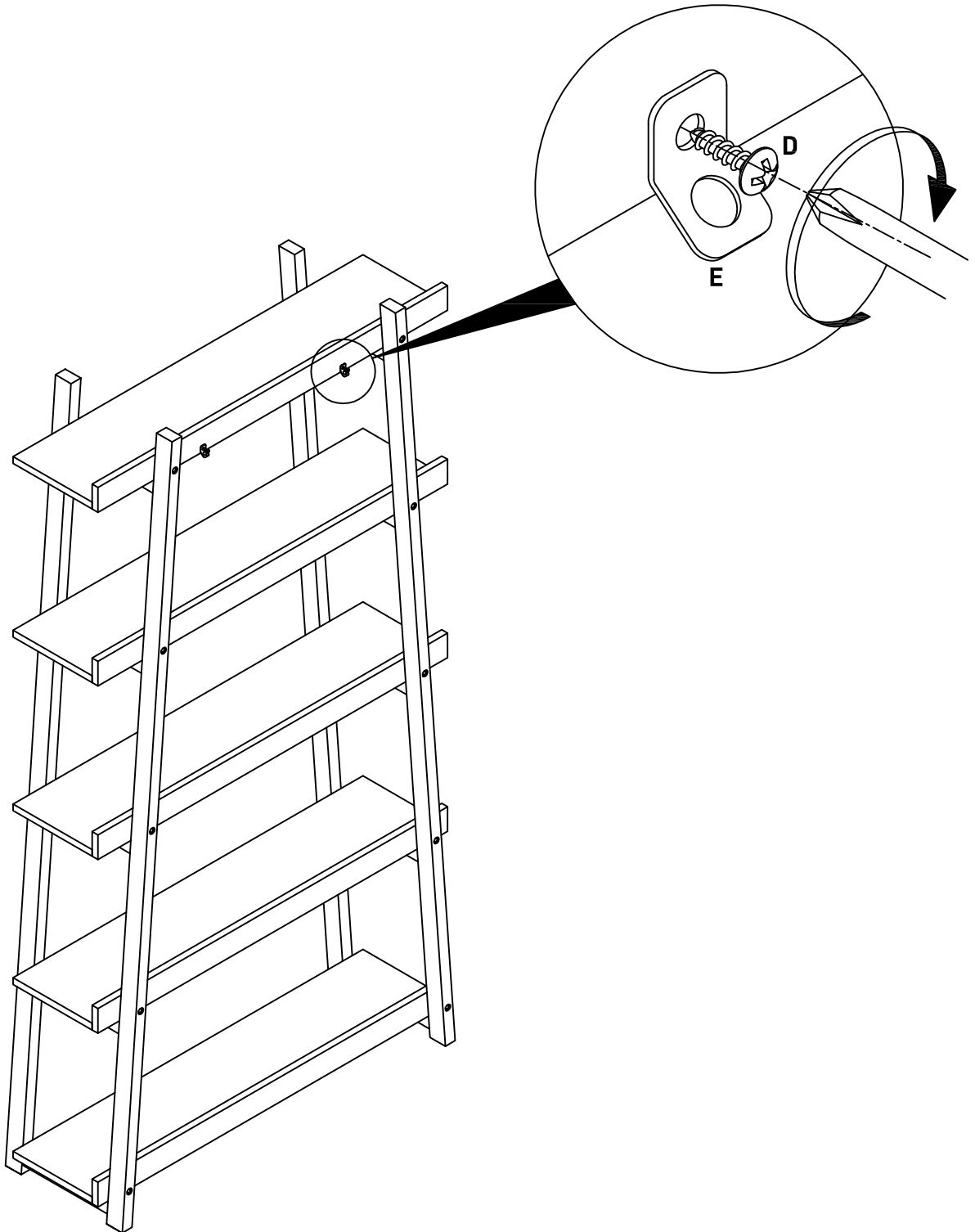
Step 2



Step 3

 **D** x 2

 **E** x 2



Step 5

WARNING!

In order to prevent overturning this product must be used with the wall attachment device provided. Serious or fatal crushing injuries can occur from furniture tipping over. To help prevent topple over

- Use the wall attachment devices provided
- Never allow children to climb or hang on shelves
- Do not overload the shelves beyond maximum recommended loading.
- Place heaviest items in the lower drawers or shelves.
- Unless specifically designed to accommodate, do not set TV's or other heavy objects on top of this product .

An attachment device is provided with your product, however you will need to source suitable fixings for your wall type. If in doubt consult a qualified trades person.

Always ensure that the wall to be drilled into is free from hidden electrical wires, water and gas pipes.

a: With help, place the unit against the wall in its final location and mark the drill hole position.

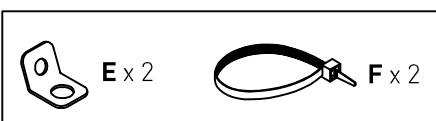
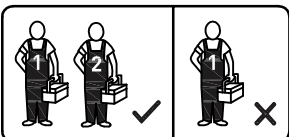
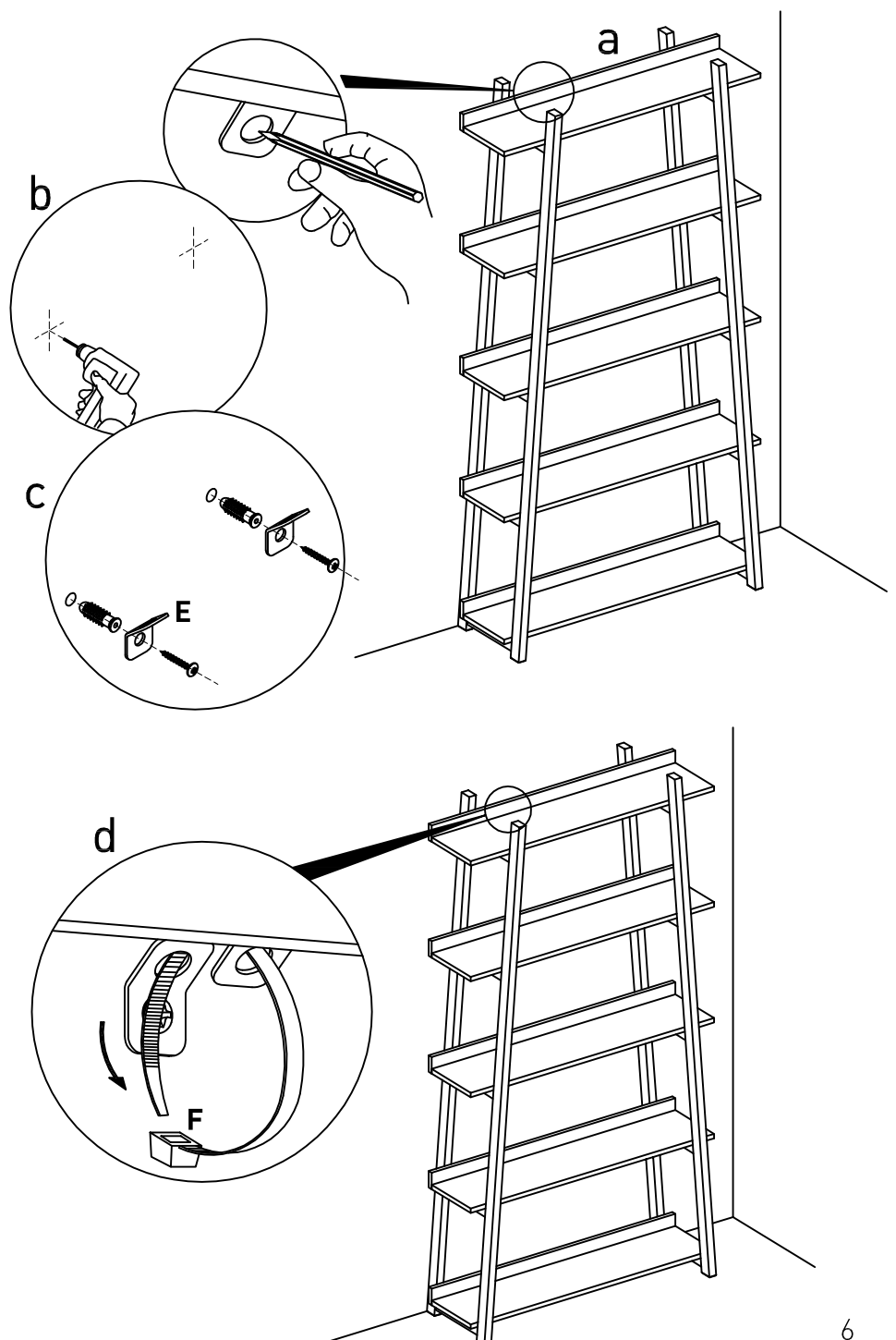
b: Remove the unit and drill a 6mm diameter hole to a depth of 45mm in the marked position.

c: Due to the variety of different wall types, Habitat cannot provide you with the exact fittings you need to fix this product to your wall.

You must first identify the type of wall you intend to fix the product onto and then contact your local hardware store to get the appropriate fittings.

Please refer to the Wall Mountings & Fittings Guide at the end of this assembly /care instruction for more information.

d: With help, lift the unit up, align the holes and lace the end of the restraint strap through the large hole in each mounting bracket.



A Guide to - Wall Mounting & Fixings

Important note:

Wall Fixings:



- because of the variety of different wall types, Habitat cannot provide you with the exact fixings you will need to fix this product to the wall.


You must first identify the type of wall you intend to fix product onto and then contact your local hardware store to get the appropriate fixings.



Important: When drilling into walls always check that there are no hidden wires or pipes etc.

Make sure that the screws and wall plugs being used are suitable for supporting your unit. Consult a qualified tradesperson if you are unsure.

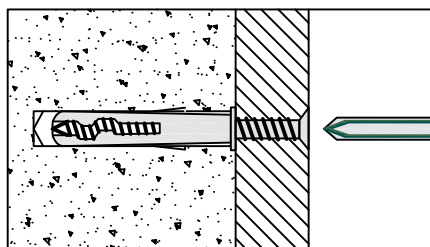
Hints:

- 1: General rule:  Always use a larger screw and wall plug if you are not sure.
- 2: Ensure you use the recommended drill bit to match the wall plug and hole size.
- 3: Ensure you drill the hole horizontally, do not force the drill or enlarge the hole.
- 4: Take extra care when drilling high walls, ceilings and ceramic tiles. Ensure wall plugs are inserted beyond the thickness of the ceramic tiles to avoid the tiles splitting or cracking.
- 5: Ensure wall plugs are well fitted and are a tight fit in the drilled hole.

Types of walls

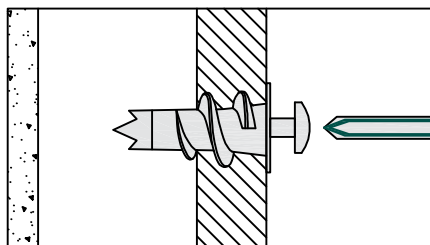
You can use one of the following types of wall plug if your walls are made of brick, breeze block, concrete, stone or wood.

No.1 "General Purpose" wall plug



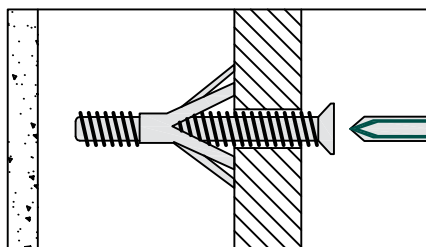
Generally aerated blocks should not be used to support heavy loads, use a specialist fitting in this case. For light loads, general purpose wall plugs can be used.

No.2 "Plasterboard" wall plug



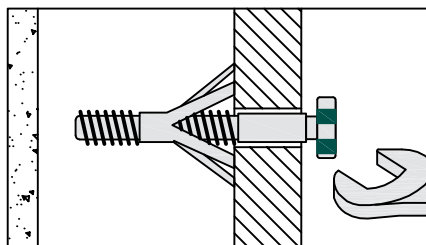
For use when attaching light loads on to plasterboard partitions.

No.3 "Cavity Fixing" wall plug



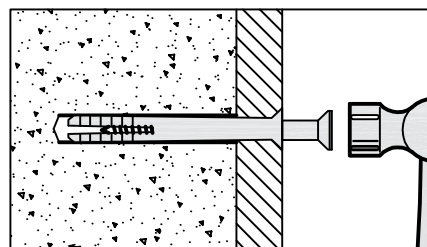
For use with plasterboard partitions or hollow wooden doors.

No.4 "Cavity Fixing-Heavy Duty" wall plug



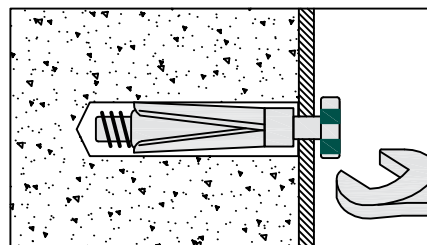
For use when fitting or supporting heavy loads such as shelving, wall cabinets and coat racks.

No.5 "Hammer Fixing" wall plug



For use with walls stuck with plasterboard. The hammer fixing allows it to be fixed to the wall rather than the plasterboard. Always check the fixing is secure to the retaining wall.

No.6 "Shield Anchor" wall plug Heavy loads



For use with heavier loads such as TV & HiFi speakers and satellite dishes etc.



Care & Maintenance

Safety: Always check the fitting and location to ensure your safety in and around the home.

Fitting: From time to time check the fitting to ensure the wall plugs or screws do not become loose.