

BUSH

Instruction manual
Tall Retro Fridge
M61153RETROBLK
M61153RETROWHT



You'll soon be enjoying your new Tall Retro Fridge

It all begins here, with your instructions. Don't worry, there's nothing too technical coming up. Just simple, step-by-step guidance to get you up and running quickly. Sound good? Then let's get started.

Help and Guidance

We're here to help you get the most from your Tall Retro Fridge . Should you require any guidance, a simple solution can often be found online at:

www.bush-support.co.uk

If you still require further assistance, call one of our experts on **01759 487838**.

Contents

1 Safety information

Safety information 6

2 Getting to know your Tall Retro Fridge

Accessories 12

3 Installing your Tall Retro Fridge

Installation requirements 14

Unpacking 14

4 Using your Tall Retro Fridge

Getting the most out of your appliance 17

5 Care and Maintenance

Cleaning 20

Maintenance actions 20

Technical specifications 22

6 Product support

Troubleshooting 25

Help and assistance 26

Declaration of conformance to product standards 27

Disposal 27

Guarantee 28

This page is left intentionally blank

Safety information

1





Safety information

Important - Please read these instructions fully before installing or operating

General warnings

WARNING: Keep ventilation openings, in the appliance enclosure or to the inside unit, clear of obstruction.

WARNING: Do not use electrical appliances inside the storage compartments of the appliance, unless they are of the type recommended by the manufacturer.

WARNING: Do not damage the refrigerant circuit.

WARNING: Due to the instability of the appliance, it must be fixed in accordance with the instructions to avoid a hazard.

WARNING: If the supply cord is damaged, it must be replaced by the manufacturer, its service agent or similarly qualified persons in order to avoid a hazard.

WARNING: This appliance is intended to be used in household and similar applications such as

- staff kitchen areas in shops, offices and other working environments;
- farm houses and by clients in hotels, motels and other residential type environments;
- bed and breakfast type environments;
- catering and similar non-retail applications.

• This appliance contains the coolant Isobutane (R600a), a natural gas which is environmentally friendly. Although it is flammable, it does not damage the ozone layer and does not increase the greenhouse effect. The use of this coolant has, however, led to a slight increase in the noise level of the appliance. In addition to the noise of the compressor, you might be able to hear the coolant flowing around the system. This is unavoidable, but does not have any adverse effect on the performance of the appliance.

Care must be taken during the transportation and installation of the appliance that no parts of the cooling system are damaged. Leaking coolant can damage the eyes.

In the event of any damage:

- Avoid open flames and anything which creates a spark,
- Disconnect from the mains,
- Air the room in which the appliance is located for at least an hour.
- Contact the BUSH Service Department for advice.

If you require any technical guidance or find that your product is not operating as intended, a simple solution can often be found in the **Troubleshooting** section of these instructions,



Safety information

Important - Please read these instructions fully before installing or operating

- Whilst carrying and positioning the appliance care must be taken not to damage the cooler gas circuit at the rear of the appliance
- Do not store explosive substances such as aerosol cans with a flammable propellant in this appliance.
- This appliance is not designed for commercial use. It is intended for use in domestic households only.
- This appliance is not intended for outdoor use. It must only be used as a domestic appliance to cool and store food as well as to store deep frozen food, freeze fresh food and to prepare ice.
- If the socket does not match the refrigerator plug, it must be replaced by the manufacturer, its service agent or similar qualified persons in order to prevent any hazard occurring.
- This appliance is not intended for use by persons (including children) with reduced physical, sensory or mental capabilities, or lack of experience and knowledge, unless they have been given supervision or instruction concerning use of the appliance by a person responsible for their safety. Children should be supervised to ensure that they do not play with the appliance.
- Before connecting the appliance, make sure that the connection data on the data plate (voltage and frequency) matches the mains electricity supply. This data must correspond in order to avoid the risk of damage to the appliance. Consult a qualified electrician if in any doubt.
- Do not touch frozen goods with wet hands! Do not eat ice-cream and ice cubes immediately after you take them out of the freezer compartment!
- Do not re-freeze defrosted items. This may cause health issues like food poisoning.
- Do not cover the body or top of fridge. This affects the performance of your fridge.
- Ensure the accessories are secured during transportation to prevent damage.



Safety information

Important - Please read these instructions fully before installing or operating

Before using your appliance

- Before switching on your appliance for the first time, ensure it is positioned in its desired final location and is in its upright position for at least 3 hours before plugging in and switching on the power. Otherwise you may damage the compressor.
- You may experience an odour from the appliance when it is operated for the first time. This is normal and will fade when your appliance starts to cool.



- **Warning: Risk of fire / flammable materials**
- When positioning the appliance, ensure the supply cord is not trapped or damaged.
- Do not locate multiple portable socket-outlets or portable power supplies at the rear of the appliance.
- Children aged from 3 to 8 years are allowed to load and unload refrigerating appliances.
- To avoid contamination of food, pay attention to the following:
 - Opening the door for long periods can cause a significant increase of the temperature in the compartments of the appliance;
 - Clean regularly surfaces that can come in contact with food and accessible drainage systems;
 - Clean water tanks if they have not been used for 48 hours; flush the water system connected to a water supply if water has not been drawn for 5 days;
 - Store raw meat and fish in suitable containers in the refrigerator so that it is not in contact with or drip onto other food;
 - Two-star frozen-food compartments are suitable for storing pre-frozen food, storing or making ice-cream and making ice cubes;
 - One, two and three-star compartments are not suitable for the freezing of fresh food;
 - If the refrigerating appliance is left empty for long periods, switch off, defrost, clean, dry and leave the door open to prevent mould developing within the appliance.

or online at www.bush-support.co.uk If you still require further assistance, call one of our experts on **01759 487838**.

Getting to know your Tall Retro Fridge 2



Getting to know your Tall Retro Fridge

You'll be up and running in no time

Ready? Let's begin...

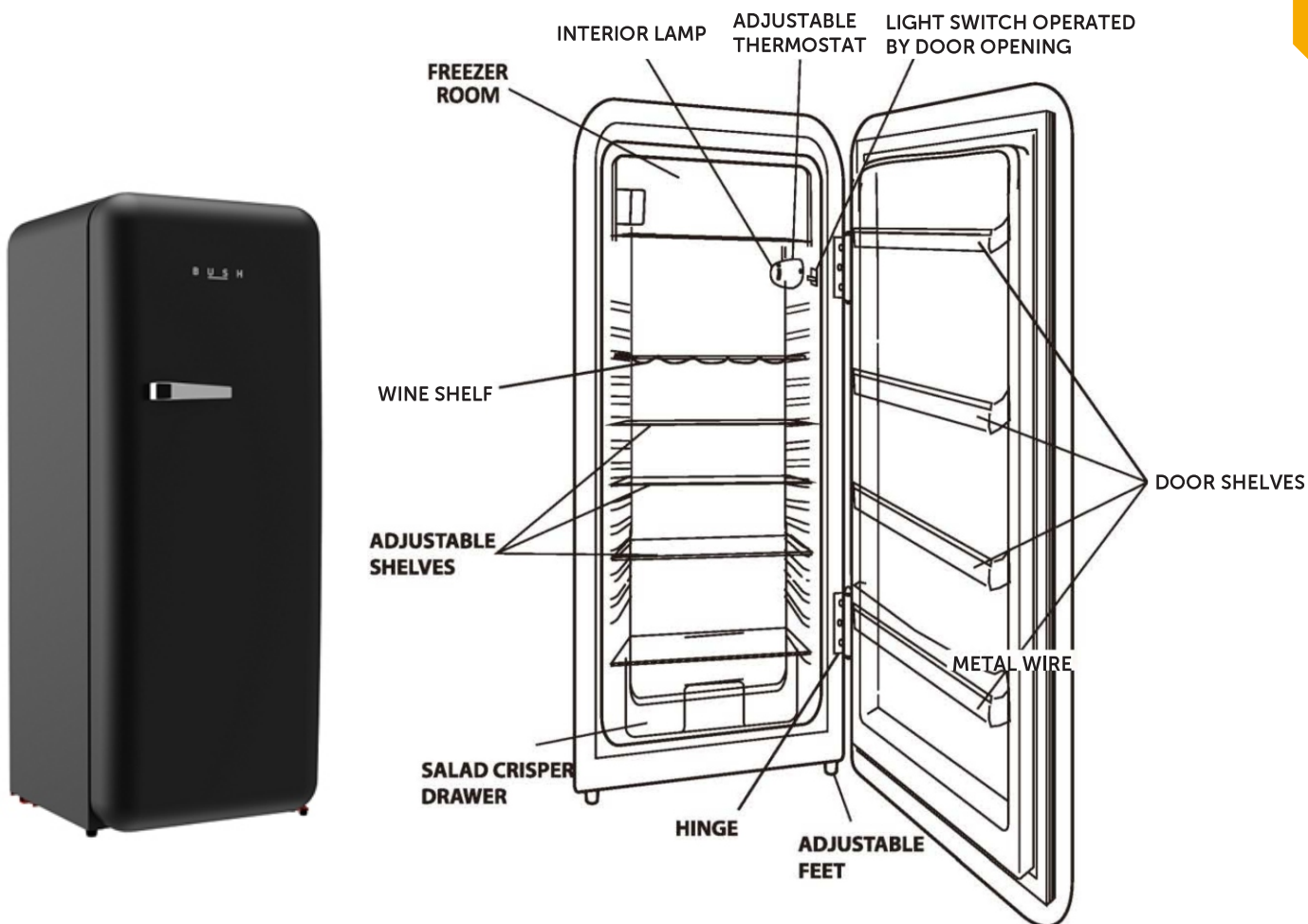
Please read these instructions carefully. They contain important information which will help you get the best from your tall retro fridge and ensure safe and correct installation and operation.

If you require any further assistance, our technical experts are happy to help. For full details, refer to the product support section at the end of these instructions.

If you require any technical guidance or find that your product is not operating as intended, a simple solution can often be found in the **Troubleshooting** section of these instructions,

Getting to know your Tall Retro Fridge

You'll be up and running in no time



Controls

Setting the temperature

When the dial is set to '0' this is in the off position. Move the dial in an anti-clockwise direction to adjust the temperature. When the dial is on '7' this is the coldest temperature setting. When dial is on '1' this is desired temperature to ensure your food does not spoil.

REMEMBER:

'7' is coldest

'1' is warmest

The fridge temperature will be at 0-10C dependent on the dial setting. The freezer compartment will be -15 to -26.



Getting to know your Tall Retro Fridge

Accessories



4 x Glass Shelves



4 x Bottle shelf for Door



1 x Salad Box



1 x Wine Rack



1 x Handle Kit

Full instructions on how to fix the handle can be found on page 14 of this manual.

If you require any technical guidance or find that your product is not operating as intended, a simple solution can often be found in the **Troubleshooting** section of these instructions,

Installing your Tall Retro Fridge

3



Installing your Tall Retro Fridge

Bringing it all together

Installation requirements

Before starting to use your fridge, you should pay attention to the following points:

- Operating voltage for your fridge is 220-240V at 50Hz.
- We do not take the responsibility of the damages that occur due to ungrounded usage.
- Do not place your appliance in direct sunlight.
- Your appliance should be at least 50 cm away from stoves, Gas ovens and heaters, and should be at least 5 cm away from electrical ovens.
- Your fridge should never be used outdoors or left out in the rain.
- When your fridge is placed next to a deep freezer, there should be at least 2 cm between them to prevent humidity on the outer surface.
- Do not place anything on your fridge, and install your fridge in a suitable place so that there is at least 15cm clearance at the top.
- The adjustable front levelling feet should stabilise in an appropriate height to allow your fridge to operate in a stable and proper way. You can adjust the legs by turning them clockwise (or in the opposite direction). This should be done before placing food in the fridge.
- Before using your fridge, wipe all parts with warm water, and then rinse and dry. Place all parts back in the appliance after cleaning.
- Install the distance adjustment plastic (the part with black vanes at the rear) by turning it 90° to prevent the condenser from touching the wall.
- Refrigerators should be placed against a wall with a free distance of at least 75mm.

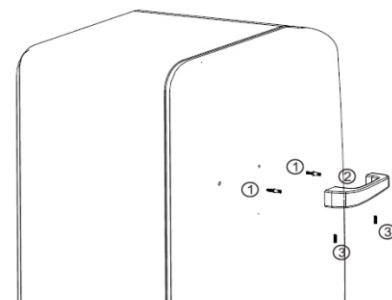
Unpacking

- Please make sure that when unpacking your appliance that it is carried out in a safe manner. Ensure the packaging is disposed off in accordance to local regulation.
- Do not allow children to play with the packaging material, e.g. plastic bags and wrappings. **Danger of suffocation.**

Levelling feet

- The appliance must be installed level in order to work properly. If the unit is not level, the doors and magnetic seal alignments will not be covered properly.
- To level the unit, adjust one or both levelling feet at the base of the unit.

Attaching the handle



Handle pieces are shown and numbered on Page 12. of this instruction manual.

- Fix the two screws (Screw A) on the door.
- Put the metal handle (2) into the two fixed screws, match the two holes on the handle.
- Fasten the lower two screws (Screw B) on the handle lower.

If you require any technical guidance or find that your product is not operating as intended, a simple solution can often be found in the **Troubleshooting** section of these instructions,

Installing your Tall Retro Fridge

Bringing it all together

Electrical connection



Any electrical work that is required to install this appliance **MUST** be carried out by a qualified electrician.



Warning: THIS APPLIANCE MUST BE EARTHED

Before making any electrical connections, ensure that:

- Electrical safety is only guaranteed when the earth system of your house in accordance with the related local regulations.
 - Do not bend, stretch or pull the supply cable to avoid electric shock.
 - Ensure the power socket is suitable for the Maximum power of the machine (fuses in the power circuit must be 13 amp).
 - The supply voltage should be the same as that indicated in the technical specifications and the appliance rating plate.
 - The appliance should be earthed and in compliance with the applicable law.
 - When installed, the power socket must be within easy reach.
 - If the socket outlets in your home are not suitable for the plug supplied with this unit check with a qualified electrician for replacement.
 - To avoid the risk of overloading your plug socket, the use of adapters, multiple connectors or extension cables are not recommended. The appliance must be connected to a 220-240 volt 50Hz AC supply by mean of a three pin socket, suitably earthed and protected by a 13 amp fuse.
- Should the fuse need to be replaced, a 13 amp fuse approved to BS1362/A must be used.
- The plug contains a removable fuse cover that must be refitted when the fuse is replaced. If the fuse cover is lost or damaged, the plug must not be used until a replacement cover has been fitted or the plug is replaced.
 - A damaged plug should be cut off as close to the plug body as possible, the fuse should be removed and the plug disposed of safely.

If you require any technical guidance or find that your product is not operating as intended, a simple solution can often be found in the **Troubleshooting** section of these instructions.

Plug replacement (UK & Ireland only)

Should you need to replace the plug; the wires in the power cable are coloured in the following way:

Blue - Neutral ' N '

Brown - Live ' L '

Green & Yellow - Earth ' E '

The green & yellow wire must be connected to the terminal in the plug that is marked with the letter E or by the earth symbol.

The blue wire must be connected to the terminal that is marked with the letter N.

The brown wire must be connected to the terminal that is marked with the letter L.

If power supply cord is damaged , it must be replaced by the manufacturer or its service agent or a similar qualified person in order to avoid a hazard.

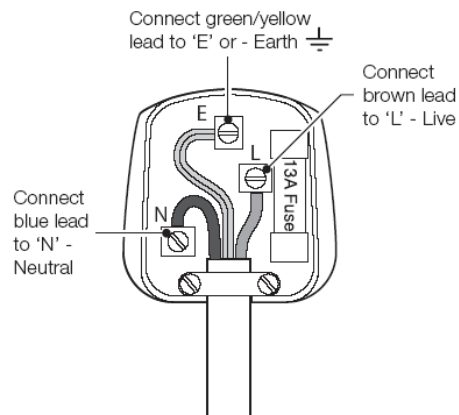


Figure. 8



4 Using your Tall Retro Fridge



Using your Tall Retro Fridge

Getting the most from your appliance

Arranging food in your Fridge Freezer

Fridge compartment

- To reduce humidity and consequent increase of frost, never place liquids in unsealed containers in the refrigerator. Frost tends to concentrate in the coldest parts of the evaporator and in time will require more frequent defrosting.
- Never place warm food in the refrigerator. Warm food should be allowed to cool at room temperature and should be arranged to ensure adequate air circulation in the refrigerator compartment.
- Nothing should touch the back wall as it will cause frost and the packages can stick on the back wall. Do not open the refrigerator door too frequently.
- Arrange the meat and cleaned fish (wrapped in packages or sheets of plastic) which you will use in 1-2 days, in the bottom section of the refrigerator compartment (that is above the vegetable holder) as this is the coldest section and will ensure the best storing conditions.
- You can place fruit and vegetables unwrapped in the vegetable holder.

Freezer compartment

- When freezing fresh food ensure it is wrapped securely.
- Once the unit has been defrosted replace the foods into the freezer and follow the manufacturers guidelines.
- Never place warm food in the freezer compartment.
- For storing frozen foods; the instructions shown on frozen food packages should always be followed carefully and if no information is provided food should not be stored for more than 3 months from the purchased date.
- When buying frozen foods ensure that these have been frozen at suitable temperatures and that the packing is intact.
- Frozen foods should be transported in appropriate containers to maintain the quality of the food and should be returned to the freezer compartment in the shortest possible time.
- The storage life of frozen foods depends on the room temperature, thermostat setting, how often the door is opened, the type of food and the length of time required to transport the product from the shop to your home. Always follow the instructions printed on the package and never exceed the maximum storage life indicated.

During power cuts, please do not open the door of the deep freeze compartment. Your freezer will preserve your frozen food in the ambient temperature of 25 C for about 12 hours. This preservation time period decreases the higher the ambient temperatures are. During extended power cuts, you should not refreeze your food and should be disposed of accordingly.

Using your fridge / freezer

Getting the most from your appliance storing food. The table below contains general guidelines on the storage of food in the refrigerator.

Refrigerator location	Type of food
Fridge door	<ul style="list-style-type: none">• Foods with natural preservatives, such as jams, juices, drinks, condiments.• Do not store perishable foods.
Crisper bin (salad bin)	<ul style="list-style-type: none">• Fruits, herbs and vegetables should be placed separately in the crisper bin.• Do not store bananas, onions, potatoes, garlic in the refrigerator.
Fridge shelf – bottom	<ul style="list-style-type: none">• Raw meat, poultry, fish (for short-term storage)
Chiller bin	<ul style="list-style-type: none">• Raw meat, poultry, fish (for short-term storage)
Fridge shelf – middle	<ul style="list-style-type: none">• Dairy products, eggs
Fridge shelf – top	<ul style="list-style-type: none">• Foods that do not need cooking, such as ready-to-eat foods, deli meats, leftovers.
Freezer drawer/shelf	<ul style="list-style-type: none">• Foods for long-term storage.• Bottom drawer/shelf for raw meat, poultry, fish.• Middle drawer/shelf for frozen vegetables, chips.• Top drawer/shelf for ice cream, frozen fruit, frozen baked goods.

If you require any technical guidance or find that your product is not operating as intended, a simple solution can often be found in the **Troubleshooting** section of these instructions.

This page is left intentionally blank

Care and maintenance

5



Care and maintenance

Looking after your appliance

Cleaning your appliance

- Make sure you unplug the fridge before starting to clean it.
- Do not pour water directly over your appliance.
- You can wipe the inner and outer sides with a soft cloth or a sponge using warm soapy water.
- Remove parts individually and clean by hand with soapy water. Do not place in dishwashers.
- Never use flammable, explosive or corrosive material for cleaning your appliance
- You should clean the condenser periodically to keep your appliance running efficiently. Make sure your appliance is unplugged before cleaning.
- Dusts behind the refrigerator and on the ground shall be timely cleaned to improve the cooling effect and energy saving.
- The interior of the refrigerator should be cleaned regularly to avoid odor.
- Check the door gasket regularly to make sure there are no debris.
- Please turn off the power before cleaning, remove all food, shelves, drawers, etc.
- Clean the door gasket with mild soap and water.
- Use a soft cloth or sponge to clean the inside of the refrigerator, with two tablespoons of baking soda and a quart of warm water. Then rinse with water and wipe clean, and open the door and dry it naturally before the power is turned on.
- For areas that are difficult to clean in the refrigerator (such as narrow sandwiches, gaps or corners), it is recommended to wipe them regularly with a soft rag, soft brush, etc. and when necessary, combined with some auxiliary tools (such as thin sticks) to ensure no contaminant accumulation in these areas.
- Do not use soap, detergent, scrub powder, spray cleaner, etc., as these may cause odors in the interior of the refrigerator.
- Clean the bottle frame, shelves and drawers with a mild detergent and dry with a soft cloth.
- Wipe the outer surface of the refrigerator with a soft cloth dampened with soapy water, detergent, etc., and then wipe dry.
- Do not use hard brushes, clean steel balls, wire brushes, abrasives, such as toothpastes, organic solvents (such as alcohol, acetone, banana oil, etc.), boiling water, acid or alkaline items clean refrigerator considering that this may damage the fridge surface and interior. Boiling water and benzene may deform or damage plastic parts.
- Do not rinse with water so as not to affect the electrical insulation properties.

Defrosting

Refrigerator compartment;

The surface of the evaporator ices up when the Refrigerator is working. This is an entirely normal part of operation. If the frost layer is more than 3mm thick, the refrigerator must be defrosted and cleaned to avoid unnecessary energy consumption and inefficient operation.

- Remove all items inside and unplug the refrigerator.
- After defrosting, clean the refrigerator and allow it to dry.
- Reconnect to the mains supply and run the refrigerator.

Care and maintenance

Looking after your appliance

Cleaning your appliance

Freezer compartment;

The frost, accumulated in the Freezer compartment, should be removed periodically. The freezer compartment should be defrosted and cleaned at least twice a year.

- During defrosting, frozen foods should be wrapped in several layers of paper and kept in a cool place. The inevitable rise in temperature will shorten their storage life.
- Remember to freeze and consume foods to the manufacturers guidelines. Set the thermostat control knob to position '0' or unplug the unit; leave the door open until completely defrosted.
- To accelerate the defrosting process one or more basins of warm water can be placed inside the freezer compartment.
- Once defrosted and cleaned, ensure the compartment is completely dry before switching back on and setting the thermostat control knob to desired temperature

During power cuts, please do not open the door of the deep freeze compartment. Your freezer will preserve your frozen food in the ambient temperature of 25 C for about 12 hours. This preservation time period decreases the higher the ambient temperatures are. During extended power cuts, you should not refreeze your food and should be disposed of accordingly.

Changing the LED light bulb

The light bulb must be changed by a qualified or competent person such as an electrician or service engineer. Please contact the BUSH Service Centre for more information.

Care and maintenance

Looking after your appliance

Technical specification

Model	M61153RETROWHT/M61153RETROBLK
Fridge capacity	260L
Freezer capacity	21L
Voltage and frequency	220-240V AC/50Hz
Climate class	ST
Energy consumption	0.45k.Wh/24h
Freezing Capacity	2kg/24h
Load Recovery time	12h
Rated current	0.5A
Rated lamp power	1W
Refrigerant	R600a/38g
Energy rating	A++
Size WxDxH (mm)	610x640x1524

We apologise for any inconvenience caused by minor inconsistencies within these instructions that may occur due to product improvements and development

All images and drawings are for illustration purposes only.

or online at www.bush-support.co.uk If you still require further assistance, call one of our experts on **01759 487 838**.

Product support

7



Product support

Help is always at hand

Troubleshooting

DO NOT ATTEMPT TO REPAIR THIS FRIDGE FREEZER YOURSELF. CALL BUSH PRODUCT SUPPORT ON 01759 487838

PROBLEM	SOLUTION
SMELL/ODOURS	<ul style="list-style-type: none">-Check all the food and drink that are in the fridge is in date and correctly packaged. If it isn't then it should be removed immediately or repackaged.-Check for spillages on each shelf, rack and drawer. You may need to remove the drawers to check that no spillages have settled underneath them. Spillages that have not been cleaned and have been left can cause smells and unwanted odours.
THE DOORS DO NOT CLOSE PROPERLY	<ul style="list-style-type: none">-Ensure there are no obstructions preventing door closure.-Check the door compartments and shelves are correctly in place.-Check the door seal is not warped or torn.-Check the appliance is level.
UNUSUAL NOISES	<ul style="list-style-type: none">-Check that the appliance is on a flat, level surface and is stable.-Check the spacing's around the appliance and ensure it is not touching other items.-Bubbling and gurgling sound:<ul style="list-style-type: none">• This noise is emitted as the coolant fluid flows through the pipes within the system.• This is the normal sound of water flowing into the drain trough during the defrosting process. If the appliance is operating noisily (compressor noise): This is normal. This noise indicates that the compressor is operating normally . As the compressor is being energized, it might run a bit more noisily for a short period of time.-Contraction and expansion of the inside walls may cause popping and cracking noises.
THE FRIDGE DOOR WILL NOT OPEN	<ul style="list-style-type: none">-If the door has just been opened, leave it for a few minutes to allow the air pressure to equalise before trying again.
THE COMPRESSOR RUNS CONSTANTLY	<ul style="list-style-type: none">-The temperature is set too cold: select a lower (warmer) setting.-The door is open, or something is obstructing proper door closure.-The door gaskets are worn, dirty or damaged.-Large quantities of food have been added to the fridge.-The room temperature is hotter than usual.
THE EXTERNAL FRIDGE SURFACE IS WARM	<p>The exterior walls can be warmer than room temperature. This is normal while the compressor works to transfer heat from inside the fridge cabinet.</p>

If you require any technical guidance or find that your product is not operating as intended, a simple solution can often be found in the **Troubleshooting** section of these instructions,

Product support

Help is always at hand

Help and assistance

If you require any technical guidance or find that your Tall Retro Fridge is not operating as intended, a simple solution can often be found in the **Troubleshooting** section of these instructions or online at www.bush-support.co.uk

If you still require further assistance, call one of our experts on **01759 487838***. To help give us give you a fast and efficient service please have the following information ready:

Model Ref.	<input type="text"/>	You can find these on the rating plate - a small information panel (usually a sticker or metal plate) on the rear of your appliance
Serial number	<input type="text"/>	
Date of purchase	<input type="text"/>	This will be shown on your receipt

Local call rates applies*

Lines open 8am-7pm Monday to Saturday and 10am-4pm Sunday.

*Calls to BUSH enquiry lines may attract a charge and set up fee from residential lines depending on your call plan/tariff. Mobile and other providers costs may vary, see www.bt.com/pricing for details.

For Security and training purposes, telephone calls to and from customer service centres maybe recorded and monitored. Calls from Republic of Ireland will attract international call charges.

or online at www.bush-support.co.uk If you still require further assistance, call one of our experts on **01759 487838**.

Product support

Help is always at hand

Declaration of conformance to product standards

This appliance conforms to all relevant standards applicable to domestic appliances sold in the UK

Old fridges and freezers contain isolation material and refrigerant with CFC. Therefore, take care not to harm the environment when you are discarding your old fridges.

Disposal



This appliance/fitting is marked according to the European directive 2012/19/EU on Waste Electrical and Electronic Equipment (WEEE).

By ensuring this product is disposed of correctly, you will help prevent potential negative consequences for the environment and human health, which could otherwise be caused by inappropriate waste handling of this product.

The symbol on the product, or on the documents accompanying the product, the **crossed out wheellie bin** symbol, indicates that this appliance/fitting may not be treated as household waste. Instead it shall be handed over to the applicable collection point for the recycling of electrical and electronic equipment.

Disposal must be carried out in accordance with local environmental regulations for waste disposal.

For more detailed information about treatment, recovery and recycling of this product, please contact your local authority, your household waste disposal service or the retailer where you purchased the product.

Old fridges and freezers contain isolation material and refrigerant with CFC. Therefore, take care not to harm the environment when you are discarding your old fridges.



Call us now and activate your 12 month guarantee

Thank you for choosing Bush. Your new product is guaranteed against faults and breakdowns for 12 months. Don't forget to register it with us today so we can provide you with our best possible after-sales service and useful updates.

www.bushregistration.co.uk

FREEPHONE*

0800 597 8548

Lines are open 8am - 8pm, 365 days a year. *Calls may be recorded and monitored.

Your Bush Guarantee

This product is guaranteed for twelve months from the date of original purchase. Any defect that arises due to faulty materials or workmanship will be repaired free of charge (or if applicable the product will be replaced or the purchase price refunded) where possible during this period by the dealer from who your purchased the unit.

The guarantee is subject to the following provisions:

- The guarantee does not cover accidental damage, misuse, cabinet parts, knobs or consumable items.
- The product must be correctly installed and operated in accordance with the instructions contained in the manual.
- It must be used solely for domestic purposes. The guarantee will be rendered invalid if the product is re-sold or has been damaged by inexpert repair.
- Specifications are subject to change without notice.
- Bush disclaim any liability for loss or damage arising from the breakdown of the product.
- This guarantee is in addition to and does not diminish your statutory or legal rights.

Important Data Protection Information

To find out how we and Domestic & General Insurance PLC use your data, please refer to the guarantee registration material or visit www.bushregistrations.co.uk

Guarantor: Argos Limited - 489 - 499 Avebury Blvd. - Milton Keynes - MK9 2NW

or online at www.bush-support.co.uk If you still require further assistance, call one of our experts on **01759 487838**.

BUSH

Contact:

www.bush-support.co.uk

Helpline: **01759 487838**