

# Bergen 180 High gloss doors

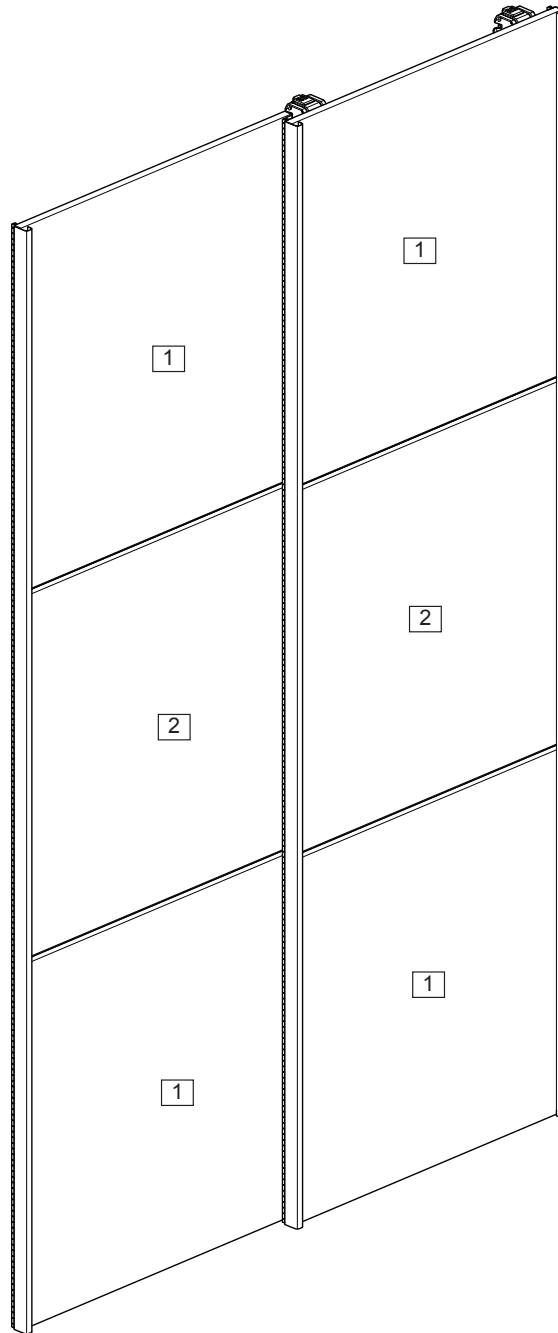
Assembly Instructions Please keep for future reference

518/9696

517/9101

High gloss doors

**hygena**



## Dimensions

Width - 180cm  
Depth - 6.7cm  
Height - 195.2cm

**Tip : To prevent damage,  
we recommend that you  
build your unit on the  
carton(s) it was packed in.**

518/9696 WHITE HG  
517/9101 CAHMERE HG

**Important – Please read these instructions fully before starting assembly**

If you need help or have damaged or missing parts, please visit: [www.argos-support.co.uk](http://www.argos-support.co.uk)  
or email: [Help@ClickSpares.co.uk](mailto:Help@ClickSpares.co.uk) (quoting your original order number)  
Alternatively, call the Spares Helpline on: **0370 112 1928**  
For any other queries please contact the Customer Helpline on: **0345 640 2020**



# Safety and Care Advice

**Important** – Please read these instructions fully before starting assembly

- Check you have all the components and tools listed on pages 2 and 3.
- Remove all fittings from the plastic bags and separate them into their groups.
- Keep children and animals away from the work area, small parts could choke if swallowed.
- Make sure you have enough space to layout the parts before starting.

- Do not stand or put weight on the product, this could cause damage.
- Assemble the item as close to its final position (in the same room) as possible.
- Assemble on a soft level surface to avoid damaging the unit or your floor.
- Parts of the assembly will be easier with 2 people.



power drill is set on a low torque setting.

- Dispose of all packaging carefully and responsibly.

## Care and maintenance

- Only clean using a damp cloth and mild detergent, do not use bleach or abrasive cleaners.
- From time to time check that there are no loose screws on this unit.
- This product should not be discarded with household waste. Take to your local authority waste disposal centre.

## Handy Hints

- Assemble all parts and bolts loosely during assembly, only once the product is complete should you fully tighten the bolts
- Regularly check and ensure that all bolts and fittings are tightend properly.

## Instruction video



• This manual is provided with an additional instruction video. If the icon on the right is displayed at a particular step in the manual, Follow the link: <http://nlink.nu/vid02> Or scan the QR code on the left with your phone.



See page 2 for link to instruction video!

**Note:** if required the next page can be cut out and used as reference throughout the assembly. Keep this page with these instructions for future reference.

# Components - Panels

For damaged or missing parts, please visit:  
[www.argos-support.co.uk](http://www.argos-support.co.uk) or email: [Help@ClickSpares.co.uk](mailto:Help@ClickSpares.co.uk)

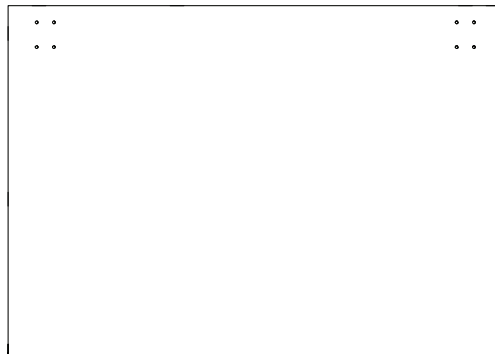
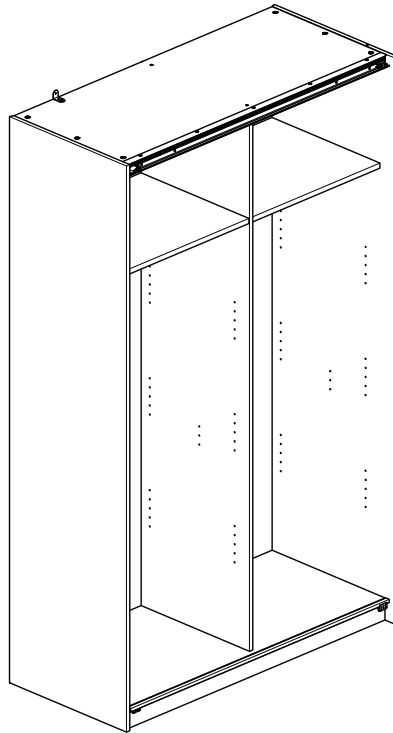
Please check you have all the panels listed below

**Cabinet supplied separately**

249/4834

248/6921

226/8730



**1** Segment x4  
(91.5 x 65cm)  
P3355



**2** Segment middle x2  
(91.5 x 65.1cm)  
P3356

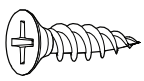
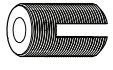
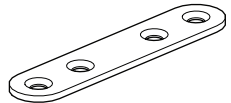
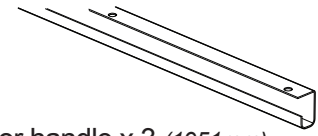
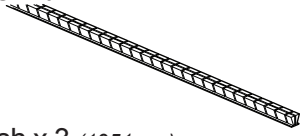
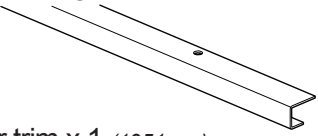
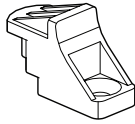


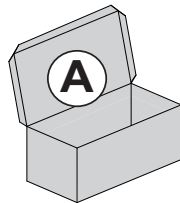
# Components - Fittings


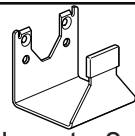
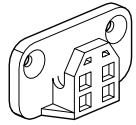
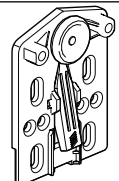
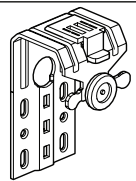
For damaged or missing parts, please visit:  
[www.argos-support.co.uk](http://www.argos-support.co.uk) or email: [Help@ClickSpares.co.uk](mailto:Help@ClickSpares.co.uk)

Please check you have all the fittings listed below

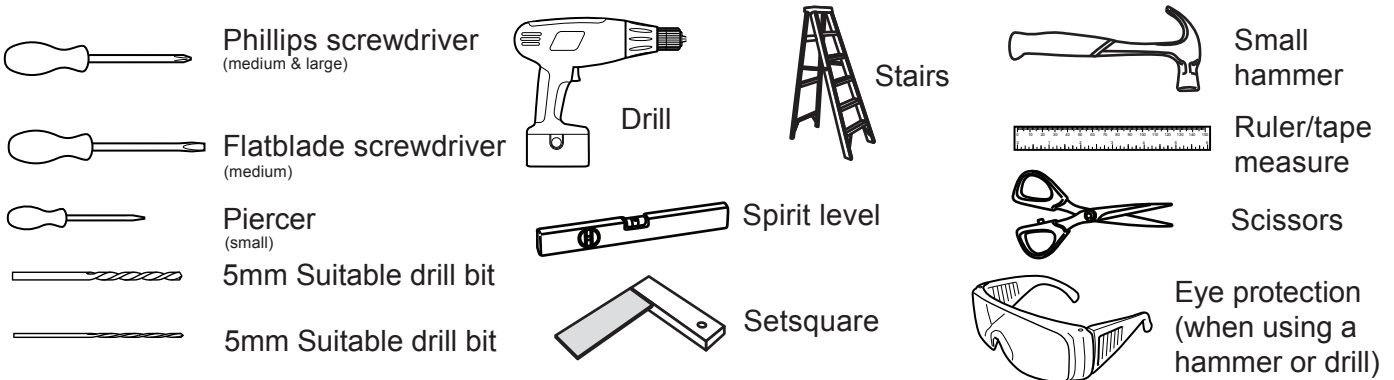
**Note:** The quantities below are the correct amount to complete the assembly. In some cases more fittings may be supplied than are required.

<p><b>D</b> <small>FK1309</small></p>  <p>Screw x 72 (4x12.5mm)</p>	<p><b>E</b> <small>FK1082</small></p>  <p>Plug, Nylon x 32 (5x9mm)</p>	<p><b>O</b> <small>FK1236</small></p>  <p>Connecting plate x 8</p>
<p><b>S</b> <small>PM1652B</small></p>  <p>Door handle x 3 (1951mm)</p>	<p><b>T</b> <small>PM1652C</small></p>  <p>Brush x 3 (1951mm)</p>	<p><b>U</b> <small>PM1652D</small></p>  <p>Door trim x 1 (1951mm)</p>
		<p><b>AE</b> <small>ZF9997F</small></p>  <p>Spacer x 1</p>



<p><b>AC</b> <small>ZF9997L</small></p>  <p>Screw x 33 (4x15mm)</p>			<p><b>AI</b> <small>ZF9997C</small></p>  <p>Front guide part x 2</p>
<p><b>AJ</b> <small>ZF9998D</small></p>  <p>Back guide part x 2</p>	<p><b>AK</b> <small>ZF9997B</small></p>  <p>Sliding door connecting plate x 2</p>	<p><b>AL</b> <small>ZF9997A</small></p>  <p>Sliding door connecting bracket x 2</p>	

## Tools required



Ruler - Use this ruler to help correctly identify the screws

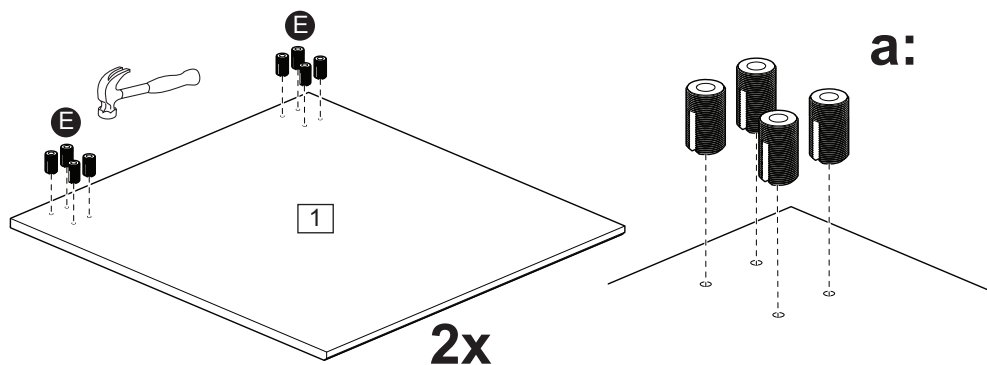


# Assembly Instructions

## Step 2

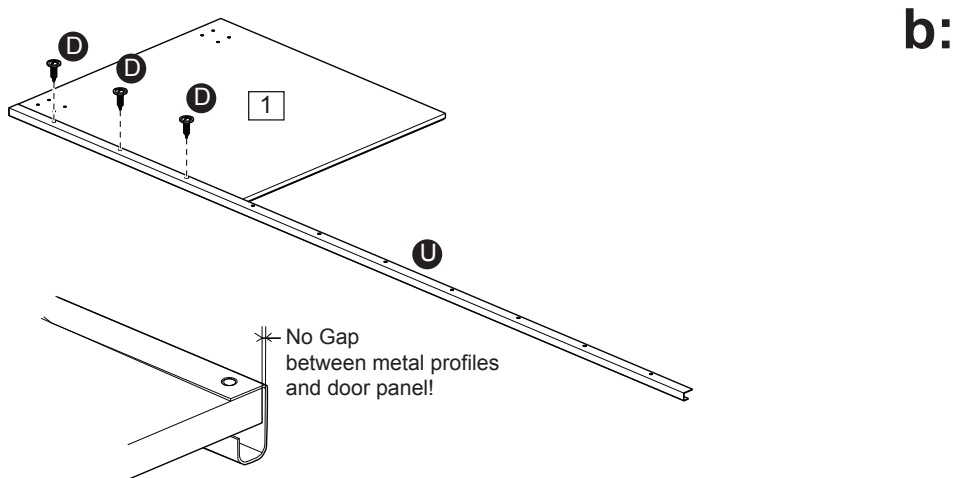
### 3 Segment slide door left

**a:** Put 8x nylon plug **E** into the segment **1**.  
Use a small hammer.  
Repeat this step.

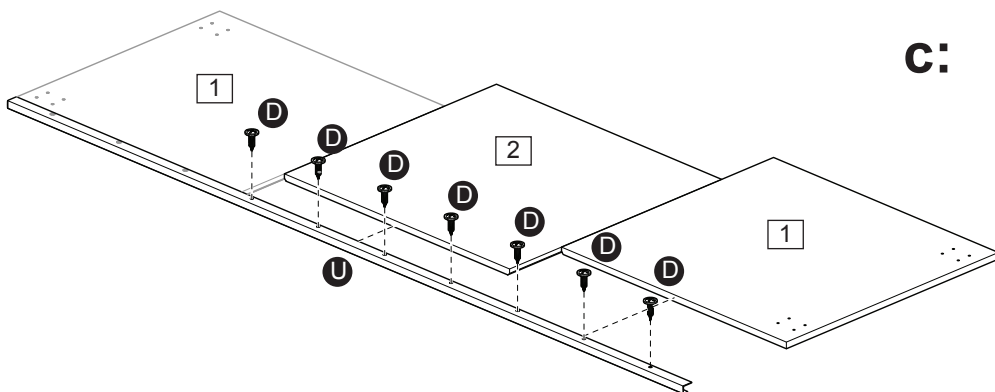


**b:** Mount door trim **U** with 3x screws **D** on segment **1**.

**Note:** there should be no gap between doorsegment **1** and door trim **U**.

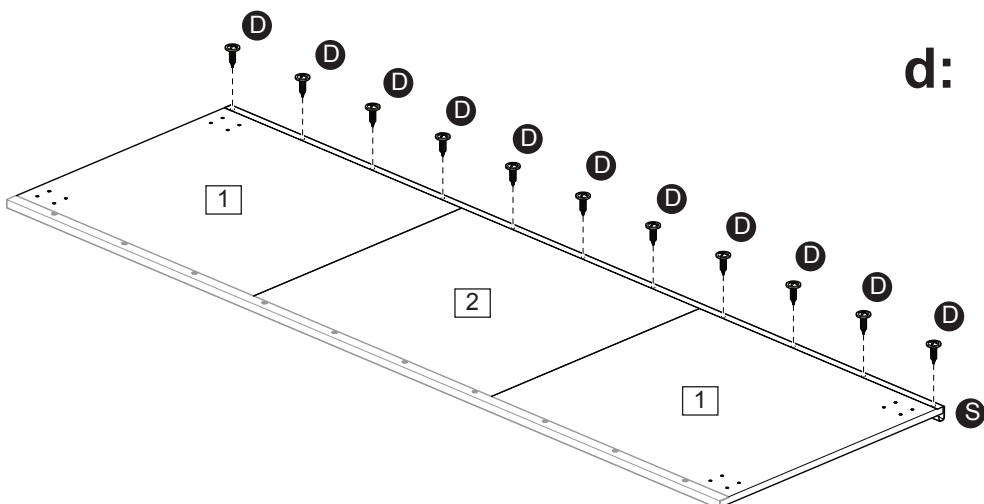


**c:** Mount segment middle **2** with 3x screws **D** on door trim **U**.  
Mount segment **1** with 4x screws **D** on door trim **U**.



**d:** Mount door handle **S** on segment **1** with 4x screws **D** and on middle segment **2** with 3x screws **D**.

**Note:** there should be no gap between doorsegment **1** and door handle **S**.



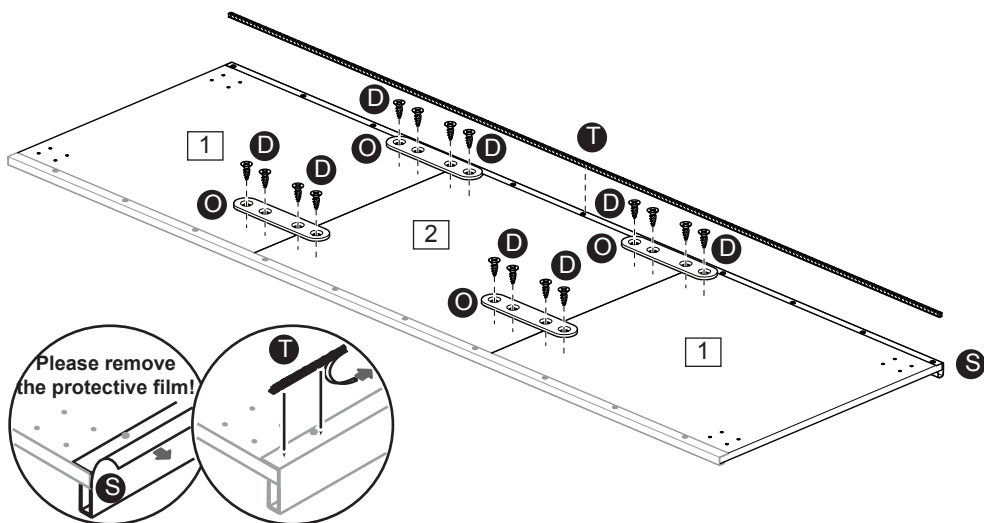
# Assembly Instructions

## Step 2

### 3 Segment slide door left

**e:** Mount 4x connecting plate **O**, each with 2x screws **D** on segment **1** and 2x screws **D** on middle segment **2**.

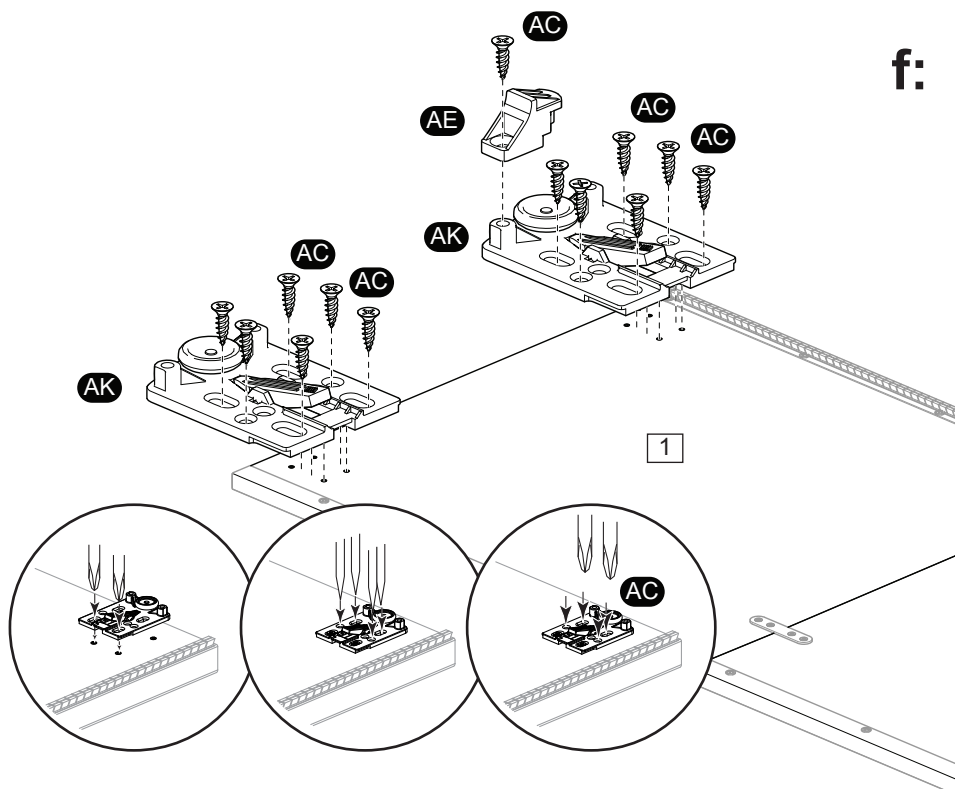
Remove protective film from door handle **S**.  
Stick 1x brush **T** onto door handle **S** by partially removing the cover from adhesion as brush is applied.



See page 2 for link to instruction video!

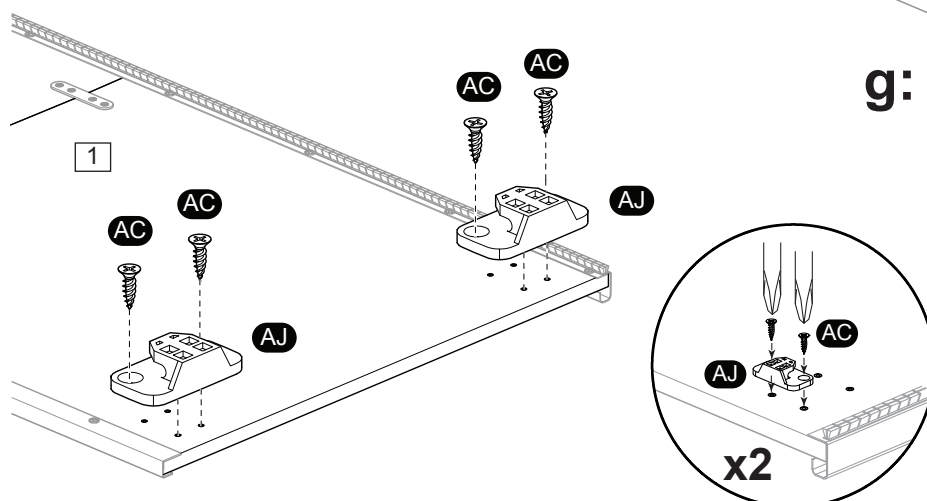
### f: Upside.

Mount 2x Sliding door connecting plate **AK** squarely by using the guidemarks in the plate **AK**, each with 6x screws **AC** on segment **1**.  
Attach 1x spacer **AE** with 1x screw **AC** on the brush side sliding door connecting plate **AK**.



### g: Underside.

Mount 2x back guide part **AJ**, each with 2x screws **AC** on segment **1**.



# Assembly Instructions

## Step 3

Place left slide door

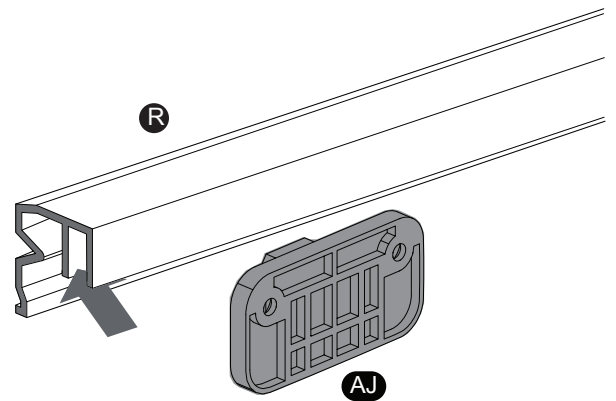
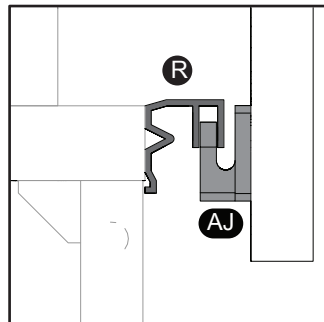
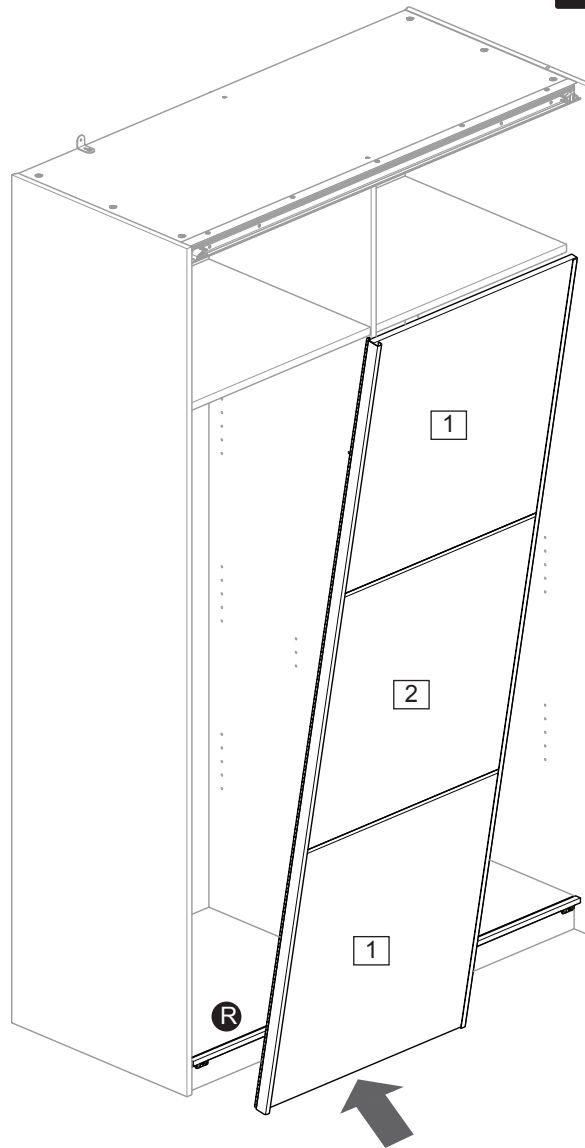
2 People are required for step 3a and 3b.

**a:** Hook the 2x back guide part **AJ** into the plastic guide rail **R**.

**a:** Detail.  
The hook of the back guide part **AJ** should be in the front guide of the plastic guide rail **R**.



See page 2 for link to instruction video!

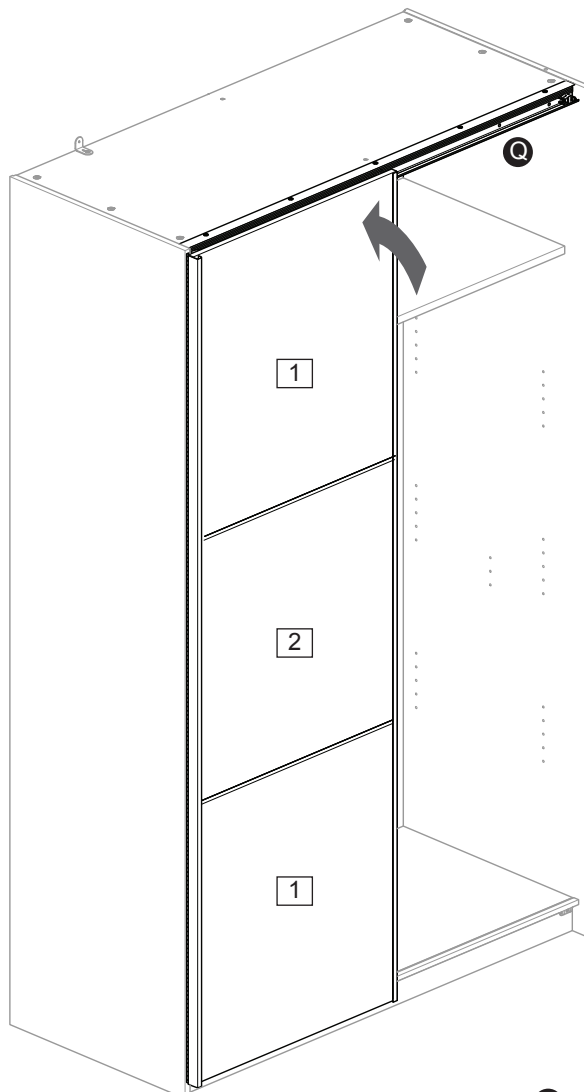


# Assembly Instructions

## Step 3

### Place left slide door

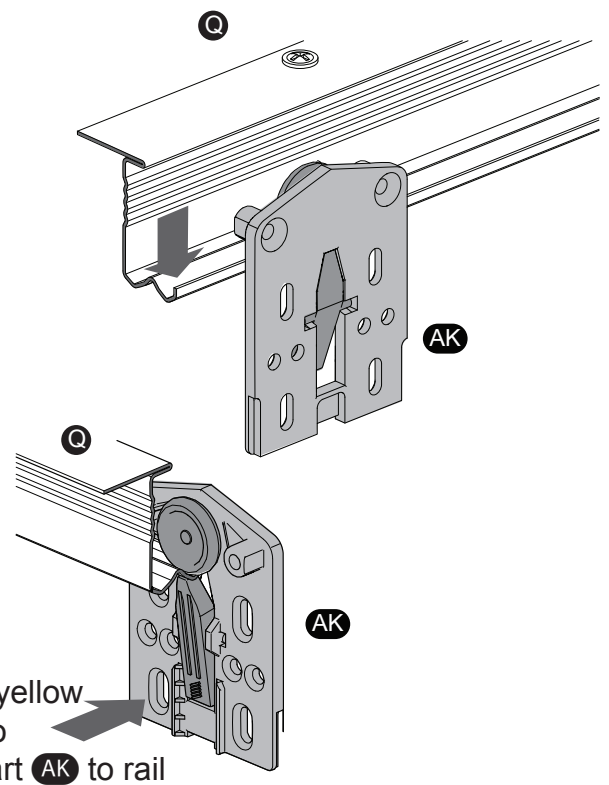
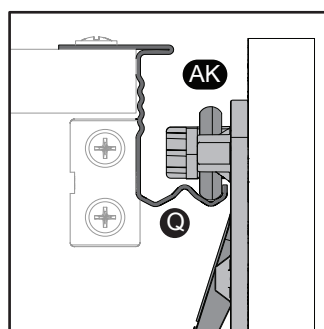
**b:** Hook Sliding door connecting plate **AK** on metal guide rail **Q**.



### **b:** Detail.

The wheel of the sliding door connecting plate **AK** should be in the front guide of the metal guide rail **Q**.

To lock the door, lock the Sliding door connecting plate **AK** on the guide rail **Q** with the locking pawl.



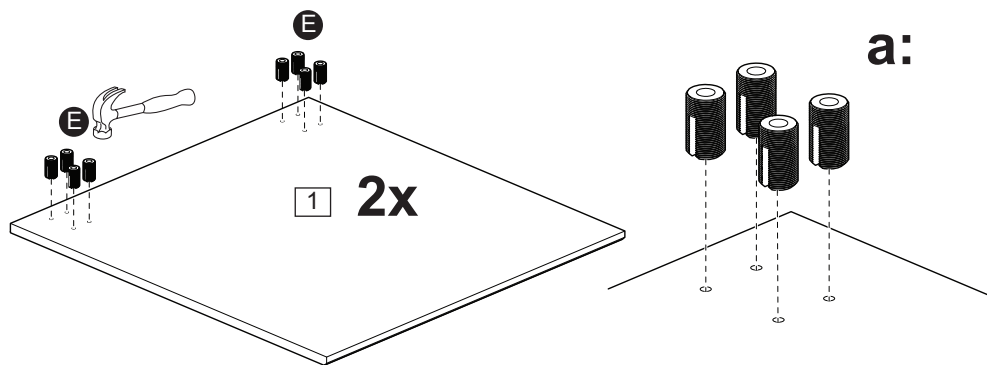


# Assembly Instructions

## Step 4

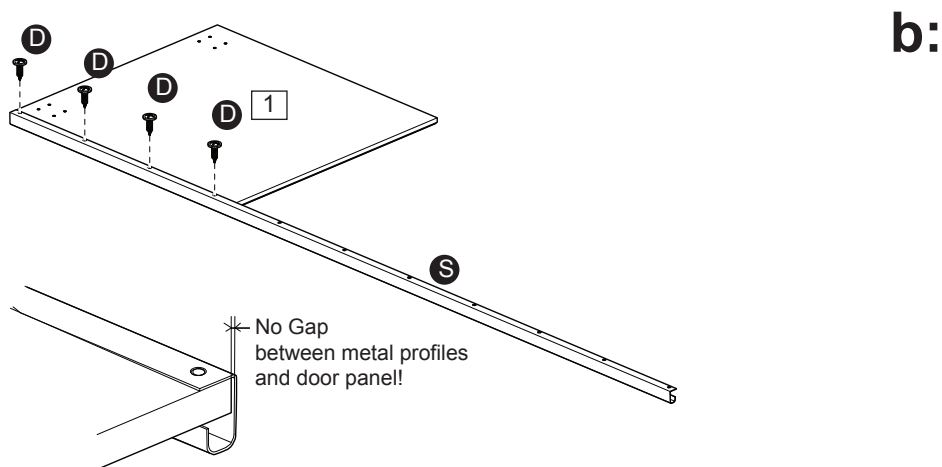
### 3 Segment slide door right

**a:** Put 8x nylon plug **E** into the segment **3**. Use a small hammer. Repeat this step.

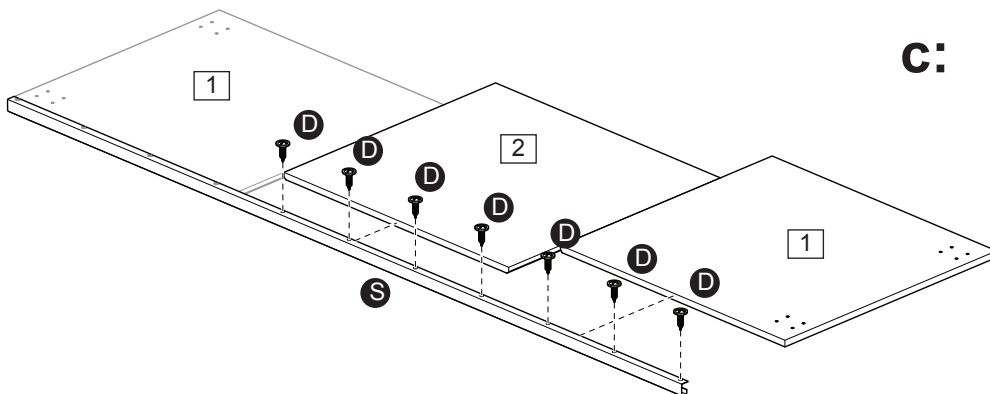


**b:** Mount door handle **S** with 4x screws **D** on segment **3**.

**Note:** there should be no gap between doorsegment **3** and door handle **S**.

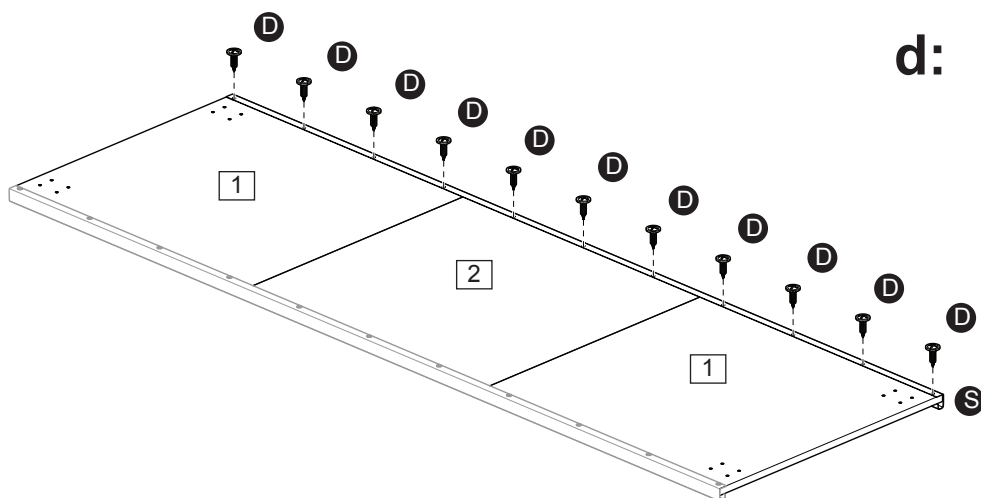


**c:** Mount segment middle **4** with 3x screws **D** on door handle **S**. Mount segment **3** with 4x screws **D** on door handle **S**.



**d:** Mount door handle **S** on segment **3** with 4x screws **D** and on middle segment **4** with 3x screws **D**.

**Note:** there should be no gap between doorsegment **3** and door handle **S**.



# Assembly Instructions

## Step 4

### 3 Segment slide door right

**e:** Mount 4x connecting plate **O**, each with 2x screws **D** on segment **3** and 2x screws **D** on middle segment **4**.

Remove protective film from door handle **S**.  
Stick 2x brush **T** onto 2x door handle **S** by partially remove the cover from adhease as brush is applied.

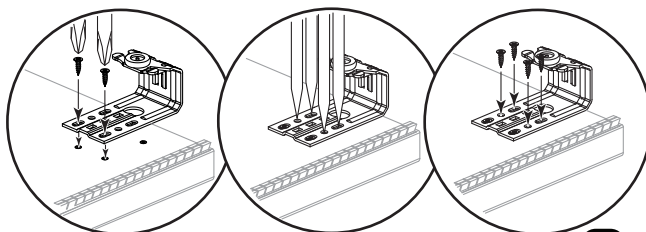
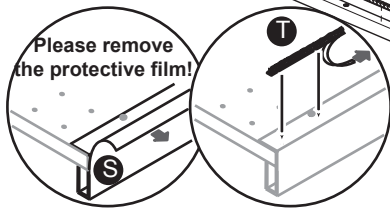
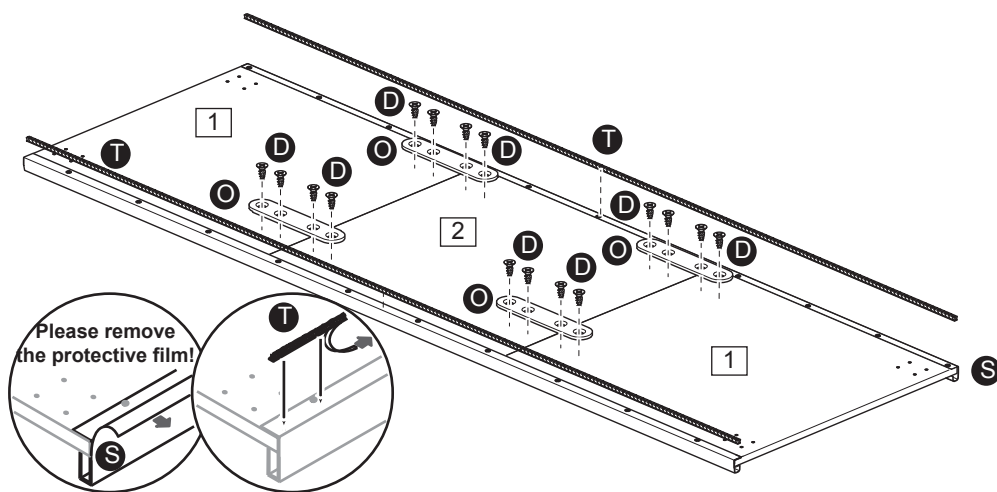
**f:** Upside.  
Mount 2x sliding door connecting bracket **AL** squarely by using the guidemarks in the plate **AL**, each with 6x screws **AC** on segment **3**.

**g:** Underside.  
Mount 2x front guide part **AI**, each with 2x screws **AC** on segment **3**.

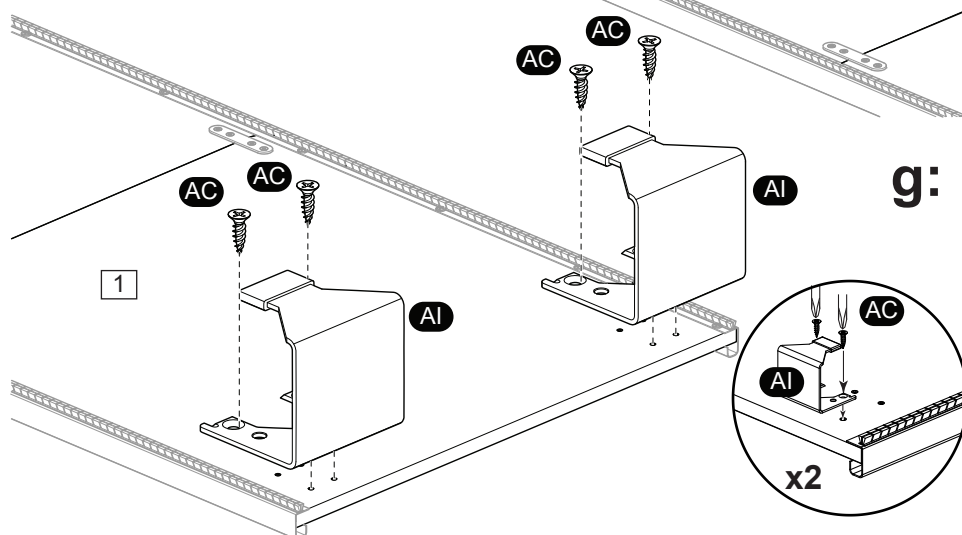
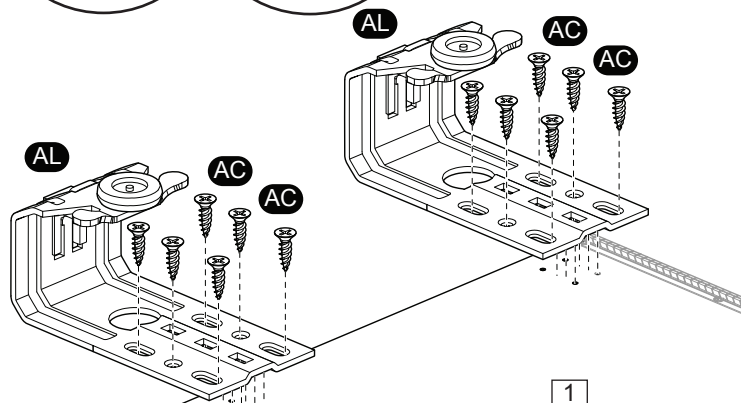


See page 2 for link to instruction video!

**e:**



**f:**



# Assembly Instructions

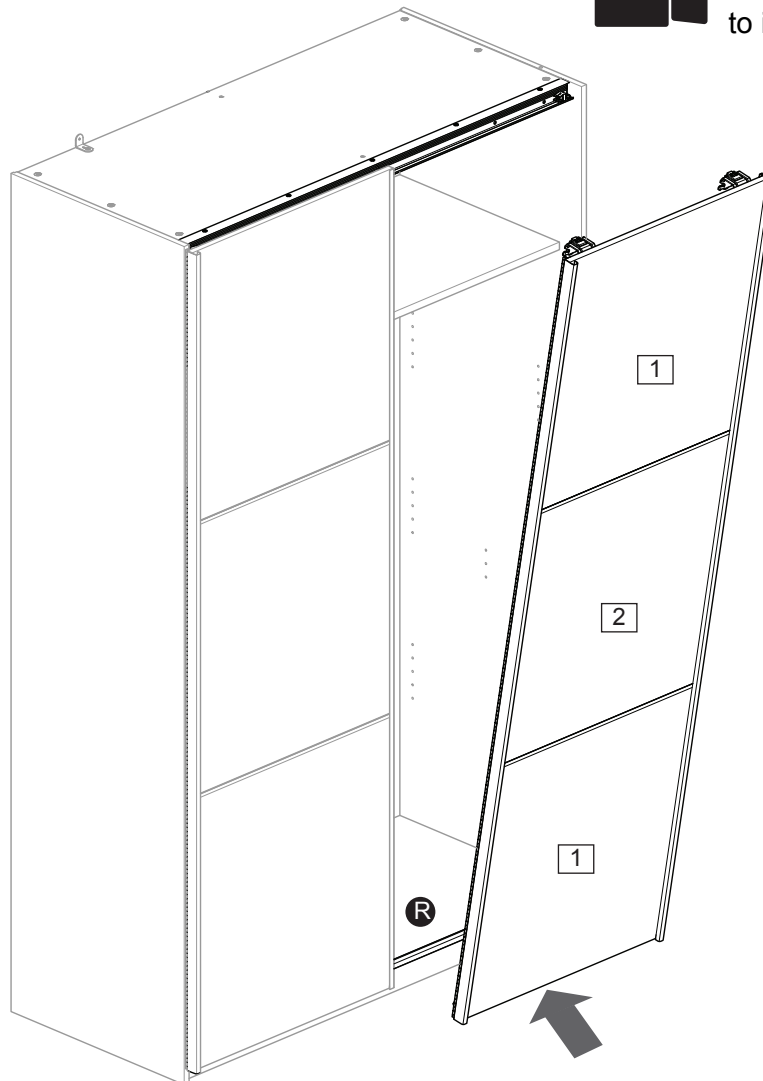
## Step 5

### Place right slide door

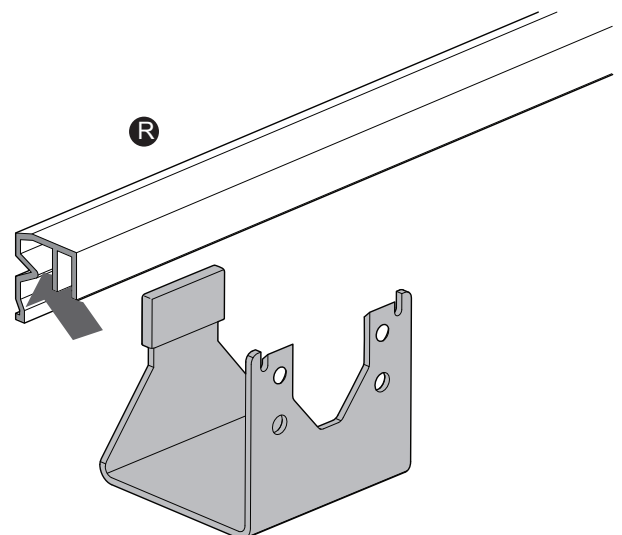
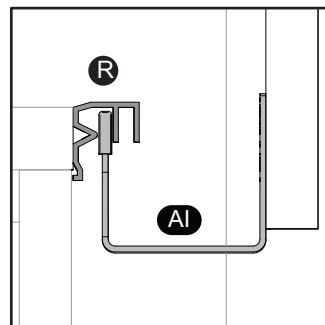
**a:** Hook the 2x front guide part **(AI)** into the plastic guide rail **(R)**.



See page 2 for link to instruction video!



**a:** Detail.  
The hook of the rear guide part **(AI)** should be in the front guide of the plastic guide rail **(R)**.



# Assembly Instructions

## Step 5

### Place right slide door

**b:** Hook the sliding door connecting bracket **AL** on metal guide rail **Q**.

### **b:** Detail.

The wheel of the sliding door connecting bracket **AL** should be in the rear guide of the metal guide rail **Q**.

To lock the door, lock the sliding door connecting bracket **AL** on the guide rail **Q** with the locking pawl.

**a:**

