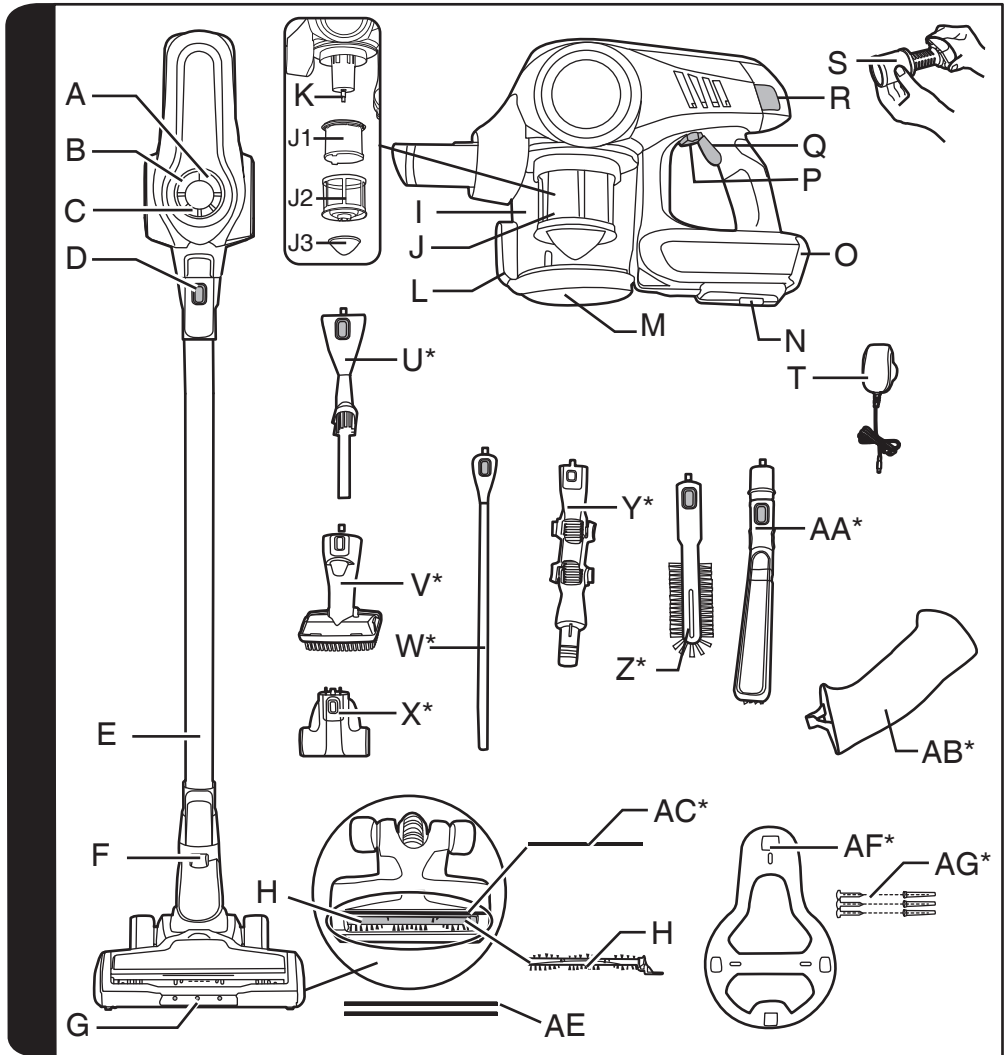


HOOVER

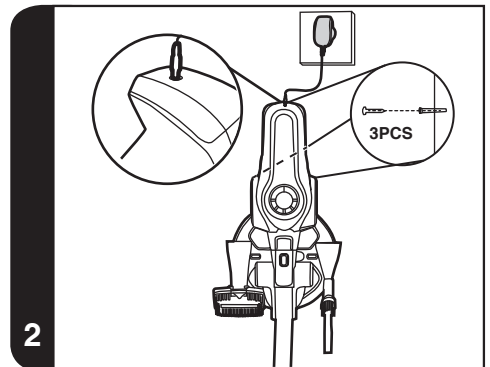
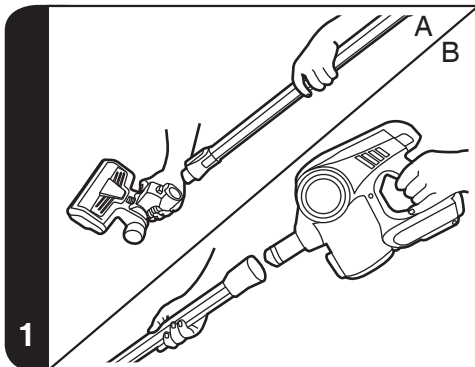
INSTRUCTION MANUAL

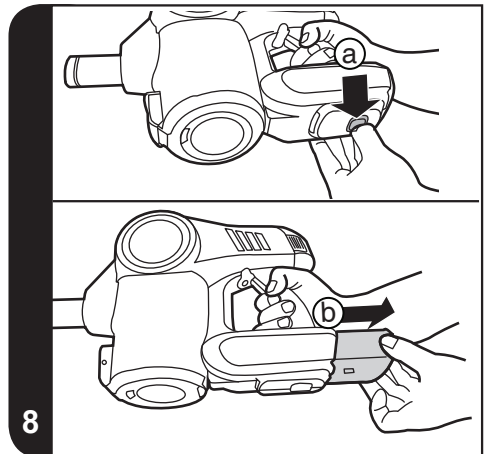
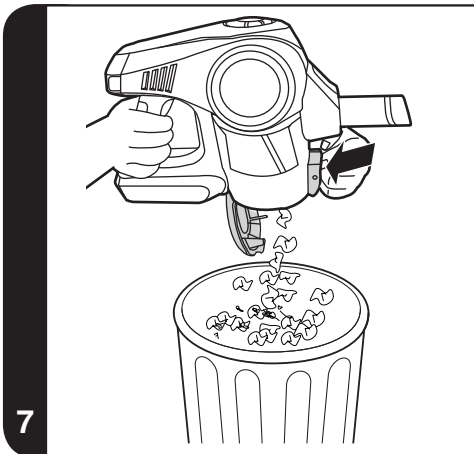
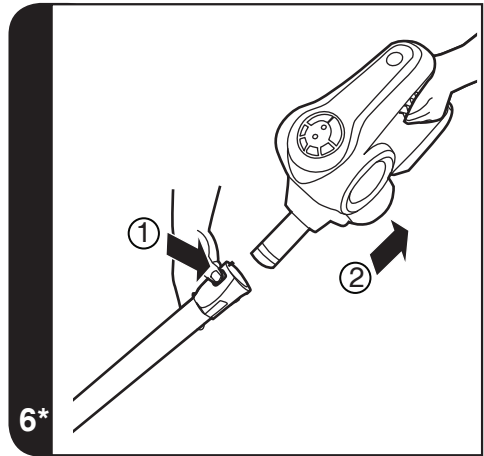
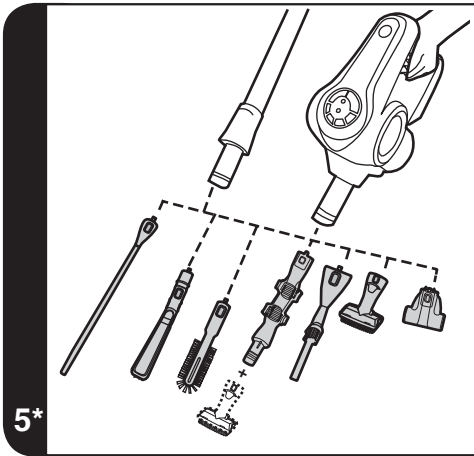
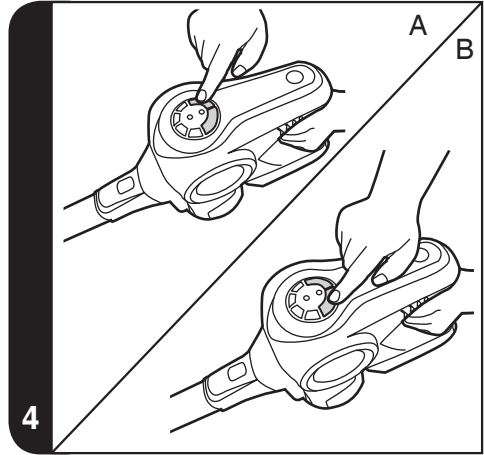
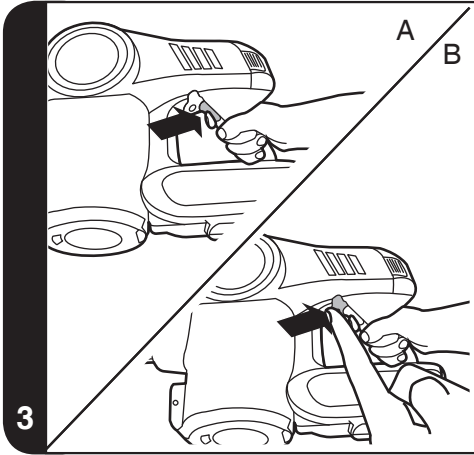


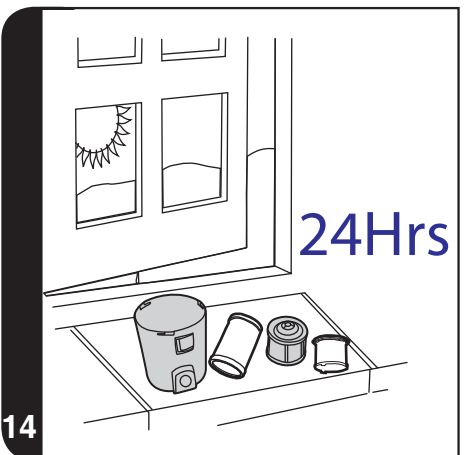
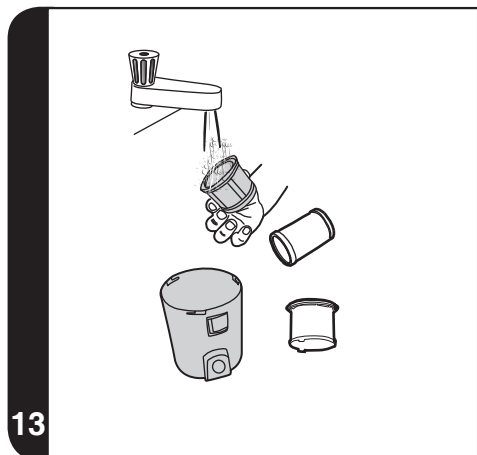
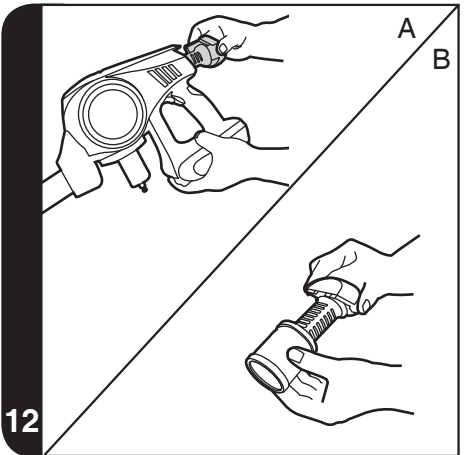
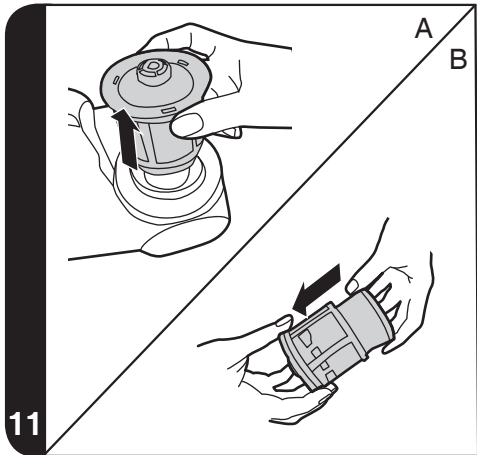
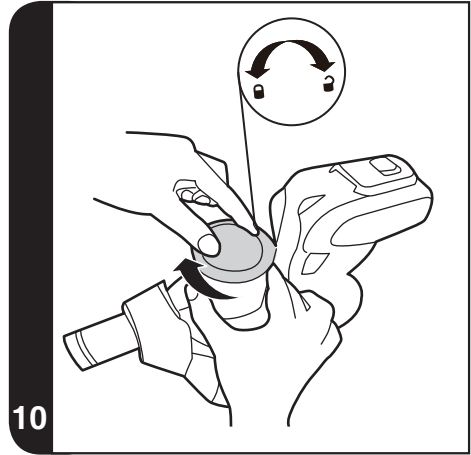
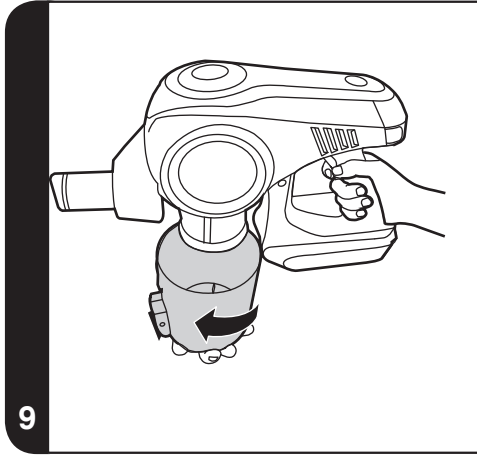
BORN INNOVATIVE

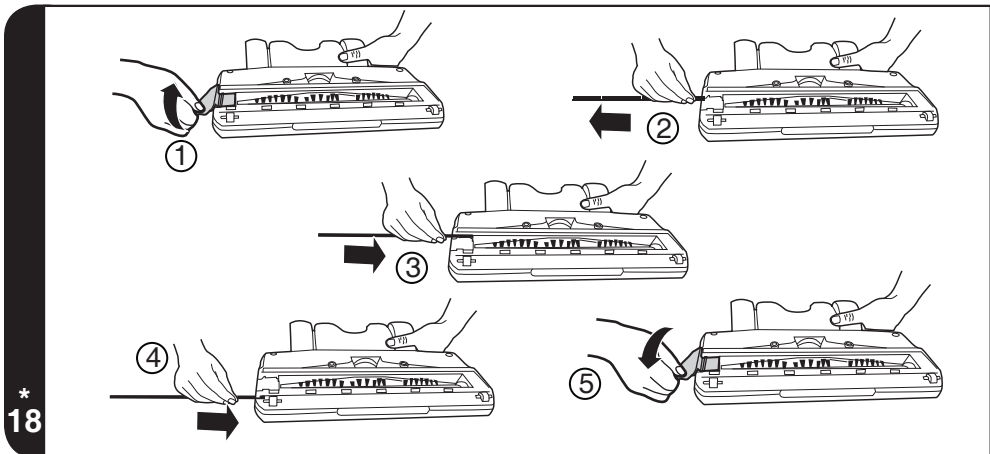
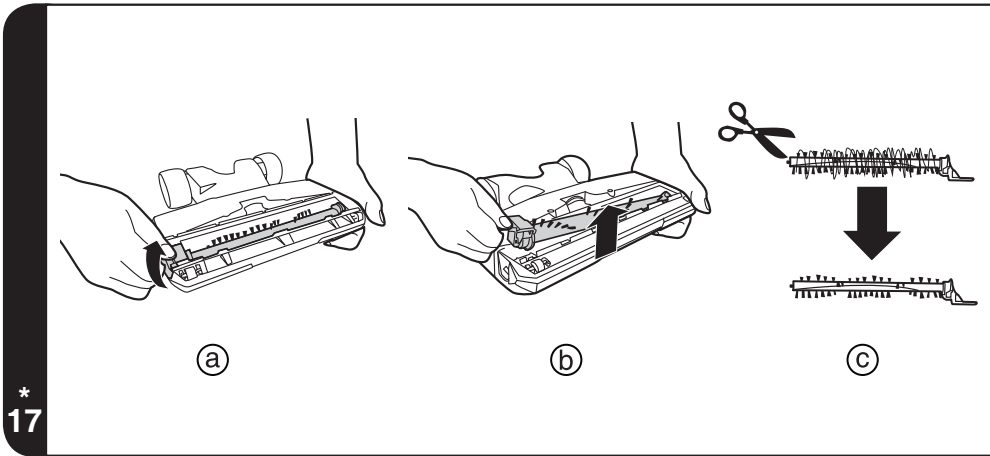
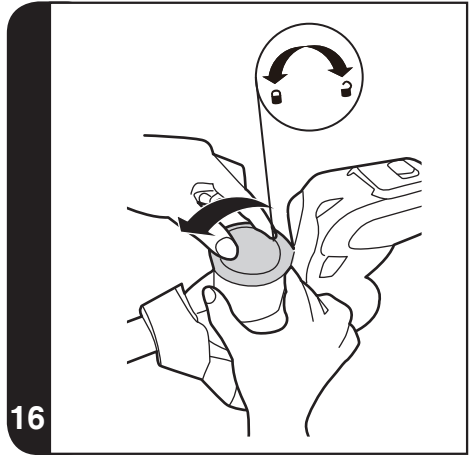
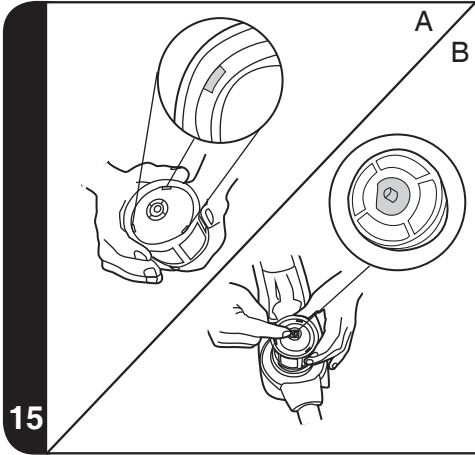


* Certain models only, accessories may vary according to model









INSTRUCTIONS FOR SAFE USE

This appliance should only be used for domestic cleaning, as described in this user guide. Please ensure that this guide is fully understood before operating the appliance.

Always switch off and remove the charger from the socket before cleaning the appliance or any maintenance task.

This appliance can be used by children aged from 8 years and above and persons with reduced physical, sensory or mental capabilities or lack of experience and knowledge if they have been given supervision or instruction concerning use of the appliance in a safe way and understand the hazards involved. Children shall not play with the appliance. Cleaning and user maintenance shall not be made by children without supervision.

If the power cord is damaged stop using the appliance immediately. To avoid a safety hazard, an authorised Hoover service engineer must replace the power cord.

Keep hands, feet, loose clothing and hair away from rotating brushes.

Use only the original charger supplied with the appliance.

Check that your supply voltage is the same as that stated on the charger.

This appliance is supplied with a double insulated battery charger which is only suitable for insertion in a 230V (UK 240V) socket outlet.

Plug the charger in to suitable socket outlet and connect the charger jack plug to the appliance.

When charging the appliance, the power switch lever must be in the off position.

Before first use, charge your appliance for at least 24 hours. The Led indicator light will blink in blue when charging and remain light when fully charged.

Re-connect the appliance to the charger after use to recharge the battery.

Never charge the batteries in temperatures above 37°C or below 0°C.

It is normal for the charger to become warm to the touch when charging.

Do not unplug the charger by pulling on the power cord.

Unplug the charger in the event of prolonged absence (holidays, etc.). Recharge appliance again before use as batteries may self discharge over increased periods of storage.

If the appliance is to be disposed of the batteries must first be removed. The appliance must be disconnected from the supply mains when removing the battery. Dispose of the batteries safely. Run the appliance until it stops because the batteries are fully discharged. Used batteries should be taken to a recycling station and not disposed of with household waste. To remove the batteries, please contact the Hoover Customer Centre or proceed according to the following instructions.

IMPORTANT: Always fully discharge the batteries before removal.

Run the cleaner until the batteries are completely empty.

Remove the charger jack plug from the appliance.

Pull down the battery pack release button and the battery pack will be pushed out a short distance automatically. **[8A]**

Drag the battery pack slowly from the slot. **[8B]**

Note: Should you experience any difficulty in dismantling the unit or for more detailed information on treatment, recovery and recycling of this appliance, please contact your local city office or your household waste disposal service.

Use only attachments, consumables or spares recommended or supplied by Hoover.

Static electricity: Some carpets can cause a small build up of static electricity. Any static discharge is not hazardous to health.

Do not use your appliance out of doors or on any wet surface or for wet pick up.

Do not pick up hard or sharp objects, matches, hot ashes, cigarette ends or other similar items. Do not spray with or pick up flammable liquids, cleaning fluids, aerosols or their vapours.

Do not run over the power cord when using your appliance or remove the plug by pulling on the power cord. Do not continue to use your appliance or charger if it appears faulty.

Hoover service: To ensure the continued safe and efficient

operation of this appliance we recommend that any servicing or repairs are only carried out by an authorised Hoover service engineer.

Do not use the appliance to clean animals or people.

Do not replace the batteries with non-rechargeable batteries.

The Environment:

This appliance is marked according to the European directive 2011/65/EC on Waste Electrical and Electronic Equipment (WEEE). By ensuring this product is disposed of correctly, you will help prevent potential negative consequences for the environment and human health, which could otherwise be caused by inappropriate waste handling of this product. The symbol on the product indicates that this product may not be treated as household waste. Instead it shall be handed over to the applicable collection point for the recycling of electrical and electronic equipment. Disposal must be carried out in accordance with local environmental regulations for waste disposal. For more detailed information about treatment, recovery and recycling of this product, please contact your local city office, your household waste disposal service or the shop where you purchased the product.



This product complies with the European Directives 2014/35/EU, 2014/30/EU and 2011/65/EU.

CANDY HOOVER GROUP S.r.l. Via Privata Eden Fumagalli, 20861 Brugherio (MB) Italy

PRODUCT COMPONENTS

- | | |
|------------------------------------|--|
| A. Turbo On/Off Button | P. Switch Lever |
| B. Carpet Button | Q. ON/OFF Switch |
| C. LED Indicators | R. Exhaust Filter Release Button |
| D. Handheld Release Button | S. Exhaust Filter |
| E. Tube | T. Charger |
| F. Nozzle Release Button | U. 2 In 1 Tool With Quick&Secure Connection* |
| G. Nozzle Front Light | V. 2 In 1 Large Dusting And Furniture Brush
With Quick&Secure Connection* |
| H. Intense Floor Roller | W. Long Flexible Crevice Tool With Quick & Secure Connection* |
| I. Dust Cup | X. Mini Turbo Nozzle With Quick & Secure Connection* |
| J. HSpin-Core Technology Assembly: | Y. Up To Top Tool Adaptor With Quick & Secure Connection* |
| J1. Motor Cover | Z. Radiator Tool With Quick & Secure Connection* |
| J2. Mesh Filter | AA. Deep Cleaning Brush With Quick & Secure Connection* |
| J3. Cover Cup | AB. Accessory Bag* |
| K. Motor Shaft | AC. Rear Fluffy Blade* |
| L. Dust Cup Empty Button | AD. Wiper blades |
| M. Dust Cup Bottom Cover | AE. Wall Mount* |
| N. Battery Pack Release Button | AF. Screws Plugs* |
| O. Battery Pack | |

PREPARING YOUR CLEANER

1. Insert the nozzle head into one side of tube until you heard a "click" sound. **[1A]**
2. Insert another side of tube into handheld unit until you heard a "click" sound. **[1B]**
3. Fix the Wall Mount to your wall using the screws and screw plugs provided. **[2]**
4. To fully charge the appliance, connect the charger jack plug to the battery pack. It will take around 6Hrs. **[2]**

NOTE: To remove the nozzle, press the nozzle release button and pull away from the main body.

NOTE: Use only the charger supplied with your cleaner to recharge.

IMPORTANT: when charging the cleaner, the switch lever must be in the OFF position. You can charge the battery pack also when released from the product.

It is normal for the charger to become warm to touch when charging.

* Certain Models Only

USING YOUR CLEANER

There are four working modes:

- **TEMPORARY MODE:** The product will start working when you press on the ON/OFF Switch and stop when released. **[3A]**
- **CONTINUOUS MODE:** To enable continuous mode you can pull switch lever back and it will click into place. **[3B]** To disable continuous mode you can push the switch lever forward.

CARPET MODE: Press the Carpet button to use the product on carpets.

TURBO MODE: Press Turbo button to full power on either floor or carpet mode.

IMPORTANT: After each use of your product, please ensure to push the switch lever forward to the unlocked position. Failure to do so may result in a reduction in battery life or failure.

WIPER BLADE ASSEMBLY

To obtain the best crevice and carpet performance, it is recommended to assemble the front and rear wiper blades to the soleplate of the nozzle.

To do this, open the agitator release flap and remove the soft strip. Then grip one wiper blade, by inserting one end into the rear slot and slide it in until fully home. Repeat these operations for the second wiper blade and slide it in the front slot. Lock the agitator release flap. **[18]**

SAFETY PROTECTION SYSTEM

To ensure the reliability of the product is not affected if used under arduous conditions, the product features an integrated safety protection system.

NOTE: The Safety protection system will action if the agitator has a blockage or is locked, once actioned, the agitator will stop rotating and the white Led lights on the front of the nozzle will go out. If this happens, simply turn off your product and clear the agitator obstruction. To resume cleaning, press the on/off button and the product will start in normal mode.

BATTERY

DISPLAY Led:

This cleaner is equipped with a Led display. When the product is on and the display illuminated the indicators show the following information.

BATTERY LEVEL INDICATOR:

- 4 points = 100% charge
- 3 points = 75% charge
- 2 points = 50% charge
- 1 point = 25% charge

CHARGING

During the charging process if the battery charged level is below 25% you will see the first Led blink until it reaches above 25%, then it will stay illuminated. This process will continue on all points of the Led indicating level of battery charge 25%, 50%, 75%, etc. When the battery charge has reached 100% all 4 points will be illuminated.

Please note to ensure your battery is being charged at a safe working temperature we have fitted a safety device. If this device activates and you commence the charging process then you will see the first Led flash until it has reset. After it has automatically reset the normal charging process as described above will commence.

DISCHARGING

When the product is running and the batteries are discharging the Led indicator light will start to flash when the battery capacity is lower than 5% indicating the need to recharge.

ACCESSORIES

2 IN 1 CREVICE & DUSTING BRUSH WITH QUICK & SECURE CONNECTION*, 2-1 LARGE DUSTING & FURNITURE BRUSH WITH QUICK & SECURE CONNECTION*, LONG FLEXIBLE CREVICE TOOL WITH QUICK & SECURE CONNECTION*, MULTI FUNCTION UP TO TOP TOOL ADAPTOR WITH QUICK & SECURE CONNECTION*, MINI TURBO NOZZLE WITH QUICK & SECURE CONNECTION*, RADIATOR TOOL WITH QUICK & SECURE CONNECTION* AND DEEP CLEANING BRUSH WITH QUICK & SECURE CONNECTION.

The above accessories can be fitted directly into the handheld unit or one side of the tube. **[5]**

NOTE: The mini-turbo nozzle is ideal for deep cleaning textile surfaces (i.e. sofas) and pet hair removal. Move it steadily backwards and forwards. After using, please remove hair / threads collected on the brush with scissors if necessary.

* Certain Models Only

NOTE: The long flexible crevice tool is ideal for cleaning in hard to reach areas, underneath furniture and in your car.

NOTE: The radiator tool is ideal for cleaning inside and around cabinets, radiators, couches, blinds and more.

NOTE: The deep cleaning brush is useful to clean in tight spaces without scratching surfaces, and inside your car.

NOTE: The multi-function up to top tool adaptor is recommended to reach high furniture and ceilings. You can attach to whatever tool, apart from the mini turbo, to clean high corners, curtains, or above high furniture.

ACCESSORY BAG*

Accessories can be stored in the accessory bag.

WALL MOUNT*

Hang the wall mount to the wall, using the three screws included in the product [2] to hang product, 2in1 crevice & dusting brush, 2in1 large dusting & crevice and mini turbo nozzle (when included).

CLEANER MAINTENANCE

Emptying the Dust Container

1. Press the handheld release button and remove the tube. [6]
2. Press the dust cup empty button to release the bin flap and empty the contents. [7]
3. Close the dust cup flap up, you will hear a click when fully locked.

NOTE: It is recommended to empty the dust cup after each use or when dust is up to the max fill lines.

Cleaning the Dust Container and Filter

1. Press the handheld release button and remove the tube. [6]
2. Press the dust cup empty button to open the bin flap and empty it. [7]
3. Push down the battery pack release button and remove the battery pack. [8A,8B]
4. Turn the dust bin in a clockwise direction, align the arrow marks and remove from cleaner main body. [9]
5. Clean any excess dust from the mesh filter [J2], hold the mesh firmly with one hand and with the other turn the cover cup [J3] in a clockwise direction to remove the mesh filter. [10]
6. Once the cup cover is removed, pull the HSpin-Core Technology assembly away from the main body.
7. Hold the top of the motor cover [J1] and remove the mesh filter by pulling away. [11B]
8. Press the two exhaust filter release buttons and then remove the exhaust filter. [12A, 12B]
9. When cleaning the the filters, wash the mesh filter [J2] and exhaust filter [S] in luke warm water. [13] Please ensure all parts are completely dry before reassembling. [14]
10. When reassembling the HSpin-Core Technology, firstly reattach the mesh filter to the motor cover, [15A] then align this assembly with the motor shaft, paying particular attention to the flat surface on the motor shaft. [15B]
11. Secondly again hold mesh filter and refit cover cup: rotate in an anti-clockwise direction to lock [16]. PLEASE ENSURE YOU DO NOT OVERTIGHTEN AS THIS MAY DAMAGE THE THREAD.
12. Complete reassembly of the handheld unit and then attach it to the wall Mount. [17]

NOTE: Do not use hot water or detergents when cleaning the exhaust filters. In the unlikely event of the exhaust filters becoming damaged, fit a genuine Hoover replacement. Do not try use the product without a filter fitted.

IMPORTANT: For optimum performance, always keep your mesh filter clean. We recommend that the filter should be washed at least once a month.

Changing and Cleaning the Agitator

IMPORTANT: Always switch off the cleaner before changing and cleaning the agitator.

1. Detach the agitator release button flap. It is positioned on the lateral part of the nozzle. [18]
2. Hold the agitator release flap and pull down to remove the agitator. [18]
3. Replace with new agitator or clean it. This can only fit in one direction.
4. Re-fit in position the agitator release flap.

Replacing the Batteries

This cleaner is fitted with a rechargeable Lithium ion battery pack and it is replaceable.

WARNING: Only use approved replacement parts for your cleaner. Using parts not validated by Hoover are dangerous and will invalidate your guarantee.

WARNING: Do not try to open the battery pack and repair it by yourself.

1. Pull down the battery pack release button and the battery pack will be pushed out short distance automatic. [8A]
2. Drag the battery pack slowly from the slot. [8B]
3. Removed the old battery pack and replace with the new battery pack.
4. Dispose of the batteries safely. Used batteries should be taken to a recycling station and not disposed off with household waste.

TROUBLE SHOOTING

Should you have any problem with you cleaner, follow this simple check list before calling the Hoover Customer Service Centre:

A. Cleaner does not switch on

Check if the cleaner is charged.

Check if the battery pack is assembled in place.

B. Cleaner stop working

Check if the HSpin-Core Technology motor is blocked.

Clear it and ensure the continuous mode lever is off. Once this is done simply press the on/off button, the product will restart after a few seconds.

C. Loss of suction or no suction

Empty the dust cup and wash the mesh filter and clean the HSpin-Core Technology assembly.

Remove nozzle and check for any blockages in the duct.

D. Batteries cannot be charged

This may be a result of very long storage periods (over half year).

Contact Hoover customer service to arrange battery replacement.

If the problem persists contact the Hoover customer service centre.

HOOVER SPARES AND CONSUMABLES

Always replace parts with genuine Hoover spares. These are available from your local Hoover dealer or direct from Hoover. When order parts always quote your model number.

YOUR GUARANTEE

The guarantee conditions for this appliance are as defined by our representative in the country in which it is sold. Details regarding these conditions can be obtained from the dealer from whom the appliance was purchased. The bill of sale or receipt must be produced when making any claim under the terms of this guarantee.

IMPORTANT: The battery in this cleaner is guaranteed for 2 years from the date of purchase. After 2 years the customer is liable for the cost of a new battery.

Subject to change without notice.



®

BORN INNOVATIVE

PRINTED IN P.R.C.
48026340/01