

MICROWAVE OVEN

morphy richards®

Installation & User Instructions –
Please keep for future reference

D90D23EL-B8(E17)



www.morphyrichards.com

Contents

Safety Information.....	3
Installation.....	7
Parts and assembly.....	8
Control panel.....	9
Setting the clock.....	10
Stop cooking / cancel.....	10
Control panel lock.....	11
Selecting microwave power level.....	11
Microwave express mode.....	12
Microwave cooking.....	13
Defrosting.....	14
Grill cooking.....	15
Combination cooking.....	16
Auto cook.....	17
Cleaning your oven.....	20
Materials suitable for use in the oven.....	21
General microwave cooking advice.....	22
Troubleshooting.....	23
Technical Specification.....	24
Recycling electrical products.....	24
Plug rewiring.....	25
Guarantee.....	26

Safety information

Important – Please read these instructions fully before installation


- **WARNING:** It is hazardous for anyone other than a competent person to carry out any service or repair operation that involves the removal of a cover that gives protection against exposure to microwave energy. Servicing of this appliance must only be carried out by a qualified electrician.
- **WARNING:** If the door or door seals are damaged, the oven must not be operated until it has been repaired by a competent person. Do not operate this appliance if damaged or modified in any way.
- Keep the appliance and its cord out of reach of children less than 8 years.
- When operating in combination or grill modes, the oven becomes extremely hot. Do not allow children to use the appliance without adult supervision
- This appliance can be used by children aged from 8 years and above and persons with reduced physical, sensory or mental capabilities or lack of experience and knowledge if they have been given supervision or instruction concerning use of the appliance in a safe way and understand the hazards involved. Children shall not play with the appliance. Cleaning and user maintenance shall not be made by children unless they are aged from 8 years and above and supervised.
- Switch off and unplug before cleaning or servicing the appliance.
- Keep microwave, cable and plug dry and away from areas where it is likely to get splashed. Never immerse in water. Never clean with a steam cleaner.
- Do not pull on the cable to disconnect from the mains supply.

- This oven must be positioned so that the plug is accessible and the plug socket is within easy reach of the power cord.
- Do not operate the microwave if damaged or after it malfunctions. In the event the supply cord is damaged, it must only be replaced by a qualified service engineer, with a suitably approved part.
- Do not place items with naked flames or containers with liquids on this appliance.
- The mains plug shall be connected into a mains socket outlet with a protective earth connection.
- All microwaves are tested and approved in accordance with current electromagnetic safety and compatibility regulations and standards. As a precautionary measure, pacemaker manufacturers recommend wearers to keep a minimum distance of 20-30 cm between an operating microwave oven and the pacemaker in order to avoid possible interference with the pacemaker. If you suspect there may be interference, turn the microwave off immediately and contact the manufacturer of the pacemaker.

WARNING!

- This appliance is not intended to be used in: staff kitchen areas in shops, offices and other working environments; farm houses; by clients in hotels, motels and other residential type environments; bed and breakfast type environments.
- This appliance must not be operated by a timer or a separate remote control system.
- Liquids and other foods must not be heated in sealed containers since they are liable to explode.
- Microwave heating of beverages can result in delayed eruptive boiling; therefore care must be taken when handling the container.
- If you are preparing food or liquid for a baby stir or shake the contents and check the temperature before consumption in order to avoid burns.

WARNING! (continued)

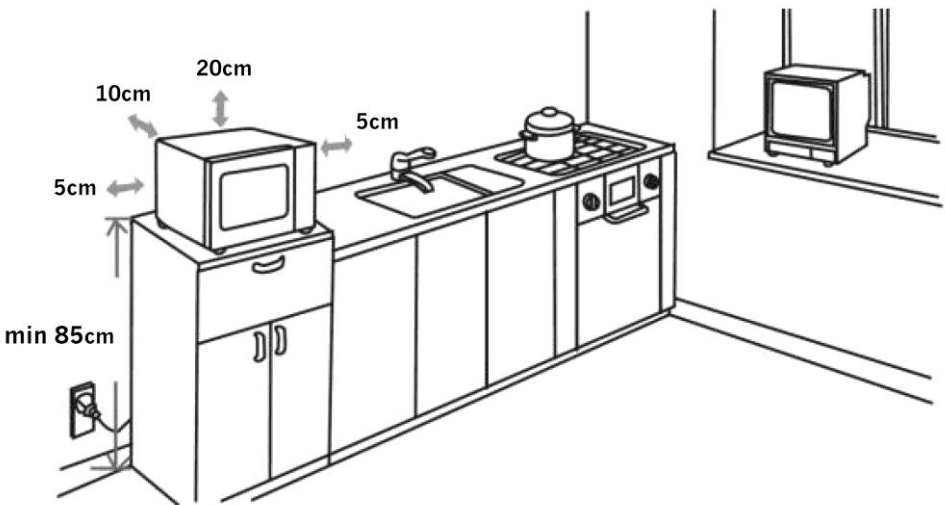
- Never cook or heat eggs in their shell or whole hard boiled eggs, as they may explode even after cooking in the microwave has been completed.
- The oven should be cleaned regularly and any food deposits removed – see page 20 for details. Failure to maintain the oven and seals in a clean condition could lead to deterioration of the surface or seals, adversely affect the life of the oven and possibly result in a hazardous situation.
- Never operate the oven when empty and avoid leaving unattended during use.
- Do not cover and allow adequate ventilation – see page 7 for clearance required.
-  The surfaces of the oven and the containers inside will become hot during and immediately after use; wear oven gloves when handling.
- Check regularly during cooking cycle especially when using plastic or paper containers to ensure food and containers do not ignite.
- If smoke is emitted, switch off or unplug the appliance and keep the door closed in order to stifle any flames.
- Do not use oven on, near or under flammable or heat sensitive items.
- Do not place foil wrapped food, metal containers or containers with metal parts or trim when using the microwave or combination oven.
- Do not use with a cracked or missing turntable or without the turntable ring.
- The microwave oven is intended for heating food and beverages. Drying of clothing and heating of warming buttons, slippers, sponges, damp cloth and similar may lead to risk of injury, ignition or fire.
- Always check for container and utensil suitability before using in the microwave oven - see page 21 for advice.

FOOD SAFETY

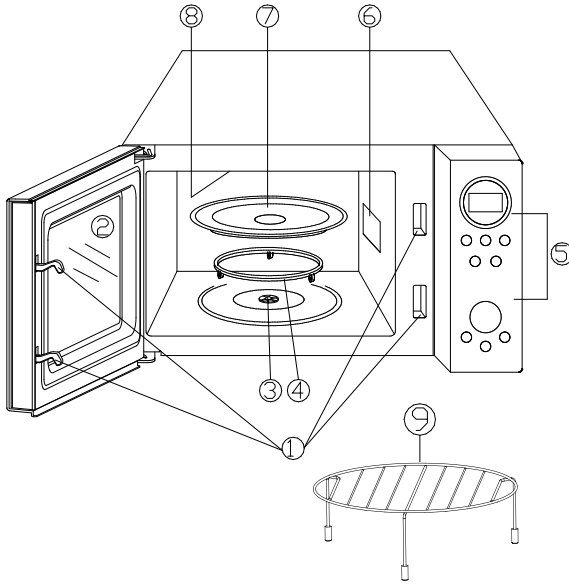
- Do not cook raw meat or raw shellfish in a microwave, due to the possibility for uneven heating.
- Do not use microwave for home canning or bottling. Improperly canned or bottled foods may spoil and be dangerous to eat.
- **Always check the temperature of food before serving.**
- Food cooking times will vary with microwave wattage (MAFF rating). When following recipes and on pack cooking instructions always check the MAFF rating / wattage of the appliance being used (marked on the front of the microwave) and follow the corresponding cooking advice.

Installation

- This microwave is designed to be free standing and is not intended to be used 'built in' or in a cabinet.
- Select a level surface away from televisions, cookers and other heat producing appliances.
- Ensure adequate ventilation and allow a clearance of
 - 5cm at each side of the oven
 - 20cm clearance above the oven
 - 10cm at the rear of the oven
 - The minimum installation height is 85cm
- Ensure that the cable is not close to any sharp or hot surfaces, or where it is likely to cause a trip hazard.



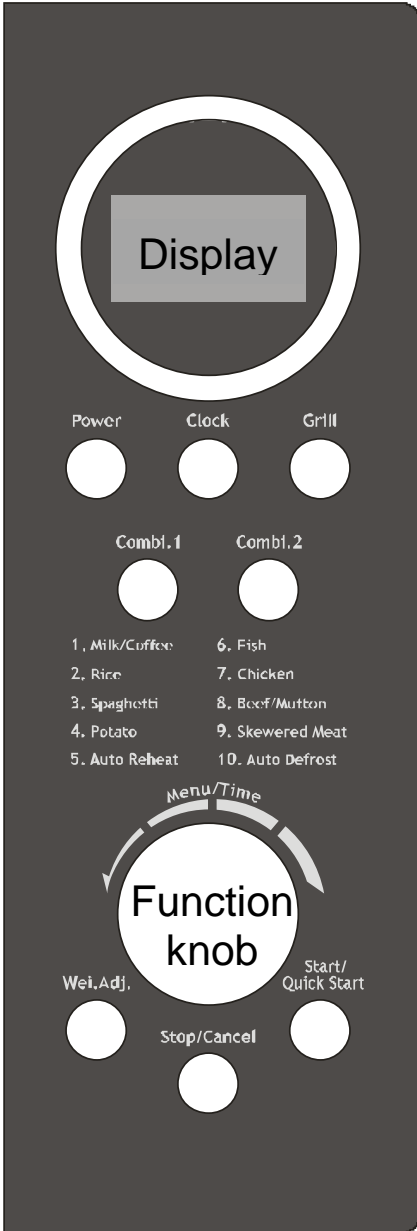
Parts and assembly



- | | |
|----------------------------|--------------------|
| 1. Interlocking catches | 6. Waveguide cover |
| 2. Door with viewing panel | 7. Glass turntable |
| 3. Turntable shaft | 8. Grill element |
| 4. Turntable roller | 9. Grill rack |
| 5. Control panel | |

- Ensure all packaging materials, protective film and adhesive tape are removed and check the oven and door for any damage. Do not remove the waveguide cover.
- Assemble as shown above and ensure that the glass turntable is correctly positioned on the shaft and roller.
- When using the microwave do not fit the grill rack.
- The grill rack may be used in grill and combination cooking modes as required.

Control panel



Display Symbol	Description
	Cooking (High power modes)
	Cooking (Low power modes)
	Control panel locked
	Defrost
	Clock
	Microwave
	Grill
COMB1	Combination mode 1
COMB2	Combination mode 2
	Data entry required
	Weight gram
	Percentage power
	Fan only operation

Time increments

Cooking time	Increments
0 – 5 min	10 sec
5 – 10 min	30 sec
10 – 30 min	1 min
30 – 60 min	5 min

Setting the clock

1. Fully unwind the cable, plug in and switch on. The microwave will emit a single bleep and the display will show 1:01.
2. Press the CLOCK button to select 12 hour time format. Press the button again to select the 24 hour format.
3. When the time format of choice is displayed, turn the FUNCTION knob until the correct hour is displayed.
4. Press the CLOCK button to save the setting and turn the FUNCTION knob until the correct minute is displayed.
5. Press the CLOCK button again to save the setting and exit the set up feature.

Notes:

- If the oven is unplugged or turned off at the mains the clock setting will be lost.
- To check the time during oven operation, press the CLOCK button and the time will display briefly before returning to the countdown timer.

Stop cooking / Cancel

- The oven can be stopped at any time by pressing the STOP/CANCEL button or by opening the door.
- If the oven door is OPEN, press the STOP/CANCEL button ONCE to clear all settings.
- If the oven door is CLOSED, press the STOP/CANCEL button TWICE to clear all settings.

Control panel lock

This function helps prevent accidental or unsupervised operation of the oven by young children. The lock function is activated automatically 1 minute after last user operation; the padlock symbol will be shown in the display and the control panel will now be inactive.

To deactivate the lock, simply open or close the door and the padlock icon will extinguish in the display.

Selecting microwave oven power

The default on the microwave oven is set to cook at full power unless otherwise changed. To select a lower power setting, press the POWER button repeatedly before setting the cooking time. The power selected will be shown in the display.

Display	Power (%)
100 %	100 (Full)
80%	80
60%	60

Display	Power (%)
40%	40
20%	20
00%	00 (for timer use)

Express microwave mode

This function allows the microwave to be set quickly at set increments.

1. Place the item to be cooked in a suitable **microwave safe container**. Open the door and position the container in the centre of the glass turntable. Securely close the microwave door.
2. Press the START/ QUICK START button to cook on full power for 30 seconds. Each successive press will increase the cooking time by 30 or 60 seconds which depending on the length of cooking time required.
3. The microwave will automatically start a few seconds after the last button press and the timer will start to count down.

Microwave cooking

1. Place the food to be cooked in a suitable **microwave safe** container and cover.
2. Pull open the door, place the container in the centre of the glass turntable and securely close the oven door.
3. Press the POWER button and turn the FUNCTION knob until the required cooking time is displayed (10 seconds to 60 minutes). Please note that the increments that the timer increases varies depending on the length of cooking time required (see 'Time increment' table) For example, when choosing a cooking time between 0 and 5 minutes the timer will increase in increments of 10 seconds.
4. Press the START / QUICK START button to select.
5. The microwave will start to cook and the timer will start to count down
6. Cooking can be interrupted to stir contents or check cooking progress by opening the door. Settings will be retained and cooking will restart when the door is closed and the START / QUICK START button is pressed.
7. After the cooking time has finished, the display will show 'End', the microwave will turn off automatically and three beeps will sound every two minutes until the oven door is opened or any STOP/CANCEL button is pressed.
8. Allow food to stand for 30 seconds to one minute before stirring or serving.
9. The oven can be stopped at any time by pressing the STOP/CANCEL button or by opening the door.

Defrosting

1. Weigh the item to be defrosted, place in a suitable **microwave safe** container and position in the centre of the glass turntable. Securely close the microwave door.
2. Turn the FUNCTION knob until 100g and the defrost symbol is shown in the display.
3. Continue to turn the FUNCTION knob until the weight (100 - 1800g) of the item to be defrosted is shown.
4. Press the START / QUICK START button, the defrost time will be calculated automatically and the microwave will start to defrost and the timer will count down.
5. Two thirds through the defrost program a two bleeps will be heard, defrosting will pause and food should be rearranged or turned over. Settings will be retained and defrosting will restart when the door is closed and the START / QUICK START button is pressed.
6. After the defrosting time has finished, the display will show 'End', the microwave will turn off automatically and three bleeps will sound every two minutes until the oven door is opened or the STOP/CANCEL button is pressed.

Grill cooking

1. Place the food to be cooked in a suitable **grill safe** container. Pull open the door and place the container in the centre of the glass turntable or alternatively place the food directly on the grill rack with a **grill safe** collecting tray beneath.
2. Securely close the oven door.
3. Press the GRILL button and turn the FUNCTION knob until the required cooking time is displayed (10 seconds to 60 minutes). Please note that the increments that the timer increases varies depending on the length of cooking time required (see 'Time increment' table) For example, when choosing a cooking time between 1 and 5 minutes the timer will increase in increments of 10 seconds.
4. Press the START / QUICK START button to select.
5. The grill will start to cook and the timer will start to count down.
6. Grilling can be interrupted to turn the food over or to check on progress by opening the door. Close the door and press START/ QUICK START button to resume grilling.
7. After the grilling time has finished, the display will show 'End', the grill will turn off automatically and three bleeps will sound every two minutes until the oven door is opened or STOP/CANCEL button is pressed.
8. The oven can be stopped at any time by pressing the STOP/CANCEL button or by opening the door.

Combination cooking

This function combines both cooking methods and two preset programmes are available. Approximate cooking times for each programs are as follows.

- Combi. 1 – 30% of cooking time is by microwave and 70% by grill
 - Combi. 2 – 55% of cooking time is by microwave and 45% by grill
1. Place the food to be cooked in a suitable **microwave and grill safe container**. Pull open the door and place the container in the centre of the oven or alternatively place the food directly on the grill rack with a **microwave and grill safe** collecting tray beneath.
 2. Press the COMBI button of choice (see above) and turn the FUNCTION knob until the required cooking time is displayed (10 seconds to 60 mins). Please note that the increments that the timer increases varies depending on the length of cooking time required (see 'Time increment' table) For example, when choosing a cooking time between 1 and 5 minutes the timer will increase in increments of 10 seconds.
 3. Press the START / QUICK START button to select.
 4. The oven will start to cook and the timer will start to count down.
 5. After the cooking time has finished, the display will show 'End', the oven will turn off automatically and three bleeps will sound every two minutes until the oven door is opened or STOP/CANCEL button is pressed.
 6. Cooking can be interrupted to turn the food over or to check on progress by opening the door. Close the door and press START/ QUICK START button to resume cooking.
 7. The oven can be stopped at any time by pressing the STOP/CANCEL button or by opening the door.

Auto cook function

The oven has a pre-programmed cooking menu that can be used immediately from start up just by turning the FUNCTION knob clockwise.

1. **After checking the cooking method used in the table following**, place the item to be cooked in a suitable container.
2. Open the door and place the container in the centre of the glass turntable and securely close the oven door.
3. Turn the FUNCTION knob and select the required auto cooking programme of choice (see table below).
4. Press the WEI.ADJ. button repeatedly until the corresponding food weight / quantity is displayed and press the START / QUICK START button.
5. The oven will start to cook and the timer will start to count down from the preset time.
6. Cooking can be interrupted to stir contents or check cooking progress by opening the door. Settings will be retained and cooking will restart when the door is closed and the START / QUICK START button is pressed.
7. After the cooking time has finished, four bleeps will sound.
8. Allow food to stand for 30 seconds to one minute before stirring or serving.
9. The oven can be stopped at any time by pressing the STOP/CANCEL button or by opening the door. Pressing the STOP/CANCEL button once (with the door closed) will stop the cooking, pressing the button twice will clear the settings.

Note:

- Auto cook programs 7, 8 & 9 pause part way through cooking as a reminder to turn food over. Open the door, turn the food over and press the START / QUICK START button to continue cooking.

Display	Food	Weight / quantity	Instructions
1	Milk / coffee	1 (200ml) 2 (400ml) 3 (600ml)	Heating liquid from 5-10°C. Use wide neck cup / mug and do not cover.
2	Rice	150g 300g 450g 600g	Place rice in a bowl with five times the quantity (unless another quantity specified by food packaging) of boiling water and cover.
3	Spaghetti	100g 200g 300g	Place pasta in a bowl with eight times the quantity of water and cover. If using pasta with longer cooking times (e.g. fusilli) additional cooking may be required.
4	Potato	1 (230g) 2 (460g) 3 (690g)	For best result, use potatoes at room temperature and once the potatoes are cooked, wrap them in tin foil for at least 5 minutes to cook through. Larger or cold potatoes may need additional cooking.
5	Auto Reheat	200g 300g 400g 500g 600g 700g 800g	Place food in a bowl and cover. Check that food is heated throughout before serving.
6	Fish	200g 300g 400g 500g 600g	Place food in a bowl and cover. Check that fish is cooked through before consuming.

7	Chicken	800g 1000g 1200g 1400g	<p>Cooks by combination mode Turn chicken over two thirds of the way through the cooking cycle when the bleep is heard. The cooking times are guidelines only – check that chicken is cooked through before consuming.</p>
8	Beef/ Mutton	200g 300g 400g 500g 600g	<p>Cooks by combination mode For even cooking, cut meat into small equally sized pieces and place onto a microwave safe plate. Turn meat over two thirds of the way through the cooking cycle when the bleep is heard. The cooking times are guidelines only – check that meat is cooked through before consuming.</p>
9	Skewered meat	100g 200g 300g 400g 500g	<p>Cooks by combination mode For even cooking, cut meat into small equally sized pieces and place on a non-metallic skewer and a microwave and grill safe plate. Turn meat over two thirds of the way through the cooking cycle when the bleep is heard. The cooking times are guidelines only – check that meat is cooked through before consuming.</p>

Cleaning

Clean the oven and seals to remove food debris on a weekly basis and more often if required. Failure to maintain the oven and seals in a clean condition could lead to deterioration of the surface or seals, adversely affect the life of the oven and possibly result in a hazardous situation (possible release of microwave energy).

Clean the oven after each use, if food is cooked uncovered and especially if fatty foods are cooked and the grill function is used.

1. Switch off, unplug the oven and allow the oven to cool completely.
2. Wipe surfaces and seals with a soft damp cloth (not wet). Do not use abrasive cleaning products or metal scrapers to clean the glass door of the oven as this could damage the surface and cause breakage. Do not immerse in water. Do not use a steam cleaner.
3. The grill rack, glass turntable and turntable roller can be washed in hot water with a little washing up liquid. **NOT SUITABLE FOR DISHWASHERS.**
4. Always allow surfaces to fully dry before using the oven again.

Materials suitable for use in the oven

5

Material	Suitability for use in		
	Microwave	Grill	Combination
Glassware	Heat resistant only	Heat resistant only	Heat resistant only
Ceramic ware	Heat resistant only	Heat resistant only	Heat resistant only
Plastic containers Not melamine	Microwave safe only Avoid using with food with high fat or sugar contents	No	No
Plastic film	Microwave safe only	No	No
Kitchen paper	Only for reheating do not leave unattended	No	No
Metal tray or rack	No	Yes	Yes
Aluminium foil & foil containers	No	No	No
Browning dishes	Place upturned plate on the glass turntable (to prevent heat stress) before using	No	No

DO NOT use metallic containers for food and beverages, aluminium foil, or any other metal trimmed packaging when operating in microwave or combination modes. The metal rack is suitable for use in grill and combination modes.

General microwave cooking advice

- Food cooking times will vary with microwave wattage (MAFF rating). When following recipes and on pack cooking instructions always check the MAFF rating / wattage of the appliance being used (marked on the front of the microwave) and follow the corresponding cooking advice.
- Beverages can result in delayed eruptive boiling; therefore care must be taken when handling the container.
- Remove lids from containers before placing in the microwave, pierce plastic films and do not use vessels with sealed or restricted openings since they are liable to explode.
- Pierce the skin or membranes of food (e.g. potatoes, apples, fish, chicken, eggs) in several places before cooking. Never cook or heat eggs in their shell or whole hard boiled eggs, as they may explode even after cooking has been completed.
- Ensure food is similar size and density. Large dense items take longer to cook than small ones e.g. potatoes take longer to cook than peas.
- Food quantity will affect the cooking time, e.g. two potatoes take longer than one.
- The shape of food will affect the cooking time; place the thickest part of food on the outside of the plate.
- Leave food to stand for a short period after cooking or defrosting to allow the temperature to become uniform.

Troubleshooting

Observation	Potential cause / solution
Oven will not start	Plug not fully inserted into the mains socket or not switched on
	Door is open
	Incorrect operation
	Do you have a power cut?
Arcing or sparking	Unsuitable materials used when using microwave function.
	Oven is operated when empty
	Spilled food remains in oven cavity
Unevenly cooked food	Unsuitable materials used when using microwave.
	Food not fully defrosted before cooking
	Power setting for cooking time is incorrect
	Food was not turned or stirred during cooking
	Uneven sized food
Overcooked food	Power setting for cooking time is incorrect
	Cooking period set too long
Undercooked food	Food not fully defrosted before cooking
	Unsuitable materials used when using microwave
	Ventilation ports restricted
	Power setting for cooking time is incorrect
Incomplete defrosting	Unsuitable materials used when defrosting
	Defrost time too short
	Food was not turned or stirred during defrosting
	Uneven sized food
Noisy turntable	Food residue between turntable roller and base of cavity
	Glass turntable not correctly positioned on roller
Oven light does not illuminate	Bulb has burnt out
	Start button not been pressed

Technical specification

Morphy Richards 23 Litre 900W Microwave With Grill		
Model		D90D23EL-B8(E17)
Rated Voltage & Frequency		230 - 240V AC 50Hz
Rated Power Output		900W
Rated Power Input	Microwave	1400W
	Grill	1000W
MAFF rating		E
Rated Microwave Frequency		2450MHz
Capacity	Overall	23 litre
	Useable	16 litre
Class rating		1 (earthed)
BS 1362 fuse		13A
Diameter of glass turntable		270mm
Product dimensions (external)		281 x 483 x 395 mm
Product weight (net)		14.1 kg approx.

This appliance complies with European regulation no. 1935/2004 of 27/10/2004 on food contact materials. The product is classified as a Group 2, Class B, ISM appliance. Group 2 includes all ISM (Industrial, Scientific or Medical) appliances in which radio frequencies are generated intentionally and/or used in the form of electromagnetic radiation to treat materials, together with electroerosion equipment. Class B includes equipment for domestic use or on premises directly connected to low voltage electricity supply for supplying buildings for residential use.



Recycling electrical products

You should now recycle your waste electrical goods and in doing so help the environment.

This symbol means an electrical product should not be disposed of with normal household waste. Please ensure it is taken to a suitable facility for disposal when finished with.

Visit www.recycle-more.co.uk, click on “bank locator” and enter your postcode to find your nearest recycling site.



Plug rewiring advice

The wires in this mains lead are coloured in accordance with the following UK electrical code:

BLUE = NEUTRAL

BROWN = LIVE

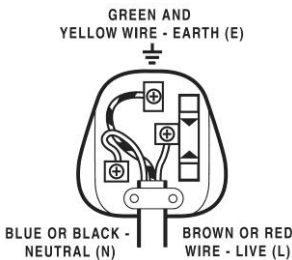
GREEN + YELLOW = EARTH

Non-rewireable plug

This appliance may be fitted with a “non-rewireable” plug. If you need to change the fuse in a “non-rewireable” plug, the fuse cover must be refitted. If the fuse cover is lost or damaged, the appliance must not be used.

Rewireable plug

The colours of the wires in the mains lead of this appliance may not correspond with the coloured markings identifying the terminals in a rewireable plug. **Rewireable plugs should only be replaced by a suitably competent person. If in doubt, consult a qualified electrician.**



The BLUE wire must be connected to the terminal marked with the letter N

The BROWN wire must be connected to the terminal marked with the letter L

The GREEN & YELLOW wire must be connecting to the terminal marked with the letter E or the earth symbol (⊕).

www.morphyrichards.com

Imported by Argos Ltd, MK9 2NW

If you require assistance, please call the Sainsbury's Argos helpline on 0345 604 0105

Your statutory rights are not affected.

Made in China. All brand names are registered trademarks of their respective owners.



PRODUCT GUARANTEE

This product is guaranteed against manufacturing defects for a period of



Year

This product is guaranteed for twelve months from the date of original purchase.

Any defect that arises due to faulty materials or workmanship will either be replaced, refunded or repaired free of charge where possible during this period by the dealer from whom you purchased the unit.

The guarantee is subject to the following provisions:

- The guarantee does not cover accidental damage, misuse, cabinet parts, knobs or consumable items.
- The product must be correctly installed and operated in accordance with the instructions contained in this manual. A replacement copy of this instruction manual can be obtained from www.argos-support.co.uk
- It must be used solely for domestic purpose.
- The guarantee will be rendered invalid if the product is re-sold or has been damaged by inexpert repair.
- Specifications are subject to change without notice.
- The manufacturer disclaims any liability for the incidental or consequential damages.
- The guarantee is in addition to, and does not diminish your statutory or legal rights.

Guarantor: Argos Ltd
489 - 499 Avebury Boulevard
Central Milton Keynes
MK9 2NW
www.argos-support.co.uk