



BOSCH

Register your
new device on
MyBosch now and
get free benefits:
[bosch-home.com/
welcome](https://bosch-home.com/welcome)



Fridge-freezer

KGN..

en	Instructions for use	Fridge-freezer	5
tr	Kullanma kılavuzu	Soğutma ve dondurma kombinasyonu	23
ru	Инструкция по эксплуатации	Холодильник-морозильник	42
sl	Navodila za uporabo	Hladilno-zamrzovalni aparat	64
cs	Návod k obsluze	Kombinace chladničky s mrazničkou	81

en Table of contents

Safety and warning information	5	Max. freezing capacity	14
Information concerning disposal	8	Freezing and storing food	15
Scope of delivery	8	Freezing fresh food	15
Installation location	9	Super freezing	16
Observe ambient temperature and ventilation	9	Thawing frozen food	17
Connecting the appliance	10	Interior fittings	17
Getting to know your appliance	10	Sticker "OK"	18
Switching on the appliance	11	Switching off and disconnecting the appliance	18
Setting the temperature	12	Cleaning the appliance	18
eco	12	Light (LED)	19
Alarm functions	12	Tips for saving energy	19
Usable capacity	13	Operating noises	20
Refrigerator compartment	13	Eliminating minor faults yourself	20
Freezer compartment	14	Customer service	22

tr İçindekiler

Güvenlik ve ikaz bilgileri	23	Besinlerin dondurulması ve depolanması	33
Giderme bilgileri	26	Taze besinlerin dondurulması	34
Teslimat kapsamı	27	Süper dondurma	35
Cihazın kurulacağı yer	28	Dondurulmuş besinlerin buzunun çözülmesi	35
Mekan sıcaklığına ve havalandırmaya dikkat edilmelidir	28	Dolap	36
Cihazın elektrik şebekesine bağlanması	28	Çıkartma "OK"	36
Cihaz özelliklerinin öğrenilmesi	29	Cihazın kapatılması, cihazın tamamen kapatılması	36
Cihazın açılması	30	Cihazın temizlenmesi	37
Sıcaklık derecesinin ayarlanması	30	Aydınlatma (LED)	38
Eco	31	Enerji tasarrufu	38
Alarm fonksiyonları	31	Çalışma sesleri	38
Kullanılabilen hacim	32	Basit hataları kendiniz giderebilirsiniz	39
Soğutucu bölmesi	32	Müşteri Hizmetleri	41
Dondurucu bölmesi	33		
Azami dondurma kapasitesi	33		

ru Содержание

Указания по безопасности и предупреждения	42	замораживания	54
Указания по утилизации	46	Замораживание и хранение продуктов	54
Объем поставки	47	Замораживание свежих продуктов питания	55
Место установки	47	Суперзамораживание	56
Температура окружающей среды и вентиляция	48	Размораживание продуктов	56
Подключение бытового прибора	48	Специальное оснащение	57
Знакомство с бытовым прибором	49	Наклейка «OK»	57
Включение прибора	50	Выключение прибора и вывод его из эксплуатации	58
Установка температуры	51	Чистка прибора	58
eco	51	Освещение (на светодиодах)	59
Функции сигнализации	51	Как сэкономить электроэнергию	59
Полезный объем	52	Рабочие шумы	59
Холодильное отделение	52	Самостоятельное устранение мелких неисправностей	60
Морозильное отделение	53	Сервисная служба	63
Макс. производительность			

sl Kazalo vsebine

Varnostna navodila in opozorila	64	Zamrzovanje in shranjevanje	73
Navodila za odlaganje dotrajanega aparata	66	Zamrzovanje svežih živil	73
Obseg dobave	67	Super zamrzovanje	74
Mesto postavitve	67	Odmrznite zamrznjeno živilo	75
Bodite pozorni na temperaturo prostora in prezračevanje	68	Oprema	75
Priklop aparata	68	Nalepka "OK"	76
Spoznajte vaš aparat	69	Izklop aparata in izločitev iz uporabe	76
Vklop aparata	70	Čiščenje aparata	76
Nastavitev temperature	70	Osvetlitev (LED)	77
eco	70	Prihranek energije	77
Funkcije alarma	71	Šumi, ki se lahko pojavijo med obratovanjem	77
Koristna prostornina	71	Samostojno odpravljanje manjših motenj.	78
Hladilni prostor	72	Servisna služba	80
Zamrzovalni prostor	72		
Največja kapaciteta zamrzovanja	73		

cs Obsah

Bezpečnostní a výstražné pokyny	81	Zmrazování a uložení	90
Pokyny k likvidaci	83	Zmrazování čerstvých potravin	90
Rozsah dodávky	84	Superzmrazování	91
Místo instalace	84	Rozmrazení zmrazených potravin	92
Dbejte na teplotu místnosti a větrání	85	Vybavení	92
Připojení spotřebiče	85	Indikační nálepka “OK”	93
Seznámení se se spotřebičem	86	Vypnutí a odstavení spotřebiče	93
Zapnutí spotřebiče	86	Čištění spotřebiče	93
Nastavení teploty	87	Osvětlení (diody LED)	94
eco	87	Šetření energie	94
Alarmové funkce	88	Provozní hluky	94
Užitný objem	88	Odstranění malých poruch vlastními silami	95
Chladicí prostor	88	Zákaznický servis	97
Mrazicí prostor	89		
Max. mrazicí kapacita	90		

Safety and warning information

Before you switch ON the appliance

Please read the operating and installation instructions carefully! They contain important information on how to install, use and maintain the appliance. The manufacturer is not liable if you fail to comply with the instructions and warnings. Retain all documents for subsequent use or for the next owner.

Technical safety



Fire hazard

The tubes of the refrigeration circuit convey a small quantity of an environmentally friendly but flammable refrigerant (R600a). It does not damage the ozone layer and does not increase the greenhouse effect. If refrigerant escapes, it may injure your eyes or ignite.

If damage has occurred

- Keep naked flames and/or ignition sources away from the appliance,
- thoroughly ventilate the room for several minutes,

- switch off the appliance and pull out the mains plug,
- inform customer service.

The more refrigerant an appliance contains, the larger the room must be in which the appliance is situated. Leaking refrigerant can form a flammable gas-air mixture in rooms which are too small. The room must be at least 1 m³ per 8 g of refrigerant. The amount of refrigerant in your appliance is indicated on the rating plate inside the appliance.

When installing the appliance, ensure that the mains cable is not trapped or damaged.

If the power cord of this appliance is damaged, it must be replaced by the manufacturer, Customer Service or a similarly qualified person. Improper installations and repairs may put the user at considerable risk.

Repairs may be performed by the manufacturer, customer service or a similarly qualified person only.

Only original parts supplied by the manufacturer may be used. The manufacturer guarantees that only these parts satisfy the safety requirements.

Do not use multiple sockets, extension leads or adapters.



Fire hazard

Portable multiple outlets or power supplies may overheat, causing a fire.

Never leave portable multiple outlets or portable power supplies behind the appliance.

Important information when using the appliance

- Never use electrical appliances inside the appliance (e.g. heaters, electric ice makers, etc.). Risk of explosion!
- Never defrost or clean the appliance with a steam cleaner! The steam may penetrate electrical parts and cause a short-circuit. Risk of electric shock!
- Do not use additional means to accelerate the defrosting process other than those recommended by the manufacturer. Risk of explosion!
- Do not use pointed or sharp-edged implements to remove frost or layers of ice. You might damage the refrigerant tubes. Leaking refrigerant may cause eye injuries or ignite.
- Do not store products which contain flammable propellant (e.g. spray cans) or explosive substances in the appliance. Risk of explosion!
- Do not stand on or lean heavily against the base of the appliance, drawers, doors, etc.
- For defrosting and cleaning, pull out the mains plug or switch off the fuse. Do not pull out the mains plug by tugging on the power cord.
- Store high-percentage alcohol tightly sealed and in an upright position.
- Keep plastic parts and the door seal free of oil and grease. Otherwise, plastic parts and the door seal will become porous.
- Never cover or block the ventilation openings of the appliance.
- Do not store bottled or canned liquids (especially carbonated drinks) in the freezer compartment. Bottles and cans may burst!
- Never put frozen food straight from the freezer compartment in your mouth. Risk of low-temperature burns!

■ **Avoiding placing children and vulnerable people at risk:**

At risk here are children, people who have limited physical, mental or sensory abilities, as well as people who have inadequate knowledge concerning safe operation of the appliance.

Check that children and vulnerable people have understood the hazards.

A person responsible for safety must supervise or instruct children and vulnerable people who are using the appliance.

Only children aged 8 years and above may use the appliance.

Supervise children while the appliance is being cleaned or maintained.

Never allow children to play with the appliance.

- Avoid prolonged touching of frozen food, ice or the evaporator pipes, etc.
Risk of low-temperature burns!

Children in the household

- Keep children away from packaging and its parts.
Danger of suffocation from folding cartons and plastic film!
- Do not allow children to play with the appliance!
- If the appliance features a lock:
keep the key out of the reach of children!

General regulations

The appliance is suitable

- for refrigerating and freezing food,
- for making ice.

This appliance is intended for use in the home and the home environment.

The refrigeration circuit has been checked for leaks.

This appliance complies with the relevant safety regulations for electrical appliances and is fitted with noise suppression.

This appliance is intended for use up to a maximum height of 2000 metres above sea level.

Information concerning disposal

Disposal of packaging

The packaging protects your appliance from damage during transit. All utilised materials are environmentally safe and recyclable. Please help us by disposing of the packaging in an environmentally friendly manner.

Please ask your dealer or inquire at your local authority about current means of disposal.

Disposal of your old appliance

Old appliances are not worthless rubbish! Valuable raw materials can be reclaimed by recycling old appliances.



This appliance is labelled in accordance with European Directive 2012/19/EU concerning used electrical and electronic appliances (waste electrical and electronic equipment - WEEE). The guideline determines the framework for the return and recycling of used appliances as applicable throughout the EU.

Warning

Redundant appliances

1. Pull out the mains plug.
2. Cut off the power cord and discard with the mains plug.
3. Do not take out the trays and receptacles: children are therefore prevented from climbing in!
4. Do not allow children to play with the appliance once it has spent its useful life. Danger of suffocation!

Refrigerators contain refrigerant and gases in the insulation. Refrigerant and gases must be disposed of professionally. Ensure that tubing of the refrigerant circuit is not damaged prior to proper disposal.

Scope of delivery

After unpacking all parts, check for any damage in transit.

If you have any complaints, please contact the dealer from whom you purchased the appliance or our customer service.

The delivery consists of the following parts:

- Free-standing appliance
- Interior fittings (depending on model)
- Bag containing installation materials
- Operating instructions
- Installation manual
- Customer service booklet
- Warranty enclosure
- Information on the energy consumption and noises

Installation location

A dry, well ventilated room is suitable as an installation location. The installation location should not be exposed to direct sunlight and not placed near a heat source, e.g. a cooker, radiator, etc. If installation next to a heat source is unavoidable, use a suitable insulating plate or observe the following minimum distances from the heat source:

- 3 cm to electric or gas cookers.
- 30 cm to an oil or coal-fired cooker.

The floor of the installation location must not give way; if required, reinforce floor. If the floor is uneven, compensate with supports.

Distance from wall

Fig. **3**

A gap is not required between the appliance and side wall. The containers and shelves are still fully extendable.

Observe ambient temperature and ventilation

Ambient temperature

The appliance is designed for a specific climate class. Depending on the climate class, the appliance can be operated at the following temperatures.

The climate class can be found on the rating plate. Fig. **11**

Climate class	Permitted ambient temperature
SN	+10 °C to 32 °C
N	+16 °C to 32 °C
ST	+16 °C to 38 °C
T	+16 °C to 43 °C

Note

The appliance is fully functional within the room temperature limits of the indicated climatic class. If an appliance of climatic class SN is operated at colder room temperatures, the appliance will not be damaged up to a temperature of +5 °C.

Ventilation

Fig. **4**

The air on the rear panel and on the side panels of the appliance heats up. Conduction of the heated air must not be obstructed. Otherwise, the refrigerating unit must work harder. This increases power consumption. Therefore: Never cover or block the ventilation openings!

Connecting the appliance

After installing the appliance, wait at least 1 hour until the appliance is switched on. During transportation the oil in the compressor may have flowed into the refrigeration system.

Before switching on the appliance for the first time, clean the interior of the appliance (see chapter "Cleaning the appliance").

Electrical connection

The socket must be near the appliance and also freely accessible following installation of the appliance.

Warning

Risk of electric shock!

If the length of the mains cable is inadequate, never use multiple sockets or extension leads. Instead, please contact Customer Service for alternatives.

The appliance complies with protection class I. Connect the appliance to 220–240 V/50 Hz alternating current via a correctly installed socket with protective conductor. The socket must be protected by a 10 A to 16 A fuse.

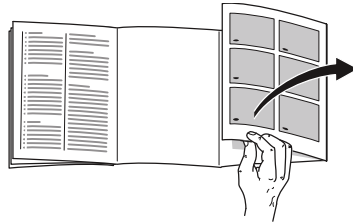
For appliances operated in non-European countries, check whether the indicated voltage and current type match the values of your electricity supply. This information can be found on the rating plate, Fig. **11**.

Warning

Never connect the appliance to electronic energy saver plugs.

Our appliances can be used with mains and sine-controlled inverters. Mains-controlled inverters are used for photovoltaic systems which are connected directly to the national grid. Sine-controlled inverters must be used for isolated applications (e.g. on ships or in mountain lodges) which are not connected directly to the national grid.

Getting to know your appliance



Please fold out the illustrated last page. These operating instructions refer to several models.

The features of the models may vary.

The diagrams may differ.

Fig. 1

* Not all models.

- A Refrigerator compartment
- B Freezer compartment

- 1–4 Controls
- 5 Shelf for small bottles
- 6 Shelf for large bottles
- 7 Light
- 8 Temperature controller
- 9 Vegetable container
- 10* Freezer tray
- 11 Frozen food container (small)

Controls

Fig. 2

- 1 **Temperature selection button**
The required temperature is set with this button.
- 2 **“super” display (freezer compartment)**
Illuminates when super freezing is on.
- 3 **Temperature display freezer compartment**
The numbers correspond to the set freezer compartment temperatures in °C.
- 4 **Eco mode indicator**
This lights up when the eco mode is switched on.

Switching on the appliance

Fig. 2

1. Insert the plug in the socket.
2. A warning signal sounds. The temperature display 3 flashes.
3. Press the temperature setting button 1. The warning signal switches off.

When the freezer compartment has reached the set temperature, the temperature display 3 is lit.

The factory recommends the following settings:

- Refrigerator compartment: medium setting

- Freezer compartment: -18°C

Store delicate foods in the refrigerator compartment.

Operating tips

- When the appliance has been switched on, it may take several hours until the set temperatures have been reached.
- The fully automatic NoFrost system ensures that the freezer compartment remains free of ice. Defrosting is no longer required.
- The sides of the housing are sometimes heated slightly. This prevents condensation in the area of the door seal.
- If the freezer compartment door cannot be immediately re-opened after it has been closed, wait until the resulting low pressure has equalised.

Setting the temperature

Refrigerator compartment

Turn temperature controller, Fig. **1**/8, to the required setting.

We recommend the setting in line with the marking.

Changing the setting clockwise will lower temperatures in the refrigerator compartment.

At a room temperature below 16°C, slightly increase the temperature setting in the appliance. At a room temperature above 32°C, slightly reduce the temperature setting in the appliance.

Select a very cold setting only temporarily if:

- door is opened frequently,
- large quantities of food are placed in the refrigerator compartment.

Freezer compartment

The temperature can be set from -18°C to -24°C.

Keep pressing temperature setting button 1 until the required freezer compartment temperature is set.

The last set value is saved. The set temperature is indicated on temperature display 3.

eco

The “eco” function switches the appliance to energy-saving mode.

The appliance automatically sets the following temperatures:

- Freezer compartment: -16°C

Switching on eco

Keep pressing the temperature setting button 1 until the eco indicator is highlighted.

Alarm functions

Fig. **2**

Door alarm

The door alarm (continuous sound) switches on if the appliance door is open for longer than one minute. Close the door to switch off the warning signal.

Temperature alarm

The temperature alarm switches on if the freezer compartment is too warm and the frozen food is at risk of thawing.

Temperature display, Fig. **2**/3, is flashing.

The alarm may switch on without any risk to the frozen food:

- when the appliance is switched on,
- when large quantities of fresh food are placed in the appliance,
- if the freezer compartment door is open too long.

Note

Do not refreeze thawing or thawed food. Only ready meals (boiled or fried) may be refrozen.

No longer store the frozen produce for the max. storage period.

Switching off the alarm

Fig. 2

Press the temperature setting button 1 to switch off the warning signal.

Usable capacity

Information on the usable capacity can be found inside your appliance on the rating plate. Fig. iii

Fully utilising the freezer volume

To place the maximum amount of frozen food in the freezer compartment, you can remove the containers. You can then stack the food directly on the shelf and on the floor of the freezer compartment.

Note

Avoid contact between food and rear panel. Otherwise the air circulation will be impaired.

Food or packaging could freeze to the rear panel.

Removing the fittings

Pull out the frozen food container all the way, lift at the front and remove.

Fig. 7

Refrigerator compartment

The refrigerator compartment is the ideal storage location for meat, sausage, fish, dairy products, eggs, ready meals and pastries.

Storing food

- Store fresh, undamaged food. The quality and freshness will then be retained for longer.
- In the case of ready-made products and bottled goods, observe the best-before date or use-by date specified by the manufacturer.
- To retain aroma, colour and freshness, pack or cover food well before placing in the appliance. This will prevent the transfer of flavours and the discolouration of plastic parts in the refrigerator compartment.
- Allow warm food and drinks to cool down before placing in the appliance.

Note

Do not block air outlet openings with food, otherwise the air circulation will be impaired. Food which is stored directly in front of the air outlet openings may be frozen by the cold air flowing out.

Note the chill zones in the refrigerator compartment

The air circulation in the refrigerator compartment creates different chill zones:

- Coldest zone is in the upper area of the refrigerator compartment.

Note

Store perishable food (e.g. fish, sausage, meat) in the coldest zone.

- Warmest zone is at the very bottom of the door and in the vegetable container.

Note

Store e.g. hard cheese and butter in the warmest zone. Cheese can then continue to release its flavour and the butter will still be easy to spread.

Vegetable container

Fig. **i**/9

A high air humidity keeps leafy vegetables fresh for longer. Vegetables and fruit should be stored at a slightly lower air humidity.

The air humidity in the vegetable drawer depends on the amount of stored food.

Note

If the air humidity is too high, drips may form and cause decay.

Freezer compartment

Use the freezer compartment

- To store deep-frozen food.
- To make ice cubes.
- To freeze food.

Note

Ensure that the freezer compartment door has been closed properly. If the door is open, the frozen food will thaw. The freezer compartment will become covered in thick ice. Also: waste of energy due to high power consumption!

Max. freezing capacity

Information about the max. freezing capacity within 24 hours can be found on the rating plate. Fig. **iii**

Prerequisites for max. freezing capacity

- Switch on super freezing before placing fresh products in the compartment (see chapter entitled “Super freezing”).
- Remove containers; stack food directly on the shelf and on the floor of the freezer compartment.
- Freeze large quantities of food preferably in the very top compartment where food freezes particularly quickly and therefore also gently.

Freezing and storing food

Purchasing frozen food

- Packaging must not be damaged.
- Use by the “use by” date.
- Temperature in the supermarket freezer must be -18 °C or lower.
- If possible, transport deep-frozen food in an insulated bag and place quickly in the freezer compartment.

Note when loading products

- Preferably freeze large quantities of food in the top compartment, where food freezes particularly quickly and therefore also gently.
- Place the food over the whole area of the compartments or the frozen food containers.

Note

Food which is already frozen must not come into contact with the food which is to be frozen. If required, move the frozen food to other frozen food containers.

Storing frozen food

Insert frozen food container all the way to ensure unrestricted air circulation.

Freezing fresh food

Freeze fresh and undamaged food only.

To retain the best possible nutritional value, flavour and colour, vegetables should be blanched before freezing. Aubergines, peppers, zucchini and asparagus do not require blanching.

Literature on freezing and blanching can be found in bookshops.

Note

Keep food which is to be frozen away from food which is already frozen.

- The following foods are suitable for freezing:
 - Cakes and pastries, fish and seafood, meat, game, poultry, vegetables, fruit, herbs, eggs without shells, dairy products such as cheese, butter and quark, ready meals and leftovers such as soups, stews, cooked meat and fish, potato dishes, soufflés and desserts.
- The following foods are not suitable for freezing:
 - Types of vegetables, which are usually consumed raw, such as lettuce or radishes, eggs in shells, grapes, whole apples, pears and peaches, hard-boiled eggs, yoghurt, soured milk, sour cream, crème fraîche and mayonnaise.

Packing frozen food

To prevent food from losing its flavour or drying out, place in airtight containers.

1. Place food in packaging.
2. Remove air.
3. Seal the wrapping.
4. Label packaging with contents and date of freezing.

Suitable packaging:

Cling wrap, tubular film made of polyethylene, aluminium foil, freezer containers.

These products are available from specialist outlets.

Unsuitable packaging:

Wrapping paper, greaseproof paper, cellophane, bin liners and used shopping bags.

Items suitable for sealing packaged food:

Rubber bands, plastic clips, string, cold-resistant adhesive tape, etc.

Bags and tubular film made of polyethylene (PE) can be sealed with a film heat sealer.

Shelf life of frozen food

Storage duration depends on the type of food.

At a temperature of -18 °C:

- Fish, sausage, ready meals and cakes and pastries:
up to 6 months
- Cheese, poultry and meat:
up to 8 months
- Vegetables and fruit:
up to 12 months

Super freezing

Food should be frozen solid as quickly as possible in order to retain vitamins, nutritional value, appearance and flavour.

Several hours before placing fresh food in the freezer compartment, switch on super freezing to prevent an unwanted temperature rise.

As a rule, 4–6 hours is adequate.

This appliance runs constantly and the freezer compartment drops to a very low temperature.

If the max. freezing capacity is to be used, super freezing must be switched on for 24 hours before the fresh produce is placed in the freezer compartment.

Smaller quantities of food (up to 2 kg) can be frozen without “super freezing”.

Note

When super freezing is switched on, increased operating noises may occur.

Switching on and off

Fig. **2**

Keep pressing the temperature selection button 1 until the Super display 2 is lit.

Super freezing automatically switches off after approx. 2½ days.

Thawing frozen food

Depending on the type and application, select one of the following options:

- at room temperature
- in the refrigerator
- in an electric oven, with/without fan assisted hot-air
- in the microwave

Caution

Do not refreeze thawing or thawed food. Only ready meals (boiled or fried) may be refrozen.

No longer store the frozen produce for the max. storage period.

Interior fittings

You can reposition the shelves inside the appliance and the door shelves as required:

- Pull shelf forwards, lower and swing out to the side. Fig. **6**
- Raise the door shelf and remove. Fig. **5**

Special features

(not all models)

Butter and cheese compartment

To open the butter compartment, gently press in the middle of the butter compartment flap.

To clean the compartment, lift it at the bottom and take out.

Ice block

If a power failure or malfunction occurs, the ice blocks can be used to slow down the thawing process. The longest storage time is obtained by placing the ice pack on the food in the top compartment.

The ice blocks can also be used to cool food temporarily, e. g. in a cold bag.

Ice cube tray

Fig. **8**

1. Fill the ice cube tray $\frac{3}{4}$ full of drinking water and place in the freezer compartment.
2. If the ice tray is stuck to the freezer compartment, loosen with a blunt implement only (spoon-handle).
3. To loosen the ice cubes, twist the ice tray slightly or hold briefly under flowing water.

Breakfast set

Fig. **9**

The containers for the breakfast set can be taken out and filled individually.

Bottle shelf

Fig. **10**

Bottles can be stored securely on the bottle shelf.

Sticker “OK”

(not all models)

The sticker “OK” lets you check whether the refrigerator compartment achieves the safe temperature ranges of +4 °C or colder recommended for food. If the sticker does not indicate “OK”, gradually reduce the temperature.

Note

When the appliance is switched on, it may take up to 12 hours until the set temperature is reached.



Correct setting

Switching off and disconnecting the appliance

Switching off the appliance

Pull out mains plug or switch off fuse.
Refrigerating unit switches off.

Disconnecting the appliance

If you do not use the appliance for a prolonged period:

1. Pull out the mains plug or switch off the fuse.
2. Clean the appliance.
3. Leave appliance doors open.

Cleaning the appliance

Caution

- Do not use abrasive, chloride or acidic cleaning agents or solvents.
- Do not use scouring or abrasive sponges.
The metallic surfaces could corrode.
- Never clean shelves and containers in the dishwasher.
The parts may become deformed!

The cleaning water must not get into the following areas:

- Controls
- Illumination
- Ventilation openings
- Openings in the separating plate

Proceed as follows:

1. Pull out the mains plug or switch off the fuse.
2. Take out the frozen food and store in a cool location. Place ice pack (if available) on the food.
3. The rinsing water must not drip into the controls, lighting, ventilation openings or the openings in the partition!
Clean the appliance with a soft cloth, lukewarm water and a little pH-neutral washing-up liquid.
4. Wipe the door seal with clear water only and then wipe dry thoroughly.
5. After cleaning reconnect the appliance.
6. Put the frozen food back into the appliance.

Interior fittings

All variable parts of the appliance can be taken out for cleaning.

Take out shelves in the door

Fig. 5

Lift shelves upwards and take out.

Take out glass shelves

Pull the glass shelves forwards and take out.

Removing the container

Fig. 7

Pull out the container all the way, lift at the front and remove.

Taking out the frozen food container

Fig. 7

Pull out the frozen food container all the way, lift at the front and remove.

Light (LED)

Your appliance features a maintenance-free LED light.

These lights may be repaired by customer service or authorised technicians only.

Tips for saving energy

- Install the appliance in a dry, well ventilated room! The appliance should not be installed in direct sunlight or near a heat source (e.g. radiator, cooker).
If required, use an insulating plate.
- Allow warm food and drinks to cool down before placing in the appliance.
- Thaw frozen food in the refrigerator compartment and use the low temperature of the frozen food to cool refrigerated food.
- Open the appliance as briefly as possible.
- To achieve the lowest energy consumption, leave a small wall gap at the side.
- The arrangement of the fittings does not affect the energy rating of the appliance.

Operating noises

Quite normal noises

Note

When super freezing is switched on, increased operating noises may occur.

Droning

Motors are running (e.g. refrigerating units, fan).

Bubbling, humming or gurgling noises

Refrigerant is flowing through the tubing.

Clicking

Motor, switches or solenoid valves are switching on/off.

Cracking

Automatic defrosting is running.

Preventing noises

The appliance is not level

Please align the appliance with a spirit level. Use the height-adjustable feet or place packing underneath them.

The appliance is not free-standing

Please move the appliance away from adjacent units or appliances.

Containers or storage areas wobble or stick

Please check the removable parts and re-insert them correctly if required.

Bottles or receptacles are touching each other

Move the bottles or receptacles slightly away from each other.

Eliminating minor faults yourself

Before you call customer service:

Please check whether you can eliminate the fault yourself based on the following information.

Customer service will charge you for advice – even if the appliance is still under guarantee!

Fault	Possible cause	Remedial action
Temperature differs greatly from the set value.		<p>In some cases it is adequate to switch off the appliance for 5 minutes.</p> <p>If the temperature is too high wait a few hours and check whether the temperature has approached the set value.</p> <p>If the temperature is too low check the temperature again the next day.</p>

Fault	Possible cause	Remedial action
Warning signal sounds. Temperature display flashes. Fig. 2/3	Fault - the freezer compartment is too warm! Frozen food is at risk.	To switch off the warning signal, press the temperature setting button, Fig. 2/1.
	Appliance is open.	Close the appliance.
	Ventilation openings have been covered.	Ensure that there is adequate ventilation.
	Too much food was placed in the freezer at once.	Do not exceed max. freezing capacity. When the fault has been rectified, the temperature display stops flashing.
The temperature in the freezer compartment is too warm.	Appliance opened frequently.	Do not open the appliance unnecessarily.
	The ventilation openings have been covered.	Remove obstacles.
	Large quantities of fresh food are being frozen.	Do not exceed max. freezing capacity.
The light does not function.	The LED light is defective.	See chapter "Light (LED)" section.
	Appliance was open too long. Light is switched off after approx. 10 min.	When the appliance is closed and opened, the light is on again.
Controls have reduced luminosity.	When the appliance is not used for some time, the display on the fascia switches to energy saving mode.	As soon as the appliance is again used, e.g. the door is opened, the display switches back to normal illumination.
Displays do not illuminate.	Power failure; the fuse has been switched off; the mains plug has not been inserted properly.	Connect mains plug. Check whether the power is on, check the fuses.
Appliance is not cooling, temperature display and light are lit.	Showroom mode is switched on.	Hold down temperature selection button fig. 2/1 for 10 seconds until an acknowledgement signal sounds. After a short time check whether your appliance is cooling.

Fault	Possible cause	Remedial action
Freezer compartment door was open for a long time; temperature is no longer reached.	The evaporator (refrigeration generator) in the NoFrost system is covered in thick ice and can no longer be defrosted fully automatically.	<p>To defrost the evaporator, remove the frozen food with the compartments, insulate well and store in a cool location.</p> <p>Switch off the appliance and move it away from the wall. Leave the appliance door open.</p> <p>After approx. 20 min. the condensation begins to run into the evaporation pan, at the rear of the appliance.</p> <p>To prevent the evaporation pan from overflowing in this case, mop up the condensation with a sponge.</p> <p>The evaporator is defrosted when the water stops running into the evaporation pan. Clean the interior. Switch the appliance back on again.</p>

Customer service

Your local customer service can be found in the telephone directory or in the customer-service index. Please provide customer service with the appliance product number (E-Nr.) and production number (FD-Nr.).

This information can be found on the rating plate. Fig. **11**

To prevent unnecessary call-outs, please assist customer service by quoting the product and production numbers. This will save you additional costs.

Repair order and advice on faults

Contact information for all countries can be found on the enclosed customer service list.

GB	0344 892 8979	Calls charged at local or mobile rate.
IE	01450 2655	0.03 € per minute at peak. Off peak 0.0088 € per minute.
US	800 944 2904	toll-free

Güvenlik ve ikaz bilgileri

Cihazı çalıştırmadan önce

Kullanma ve montaj kılavuzlarını dikkatlice okuyunuz! Bu kılavuzlarda cihazın kurulması, yerleştirilmesi, kullanılması ve bakımı ile ilgili önemli bilgiler bulunmaktadır.

Üretici, kullanma talimatlarındaki bilgi ve uyarıları dikkate almazsanız, herhangi bir sorumluluk üstlenmez. Tüm belge ve dokümanları sonradan kullanma ihtimalinden veya cihazı satacak olursanız, yeni sahibi için saklayınız.

Teknik güvenlik



Yangın tehlikesi

Soğutma devresinin boruları içinde az miktarda çevre dostu, ancak yanıcı olan soğutma maddesi (R600a) akar. Ozon tabakasına zarar vermez ve sera etkisini fazlalaştırmaz. Eğer soğutma maddesi dışarı sızarsa, gözleri yaralayabilir veya alevlenebilir.

Hasar durumunda

- Açık ateş veya alev kaynakları cihazdan uzak tutulmalıdır.
- Cihazın kurulu olduğu yer birkaç dakika havalandırılmalıdır.
- Cihazı kapatınız ve elektrik fişini çekip prizden çıkarınız.
- Yetkili servise haber verilmelidir.

Bir cihaz ne kadar fazla soğutucu madde ihtiva ederse, kurulduğu yer de o derece büyük olmalıdır. Çok küçük yerlerde, soğutma maddesi devresinde bir kaçak söz konusu olduğunda, yanıcı bir gaz hava karışımı oluşabilir. Her 8 gram soğutucu madde için gerekli olan yerin hacmi en az 1 m³ kadardır. Cihazınızın içinde bulunan soğutma maddesinin miktarı, cihazın iç kısmındaki tip levhasında yazılıdır.

Cihazın kurulması sırasında elektrik bağlantı kablusunun sıkışmamasına veya hasar görmemesine dikkat ediniz.

Bu cihazın elektrik bağlantı kablosu hasar görürse, kablonun üretici, yetkili servis veya benzer ustalık özelliklerine sahip bir kişi tarafından değiştirilmesi gerekir. Hatalı veya gerektiği şekilde yapılmayan kurma çalışmalarından ve onarımlardan dolayı cihazı kullanan kişi için oldukça önemli tehlikeler ortaya çıkabilir.

Onarımlar sadece üretici, yetkili servis veya benzeri eğitime sahip yetkili bir kişi tarafından yapılmalıdır.

Sadece üreticinin orijinal parçaları kullanılmalıdır. Üretici sadece bu parçalarda güvenlik taleplerine uyulduğunu garanti eder.

Çoklu prizler, uzatma kabloları veya adaptörler kullanmayınız.



Yangın tehlikesi

Taşınabilir çoklu prizler veya taşınabilir güç kaynakları aşırı ısınabilir ve yangına neden olabilir.

Taşınabilir çoklu prizleri veya taşınabilir güç kaynaklarını cihazın arkasına yerleştirmeyiniz.

Kullanım esnasında

- Cihazın içinde kesinlikle elektrikli cihazlar kullanmayınız (örn. ısıtma cihazları, elektrikli buz yapma makineleri vs.). Patlama tehlikesi!
- Cihazı temizlemek veya buzunu çözmek için asla buharlı temizleme cihazları kullanmayınız! Buhar elektrikli parçalara temas edebilir ve kısa devre olmasına sebep olabilir. Elektrik çarpma tehlikesi!
- Buz çözmeyi hızlandırmak için, üreticinin talimatları haricinde bir ilave önleme başvurmuyunuz. Patlama tehlikesi!
- Kar, kırağı ve buz tabakalarını temizlemek için sivri veya keskin kenarlı cisimler kullanmayınız. Aksi halde cihazın soğutucu madde boruları zarar görebilir. Dışarı fıskıran soğutucu madde tutuşup yanabilir veya göz yaralanmasına sebep olabilir.
- Yanıcı tahrik gazı ihtiva eden ürünleri (örn. sprey kutuları) ve patlayıcı maddeleri cihazın içinde bulundurmuyunuz. Patlama tehlikesi!
- Cihazın tabanını, raflarını, kapılarını ve benzer parçalarını basamak veya destek olarak kullanmayınız.

- Buz çözme ve temizleme işlemi için, cihazın elektrik fişini prizden çekip çıkarınız veya bağlı olduğu sigortayı kapatınız. Fişi prizden çıkarırken kablodan değil fişin kendisinden tutunuz.
- Alkol oranı yüksek olan sıvı dolu şişeleri iyice kapatarak ve dik olarak buzdolabına koyunuz.
- Cihazın plastik parçalarına ve kapının contasına sıvı ve katı yağ değmemesine özen gösteriniz. Aksi halde plastik parçalar ve kapı contası delinip aşınabilir.
- Cihazın hava giriş ve çıkış delikleri kesinlikle örtülmemeli ve önleri kapatılmamalıdır.
- Dondurulmuş besinleri kesinlikle dondurucudan çıkarır çıkarmaz ağızınıza almayınız.
Donma yanığı tehlikesi!
- Ellerinizi uzun bir süre dondurulmuş besine, buza veya buharlaştırıcı borularına vs. temas etmesini önleyiniz.
Donma yanığı tehlikesi!
- Şişe ve kutu içindeki sıvı maddeleri (özellikle karbonik asit ihtiva eden içecekleri) dondurucu bölümünde depolamayınız. Şişe ve kutular patlayabilir!

■ Çocuklar ve tehlikeye maruz kalabilecek kişiler için söz konusu olabilecek risklerin önlenmesi:

Çocuklar ve bedensel, ruhsal veya algısal yetenekleri sınırlı olan veya cihazın güvenli kullanılması hakkında yeterince bilgisi olmayan kişiler tehlikeye maruz kalabilecek kişiler olarak kabul edilirler.

Çocukların ve söz konusu tehlikeye maruz kalabilecek kişilerin tehlikeleri anlamış olmasını sağlayınız.

Güvenlikten sorumlu bir kişi çocukları ve tehlikeye maruz kalabilecek kişileri cihaz kullanılırken denetlemeli veya onlara rehberlik etmelidir. Sadece 8 yaşından büyük çocukların cihazı kullanmasına izin veriniz.

Temizleme ve bakım çalışmalarında çocukları denetleyiniz.

Çocukların cihaz ile oynamasına kesinlikle izin vermeyiniz.

Evdeki çocuklar

- Ambalajları ve ambalaj parçalarını çocuklara vermeyiniz. Katlanan kartonlardan ve folyolardan dolayı boğulma tehlikesi söz konusudur!
- Bu cihaz, çocuk oyuncağı değildir.
- Kilit tertibatı olan cihazlarda: Anahtarı çocukların erişemeyecekleri bir yerde muhafaza ediniz!

Genel yönetmelikler

Cihaz,

- besinlerin soğutulması ve dondurulması için kullanılır,
- buz hazırlamak için kullanılır.

Bu cihaz evde ve ev ortamında kişisel kullanımınız içindir, ticari amaçlı kullanım için öngörülmemiştir.

Soğutucu madde devresinin sızdırmazlığı kontrol edilmiştir.

Bu cihaz, elektronik cihazlar için genel olarak geçerli olan güvenlik yönetmeliklerine uygundur ve elektriksel parazitlenmeye karşı korunmuştur.

Bu cihaz, deniz seviyesinden en fazla 2000 metre yükseklikte kullanılmak üzere tasarlanmıştır.

Giderme bilgileri

Yeni cihazın Ambalajının giderilmesi

Ambalaj, cihazınızı transport hasarlarına karşı korur. Ambalajda kullanılmış olan tüm malzemeler, çevreye zarar vermeyen türdendir ve yeniden kullanılabilir. Lütfen siz de yardımcı olunuz: Ambalajı çevreye zarar vermeyecek şekilde gideriniz.

Güncel giderme yol ve yöntemleri hakkında bilgi edinmek için, lütfen yetkili satıcınıza veya bağlı olduğunuz belediye idaresine başvurunuz.

AEEE Yönetmeliğine Uyum ve Atık Ürünün Elden Çıkarılması

Ambalaj malzemesini çevre kurallarına uygun şekilde imha ediniz.



Bu ürün T.C. Çevre ve Şehircilik Bakanlığı tarafından yayımlanan “Atık Elektrikli ve Elektronik Eşyaların Kontrolü Yönetmeliği”nde belirtilen zararlı ve yasaklı maddeleri içermez.

AEED yönetmeliğine uygundur.

Bu ürün, geri dönüşümlü ve tekrar kullanılabilir nitelikteki yüksek kaliteli parça ve malzemelerden üretilmiştir. Bu nedenle, ürünü, hizmet ömrünün sonunda evsel veya diğer atıklarla birlikte atmayın. Elektrikli ve elektronik cihazların geri dönüşümü için bir toplama noktasına götürün. Bu toplama noktalarını bölgenizdeki yerel yönetime sorun. Kullanılmış ürünleri geri kazanıma vererek çevrenin ve doğal kaynakların korunmasına yardımcı olun. Ürünü atmadan önce çocukların güvenliği için elektrik fişini keskin ve kilit mekanizmasını kırarak çalışmaz duruma getirin.

Uyarı

Eskimiş ve artık kullanılmayacak cihazlarda:

1. Elektrik fişini çekip prizden çıkarınız.
2. Elektrik kablosunu kesip, fişi ile birlikte cihazdan ayırınız.
3. Çocukların cihazın içine girmesini zorlaştırmak için, rafları, çekmeceleri ve eşya gözlerini cihazdan çıkarmayınız.
4. Çocukların eskimiş cihaz ile oynamasına izin vermeyiniz. Boğulma tehlikesi!

Soğutma cihazlarının içinde soğutucu maddeler vardır, yalıtım tertibatlarında ise izolasyon gazları vardır. Soğutucu maddeler ve gazlar uzmanca giderilmelidir. Eski cihaz uzmanca ve çevreye zarar vermeyecek şekilde giderilinceye kadar, soğutucu madde sirkülasyon borularının zarar görmemesine dikkat ediniz.

Teslimat kapsamı

Ambalajdan çıkardıktan sonra, tüm parçaları olası transport hasarları açısından kontrol ediniz.

Şikayet veya itiraz söz konusu olduğunda, lütfen cihazı satın aldığınız yetkili satıcınıza veya yetkili servisimize başvurunuz.

Teslimat kapsamı, aşağıdaki parçalardan oluşmaktadır:

- Solo cihaz
- Donanım (modele bağlı)
- Montaj malzemelerini içeren torba
- Kullanma kılavuzu
- Montaj kılavuzu
- Yetkili servis defteri
- Garanti ekleri
- Enerji tüketimi ve çalışma sesleri ile ilgili bilgiler

Cihazın kurulacağı yer

Cihazın kurulacağı yerin kuru ve havalandırılabilen bir yer olması gerekir. Cihazın kurulduğu yer doğrudan güneş ışınlarına maruz kalmamalı ve ocak, radyatör vs. gibi bir ısı kaynağının yanında olmamalıdır. Eğer cihazın bir ısı kaynağının yanına kurulması önlenemiyorsa, uygun bir izolasyon levhası kullanılmalıdır veya ısı kaynağına olan asgari mesafe aşağıdaki gibi olmalıdır:

- Elektrikli veya gazlı ocak ve fırınlarda: 3 cm.
- Gaz yağı ve kömür sobalarından: 30 cm.

Cihazın kurulacağı yerdeki zemin esnememelidir, gerekirse takviye ediniz. Zeminin düzgün olmaması halinde, uygun altlıklar kullanarak, dengesizliği gideriniz.

Duvar mesafesi

Resim 3

Cihazın yan tarafında duvara mesafe bırakılması gerekli değildir. Kaplar ve raflar yine de tamamen dışarı çekilebilir.

Mekan sıcaklığına ve havalandırmaya dikkat edilmelidir

Mekan sıcaklığı

Bu cihaz belli bir klima sınıfı için tasarlanmıştır. Klima sınıfına bağlı olarak bu cihazı şu çevre sıcaklıklarında kullanabilirsiniz.

İklim sınıfı tip levhasının üzerinde bulunur, Resim 11.

Klima sınıfı	Kabul edilebilir mekan sıcaklığı
SN	+10 °C ile 32 °C
N	+16 °C ile 32 °C
ST	+16 °C ile 38 °C
T	+16 °C ile 43 °C

Bilgi

Cihaz, bildirilmiş klima sınıfına ait oda sıcaklığı sınırları dahilinde, sahip olduğu tüm işlevleri ile çalışır. Eğer SN klima sınıfına dahil olan bir cihaz daha soğuk oda sıcaklıklarında işletilirse, +5 °C'ye kadar cihazda herhangi bir hasar olmayacağı garanti edilir.

Havalandırma

Resim 4

Cihazın arka yüzündeki ve yan yüzlerindeki hava ısınır. Isınan bu havanın kolayca çıkıp gidebilmesi gerekir. Aksi halde soğutucunun daha fazla çalışması gerekir. Bu da daha fazla elektrik sarfiyatına yol açar. Bu sebepten dolayı: Havalandırma deliklerinin önünün kesinlikle kapanmamasına dikkat ediniz!

Cihazın elektrik şebekesine bağlanması

Cihazı kurduktan sonra, çalıştırmadan önce en az 1 saat bekleyiniz. Transport esnasında, kompresörün içindeki yağ soğutma sistemi içine dağılıbilir.

Cihazı ilk kez devreye sokmadan önce, cihazın içini temizleyiniz (bakınız bölüm "Cihazın temizlenmesi").

Elektrik bağlantısı

Priz cihazın yakınında olmalı ve cihaz kurulduktan sonra da rahat ulaşılabilir olmalıdır.

⚠ Uyarı

Elektrik çarpma tehlikesi!

Elektrik kablosunun uzunluğu yeterli değilse, kesinlikle çoklu prizler veya uzatma kabloları kullanmayınız. Onun yerine alternatif seçenekler için yetkili servis ile irtibata geçiniz.

Cihaz, koruma sınıfı I tipi bir cihazdır. Cihazı 220–240 V/50 Hz alternatif akım üzerinden, kurallara uygun şekilde monte edilmiş, toprak hattına sahip bir prize bağlayınız. Priz, 10 A – 16 A değerinde bir sigortaya sahip olmalıdır.

Avrupa ülkelerinde işletilmeyen cihazlarda, bildirilen gerilimin ve akım türünün, sizin elektrik şebekenizin değerleri ile uyuşup uyuşmadığını kontrol ediniz. Bu bilgileri, tip levhası üzerinde bulabilirsiniz, Resim 11.

⚠ Uyarı

Bu cihaz kesinlikle elektronik enerji tasarruf prizlerine bağlanmamalıdır.

Cihazlarımızın işletilmesinde şebeke ve sinüs kontrollü konvertisörler kullanılabilir. Şebeke kontrollü konvertisörler, doğrudan umumi elektrik şebekesine bağlanan fotovoltaik sistemlerde kullanılır. Umumi elektrik şebekesine doğrudan bağlantısı olmayan tekil uygulamalarda (örn. gemilerde veya dağ evlerinde ya da dağ kulübelerinde), sinüs kontrollü konvertisörler kullanılmalıdır.

Cihaz özelliklerinin öğrenilmesi



Lütfen önce resimlerin bulunduğu son sayfayı açınız. Bu kullanma kılavuzu birçok cihaz modeli için geçerlidir.

Modellerin donanım kapsamı farklı olabilir.

Resimlerde farklılıklar olabilir.

Resim 1

* Her model için geçerli değil.

- | | |
|-----|--------------------------------|
| A | Soğutucu bölmesi |
| B | Dondurucu bölmesi |
| 1–4 | Kumanda elemanları |
| 5 | Küçük şişe rafı |
| 6 | Büyük şişe rafı |
| 7 | Aydınlatma |
| 8 | Isı ayar düğmesi |
| 9 | Sebze kabı |
| 10* | Dondurucu tablası |
| 11 | Dondurulmuş besin kabı (küçük) |

Kumanda elemanları

Resim 2

- 1 **Isı derecesi ayar tuşu**
Bu tuş ile, istenilen ısı derecesi ayarlanır.
- 2 **"Super" göstergesi (dondurucu bölmesi)**
Bu gösterge sadece, süper dondurma fonksiyonu devrede olduğu zaman yanar.
- 3 **Dondurucu bölmesi ısı derecesi göstergesi**
Işıklı gösterge çubuğundaki sayılar, dondurucu bölmesindeki soğukluk derecesinin °C türünden değerine eşittir.
- 4 **Eco mode göstergesi**
Eco modu açık olduğunda vurgulanır.

Cihazın açılması

Resim 2

1. Fişi prize takınız.
2. İkaz sesi duyulur. Isı derecesi göstergesi 3 yanıp söner.
3. Isı ayar tuşuna 1 basınız. İkaz sesi kapanır.

Dondurucu bölmesi ayarlanmış ısı derecesine ulaşınca, ısı derecesi göstergesi 3 yanar.

Fabrika ayarı olarak aşağıdaki ayarlar önerilmektedir:

- Soğutucu bölmesi: Orta ayar
- Dondurucu bölmesi: -18 °C

Hassas gıda maddelerini soğutucu bölümünde muhafaza ediniz.

İşletme hakkında bilgiler

- Devreye sokma işleminden sonra, ayarlanmış ısı derecelerine ulaşılıncaya kadar birkaç saat geçebilir.
- Tam otomatik NoFrost sistemi sayesinde, dondurucu bölümünde buz oluşmaz. Bu nedenle, buz çözme işlemi yapılması gerekmez.
- Gövdenin ön yüzleri kısmen biraz ısıtılır; böylelikle kapı contasının bulunduğu alanda terlemeden kaynaklanan su oluşması önlenir.
- Dondurucu bölümünün kapısı kapatıldıktan sonra hemen tekrar açılmazsa, oluşmuş olan vakum dengeleninceye kadar, biraz bekleyiniz.

Sıcaklık derecesinin ayarlanması

Soğutucu bölmesi

Isı ayar düğmesini, Resim 1/8, istediğiniz ayar konumuna çeviriniz. İşaretlemeye ayarlanmasını öneririz.

Ayarın, saatin çalışma yönünde değiştirilmesi sonucunda soğutucu bölümünde daha soğuk dereceler elde edilir.

16 °C'nin altında oda sıcaklığında cihazı biraz daha yüksek bir ısı derecesine ayarlayınız. 32 °C'nin üzerinde oda sıcaklığında cihazı biraz daha düşük bir ısı derecesine ayarlayınız.

Sadece müteakip durumda geçici olarak çok soğuk bir ayar seçiniz:

- Cihaz kapısının sık açılması,
- Soğutucu bölümüne çok miktarda besin yerleştirilmesi.

Dondurucu bölmesi

Isı derecesi -18°C ile -24°C arasında ayarlanabilir.

İstedüğünüz dondurucu bölmesi ısı derecesi ayarlanıncaya kadar, ısı ayar tuşuna 1 arka arkaya basınız.

Son olarak ayarlanmış olan değer hafızaya kaydedilir. Ayarlanmış ısı derecesi ilgili ısı derecesi göstergesinde 3 gösterilir.

Eco

Eco fonksiyonu ile, cihazı enerji tasarruf moduna alabilirsiniz.

Cihaz otomatik olarak şu ısı derecelerini ayarlar:

- Dondurucu bölmesi: -16°C

Eco fonksiyonunun devreye sokulması

“eco” göstergesi vurgulanmaya başlayıncaya kadar ısı derecesi ayar tuşuna 1 peş peşe basınız.

Alarm fonksiyonları

Resim 2

Kapı alarmı

Cihazın kapısı bir dakikadan daha uzun bir süre açık kalırsa, cihaz kapısı alarmı (sürekli ses) devreye girer. Kapı kapatılınca, uyarı sesi de yine kapanır.

Isı derecesi alarmı

Isı alarmı, dondurucu bölmesi çok sıcak olunca ve dondurulmuş besinler için tehlike söz konusu olunca devreye girer.

Isı derecesi göstergesi, Resim 2/3, yanıp söner.

Dondurulmuş besinler için tehlike söz konusu olmadan, alarm şu durumlarda devreye girebilir:

- Cihaz ilk defa çalıştırıldığında.
- Cihaza fazla miktarda taze gıda maddeleri konulduğu zaman.
- Dondurucu bölmesinin kapısı çok uzun bir süre açık kaldıysa.

Bilgi

Buzu çözülmeye başlamış veya çözülmüş olan besinleri tekrar dondurmuyunuz. Bu besinleri ancak pişirdikten sonra (pişiriniz veya kızartınız) yeniden dondurabilirsiniz.

Azami depolama süresini bu durumda tamamen kullanmayınız.

Alarmın kapatılması

Resim 2

Isı derecesi ayar tuşuna 1 basarak, ikaz sesini kapatınız.

Kullanılabilen hacim

Cihazın kullanılabilen hacmi ile ilgili bilgiler için, cihazın tip etiketine (levhasına) bakınız. Resim 11

Dondurma kapasitesinin tamamen kullanılması

Azami dondurulacak besin miktarını cihaza yerleştirebilmek için, cihazın içindeki kapları dışarı çıkarabilirsiniz. Böylelikle besinleri doğrudan raf üzerine ve dondurucu bölmesi tabanı üzerine istif edebilirsiniz.

Bilgi

Besinler ve cihazın iç arka yüzü arasında temas olmasını önleyiniz. Aksi halde hava dolaşımı kötü etkilenebilir.

Besinler veya ambalajlar donarak cihazın iç arka yüzüne yapışabilir.

Donanım parçalarının çıkarılması

Dondurulmuş besin kabını sonuna kadar dışarı çekiniz, ön tarafını yukarı kaldırınız ve dışarı çıkarınız. Resim 7

Soğutucu bölmesi

Soğutucu bölmesi et, salam-sucuk, balık, süt ürünleri, yumurta, hazır yemekler ve hamur ürünleri için ideal bir muhafaza etme yeridir.

Depolama işleminde dikkat edilmesi gerekenler

- Taze, sağlam besinleri depolayınız. Böylelikle kalite ve tazelik daha uzun korunur.
- Hazır ürünlerde ve doldurma ürünlerde, üretici tarafından bildirilmiş asgari kullanılabilirlik tarihine veya son kullanma tarihine dikkat ediniz.

- Aromanın, renklerin ve tazeliğin korunması için, besinleri iyi ambalajlanmış veya kapalı şekilde cihaza yerleştiriniz. Böylelikle besinler arasında birbirlerine tat verme ve soğutma bölgesindeki plastik parçalarda renk değişimleri önlenmiş olur.
- Sıcak yiyecekleri ancak soğuduktan sonra cihaza yerleştiriniz.

Bilgi

Hava sirkülasyonunun kötü etkilenmemesi için, soğutucu bölgesindeki havalandırma deliklerinin önünü besin koyarak bloke etmeyiniz. Doğrudan hava çıkış deliklerinin önüne yerleştirilen besinler, deliklerden çıkan soğuk havadan dolayı donabilir.

Soğutucu bölgesindeki soğuk kısımlara dikkat

Soğutucu bölgesindeki hava sirkülasyonundan dolayı, farklı soğukluk derecelerine sahip kısımlar oluşur:

- En soğuk bölge, soğutucu bölmesinin üst kısmındadır.

Bilgi

En soğuk bölümde hassas besinleri muhafaza ediniz (örn. balık, sucuk, et).

- En sıcak bölge ise, cihaz kapısında en altta ve sebze kabının içindedir.

Bilgi

En sıcak alanda örn. sert peynir ve tereyağı muhafaza ediniz. Böylelikle peynir tadını geliştirmeye devam eder, tereyağı ise ekmeğe sürülebilir kıvamda kalır.

Sebze kabı

Resim 11/9

Yüksek hava nemi olduğunda, yaprak sebze daha uzun taze kalır. Sebze ve meyve, biraz daha düşük hava nemi oranında muhafaza edilmelidir.

Sebze kabındaki hava nemi oranı, içine yerleştirilmiş besin miktarına bağlıdır.

Bilgi

Çok yüksek bir hava nemi oranı, su damlacıkları oluşmasına ve çürümeye neden olabilir.

Dondurucu bölmesi

Dondurucu bölmesinin kullanımı

- Dondurucu bölmesi.
- Küp buz üretmek için.
- Besin dondurmak için.

Bilgi

Dondurucu bölmesinin kapısının daima kapalı olmasına dikkat ediniz! Kapı açık olduğu zaman, dondurulmuş besinlerin buzu çözülür. Dondurucu bölmesi yoğun buz tutar. Ayrıca: Yüksek elektrik akımı tüketiminden dolayı gereksiz enerji harcanması söz konusudur!

Azami dondurma kapasitesi

24 saat içinde elde edilebilecek azami dondurma kapasitesi ile ilgili bilgiler için tip levhasına bakınız. Resim 11

Azm. dondurma kapasitesi için ön koşullar

- Süper dondurma fonksiyonunu taze besinleri yerleştirmeden önce devreye sokunuz (Süper dondurma bölümüne bakınız).
- Kabı cihazdan çıkarınız; besinleri doğrudan raf üzerine ve dondurucu bölmesinin tabanı üzerine diziniz.
- Dondurulacak besin miktarı çok olduğunda, öncelikle en üst gözde dondurunuz. Besinler orada daha çabuk ve böylelikle daha hassas dondurulur.

Besinlerin dondurulması ve depolanması

Derin dondurulmuş besin satın alınması

- Ambalaj zarar görmemiş olmalıdır.
- Son kullanma tarihine dikkat edilmelidir.
- Satış sandığındaki ısı derecesi -18 °C veya daha soğuk olmalıdır.
- Derin dondurulmuş besinleri mümkünse bir izole eden poşet veya çanta içinde sevk ediniz ve en kısa zamanda dondurucu bölümüne yerleştiriniz.

Yerleştirirken dikkat edilecek konular

- Dondurulacak besin miktarı çok olduğunda, öncelikle en üst gözde dondurunuz. Besinler orada daha çabuk ve böylelikle daha hassas dondurulur.

- Besinleri geniş şekilde gözlere ya da dondurulacak besin kaplarına yayınız.

Bilgi

Önceden dondurulmuş olan besinler, yeni dondurulacak olan besinler ile temas etmemelidir. Gerekirse tamamen donmuş besinleri başka dondurulmuş besin kaplarına aktarınız.

Dondurulmuş besinlerin depolanması

Kusursuz bir hava sirkülasyonu sağlayabilmek için, dondurulmuş besin kabını sonuna kadar içeri sürünüz.

Taze besinlerin dondurulması

Dondurmak için sadece taze ve iyi besinler kullanınız.

Besi değerinin, aromanın ve rengin mümkün olduğu kadar korunması için, sebze dondurulmadan önce kısa haşlanmalıdır. Patlıcanlarda, biberlerde, kabaklarda ve kuşkonmazda kısa haşlama işlemi yapılması gerekmez.

Dondurma ve kısa haşlama hakkında literatür veya bilgi kaynakları için kitapçılara bakınız.

Bilgi

Dondurulacak besinlerin, önceden dondurulmuş besinler ile temasını önleyiniz.

- Dondurulmaya elverişli besinler: Hamur işleri, balık ve deniz ürünleri, et, av eti, kanatlılar, sebze, meyve, otsu baharatlar, kabuksuz yumurta, peynir, tereyağı ve süzme yoğurt gibi süt ürünleri, hazır yemekler, çorba, türlü, pişmiş et ve balık gibi yemek artıkları, patates yemekleri, sufleler ve tatlı besinler.

- Dondurulmaya elverişli olmayan besinler: Yaprak salata, kırmızı turp, kabağı içinde yumurta, üzüm, bütün elma, armut ve şeftali, katı pişmiş yumurta, yoğurt, kesilmiş süt, krema, crème fraîche ve mayonez.

Dondurulmuş besinlerin ambalajlanması

Besinleri hava giremeyecek şekilde paketleyiniz ki, tadı bozulmasın veya kurumasin. Besinleri ambalajlamak için veya besin kaplarını kapatmak için, sağlığa zararlı olabilecek malzemeler kullanmayınız.

1. Besinleri ambalaja koyunuz.
2. Havayı bastırıp boşaltınız.
3. Ambalajı sıkı ve hava sızmayacak şekilde kapatınız.
4. Ambalaj üzerine içindeki besinlerin ismini ve dondurma tarihini yazınız.

Aşağıdakiler ambalaj olarak uygundur:

Plastik folyo, polietilenden torba folyo, alüminyum folyo ve dondurmak için uygun kutular.

Bu ürünleri uzman satış mağazalarında bulabilirsiniz.

Aşağıdakiler ambalaj olarak uygun değildir:

Paketleme kağıdı, parşömen kağıdı, selofan (jelatinli kağıt), çöp torbası ve kullanılmış poşetler.

Kapatmak için aşağıdakiler uygundur:
Lastik halkalar, plastik klipsler, bağlama iplikleri, soğuğa dayanıklı yapışkan bantlar veya benzeri malzemeler.

Polietilenden torbalar ve hortum folyoları bir folyo kaynak (ısıtıp yapıştırma) cihazı ile sızdırmaz şekilde kapatılabilir.

Dondurulmuş besinlerin son kullanma tarihi

Dondurulmuş besinlerin dayanma süresi,

-18 °C ısı derecesi ayarında:

- Balık, sucuk, hazır yemek, hamur ürünleri:
6 aya kadar
- Peynir, kanatlı hayvanlar, et:
8 aya kadar
- Sebze, meyve:
12 aya kadar

Süper dondurma

Vitaminlerin, besi değerlerinin, görünüşün ve tadın korunması için, besinler mümkün olduğu kadar hızlı bir şekilde ortalarına kadar tamamen dondurulmalıdır.

Taze besin yerleştirmeden birkaç saat önce süper dondurma fonksiyonunu devreye sokarak, taze besinler yerleştirildiğinde söz konusu olabilecek istenmeyen ısı derecesi yükselmesini önleyiniz.

Genel olarak 4–6 saat kadar önceden çalıştırmak yeterlidir.

Bu fonksiyon devreye sokulduktan sonra, kompresör sürekli çalışır ve dondurucu bölmesinde çok düşük bir dereceye ulaşılır.

Azm. dondurma kapasitesi kullanılmak isteniyorsa, taze besin yerleştirilmeden 24 saat önce süper dondurma fonksiyonu devreye sokulmalıdır.

Az miktarda besin (azami 2 kg kadar), süper dondurma fonksiyonu kullanılmadan da dondurulabilir.

Bilgi

Süper dondurma devreye sokulmuşsa, daha fazla işletme sesleri duyulabilir.

Açılması ve kapatılması

Resim 2

Süper 2 göstergesi yanıncaya kadar, ısı derecesi ayar tuşuna 1 peş peşe basınız.

Süper dondurma fonksiyonu yakl. 2½ gün sonra otomatik olarak kapanır.

Dondurulmuş besinlerin buzunun çözülmesi

Besin çeşitlerine ve kullanım amacına göre, şu olanaklar arasında seçme yapılabilir:

- Oda sıcaklığında
- Buzdolabında
- Elektrikli fırında, sıcak hava ventilatörü kullanılarak/kullanılmadan
- Mikrodalga fırında



Dikkat

Buzu çözülmeye başlamış veya çözülmüş olan besinleri tekrar dondurmuyunuz. Bu besinleri ancak pişirdikten sonra (pişiriniz veya kızartınız) yeniden dondurabilirsiniz.

Bu durumda besinin azami depolama süresini tamamen kullanmayınız.

Dolap

İç kısmın raflarını, kapı içindeki rafları ve gözleri, ihtiyacınıza göre değiştirebilirsiniz:

- Rafı öne doğru çekiniz, ön kısmı aşağı indiriniz ve yana doğru çevirip çıkarınız. Resim 6
- Kapı içindeki rafı veya gözü yukarı kaldırınız ve dışarı çıkarınız. Resim 5

Özel donanım

(her modelde değil)

Tereyağı ve peynir kabı

Tereyağı gözünün kapağının orta kısmına hafifçe basılarak, tereyağı gözü açılır.

Gözü çıkarıp temizlemek için, alt kısmını yukarı doğru kaldırınız ve dışarı çıkarınız.

Soğutma aküsü

Soğutma aküsü, elektrik kesilmesi veya bir arıza durumunda, depolanmış dondurulmuş besinlerin ısınmasını yavaşlatır. Soğutma akülerini en üst gözde besinlerin üzerine yerleştirirseniz, mümkün olan en uzun depolama süresine ulaşabilirsiniz.

Soğutma aküsü, gıda maddelerinin geçici olarak, örn. bir soğutma çantasında soğuk tutulmaları için de kullanılabilir.

Buz kabı

Resim 8

1. Buz kabının ¾ kadarını içme suyu ile doldurunuz ve kabı dondurucu bölmesine yerleştiriniz.
2. Buz kabı tabana yapışırsa, keskin ve sivri olmayan bir cisim ile çözmeye çalışınız (kaşık sapı).
3. Küp buzları buz kabından çıkarmak için, kabı kısa bir süre muslukta akan su altına tutunuz veya biraz sağa sola bükünüz.

Kahvaltı seti

Resim 9

Kahvaltı setinin kapları teker teker dışarı çıkarılabilir ve doldurulabilir.

Şişe rafı

Resim 10

Şişe rafında şişeler emin bir şekilde muhafaza edilebilir.

Çıkartma "OK"

(her modelde yoktur)

"OK" çıkartması ile, soğutma bölümünde gıda maddeleri için güvenli olan ve tavsiye edilen +4 °C veya altı bir ısı derecesinin mevcut olup olmadığını kontrol edebilirsiniz. Çıkartmada "OK" gösterilmezse, ısı derecesini adım adım azaltınız.

Bilgi

Cihaz devreye sokulduktan sonra, ayarlanmış ısı derecesine ulaşılması 12 saat sürebilir.



Doğru ayar

Cihazın kapatılması, cihazın tamamen kapatılması

Cihazın kapatılması

Bunu emin bir şekilde sağlayabilmek için, elektrik bağlantı fişini prizden çıkarınız veya cihazın bağlı olduğu sigortayı kapatınız.

Kompresör kapanır.

Cihazın tamamen kapatılması

Eğer cihaz uzun bir süre kullanılmayacaksa:

1. Elektrik fişi çekilip prizden çıkarılmalı veya cihazın bağlı olduğu sigorta kapatılmalıdır.
2. Cihazı temizleyiniz.
3. Cihaz kapılarını açık bırakınız.

Cihazın temizlenmesi

Dikkat

- Kum, klor veya asit içeren temizleme maddeleri ve çözücü maddeler kullanmayınız.
- Ovalama gerektiren veya çizen süngerler kullanmayınız.
Metalik yüzeylerde korozyon oluşabilir.
- Raflar ve kaplar kesinlikle bulaşık makinesinde yıkanmamalıdır.
Aksi halde bu parçalar deforme olabilir.

Temizleme suyu müteakip bölümlere girmemelidir:

- Kullanım elemanları
- Aydınlatma
- Havalandırma delikleri
- Ayırma plakasında delikler

Aşağıdaki işlemleri uygulayınız:

1. Elektrik fişini prizden çıkartınız veya cihazın bağlı olduğu sigortayı kapatınız.
2. Dondurulmuş besinleri cihazdan dışarı çıkarınız ve serin bir yerde muhafaza ediniz. Soğutma akülerini (varsa) besinlerin üzerine yerleştiriniz.

3. Deterjanlı temizleme suyu, kumanda elemanları, aydınlatma, havalandırma delikleri veya ayırma plakası deliklerinin içine irmemelidir!

Cihazı yumuşak bir bez, ılık su ve pH değeri nötr olan bir bulaşık deterjanı ile temizleyiniz.

4. Kapı contası sadece temiz su ile silinmelidir ve ardından iyice silinip kurulanmalıdır.
5. Temizleme işleminden sonra, cihazı tekrar elektrik şebekesine bağlayınız.
6. Şimdi dondurulmuş besinleri yeniden cihaza yerleştiriniz.

Dolap

Temizlenmek amacıyla, cihazın tüm yeri değiştirilebilen parçaları dışarı çıkarılabilir.

Kapı içindeki rafların dışarı çıkarılması Resim 5

Rafları yukarı kaldırınız ve dışarı çıkarınız.

Cam rafların dışarı çıkarılması

Cam rafları öne doğru çekiniz ve dışarı çıkarınız.

Kapların dışarı çıkarılması

Resim 7

Kabı sonuna kadar dışarı çekiniz, ön tarafını yukarı kaldırınız ve dışarı çıkarınız.

Dondurulmuş besin kabının dışarı çıkarılması

Resim 7

Dondurulmuş besin kabını sonuna kadar dışarı çekiniz, ön tarafını yukarı kaldırınız ve dışarı çıkarınız.

Aydınlatma (LED)

Cihazınız, bakım istemeyen bir LED aydınlatması ile donatılmıştır.

Bu aydınlatma donanımında yapılacak onarımlar sadece yetkili servis veya yetkilendirilmiş uzman elemanlar tarafından uygulanmalıdır.

Enerji tasarrufu

- Cihazı serin ve iyi havalandırılmış bir yere kurunuz! Güneş ışınları doğrudan cihazın kurulacağı yere gelmemeli ve cihaz sıcaklık oluşturan cisimlerin ve ısı kaynaklarının (örn. soba, kalorifer, ocak, fırın gibi) yanına veya yakınına kurulmamalıdır.

Gerekirse bir izolasyon plakası kullanınız.

- Sıcak besinleri ve içecekleri cihaza yerleştirmeden önce soğumasını bekleyiniz ve soğuduktan sonra cihaza yerleştiriniz.
- Dondurulmuş besinleri buzlarının çözülmesi için soğutucu bölümüne yerleştirerek, bu besinlerin soğukluğunu söz konusu bölümdeki besinlerin soğutulması için kullanınız.
- Cihaz kapılarını mümkün olduğu kadar kısa açınız.
- Enerji tüketiminin en düşük seviyede olmasını sağlamak için: duvara olan mesafe mümkün olduğunca kısa tutulmalıdır.
- Donanım parçalarının düzeni, cihazın enerji alma veya çekme tutumunu etkilemez.

Çalışma sesleri

Normal çalışma ses ve gürültüleri

Bilgi

Süper dondurma devreye sokulmuşsa, daha fazla işletme sesleri duyulabilir.

Boğuk horultu

Motorlar çalışıyor (örn. soğutma ünite grubu, ventilatör).

Fıkırtı, şırıltı ve tınlama sesleri

Boruların içinde soğutma maddesi akıyor.

Çıtlama sesi

Motor, şalter veya manyetik valfler açılıyor/kapanıyor.

Çatırdama

Ötomatik buz çözme yapılıyor.

Gürültü oluşmasının önlenmesi

Cihaz düz yerleştirilmemiş

Cihazı lütfen bir su terazisinin yardımı ile dengeli ayarlayınız. Düzeltme işlemi için cihazın ayarlanabilen vidalı ayarlarını kullanınız veya altına uygun parçalar koyunuz.

Cihaz bir yere "temas" ediyor

Cihazı, temas ettiği mobilya veya cihazlardan ayırınız.

Kaplar veya raflar sallanıyor veya sıkışıyor

Dışarı çıkarılabilen parçaları kontrol ediniz ve gerekirse yeniden takınız.

Şişeler veya kaplar birbirine değiyor

Şişeleri veya kapları birbirinden biraz ayırınız.

Basit hataları kendiniz giderebilirsiniz

Yetkili servisi çağırmadan önce:

Aşağıdaki talimatların yardımıyla arızayı kendinizin giderip gideremeyeceğinizi kontrol ediniz.

Garanti süresi içerisinde dahi, bu gibi durumlarda servis görevlisinin masraflarının tümünü kendiniz ödemek zorundasınız!

Arıza	Muhtemel sebebi	Giderilmesi
Sıcaklık derecesi, yapılmış ayardan çok daha farklı.		Bazı durumlarda cihazı 5 dakika kapatmanız yeterlidir. Isı derecesi çok sıcak ise, birkaç saat sonra ısı derecesinin ayar derecesine yaklaşım yaklaşmadığını kontrol ediniz. Sıcaklık derecesi düşükse, yani çok soğuksa, sıcaklık derecesini ertesi gün tekrar kontrol ediniz.
İkaz sesi duyulur. Isı derecesi göstergesi yanıp söner. Resim 2/3	Arıza - bu demektir ki, dondurucu bölmesi çok sıcak! Dondurulmuş besinler için tehlike söz konusu. Cihazın kapısı veya kapağı açık.	İkaz sesini kapatmak için, ısı ayar tuşuna, Resim 2/1, basınız. Cihaz kapısını veya kapağını kapatınız.
	Hava giriş ve çıkış deliklerinin önü kapanmış.	Cihazın hava giriş ve çıkışını sağlayınız.
	Bir seferde çok fazla besin dondurulmak için cihaza yerleştirildi.	Azami dondurma kapasitesi aşılmamalıdır. Arıza giderildikten sonra, ısı derecesi göstergesinin yanıp sönmeyeceği durur.
Dondurucu bölümünün derecesi çok sıcak.	Cihazın çok sık açılması. Hava giriş ve çıkış deliklerinin önü kapanmış.	Cihazı gereksiz açmayınız. Engeller giderilmelidir.
	Çok miktarda taze besin donduruldu.	Azami dondurma kapasitesi aşılmamalıdır.

Arıza	Muhtemel sebebi	Giderilmesi
Aydınlatma çalışmıyor.	LED aydınlatma bozuk. Cihaz kapısı veya kapağı çok uzun bir süre açık kaldı. Aydınlatma yakl. 10 dakika sonra kapatılır.	Bakınız bölüm "Aydınlatma (LED)". Cihaz kapısı veya kapağı kapatılıp açıldıktan sonra, aydınlatma yine yanar.
Kumanda birimlerinde düşük ışık gücü söz konusu olur.	Eğer cihaz belli bir süre kullanılmadıysa, kumanda panosunun göstergesi enerji tasarruf moduna geçer.	Cihaz tekrar kullanılmaya başlanınca, örn. cihazın kapısı açılınca, gösterge yeniden normal aydınlatma moduna geçer.
Herhangi bir gösterge yanmıyor.	Elektrik kesintisi; sigorta kapalı; elektrik fişi prize iyi takılmamış.	Elektrik fişini takınız. Elektrik akımı olup olmadığı kontrol edilmelidir, sigortalar kontrol edilmelidir.
Cihaz soğutmuyor, ısı derecesi göstergesi ve aydınlatma yanıyor.	Sergileme modu devreye sokulmuştur.	Bir onay sesi duyuluncaya kadar, ısı derecesi ayar tuşunu resim 2 /1 10 saniye basılı tutunuz. Belli bir süre sonra, cihazınızın soğutup soğutmadığını kontrol ediniz.
Dondurucu bölümünün kapısı uzun süre açık kaldı; artık ayarlanmış sıcaklığa ulaşamıyor.	NoFrost sistemindeki evaporatör (soğuk üretici) aşırı oranda buz tutmuş ve bu nedenle tam otomatik buz çözme işlemini yapamıyor.	Evaporatörün buzunu çözmek için, dondurulmuş besinleri çekmeceler veya içine kondukları gözler ile birlikte cihazdan dışarı çıkarınız ve iyice izole ederek, serin bir yerde muhafaza ediniz. Cihazı kapatınız ve iteleyerek duvardan uzaklaştırınız. Cihazın kapısı açık bırakılmalıdır. Yaklaşık 20 dakika sonra, eriyen su cihazın arka yüzündeki buharlaşma kabının içine akmaya başlar. Bu işlem esnasında buharlaşma kabının taşmasını önlemek için, eriyen suyu bir sünger ile emerek kabın boşlmasını sağlayınız. Buharlaşma kabına artık buz suyu eriyip akmayınca, evaporatörün buzunu çözülmüş demektir. Cihazın içini temizleyiniz. Cihazı tekrar çalıştırınız.

Müşteri Hizmetleri

Size yakın bir yetkili servisimizi telefon rehberinde veya yetkili servis listesinde bulabilirsiniz. Müşteri hizmetlerine lütfen cihazın ürün numarasını (E-Nr.) ve imalat numarasını (FD-Nr.) belirtin.

Bu numaraları, tip levhasının üzerinde bulabilirsiniz. Resim 11

Cihazın ürün numarasını ve imalat numarasını bildirmek suretiyle, gereksiz gidip gelme masraflarını ve zaman kaybını önlemiş olursunuz. Böylelikle ilgili fazla masraflardan tasarruf etmiş olursunuz.

Arızalarda onarım siparişi ve danışma

Tüm ülkelerin iletişim bilgileri için, ekteki yetkili servis listesine bakınız.

TR 444 6333

Çağrı merkezini sabit hatlardan aramanın bedeli şehir içi ücretlendirme, Cep telefonlarından ise kullanılan tarifeye göre değişkenlik göstermektedir.

Kullanım Süresi: 10 YIL (Ürünün fonksiyonunu yerine getirebilmesi için gerekli yedek parça bulundurma süresi).

Garanti Şartları

- Malın ayıplı olduğunun anlaşılması durumunda tüketici, 6502 sayılı Tüketicinin Korunması Hakkında Kanunun 11 inci maddesinde yer alan;
 - Sözleşmeden dönme
 - Satış bedelinden indirim isteme,
 - Ücretsiz onarılmasını isteme,

- Satılanın ayıpsız bir misli ile değiştirilmesini isteme, haklarından birini kullanabilir.
- Tüketicinin bu haklarından ücretsiz onarım hakkını seçmesi durumunda satıcı; işçilik masrafı, değiştirilen parça bedeli ya da başka herhangi bir ad altında hiçbir ücret talep etmeksizin malın onarımını yapmak veya yaptırmakla yükümlüdür. Tüketici ücretsiz onarım hakkını üretici veya ithalatçıya karşı da kullanılabilir. Satıcı, üretici ve ithalatçı tüketicinin bu hakkını kullanmasından müteselsilen sorumludur.
- Tüketicinin, ücretsiz onarım hakkını kullanması halinde malın;
 - Garanti süresi içinde tekrar arızalanması,
 - Tamiri için gereken azami sürenin aşılması,
 - Tamirinin mümkün olmadığı için, yetkili servis istasyonu, satıcı, üretici veya ithalatçı tarafından bir raporla belirlenmesi durumlarında;
 tüketici malın bedel iadesini, ayıp oranında bedel indirimini veya imkan varsa malın ayıpsız misli ile değiştirilmesini satıcıdan talep edilir. Satıcı, tüketicinin talebini reddedemez. Bu talebin yerine getirilmemesi durumunda satıcı, üretici ve ithalatçı müteselsilen sorumludur.
- Malın kullanım kılavuzunda yer alan hususlara aykırı kullanılmasından kaynaklanan arızalar garanti kapsamı dışındadır.
- Tüketici, garantiden doğan haklarının kullanılması ile ilgili olarak çıkabilecek uyuşmazlıklarda yerleşim yerinin bulunduğu veya tüketici işleminin yapıldığı yerdeki Tüketici Hakem Heyetine veya Tüketici Mahkemesine başvurabilir.

Указания по безопасности и предупреждения

Прежде чем ввести прибор в эксплуатацию

Внимательно прочтите инструкцию по монтажу и эксплуатации! В ней содержится важная информация по установке, использованию и техническому обслуживанию прибора.

Изготовитель не несет никакой ответственности за последствия, если Вы не соблюдали указания и предупреждения, приведенные в инструкции по эксплуатации. Сохраните всю документацию для позднейшего использования или для передачи ее следующему владельцу прибора.

Техническая безопасность



Опасность возгорания
В трубах контура циркуляции хладагента имеется в небольшом количестве экологически безвредный, но горючий хладагент (R600a). Он не разрушает озоновый слой и не способствует развитию парникового эффекта. При вытекании хладагент может привести к травмам глаз или воспламенению.

При повреждении:

- Не подходите близко к бытовому прибору с открытым пламенем или какими-либо иными источниками воспламенения,
- хорошо проветрите помещение в течение нескольких минут,
- выключите холодильник и извлеките вилку из розетки,
- сообщите о повреждениях в сервисную службу.

Чем большее количество хладагента содержится в бытовом приборе, тем больше должно быть помещение, в котором он установлен. В слишком маленьких помещениях при утечке хладагента может образоваться горючая смесь паров хладагента с воздухом. На каждые 8 г хладагента должен приходиться как минимум 1 м³ помещения. Количество хладагента, содержащееся в Вашем бытовом приборе, приведено в фирменной табличке, расположенной внутри бытового прибора.

При установке прибора не допускать зажатия или повреждения сетевого шнура.

В случае повреждения сетевой шнур данного прибора заменяется изготовителем, сервисной службой или специалистом с соответствующей квалификацией. В связи с ненадлежащим образом выполненной установкой и ремонтом может возникнуть серьезная опасность для пользователя.

Ремонт производится только изготовителем, сервисной службой или специалистом с соответствующей квалификацией.

Разрешается использовать только оригинальные запчасти изготовителя. Только в отношении этих деталей изготовитель гарантирует, что они отвечают требованиям техники безопасности.

Не используйте многоконтактные розетки, удлинительные кабели или адаптеры.



Опасность возгорания

Переносные многоконтактные розетки или переносные сетевые узлы могут перегреться и стать причиной возгорания. Не устанавливайте переносные многоконтактные розетки или переносные сетевые узлы за прибором.

При эксплуатации

- Ни в коем случае не используйте электрические приборы внутри данного прибора (например, нагревательные приборы, электрические мороженицы и проч.). Взрывоопасность!

- Ни в коем случае не размораживайте и не чистите прибор с помощью пароочистителя! Пар может проникнуть в электрические детали и вызвать короткое замыкание. Опасность поражения электрическим током!
- Если это не указано производителем, не предпринимайте дополнительные меры, чтобы ускорить оттаивание. Взрывоопасность!
- Не используйте предметы с острым концом или острыми краями для удаления слоев инея или льда. Тем самым вы можете повредить трубки, по которым циркулирует хладагент. Брызги хладагента могут воспламениться или привести к поражению глаз.
- Не храните продукты с горючими газами-вытеснителями (например, аэрозольные баллончики), а также взрывоопасные вещества. Взрывоопасность!
- Не используйте цокольную подставку, выдвижные полки, дверцы и проч. в качестве подножки или опоры.
- Для размораживания и чистки извлеките вилку из розетки или отключите предохранитель. При извлечении вилки из розетки следует тянуть за вилку, а не за сетевой шнур.
- Крепкие алкогольные напитки храните только плотно закрытыми и в вертикальном положении.
- Не допускайте попадания масла или жира на пластиковые детали и уплотнитель дверцы. Иначе пластиковые детали и уплотнитель дверцы станут пористыми.
- Ни в коем случае не закрывайте и не загромождайте вентиляционные отверстия прибора.
- В морозильном отделении нельзя хранить жидкости в бутылках или жестяных банках (особенно газированные напитки). Бутылки и банки могут лопнуть!
- Замороженные продукты никогда не берите в рот сразу после извлечения из морозильного отделения. Опасность холодового ожога!

■ Предупреждение рисков для детей и подверженных опасности лиц

К подверженным опасности лицам относятся дети, лица с физическими и психическими

ограничениями или с ограниченным восприятием, а также лица, не обладающие достаточными знаниями для надежной эксплуатации прибора.

Убедитесь в том, что дети и подверженные опасности лица осознали грозящие опасности.

При использовании прибора дети и подверженные опасности лица должны находиться под присмотром или руководством лица, отвечающего за их безопасность.

Пользоваться прибором разрешается только детям старше 8 лет.

Во время чистки и технического обслуживания дети должны находиться под присмотром.

Ни в коем случае не позволять детям играть с прибором.

- Избегайте продолжительного контакта рук с замороженными продуктами, льдом или трубками испарителя и проч. Опасность холодового ожога!

Если в доме есть дети

- Упаковку и ее составные части нельзя отдавать детям. Существует опасность удушья, которой дети подвергаются, закрывшись в картонной коробке или запутавшись в полиэтиленовой пленке!
- Холодильник – это не игрушка для детей!
- В случае с холодильниками, дверь которых закрывается на замок: храните ключ от замка в недоступном для детей месте!

Общая информация

Бытовой прибор предназначен

- для охлаждения и замораживания продуктов питания,
- для приготовления пищевого льда.

Этот прибор предназначен для использования в частном домашнем хозяйстве и в бытовых условиях.

Контур циркуляции хладагента проверен на герметичность.

Данный прибор соответствует действующим нормам технической безопасности и отвечает предписаниям по защите от радиопомех.

Данный прибор предназначен для использования на высоте не более 2000 м над уровнем моря.

Указания по утилизации

Утилизация упаковки

Весь упаковочный материал, который использовался для защиты холодильника при транспортировке, пригоден для вторичной переработки и не наносит вреда окружающей среде. Внесите, пожалуйста, и Вы свой вклад в дело защиты окружающей среды, сдав упаковку на экологичную утилизацию.

Информацию об актуальных методах утилизации Вы можете получить у Вашего торгового агента или в административных органах по месту Вашего жительства.

Утилизация старого холодильника

Отслужившие свой срок старые бытовые холодильники нельзя рассматривать как бесполезные отходы! Благодаря экологичной утилизации из них удастся получить ценное сырье.



Данный прибор имеет отметку о соответствии европейским нормам 2012/19/EU утилизации электрических и электронных приборов (waste electrical and electronic equipment - WEEE).

Данные нормы определяют действующие на территории Евросоюза правила возврата и утилизации старых приборов.



Предупреждение

В случае с отслужившими свой срок холодильниками:

1. Извлеките вилку из розетки.
2. Отрежьте сетевой шнур и уберите его подальше вместе с вилкой.
3. Полки, боксы и контейнеры извлекать не следует, чтобы дети не смогли забраться внутрь холодильника!
4. Не позволяйте детям играть со старым бытовым прибором. Опасность удушья!

В холодильной установке содержится хладагент, а в изоляции бытового прибора – газы, утилизация которых должна проводиться квалифицированно. Трубки контура, по которому циркулировал хладагент, ни в коем случае не должны быть повреждены до начала утилизации.

Объем поставки

Убедитесь в отсутствии возможных повреждений элементов при транспортировке, освободив все элементы от упаковки.

С рекламациями обращайтесь в магазин, в котором Вы приобрели прибор, или в нашу сервисную службу.

В комплект поставки входят следующие элементы:

- Напольный прибор
- Оснащение (в зависимости от модели)
- Мешок с монтажными материалами
- Инструкция по эксплуатации
- Инструкция по монтажу
- Книжка сервисной службы
- Гарантия в приложении
- Информация о расходе электроэнергии и шумах

Место установки

Лучше всего устанавливать бытовой прибор в сухом, хорошо проветриваемом помещении. На прибор не должны попадать прямые солнечные лучи, и он не должен располагаться в непосредственной близости от таких источников тепла, как плита, радиатор отопления и пр. Если этого не удастся избежать, то необходимо воспользоваться подходящей плитой из изолирующего материала или расположить прибор таким образом, чтобы выдерживались следующие расстояния до источника тепла:

- До электрической и газовой плит: 3 см.
- До плиты, отапливаемой жидким топливом или углем: 30 см.

Пол на месте установки прибора не должен прогибаться, при необходимости его следует упрочнить. Возможные неровности пола следует компенсировать с помощью подложек.

Расстояние от стенки

Рис. 3

Для бытового прибора не требуется соблюдать бокового расстояния от стенки. Контейнеры и полки, тем не менее, можно полностью извлечь.

Температура окружающей среды и вентиляция

Температура окружающей среды

Холодильник относится к определенному климатическому классу. В зависимости от климатического класса, холодильник может работать при приведенных ниже значениях температуры окружающей среды.

Климатический класс прибора указан в его типовой табличке (рисунок 11).

Климатический класс	Допустимая температура окружающей среды
SN	от +10 °С до +32 °С
N	от +16 °С до +32 °С
ST	от +16 °С до +38 °С
T	от +16 °С до +43 °С

Указание

Полная функциональность прибора обеспечена в пределах температуры окружающей среды указанного климатического класса. Если прибор климатического класса SN работает при более низкой температуре окружающей среды, то повреждения прибора можно исключить до температуры +5 °С.

Вентиляция

Рисунок 4

Воздух у задней стенки прибора и у его боковых стенок нагревается. Нагретый воздух должен иметь возможность беспрепятственно подниматься вверх. Иначе холодильный агрегат должен будет работать с повышенной нагрузкой. А это повышает расход электроэнергии. Поэтому: Никогда не закрывайте и ничем не загораживайте вентиляционные отверстия холодильника!

Подключение бытового прибора

После установки бытового прибора следует подождать как минимум 1 час и только потом вводить его в эксплуатацию. Так как не исключено, что во время транспортировки бытового прибора содержащееся в компрессоре масло могло попасть в систему охлаждения. Перед вводом бытового прибора в эксплуатацию в первый раз следует почистить его изнутри (смотрите раздел «Чистка бытового прибора»).

Подключение к электросети

Розетка должна находиться вблизи прибора и в свободно доступном месте также после установки прибора.

Предупреждение

Опасность поражения электрическим током!

Если длина сетевого шнура недостаточна, ни в коем случае не используйте многоконтактные розетки или удлинительные кабели. Обратитесь в сервисную службу, где вам предложат альтернативные варианты.

Прибор соответствует классу защиты I. Прибор подключайте к сети переменного тока 220–240 В/50 Гц с помощью установленной надлежащим образом розетки с защитным заземлением. Сетевая розетка должна быть оснащена предохранителем на 10–16 А.

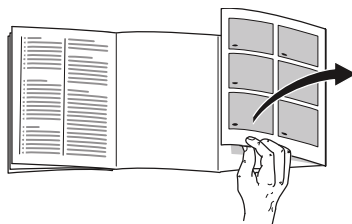
Применительно к бытовым приборам, которые будут эксплуатироваться в неевропейских странах, необходимо проверить, чтобы значение напряжения и вид тока совпадали с параметрами электросети пользователя. Эти данные приведены на типовой табличке холодильника, рисунок **11**.

Предупреждение

Прибор нельзя ни в коем случае подключать к электронным энергосберегающим штекерам.

Для использования наших бытовых приборов можно применять ведомые сетью и синусные инверторы. Ведомые сетью инверторы применяются в фотогальванических энергетических установках, которые подсоединяются непосредственно к общественной сети энергоснабжения. В изолированных условиях (напр., на кораблях или в горных приютах) без непосредственного подсоединения к общественной электросети необходимо применение синусных инверторов.

Знакомство с бытовым прибором



Откройте, пожалуйста, последние страницы с рисунками. Данная инструкция по эксплуатации действительна для нескольких моделей.

Комплектация моделей может отличаться друг от друга.

Поэтому в рисунках не исключены некоторые отличия.

Рисунок 1

* Не во всех моделях.

- A Холодильное отделение
 - B Морозильное отделение
- 1–4 Элементы управления
 - 5 Полка для маленьких бутылок
 - 6 Полка для больших бутылок
 - 7 Освещение
 - 8 Регулятор температуры
 - 9 Бокс для овощей
 - 10* Поддон для замораживания
 - 11 Бокс для замороженных продуктов (маленький)

Элементы управления

Рисунок 2

- 1 **Кнопка установки температуры**
С помощью этой кнопки устанавливается требуемая температура.
- 2 **Индикация «super» (Морозильное отделение)**
Светится, если включена функция суперзамораживания.
- 3 **Индикация температуры в морозильном отделении**
Цифры соответствуют значениям установленной для морозильного отделения температуры в °C.
- 4 **Индикация экономного режима**
Выделяется, если включен экономный режим.

Включение прибора

Рисунок 2

1. Вставьте штекер в розетку.
2. Прозвучит предупредительный сигнал. Индикация температуры 3 мигает.
3. Нажмите кнопку установки температуры 1. Предупредительный сигнал выключается.

Индикация температуры 3 светится, если установленная температура в морозильном отделении достигнута.

Изготовитель рекомендует следующие установки:

- Холодильное отделение: средняя установка
- Морозильное отделение: -18 °C

Храните скоропортящиеся продукты в холодильном отделении.

Указания по эксплуатации

- Прибору может потребоваться после включения несколько часов для достижения установленного уровня температуры.
- Благодаря полностью автоматической системе «NoFrost» внутри морозильного отделения лед не образуется. В размораживании отделения больше нет необходимости.
- Передняя сторона корпуса местами слегка подогревается, что препятствует образованию конденсата вокруг уплотнителя двери.

- Если после закрывания морозильного отделения дверцу не удастся сразу снова открыть, то подождите, пожалуйста, некоторое время, пока компенсируется создавшееся внутри отделения пониженное давление.

Установка температуры

Холодильное отделение

Установите регулятор температуры, рисунок **1**/8, в необходимом Вам установочном положении.

Мы рекомендуем установить на отметку.

Изменение установки по часовой стрелке понижает температуру в холодильном отделении.

При температуре в помещении ниже 16 °С установите прибор на немного более высокую температуру. При температуре в помещении выше 32 °С установите прибор на немного более низкую температуру.

Очень холодную установку рекомендуется включать только на некоторое время в следующих случаях:

- частое открывание дверей,
- загрузка большого количества продуктов в холодильное отделение.

Морозильное отделение

Температура регулируется в диапазоне от -18 °С до -24 °С.

Нажимайте на кнопку установки температуры 1 до тех пор, пока не будет установлена необходимая температура в морозильном отделении.

Последнее установленное значение сохраняется. Индикация температуры 3 показывает установленную температуру.

есо

После включения функции «есо» бытовой прибор переходит на работу в режиме экономии электроэнергии.

Прибор устанавливает автоматически следующую температуру:

- морозильное отделение: - 16 °С

Включение функции есо

Нажимайте на кнопку установки температуры 1 тех пор, пока не будет выделена индикация «есо».

Функции сигнализации

Рисунок **2**

Предупредительный сигнал при открытой дверце

Предупредительный сигнал при открытой дверце (непрерывный звуковой сигнал) включается, если дверца прибора остается открытой дольше одной минуты. После закрывания двери предупредительный сигнал выключается.

Сигнализация предупреждения о повышении температуры

Предупредительный сигнал при повышении температуры включается, если в морозильном отделении становится слишком тепло и замороженные продукты могут разморозиться.

Индикация температуры, рисунок 2/3, мигает.

Предупредительная сигнализация может включиться, даже если замороженным продуктам не угрожает размораживание, в следующих случаях:

- при вводе прибора в эксплуатацию,
- при загрузке большого количества свежих продуктов питания,
- при слишком долго открытой дверце морозильного отделения.

Указание

Подтаявшие или полностью размороженные продукты нельзя снова замораживать. Только после тепловой обработки продуктов (их можно сварить или поджарить) готовые блюда можно снова заморозить.

Но готовые блюда нельзя хранить так долго, как свежие продукты.

Отключение предупредительной сигнализации

Рисунок 2

Нажмите на кнопку установки температуры 1, чтобы выключить предупредительный сигнал.

Полезный объем

Данные, касающиеся полезного объема, Вы сможете найти, внутри своего бытового прибора на типовой табличке. Рисунок 11

Использование всего объема морозильного отделения

Для того, чтобы разместить максимальное количество замороженных продуктов, контейнеры можно извлечь. Продукты можно затем складывать прямо на полке и на дне морозильного отделения.

Указание

Избегайте касания продуктами питания задней стенки. Это нарушит циркуляцию воздуха.

Продукты питания или упаковки могут примерзнуть к задней стенке.

Извлечение элементов оснащения
Вытяните бокс для замороженных продуктов до упора, приподнимите спереди и извлеките. Рисунок 7

Холодильное отделение

Холодильное отделение обеспечивает идеальные условия для хранения мяса, колбасы, рыбы, молочных продуктов, яиц, готовых блюд и выпечки.

При размещении продуктов учитывать следующее

- Загружайте свежие, неповрежденные продукты. Таким образом дольше сохранятся качество и свежесть продуктов.

- Следить за указанными изготовителями сроками годности или сроками хранения готовых продуктов и развесных товаров.
- Для сохранения аромата, цвета и свежести загружать продукты в плотной упаковке или в закрытой посуде. Таким образом можно избежать изменения вкуса продуктов, а также изменения цвета пластмассовых деталей в холодильном отделении.
- Горячие блюда и напитки сначала охладить а потом поставить в прибор.

Указание

Во избежание нарушения циркуляции воздуха, не загораживайте продуктами отверстия для выхода воздуха. Продукты питания, расположенные непосредственно перед этими отверстиями, могут заморозиться в потоке холодного воздуха.

Обратить внимание на различные температурные зоны в холодильном отделении

Благодаря циркуляции воздуха в холодильном отделении возникают различные температурные зоны:

- Зона самой низкой температуры находится в верхней части холодильного отделения.

Указание

Храните в зоне самой низкой температуры скоропортящиеся продукты (напр.: рыбу, колбасу, мясо).

- Зона самой высокой температуры находится в двери в самом низу и в контейнере для овощей.

Указание

Храните в зоне самых высоких температур, напр., твердый сыр и масло. Таким образом, аромат сыра может развиваться дальше, а консистенция масла останется мягкой.

Контейнер для овощей

Рисунок 1/9

При высокой влажности воздуха листовые овощи остаются дольше свежими. Остальные овощи и фрукты должны храниться при более низкой влажности воздуха.

Влажность воздуха в контейнере для овощей зависит от количества хранящихся в нем продуктов.

Указание

Слишком высокая влажность воздуха может привести к образованию капель конденсата, что в свою очередь способствует гниению продуктов.

Морозильное отделение

Использование морозильного отделения

- Для хранения замороженных продуктов питания.
- Для приготовления кубиков пищевого льда.
- Для замораживания свежих продуктов.

Указание

Следите, пожалуйста, за тем, чтобы дверца морозильного отделения всегда была закрыта! Так как при открытой двери замороженные продукты могут подтаять и стенки морозильного отделения покрываются толстым слоем льда. Кроме того: расточительно расходуется электроэнергия из-за повышенного потребления тока!

Макс. производительность замораживания

Данные по макс. производительности замораживания в течение 24 часов Вы найдете в фирменной табличке.

Рисунок **11**

Условия для максимальной производительности замораживания

- Включите суперзамораживание перед загрузкой свежих продуктов (см. раздел «Суперзамораживание»).
- Извлечь контейнеры; продукты сложить прямо на полке и на дне морозильного отделения.
- Большое количество продуктов лучше всего замораживать в самом верхнем отделении. Там они замораживаются очень быстро и благодаря этому в щадящих условиях.

Замораживание и хранение продуктов

Покупка замороженных продуктов

- Упаковка не должна быть повреждена.
- Обращайте внимание на указанный срок хранения.
- Температура в морозильном шкафу в магазине должна быть -18°C или ниже.
- Замороженные продукты перед транспортировкой следует по возможности сложить в термоизолирующую сумку и дома побыстрее загрузить в морозильное отделение.

При размещении продуктов учитывать следующее

- Большое количество продуктов предпочтительнее замораживать в самом верхнем отделении. Там они замораживаются особенно быстро, а значит и бережно.
- Расположить продукты свободно в отделениях или в боксах для замороженных продуктов.

Указание

Уже замороженные продукты не должны соприкасаться со свежими продуктами, предназначенными для замораживания. При необходимости, полностью замороженные продукты переложить в другие боксы для замороженных продуктов.

Хранение замороженных продуктов

Бокс для замороженных продуктов задвиньте до упора в целях обеспечения оптимальной циркуляции воздуха.

Замораживание свежих продуктов питания

Для замораживания следует брать только абсолютно свежие продукты питания.

Чтобы как можно лучше сохранить пищевую ценность, аромат и цвет, овощи следует перед замораживанием бланшировать. Бланширование не требуется для баклажанов, сладкого стручкового перца, кабачков и спаржи.

Литературу о замораживании и бланшировании Вы найдете в книжных магазинах.

Указание

Постарайтесь, чтобы предназначенные для замораживания свежие продукты питания не соприкасались с уже замороженными продуктами.

- Замораживать можно: выпечку, рыбу и морепродукты, мясо, дичь, птицу, овощи, фрукты, зелень, яйца без скорлупы, молочные продукты, напр., сыр, масло и творог, готовые блюда и остатки приготовленных блюд, напр., супы, рагу, приготовленные мясо и рыбу, блюда из картофеля, запеканки и сладкие блюда.

- Замораживать нельзя: употребляемые в пищу преимущественно в сыром виде овощи, напр., листовые салаты или редиска, яйца в скорлупе, виноград, целые яблоки, груши, персики, сваренные вкрутую яйца, йогурт, простоквашу, сметану, крем-фреш и майонез.

Упаковка продуктов для замораживания

Упакуйте продукты герметично, чтобы они не потеряли вкус и не вымерзли.

1. Положите продукты в упаковку.
2. Выдавите из упаковки весь воздух.
3. Герметично закройте упаковку.
4. Укажите на упаковке, что в ней находится, и когда продукты были заморожены.

В качестве упаковки можно использовать:

пленку из различных синтетических материалов, рукава из полиэтиленовой пленки, алюминиевую фольгу, специальные емкости для замораживания продуктов.

Всю эту продукцию Вы найдете в специализированных магазинах.

В качестве упаковки нельзя использовать:

упаковочную или пергаментную бумагу, целлофан, мешки для мусора и использованные пакеты для покупок.

Для закрывания упаковки можно использовать:

резиновые кольца, пластмассовые зажимы, шпагат, морозостойкую клейкую ленту и проч.

Мешки и рукава из полиэтиленовой пленки можно заварить с помощью специального сварочного аппарата.

Продолжительность хранения замороженных продуктов

Срок хранения продуктов питания зависит от их вида.

При температуре -18 °С:

- Рыба, колбаса, готовые блюда, хлебо-булочные изделия:
до 6 месяцев
- Сыр, птица, мясо:
до 8 месяцев
- Овощи, фрукты:
до 12 месяцев

Суперзамораживание

Чтобы в замороженных продуктах сохранились витамины и питательные вещества, а также не испортились их привлекательный вид и хороший вкус, продукты должны как можно быстрее промерзнуть до самой сердцевины.

Включите суперзамораживание за несколько часов перед загрузкой свежих продуктов в целях предупреждения нежелательного повышения температуры.

В общем и целом достаточно 4–6 часов.

После включения данной функции прибор работает непрерывно. В морозильном отделении устанавливается очень низкая температура.

Для использования максимальной производительности замораживания, включите суперзамораживание за 24 часа до загрузки свежих продуктов.

Небольшие количества продуктов питания (до 2 кг) можно замораживать без включения суперзамораживания.

Указание

Во время работы суперзамораживания эксплуатационный шум может усилиться.

Включение и выключение

Рисунок 2

Нажимать на кнопку установки температуры 1 до тех пор, пока не засветится индикация «Super» 2.

Суперзамораживание выключается автоматически прибл. через 2½ дня.

Размораживание продуктов

В зависимости от вида и способа приготовления продуктов можно выбрать один из следующих способов их размораживания:

- при комнатной температуре,
- в холодильном отделении,
- в электрическом духовом шкафу, с обдувом горячим воздухом или без,
- в микроволновой печи.



Внимание

Подтаявшие или полностью размороженные продукты нельзя снова замораживать. Только после тепловой обработки продуктов (их можно сварить или поджарить) готовые блюда можно снова заморозить.

Но их нельзя хранить так же долго, как и замороженные свежие продукты.

Специальное оснащение

При необходимости Вы можете переставить полки, расположенные внутри холодильного отделения и на его дверце, в другое место:

- Потяните полку на себя, опустите ее спереди и затем извлеките ее сбоку из направляющих. Рисунок **6**
- Дверную полку приподнимите и снимите. Рисунок **5**

Специальное оснащение

(не во всех моделях)

Отделение для масла и сыра

Отделение для масла открывается легким нажатием на середину крышки отделения.

Для чистки отделение приподнять снизу и извлечь.

Аккумулятор холода

При выключении электроэнергии или выходе холодильника из строя аккумулятор холода препятствует слишком быстрому нагреванию находящихся в морозильном отделении замороженных продуктов. Максимальное увеличение срока хранения возможно с помощью аккумулятора холода, положенного на продукты в верхнем отделении.

Аккумулятор холода можно также извлечь на время из морозильного отделения для охлаждения продуктов питания, например, в сумке из изолирующего материала.

Ванночка для льда

Рисунок **8**

1. Ванночку для льда заполните на $\frac{3}{4}$ питьевой водой и поместите в морозильное отделение.

2. Примерзшую ванночку для льда отделять только тупым предметом (ручкой ложки).

3. Для извлечения кубиков льда, ванночку немного подержать под проточной водой или слегка изогнуть.

Комплект для завтрака

Рисунок **9**

Контейнеры комплекта для завтрака можно вынимать и заполнять по отдельности.

Полка для бутылок

Рисунок **10**

На эту полку можно складывать бутылки, не боясь, что они упадут.

Наклейка «ОК»

(не для всех моделей)

С помощью наклейки «ОК» можно проверить, достигаются ли в холодильном отделении рекомендуемые для сохранности продуктов диапазоны температур не выше +4 °С. Если наклейка не показывает «ОК», то температуру следует постепенно снизить.

Указание

После ввода прибора в эксплуатацию может пройти до 12 часов, пока температура достигнет заданного уровня.



Правильная установка

Выключение прибора и вывод его из эксплуатации

Выключение прибора

Извлеките вилку из розетки или выключите предохранитель.

Холодильный агрегат выключается.

Вывод прибора из эксплуатации

Если Вы не будете использовать прибор в течение продолжительного времени:

1. Извлечь штепсельную вилку из розетки или выключить предохранитель.
2. Очистите прибор.
3. Оставить дверцу прибора открытой.

Чистка прибора

Внимание

- Не использовать средства для чистки и растворители, содержащие песок, хлорид или кислоты.
- Не использовать абразивные и царапающие губки.
На металлических поверхностях может появиться коррозия.
- Никогда не мыть полки и контейнеры в посудомоечной машине.
Детали могут деформироваться!

При мойке не допускайте попадания воды

- на элементы управления
- на освещение
- в вентиляционные отверстия
- в отверстия разделительной панели

Выполните следующие действия:

1. Извлечь штепсельную вилку из розетки или выключить предохранитель.
2. Извлечь замороженные продукты и положить их в прохладное место. Положить на продукты питания аккумуляторы холода (если таковые имеются).
3. Не допускайте попадания моющей воды в элементы управления, систему освещения, вентиляционные отверстия или отверстия перегородки!
Очистить прибор мягкой тряпочкой и теплой водой с небольшим количеством моющего средства с нейтральным pH.
4. Уплотнитель дверцы протереть только чистой водой и затем тщательно вытереть насухо.
5. После чистки: снова подключите прибор к электросети.
6. Загрузить обратно замороженные продукты.

Специальное оснащение

Для чистки все передвижные элементы прибора вынимаются.

Извлечение полок в двери

Рисунок **5**

Приподнимите вверх полки и извлеките.

Извлечение стеклянных полок

Потяните стеклянные полки к себе и извлеките.

Извлечение бокса

Рисунок 7

Вытяните бокс до упора и извлеките его, приподняв спереди.

Извлечение бокса для замороженных продуктов

Рисунок 7

Вытяните бокс для замороженных продуктов до упора, приподнимите спереди и извлеките.

Освещение (на светодиодах)

Ваш холодильник оснащен системой освещения на светодиодах, которая не нуждается в техобслуживании.

Ремонт освещения данного типа должен проводиться лишь силами специалистов уполномоченного сервисного центра или квалифицированными специалистами, имеющими на это разрешение.

Как сэкономить электроэнергию

- Бытовой прибор следует установить в сухом, хорошо проветриваемом помещении! Он не должен стоять на солнце или поблизости от источника тепла (например, радиатора отопления, электроплиты).

При необходимости воспользуйтесь плитой из изолирующего материала.

- Теплые продукты и напитки перед размещением в приборе следует охладить.
- Замороженные продукты поместите для размораживания в холодильное отделение, чтобы использовать холод замороженных продуктов для охлаждения продуктов.
- Закрывайте двери прибора как можно быстрее.
- Чтобы обеспечить минимальный расход энергии: соблюдайте небольшое расстояние сбоку от стены.
- Порядок размещения элементов оснащения не влияет на потребление электроэнергии прибором.

Рабочие шумы

Обычные шумы

Указание

При включенном суперзамораживании шум во время работы может усилиться.

Гудение

Работают двигатели (напр., холодильные агрегаты, вентилятор).

Бульканье или жужжание

Хладагент течет по трубам.

Щелчки

Включаются или выключаются двигатель, выключатель или магнитные клапаны.

Потрескивание

Происходит автоматическое размораживание.

Как избежать посторонних шумов

Холодильник стоит неровно

Выровняйте, пожалуйста, холодильник с помощью ватерпаса. Отрегулируйте по высоте винтовые ножки холодильника или подложите что-нибудь под него.

Холодильник «зажат»

Отодвиньте, пожалуйста, холодильник от стоящей рядом мебели или других бытовых приборов.

Шатающиеся или заклинившие боксы или полки

Проверьте, пожалуйста, как установлены съемные детали и, при необходимости, расположите их правильно.

Бутылки или прочие емкости прикасаются друг к другу

Немного отодвиньте, пожалуйста, бутылки или емкости друг от друга.

Самостоятельное устранение мелких неисправностей

Прежде чем вызвать Службу сервиса:

проверьте, не сможете ли Вы устранить неполадки самостоятельно с помощью приведенных ниже рекомендаций.

Вам придется оплачивать вызов специалистов Службы сервиса для консультации самостоятельно – даже во время гарантийного периода!

Неисправность	Возможная причина	Устранение
Фактическое значение температуры сильно отличается от установленного.		В некоторых случаях достаточно выключить холодильник на 5 минут. Если температура слишком высокая, то проверьте через несколько часов, не приблизилось ли фактическое значение температуры к заданному. Если температура слишком низкая, то проверьте ее на следующий день еще раз.

Неисправность	Возможная причина	Устранение
Прозвучит предупредительный сигнал. Мигает индикация температуры. Рисунок 2 /3	Неисправность - в морозильном отделении слишком тепло!	Чтобы выключить предупредительный сигнал нажмите на кнопку установки температуры, рисунок 2 /1.
	Продукты могут разморозиться.	
	Бытовой прибор открыт.	Закройте бытовой прибор.
	Закрываются вентиляционные отверстия прибора.	Обеспечьте надлежащую вентиляцию прибора.
	За один раз было загружено слишком много продуктов, предназначенных для замораживания.	Не превышать макс. производительность замораживания.
		После устранения неполадки индикатор температуры прекращает мигать.
В морозильном отделении слишком высокая температура.	Слишком часто открывались дверцы бытового прибора.	Не открывайте бытовой прибор без надобности.
	Закрываются вентиляционные отверстия.	Уберите мешающие предметы.
	Замораживание слишком большого количества свежих продуктов питания.	Загружайте морозильное отделение с учетом макс. производительности замораживания.
Освещение не функционирует.	Система освещения на светодиодах вышла из строя.	Смотрите раздел «Освещение (на светодиодах)».
	Бытовой прибор оставался слишком долгое время открытым. Освещение отключится спустя ок. 10 минут.	После открытия и закрытия дверцы прибора освещение включается снова.
Пониженная яркость освещения элементов управления.	Если прибором некоторое время не пользовались, то дисплей панели управления переключается в режим экономии энергии.	Как только бытовым прибором снова начинают пользоваться, например, открывают его дверцу, дисплей снова переходит на нормальное освещение.

Неисправность	Возможная причина	Устранение
Не горит ни один из индикаторов.	Отключили электроэнергию; сработал предохранитель; вилка «болтается» в розетке.	Подключите штепсельную вилку к сети. Посмотрите, есть ли напряжение в электросети, проверьте предохранители.
Прибор не нагнетает холода, индикация температуры и освещение светятся.	Включен демонстрационный модус.	Нажимайте 10 секунд на кнопку установки температуры рисунок 2 / 1, пока не зазвучит подтверждающий сигнал. Проверьте через некоторое время, нагнетает ли Ваш бытовой прибор холод.
Дверца морозильного отделения была слишком долго открытой; установленная температура больше не достигается.	Испаритель (производитель холода) в системе «NoFrost» слишком сильно обледенел, из-за чего он больше не может оттаивать полностью автоматически.	<p>На время размораживания испарителя необходимо извлечь замороженные продукты вместе с ящиками и положить их на хранение в прохладное место, позаботившись об их хорошей теплоизоляции.</p> <p>Выключите холодильник и отодвиньте его от стены. Оставьте дверцу прибора открытой. Примерно через 20 минут талая вода начнет стекать в поддон для испарения, расположенный на задней стенке холодильника.</p> <p>Во избежание переливания талой воды через край поддона испарителя следует несколько раз собрать излишки воды с помощью губки.</p> <p>Когда вода перестает стекать в поддон, испаритель оттаял. Проведите чистку бытового прибора изнутри. Введите холодильник в эксплуатацию.</p>

Сервисная служба

Ближайшую сервисную службу Вы найдете в телефонном справочнике или в списке сервисных служб. При обращении в сервисную службу укажите номер изделия (E-Nr.) и заводской номер (FD-Nr.) прибора.

Эти данные Вы найдете на типовой табличке. Рисунок **11**

Помогите, пожалуйста, избежать ненужных выездов специалистов, правильно указав заводской номер и номер изделия. Тем самым Вы сэкономите связанные с этим дополнительные расходы.

Заявка на ремонт и консультация при неполадках

Контактные данные всех стран Вы найдёте в приложенном списке сервисных центров.

Varnostna navodila in opozorila

Pred prvo vključitvijo aparata

Skrbno preberite priloženo navodilo za uporabo in navodilo za montažo! Tako boste dobili važne informacije o montaži, uporabi in vzdrževanju aparata.

Proizvajalec ne odgovarja za posledice neupoštevanja navodil in opozoril iz navodila za uporabo. Spravite vse papirje za poznejšo uporabo ali novega lastnika.

Tehnična varnost



Nevarnost požara

V ceveh hladilnega krogotoka je majhna količina okolju prijaznega, vendar gorljivega hladilnega sredstva (R600a). Slednje ne škoduje ozonski plasti in ne poveča učinka tople grede. Če hladilno sredstvo izstopa, lahko poškoduje oči ali pa zagori.

V primeru poškodb

- Odmaknite od aparata ogenj in vire toplote.
- Prostor dobro prezračite nekaj minut.

- Izklop aparata in izklop za dalj časa in izvlecite omrežni vtič.
- Obvestite servisno službo.

Čim več hladilnega sredstva je v aparatu, mora aparat biti postavljen v tem večjem prostoru. V malem prostoru, v primeru uhajanja sredstva, lahko nastane vnetljiva mešanica plina in zraka.

Na 8 g hladilnega sredstva mora biti najmanj 1 m³ prostora. Količina hladilnega sredstva v vašem aparatu je označena na tipski ploščici v notranjosti aparata.

Pri postavitvi aparata pazite, da omrežni priključni vodnik ni ukleščen ali poškodovan.

Če se omrežni vod tega aparata poškoduje, ga mora zamenjati proizvajalec aparata, servisna služba ali podobno usposobljeno strokovno osebje. Nestrokovna instalacija in popravila lahko močno ogrozijo uporabnika.

Popravila sme izvajati samo proizvajalec naprave, servisna služba ali podobno usposobljene osebe.

Lahko uporabljate le originalne dele proizvajalca. Le za te dele, proizvajalec jamči, da izpolnjujejo varnostne zahteve.

Ne uporabljajte razdelilnih vtičnic, podaljševalnih kablov ali adapterjev.



Nevarnost požara

Prenosne razdelilne vtičnice ali prenosni omrežni deli se lahko pregrejejo in povzročijo požar.

Prenosnih razdelilnih vtičnic ali prenosnih omrežnih delov ne nameščajte za aparatom.

Med uporabo

- Znotraj aparata nikoli ne uporabljajte drugih električnih aparatov (npr. grelcev, električnih aparatov za pripravo ledu itd.). Nevarnost eksplozije!
- Nikoli ne uporabljajte parnih čistilcev za čiščenje ali odtajevanje aparata! Para lahko pride v stik z električnimi komponentami v aparatu, kar lahko povzroči kratek stik. Nevarnost udara električnega toka!
- Razen navodil proizvajalca ne izvajajte nobenih drugih ukrepov, ki bi pospešili odtaljevanje. Nevarnost eksplozije!
- Za odstranjevanje plasti ivja in ledu ne uporabljajte špičastih predmetov ali predmetov z ostrimi robovi. Tako bi lahko poškodovali cevi za hladilno sredstvo. Hladilno sredstvo vam lahko pride v oči in jih poškoduje, ali se vname.
- V aparatu ne shranjujte produktov z vnetljivimi plini (npr. razpršil) ali eksplozivnih materialov. Nevarnost eksplozije!
- Ne stojte na podstavku, vložkih, vratih in jih ne uporabljajte kot stojalo.
- Pred odtaljevanjem in čiščenjem iztaknite omrežni vtič ali izklopite varovalko. Potegnite za omrežni vtič in ne za priključni kabel.
- Visokoodstotni alkohol shranjujte samo v dobro zaprtih steklenicah in v navpičnem položaju.
- Delov iz plastike in tesnil na vratih ne smete umazati z oljem ali mastjo. V nasprotnem lahko postanejo deli iz plastike in tesnila na vratih porozni.
- Odprtina za dovod in odvod zraka na aparatu ne sme biti pokrita ali zaprta.
- V zamrzovalnem prostoru ne smete hraniti tekočin v steklenicah in pločevinkah (zlasti ne pijač, ki vsebujejo ogljikov dioksid). Steklenice in pločevinke se lahko razpočijo!
- Zamrznjenih živil ne smete nikoli dati v usta, takoj potem, ko ste jih vzeli iz zamrzovalnega prostora. Nevarnost zmrzlin!

■ Zmanjšanje tveganj za otroke in ogrožene osebe:

Med ogrožene sodijo otroci in osebe, ki si telesno, psihično ali v svojem zaznavanju omejene ter osebe, ki nimajo zadostnega znanja o varni uporabi aparata.

Poskrbite, da bodo otroci in ogrožene osebe razumeli nevarnosti, ki jih lahko povzroči rokovanje z aparatom.

Oseba, odgovorna za varnost, mora otroke in ogrožene osebe nadzorovati ali voditi pri rokovanju z aparatom.

Aparat smejo uporabljati le otroci, starejši od 8 let.

Pri čiščenju in vzdrževanju morate otroke nadzorovati.

Otrokom nikoli ne dovolite, da se igrajo z aparatom.

- Izogibajte se daljšega stika rok z zamrznjenimi živili, ledom ali cevmi izparilnika itd. Nevarnost zmrzlin!

Otroci v družini

- Ne dovolite otrokom, da se igrajo z embalažo. Nevarnost zadušitve v zvitih kartonskih škatlah in folijah!
- Aparat ni igrača za otroke!

- V primeru, da je aparat opremljen s ključavnico: ključ shranite izven dosega otrok!

Splošni določila

Aparat je primeren

- za ohlajevanje, zamrzovanje živil,
- za izdelavo ledu.

Ta naprava je namenjena za uporabo v gospodinjstve namene v zasebnem okolju.

Sistem hladilnega kroženja je preizkušen glede neprepustnosti.

Ta aparat ustreza varnostnim predpisom, ki veljajo za električne aparate, in je zaščiten pred radijskimi motnjami.

Ta aparat je namenjen uporabi na območjih do maksimalno 2000 metrov nadmorske višine.

Navodila za odlaganje dotrajanega aparata

Odlaganje embalaže novega aparata

Embalaža ščiti vaš aparat pred poškodbami med transportom. Vsi uporabljeni materiali so okolju prijazni in se jih lahko reciklira. Prosimo, da pomagate pri tem: odložite embalažo okolju prijazno.

O sodobnih načinih odlaganja se pozanimajte pri vašem strokovnem prodajalcu, ali pri vaši pristojni lokalni upravi.

Stari aparat odpeljite na odpad

Stari aparati niso brezvreden odpad! Z okolju prijaznim odlaganjem se lahko reciklirajo vredne surovine.



Ta naprava je označena v skladu z evropsko smernico o odpadni električni in elektronski opremi (waste electrical and electronic equipment - WEEE).

V okviru smernice sta določena prevzem in recikliranje starih naprav, ki veljata v celotni Evropski uniji.

Svarilo

Pri odsluženih aparatih

1. Izvlecite omrežni vtič.
2. Prerežite priključno vrv in jo odstranite skupaj z omrežnim vtičem.
3. Ne jemljite polic in posod ven, da bo otrokom težje, da splezajo v aparat!
4. Ne dovolite otrokom, da se igrajo z odsluženim aparatom. Nevarnost zadušitve!

Hladilne naprave vsebujejo hladilna sredstva in izolacijske pline. Hladilna sredstva in izolacijski plini zahtevajo pravilno odlaganje. Cevi, ki se uporabljajo za cirkulacijo hladilnega sredstva ne smete poškodovati pred strokovnim odlaganjem.

Obseg dobave

Preden razpakirate vse dele, jih preverite, če so se ob transportu poškodovali.

Ob ugotovitvi poškodb pošiljke se obrnite na prodajalca, pri katerem ste aparat kupili ali pa se oglasite pri naši servisni službi.

Obseg dobave sestoji iz naslednjih delov:

- Samostojna naprava
- Oprema (odvisna od modela)
- Vrečka z montažnim materialom
- Navodilo za uporabo
- Navodilo za montažo
- Servisna knjižica
- Priloga z garancijskim listom
- Informacije o porabi energije in obsegu nastajanja hrupa

Mesto postavitve

Aparat postavite v suh, zračen prostor. Mesto postavitve naj ne bo izpostavljeno neposredni sončni svetlobi. Aparat ne sme biti v bližini izvora toplote, npr. štedilnika, radiatorja ipd. Če pa ga že postavite blizu toplotnih virov, uporabite primerno izolacijsko ploščo ali pa upoštevajte naslednjo najmanjšo razdaljo od izvora toplote:

- Od električnih in plinskih štedilnikov: 3 cm.
- Od oljnih ali štedilnikov na trda goriva: 30 cm.

Tla na mestu postavitve se ne smejo vdajati, če je potrebno, jih ojačajte. Neravnine na tleh izravnajte s pomočjo podstavkov.

Odmik od stene

Slika 3

Aparat ne potrebuje razmaka med stranico in steno. Posode in odlagalne police je možno kljub temu izvleči.

Bodite pozorni na temperaturo prostora in prezračevanje

Sobni temperaturi

Aparat je projektiran za določeni klimatski razred. Odvisno od klimatskega razreda se aparat lahko uporablja pri naslednjih sobnih temperaturah.

Klimatski razred je na tipski ploščici, slika 11.

Klimatski razred	dovoljena temperatura okolja
SN	+10 °C do 32 °C
N	+16 °C do 32 °C
ST	+16 °C do 38 °C
T	+16 °C do 43 °C

Napotek

Naprava je popolnoma funkcionalna, če se sobna temperatura giblje v mejah podanega klimatskega razreda. Če naprava klimatskega razreda SN obratuje pri nižjih sobnih temperaturah, lahko izključimo pojav poškodb naprave do temperature +5 °C.

Zračenje

Slika 4

Zrak na hrbtni steni in na stranicah naprave se ogreva. Segreti zrak se mora neovirano odvesti. V nasprotnem primeru mora hladilni kompresor delati s povečano močjo. To poveča porabo toka. Zaradi tega: Odprtini za dovod in odvod zraka ne smete nikoli pokriti ali zapreti!

Priklop aparata

Po postavitvi aparata, počakajte najmanj 1 uro, preden vklopite aparat. Med transportom se lahko zgodi, da pride olje, ki je v kompresorju, v hladilni sistem.

Pred prvim zagonom, očistite notranjost aparata (glej «Čiščenje aparata»).

Električni priključek

Vtičnica se mora nahajati v bližini aparata in mora biti tudi po postavitvi prosto dosegljiva.



Svarilo

Nevarnost električnega udara!

Če dolžina omrežnega priključnega vodnika ne zadostuje, v nobenem primeru ne uporabljajte razdelilnih vtičnic ali podaljševalnih kablov. V tem primeru se obrnite na servisno službo, ki vam bo svetovala glede alternativ.

Aparat ustreza razredu zaščite I. Aparat preko po predpisih instalirane vtičnice z varnostnim vodnikom priključite na izmenični tok 220–240 V/50 Hz. Vtičnica mora biti zavarovana z varovalko 10 A do 16 A.

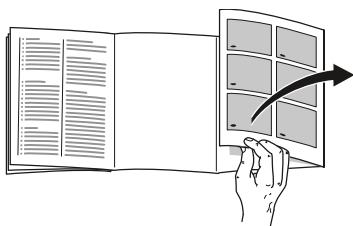
Pri aparatih, ki bodo obratovali v državah izven Evrope, morate preveriti, ali navedena napetost in vrsta toka ustrezata vrednostim zadevnega električnega omrežja. Te podatke najdete na tipski tablici, slika **11**.

⚠ Svarilo

Aparat ne sme v nobenem primeru biti priključen na elektronsko varčevalno vtičnico.

Za napajanje naših aparatov lahko uporabite izmenične pretvornike s sinusnim in omrežnim krmiljenjem. Omrežno vodeni izmenični pretvorniki se uporabljajo pri fotovoltaičnih napravah, ki so priključene neposredno na javno omrežje. Pri lokalnih napajanjih, npr. na ladji ali v gorskih počitniških hišah, je treba poskrbeti, da se uporabi izmenični pretvornik s sinusnim krmiljenjem.

Spoznajte vaš aparat



Odprite, prosimo, zadnjo stran s slikami. To navodilo velja za uporabo več modelov.

Opremljenost modelov aparatov je lahko različna.

Pri slikah so možna odstopanja.

Slika **1**

* Ni pri vseh modelih.

- A Hladilni prostor
- B Zamrzovalni prostor
- 1–4 Upravljalni elementi
- 5 Polica za majhne steklenice
- 6 Vložek za odlaganje velikih steklenic
- 7 Osvetlitev
- 8 Termostat
- 9 Predal za zelenjavo
- 10* Pladenj za zamrzovanje
- 11 Predal za zamrznjena živila (mali)

Upravljalni elementi

Slika **2**

- 1 **Tipka za nastavitev temperature**
S to tipko nastavite želeno temperaturo.
- 2 Indikacija «super» (zamrzovalni prostor)
Sveti samo kadar je super zamrzovanje aktivno.
- 3 **Prikaz temperature zamrzovalnega prostora**
Številke ustrezajo nastavljeni temperaturi zamrzovalnega prostora v stopinjah Celzija (°C).
- 4 **Prikaz eco mode**
Prikaz je poudarjen, ko je vklopljen ekološki način.

Vklop aparata

Slika **2**

1. Vtič vstavite v vtičnico.
2. Oglasi se opozorilni ton. Prikaz temperature 3 utripa.
3. Pritisnite tipko za nastavitev temperature 1. Opozorilni ton se izklopi.

Ko je v zamrzovalniku dosežena nastavljena temperatura, prikaz temperature 3 sveti.

Tovarniško priporočene nastavitve:

- Hladilnik: srednja temperatura
- Zamrzovalnik: $-18\text{ }^{\circ}\text{C}$

Občutljiva živila hranite v hladilniku.

Navodila glede obratovanja

- Po vklopu lahko traja več ur, da aparat doseže nastavljene temperature.
- Zahvaljujoč popolnoma samodejnem NoFrost-sistemu, ostane zamrzovalni prostor nezaledenel. Odtajevanje ni več potrebno.
- Sprednja stran ohišja se delno rahlo segreje, kar onemogoči pojav kondenzata na tesnilu na vratih.
- Če se vrata zamrzovalnega prostora po zaprtju ne dajo takoj odpreti, počakajte trenutek ali dva, da se nastali podtlak izenači.

Nastavitev temperature

Hladilni prostor

Regulator temperature, slika **1/8**, obrnite na želeno nastavitev.

Priporočamo nastavitev na oznako.

Sprememba nastavitve v smeri urnega kazalca povzroči nižje temperature v hladilnem prostoru.

Pri prostorski temperaturi pod $16\text{ }^{\circ}\text{C}$ aparat nastavite na nekoliko višjo temperaturo. Pri prostorski temperaturi nad $32\text{ }^{\circ}\text{C}$ aparat nastavite na nekoliko nižjo temperaturo.

Zelo nizke temperature nastavite le začasno:

- pri pogostem odpiranju vrat,
- pri vstavljanju velike količine živil v hladilnik.

Zamrzovalnik

Temperatura se lahko nastavi od $-18\text{ }^{\circ}\text{C}$ do $-24\text{ }^{\circ}\text{C}$.

Tipko za nastavitev temperature 1 pritisnite tolikokrat, da je nastavljena želeno temperatura v zamrzovalniku.

Shrani se zadnja nastavljena vrednost. Nastavljena temperatura je prikazana na prikazu temperature 3.

eco

Z ekološko funkcijo aparat preklopite na energetske varčevalni način obratovanja.

Aparat se avtomatsko nastavi na sledeče temperature:

- Zamrzovalnik: $-16\text{ }^{\circ}\text{C}$

Vklop funkcije Eco

Tipko za nastavitve temperature 1 pritisnite tolikokrat, da je prikaz "eco" poudarjen.

Funkcije alarma

Slika **2**

Alarm za vrata

Alarm vrat (stalni akustični signal) se vključi, če so vrata naprave odprta dlje kot eno minuto. Z zapiranjem vrat se opozorilni ton spet izključi.

Temperaturni alarm

Temperaturni alarm se oglasi, če je v zamrzovalnem prostoru pretoplo in so živila ogrožena.

Prikazovalnik temperature, slika **2**/3, utripa.

Alarm se lahko tudi brez nevarnosti za živila vključi:

- pri zagonu aparata,
- če ste v hladilnik vložili veliko količino živil,
- če so vrata zamrzovalnega prostora predolgo odprta.

Napotek

Zamrznjeno živilo, ki se je začelo odtajati ali se je popolnoma odtajalo, ne smete ponovno zamrzniti. Šele po obdelavi v gotovo jed (kuhano ali pečeno) ga lahko ponovno zamrznete.

Maks. roka shranjevanja ne smete več izrabiti do konca.

Izklop alarma

Slika **2**

Pritisnite tipko za nastavljanje temperature 1, da s tem izključite opozorilni akustični signal.

Koristna prostornina

Podatke o koristni prostornini boste našli na tipski ploščici vašega aparata.

Slika **11**

Popoln izkoristek zamrzovalne prostornine

Predale lahko vzamete iz aparata, kar vam bo omogočilo, da v zamrzovalnem prostoru shranite maksimalno količino živil. Živila lahko zložite neposredno na polico in na dno zamrzovalnega prostora.

Napotek

Izogibajte se stiku med žvili in zadnjo steno. V nasprotnem primeru bo to vplivalo na kroženje zraka.

Razen tega se živila in embalaža na zadnjo steno prilepijo z zamrzovanjem.

Snetje delov opreme

Predal za zamrznjena živila izvlecite do konca, ga spredaj privzdignite in snemite iz naprave. Slika **7**

Hladilni prostor

Hladilni prostor je idealni shranjevalni prostor za meso, mesne izdelke, ribe, mlečne izdelke, jajca, gotove jedi in peciva.

Na kaj morate biti pozorni pri hrambi živil

- V aparatu hranite vedno sveža in nepoškodovana živila. Tako bosta kakovost in svežina živil dalj časa ohranjena.
- Pri gotovih jedeh in polnjenih živilih pazite zmeraj na proizvajalčev minimalni rok trajanja ali datum, do katerega je treba živilo uporabiti.
- Da bi ohranili aromo, barvo in svežino, živila hranite dobro zapakirana ali pokrita. Tako boste tudi preprečili prenos okusov in spremembo barve plastičnih delov v hladilnem prostoru.
- Pustite tople jedi in pijače, da se ohladijo izven aparata in jih šele takrat dajte v aparat.

Napotek

Odprtini za odvod zraka ne smete blokirati z živili, da ne bi onemogočili zračnega obtoka. Živila, ki ste jih odložili neposredno pred odprtino za izhod zraka, lahko zamrznejo zaradi izhajajočega hladnega zraka.

Obrnite pozornost na območja hladu v hladilnem prostoru

S kroženjem zraka v hladilnem prostoru nastanejo različna območja hladu:

- Najhladnejše območje se nahaja v zgornjem delu hladilnega prostora.

Napotek

V najhladnejšem območju shranjujte občutljiva živila (npr. ribe, klobase, meso).

- Najtoplejše območje je pri vratih spodaj in v predalu za zelenjavo.

Napotek

V najtoplejšem območju hranite npr. trde sire in maslo. Sir lahko še naprej razvija svoj okus, maslo pa ostane dovolj mehko za mazanje.

Predal za zelenjavo

Slika **1**/9

Pri visoki vlažnosti ostane listnata zelenjava dlje časa sveža. Drugo zelenjavo in sadje shranjujte pri nekaj nižji vlažnosti.

Količina vlage v predalu za zelenjavo je odvisna od količine v predalu shranjene zelenjave.

Napotek

Previsoka vlažnost lahko vodi do tvorbe kapljic in s tem k gnitju zelenjave.

Zamrzovalni prostor


Zamrzovalni prostor uporabljajte

- Za odlaganje globoko zamrznjenih jedi.
- Za pripravo kockic ledu.
- Za zamrzovanje živil.

Napotek

Pazite na to, da bodo vrata na zamrzovalnem prostoru vedno zaprta! Če so vrata odprta, se zamrznjena živila odtajajo in zamrzovalni prostor močno zaledeni. Razen tega: razsipanje energije zaradi visoke porabe toka!

Največja kapaciteta zamrzovanja

Podatke o maksimalni kapaciteti zamrzovanja v 24 urah, boste našli na tipski plošči. Slika 

Predpostavke za največjo zamrzovalno zmogljivost

- Pred vlaganjem svežih živil vključite super zamrzovanje (glej poglavje Super zamrzovanje).
- Vzemite predale ven; zlagajte živila neposredno na polico in dno zamrzovalnega prostora.
- Večjo količino živil zamrznite predvsem v najvišjem predalu. V njem se živila posebej hitro in tako tudi posebej obzirno zamrznjeno.

Zamrzovanje in shranjevanje

Nakup globoko zamrznjenih živil

- Embalaže ne smete poškodovati.
- Upoštevajte rok trajnosti.
- Temperatura v prodajni zamrzovalni skrinji mora znašati $-18\text{ }^{\circ}\text{C}$ ali pa še hladneje.

- Globoko zamrznjeno živilo nosite, po možnosti, v izolirani torbi in jo hitro dajte v zamrzovalni prostor.

Bodite posebno pozorni pri razporeditvi

- Večjo količino živil zamrznite predvsem v najvišjem predalu. V njem se živila posebej hitro in tako tudi posebej obzirno zamrznjeno.
- Živila razprostrite čim širše po površini v predalih oz. jih položite v predale za zamrznjena živila.

Napotek

Že zamrznjena živila ne smejo priti v dotik s svežimi živili, ki jih boste šele zamrznili. Po potrebi preložite globoko zamrznjena živila v druge predale za zamrznjena živila.

Vlaganje zamrznjenih živil

Predal z zamrznjenimi živili potisnite v napravo do konca, da s tem zagotovite brezhibno kroženje zraka.

Zamrzovanje svežih živil

Za zamrzovanje uporabljajte samo sveža in brezhibna živila.

Za čim boljšo ohranitev hranilnih vrednosti, arome in barve je potrebno zelenjavo pred zamrzovanjem blanširati. Pri jajčevcih, paprikah, bučkah in beluših blanširanje ni potrebno.

Literaturo o zamrzovanju in blanširanju najdete v običajnih knjigarnah.

Napotek

Živila, ki jih je šele treba zamrzniti ne smejo priti v dotik z že zamrznjenimi živili.

- Za zamrzovanje so primerni: pekarski izdelki, ribe in morski sadeži, meso, divjačina, perutnina, zelenjava, sadje, zelišča, jajca brez lupine, mlečni izdelki kot sir, maslo in skuta, gotove jedi in ostanki obrokov, kot sp juhe, enolončnice, pripravljeno meso in ribe, krompirjeve jedi, narastki in slaščice.
- Za zamrzovanje niso primerni: vrste zelenjave, ki se jih po navadi je sveže, npr. listnata solata ali redkvice, jajca z lupino, grozdje, cela jabolka, hruške in breskve, trdo kuhana jajca, jogurt, kislo mleko, kislja smetana, smetana in majoneza.

Pakiranje živil

Živila naj bodo nepredušno zapakirana, da ne bi zgubila okusa ali se izsušila.

1. Dajte živilo v embalažo.
2. Iztisnite zrak.
3. Zaprite nepredušno pakiranje.
4. Napišite na embalaži vsebino in datum zamrzovanja.

Za embalažo so primerne:

plastične folije, cevaste folije iz polietilena, alufolije, posode za zamrzovanje.

Te izdelke najdete v strokovnih trgovinah.

Kot embalaža niso primerni:

papir za peko, pergamentni papir, celofan, vrečke za smeti in uporabljene nakupovalne vrečke.

Za zapiranje so primerne:

gumice, plastične sponke, vrvce, lepilni trakovi odporni na mraz in podobno.

Polietilenske vrečke in folije lahko zaprete tudi z varilcem folije.

Obstojnost zamrznjenih živil

Obstojnost zamrznjenih živil odvisna je od vrste živil.

Pri temperaturi -18 °C:

- riba, klobase, gotove jedi, peciva: do 6 mesecev
- sir, perutnina, meso: do 8 mesecev
- zelenjava, sadje: do 12 mesecev

Super zamrzovanje

Živila je treba po možnosti hitro zamrzniti prav do jedra, da bi se ohranili vitamini, hranilne vrednosti, videz in okus.

Nekaj ur pred vlaganjem svežih živil vključite super zamrzovanje, da s tem preprečite nezaželen dvig temperature.

Zadostovalo bo 4–6 ur.

Aparat po vklopu obratuje stalno, v zamrzovalnem prostoru se doseže zelo nizka temperatura.

Če želite izkoristiti največjo možno zamrzovalno količino, morate 24 ur pred vlaganjem svežih živil vključiti «Super zamrzovanje».

Manjše količine živil (do 2 kg.) lahko zamrznete brez super zamrzovanja.

Napotek

Če je super zamrzovanje vključeno, lahko pride do glasnejšega obratovanja aparata.

Vklop in izklop

Slika **2**

Tipko za nastavitev temperature 1 pritisnite tolikokrat, dokler indikacija super 2 ne zasveti.

Super zamrzovanje se avtomatično izključi po približno 2½ dneva.

Odmrznite zamrznjeno živilo

Glede na način in namen uporabe lahko izbirate med naslednjimi načini:

- pri sobni temperaturi,
- v hladilniku,
- v električni pečici, z/brez ventilatorja s toplim zrakom,
- v mikrovalovni pečici.

Pozor

Zamrznjeno živilo, ki se je začelo odtajati ali se je popolnoma odtajalo, ne smete ponovno zamrzniti. Šele po obdelavi v gotovo jed (kuhano ali pečeno) ga lahko ponovno zamrznete.

Maks. roka shranjevanja živila ne smete več izrabiti do konca.

Oprema

Položaj polic v hladilnem prostoru in v vratih lahko poljubno spreminjate:

- Potegnite polico naprej, jo supustite in jo bočno izvlecite. Slika **6**
- Polico v vratih dvignite in jo izvlecite. Slika **5**

Posebna oprema

(ni pri vseh modelih)

Posodica za maslo in sir

Z lahkim pritiskom na sredino lopute predala za maslo se predal za maslo odpre.

Za čiščenje predal od spodaj privzdignite in ga snemite.

Hladilna baterija

V primeru prekinitve električnega toka ali neke motnje, hladilna baterija odloži segrevanje živil, ki so v zamrzovalniku. Najdaljši čas shranjevanja dosežete, če akumulator mraza v zgornjem predalu položite neposredno na živila.

Hladilni akumulator lahko vzamete iz aparata zaradi začasnega hlajenja živila, npr. v hladilni torbi.

Posodico za led

Slika **8**

1. Posodico za led napolnite do $\frac{3}{4}$ s pitno vodo in jo postavite v zamrzovalni prostor.
2. Če se je posoda za led zalepila, jo oddvojite s topim predmetom (držaj žlice ipd.)
3. Ledene kocke boste lažje odstranili iz posode, če boste posodo rahlo ukrivili, ali pa jo za trenutek podstavili pod tekočo vodo.

Komplet za zajtrk

Slika **9**

Posode kompleta za zajtrk lahko vzamete posamično iz aparata in jih lahko napolnite.

Vložek za odlaganje steklenic

Slika **10**

V vložku za odlaganje steklenic, lahko varno odlagate steklenice.

Nalepka "OK"

(ni pri vseh modelih)

Z nalepko "OK" lahko preverite, ali temperatura v hladilniku dosega za živila priporočena varna območja +4 °C ali hladneje. Če nalepka ne kaže "OK", postopoma znižujte temperaturo.

Napotek

Po vklopu aparata, lahko traja do 12 ur, preden je dožežena nastavljena temperatura.



Pravilna nastavitve

Izklop aparata in izločitev iz uporabe

Izklop aparata

Izvalcite omrežni vtič, oz. izklopite varovalko.

Hladilnik se izklopi.

Izločitev aparata iz uporabe

Če aparata dalj časa ne boste uporabljali:

1. Izvalcite omrežni vtič ali izklopite varovalko.
2. Aparat očistite.
3. Vrata aparata pustite odprta.

Čiščenje aparata



Pozor

- Ne uporabljajte nobenih čistilnih in topilnih sredstev z vsebovanjem peska, kloridov ali kislin.
- Ne uporabljajte čistilnih gob, ki lahko površino opraskajo in poškodujejo. Na kovinskih površinah bi lahko nastala korozija.
- Vložkov za odlaganje in predalov nikoli ne pomivajte v pomivalnem stroju. Deli se lahko deformirajo!

Voda, s katero čistite aparat, ne sme priti v spodaj navedena območja:

- upravljalni elementi
- osvetlitev
- prezračevalne odprtine
- odprtine v ločevalni plošči

Postopajte na sledeč način:

1. Izvalcite omrežni vtič ali izklopite varovalko.
2. Zamrznjena živila vzemite iz predala in jih zložite na hladno. Na živila položite hladilni vložek (če obstaja).
3. Voda za pomivanje ne sme prodreti v upravljalne elemente, osvetlitev, prezračevalne odprtine ali v odprtine ločevalne plošče!
Aparat obrišite z mehko krpo, mlačno vodo in nekaj pH nevtralnega pomivalnega sredstva.
4. Tesnilo na vratih operite le s čisto vodo in ga nato temeljito obrišite do suhega.
5. Po čiščenju aparat ponovno priključite.
6. Živila zložite nazaj v zamrzovalnik.

Oprema

Za čiščenje je možno vse dele opreme naprave vzeti iz nje.

Snetje polic v vratih

Slika **5**

Police privzdignite in jih snemite.

Snetje odlagalne police za kozarce

Steklene police potegnite k sebi in jih snemite.

Snetje predala

Slika **7**

Predal izvlecite do konca, ga spredaj privzdignite in ga snemite.

Snetje predala za zamrznjena živila

Slika **7**

Predal za zamrznjena živila izvlecite do konca, ga spredaj privzdignite in snemite iz naprave.

- Zamrznjena živila porazdelite v hladilnem prostoru in s tem uporabite hlad zamrznjenih živil za hlajenje drugih živil.
- Vrata aparata naj bodo odprta čim krajši čas.
- Da dosežete najnižjo možno porabo energije: upoštevajte majhen stranski odmik od stene.
- Razporeditev delov opreme ne vpliva na porabo energije naprave.

Šumi, ki se lahko pojavijo med obratovanjem

Popolnoma normalni šumi

Napotek

Ko je vklopljeno super zamrzovanje, je lahko aparat nekoliko bolj glasen.

Brnenje

Motorji tečejo (npr. hladilni agregat, ventilator).

Žuborenje, klopotanje ali grgotanje

Hladilno sredstvo se pretaka skozi cevi.

Klikanje

Motor, stikala ali magnetni ventili se vklaplajo in izklaplajo.

Pokanje

Opravilo se je samodejno odtajanje.

Preprečevanje šumov

Aparat ni izravnal

Prosimo naravnajte aparat s pomočjo libele. Pri tem uporabite nastavljivi nogici ali podstavite nekaj.

Aparat se dotika nečesa

Odmaknite aparat od sosednjega pohištva ali drugih aparatov.

Osvetlitev (LED)

Vaša naprava je opremljena z osvetlitvijo svetlečih diod (LED), ki ne potrebuje vzdrževanja.

Popravila te vrste osvetlitve sme izvajati samo servisna služba ali avtorizirano strokovno osebje.

Prihranek energije

- Aparat postavite v suh prostor, ki se lahko zrači! Aparata ne smete postaviti neposredno na sonce ali v bližini toplotnih virov (npr. radiatorji, štedilnik). Če je potrebno, uporabite izolacijsko ploščo.
- Pustite tople jedi in pijače, da se ohladijo izven aparata in jih šele takrat dajte v aparat.

Predali ali odlagalne police se majejo ali zatikajo

Preverite dele, ki se lahko vzamejo ven in jih po potrebi ponovno namestite.

Steklenice ali posodo se dotika.

Razmaknite steklenice ali posodo eno od druge.

Samostojno odpravljanje manjših motenj.

Preden pokličete servisno službo:

Preverite, ali motnjo lahko sami odpravite s pomočjo sledečih navodil.

Stroške nasvetov servisne službe morate nositi sami – tudi med garancijsko dobo!

Motnja	Možen vzrok	Pomoč
Temperatura zelo odstopa od nastavljenih vrednosti.		V nekaterih primerih zadostuje, če izklopite stroj za 5 minuti. Če je temperatura previsoka, preverite po nekaj urah, če se je vzpostavila približna temperatura. Če je temperatura prenizka, še enkrat preverite temperaturo naslednji dan.
Oglasi se opozorilni akustični signal.	Motnja - v zamrzovalnem prostoru je pretoplo!	Za izključitev opozorilnega akustičnega signala pritisnite na nastavitveno tipko za temperaturo, slika 2 /1.
Prikazovalnik temperature utripa. Slika 2 /3	Nevarnost za zamrznjene proizvode. Naprava je odprta.	Napravo zaprite.
	Odprtine za dovod in odvod zraka so pokrite.	Omogočite dovod in odvod zraka.
	V zamrzovalnik ste vložili preveliko količino živil.	Ne presegajte maksimalne kapacitete zamrzovanja. Po odpravi motnje bo indikator za temperaturo prenehal utripati.
Temperatura v zamrzovalnem prostoru je previsoka.	Prepogosto odpiranje vrat aparata.	Naprave ne odpirajte brez potrebe.
	Odprtine za dovod in odvod zraka so pokrite.	Odstranite zapreke.
	Zamrzovanje velikih količin svežih živil.	Ne presegajte maksimalne kapacitete zamrzovanja.

Motnja	Možen vzrok	Pomoč
Osvetlitev ne dela.	<p>Osvetlitev LED je defektna.</p> <hr/> <p>Naprava je bila predolgo odprta.</p> <p>Osvetlitev ugasne po približno 10 minutah.</p>	<p>Glejte poglavje «Osvetlitev (LED)».</p> <hr/> <p>Potem, ko enkrat napravo zaprete in ponovno odprete, je osvetlitev ponovno vključena.</p>
Zmanjšana osvetlitev upravljalnih elementov.	Če naprave nekaj časa ne upravljate, se prikaz upravljalne plošče prestavi v način varčevanja z energijo.	Brž ko je aparat ponovno v uporabi, npr. pri odpiranju vrat, se prikaz ponovno preklopi na normalno osvetlitev.
Indikacija ne sveti.	Ni elektrike; varovalka se je izklopila; omrežni vtič ni dobro vtaknjen.	Priključite omrežni vtič. Preverite, ali je napajanje z električno energijo, preverite varovalke.
Naprava ne hladi, prikaz temperature in osvetlitev svetita.	Vključen je predstavitveni način.	<p>Pritisnite in držite nastavitveno tipko za temperaturo sliki 2/1 10 sekund dolgo, dokler ne zaslišite potrditveni ton.</p> <p>Po določenem času preverite, če aparat hladi.</p>
Vrata zamrzovalnega prostora so bila predolgo odprta; temperature se več ne da doseči.	Izparilnik (generator hladu) v NoFrost-sistemu je močno zaledenel tako, da se več ne more odtajati popolnoma samodejno.	<p>Zaradi odtajanja izparilnika, vzemite živila skupaj s pregradki ven, ter jih dobro izolirane odložite na hladno mesto.</p> <p>Izklopite aparat in ga odmaknite od stene. Pustite vrata aparata odprta.</p> <p>Po okrog 20 min., začne odtajana voda odtekati v posodo za kondenzat na hrbtni strani aparata.</p> <p>Da bi se prelivanju posode za kondenzat v tem primeru izognili, vpijte odtajano vodo z gobo.</p> <p>Kadar odtajana voda ne izteka več v posodo za kondenzat, je izparilnik odtajan. Očistite notranjost. Aparat ponovno zaženite.</p>

Servisna služba

Najbližjo servisno službo najdete v telefonskem imeniku ali na seznamu servisnih služb. Servisni službi posredujte številko modela (E-Nr.) in proizvodno številko (FD-Nr.) aparata.

Te podatke najdete na tipski tablici. Slika



Z navedbo številke modela in proizvodne številke pripomorete k izogibu nepotrebnih obiskov servisnega osebja. Tako prihranite s tem povezane dodatne stroške.

Naročilo za popravilo in svetovanje v primeru motenj

Podatke glede vseh držav, boste našli v priloženem seznamu servisnih služb.

Bezpečnostní a výstražné pokyny

Dříve než se spotřebič uvede do provozu

Přečtěte si pozorně návod k použití a montážní návod! Obsahují důležité informace o instalaci, použití a údržbě spotřebiče.

Výrobce neručí za to, nedodržíte-li pokyny a výstrahy v návodu na použití. Uchovejte všechny podklady pro pozdější použití nebo pro následujícího majitele.

Technické podrobnosti



Nebezpečí požáru

V trubkách chladicího okruhu proudí malé množství ekologicky vhodného, ale hořlavého chladiva (R600a). Nepoškozují vrstvu ozónu a nepodporují skleníkový efekt. Při úniku chladiva může dojít k poranění zraku nebo vzplanutí.

Při poškozeních

- Otevřený oheň nebo zdroje zapálení musí být v dostatečné vzdálenosti od spotřebiče,
- místnost několik minut dobře vyvětrejte,

- vypněte spotřebič a vytáhněte síťovou zástrčku,
- Informujte zákaznický servis.

Čím více je chladiva ve spotřebiči, tím větší musí být místnost, ve které spotřebič stojí. V příliš malých místnostech může při netěsnosti vzniknout hořlavá směs plynu a vzduchu. Pro 8 g chladiva musí být místnost velká nejméně 1 m³. Množství chladiva Vašeho spotřebiče je uvedeno na typovém štítku uvnitř spotřebiče. Při instalaci spotřebiče dbejte na to, aby nedošlo k sevření nebo poškození síťové přípojky.

Bude-li síťový přívod tohoto spotřebiče poškozen, musí být vyměněn výrobcem, zákaznickým servisem nebo podobně kvalifikovanou osobou. Neodborné instalace a opravy mohou vážně ohrozit uživatele.

Opravy smí provádět pouze výrobce, zákaznický servis nebo podobně kvalifikovaná osoba.

Smí se používat pouze originální díly výrobce. Jenom u těchto dvou výrobce zaručuje, že splňují požadavky na bezpečnost.

Nepoužívejte rozbočky, prodlužovací kabely nebo adaptéry.



Nebezpečí požáru

Přenosné rozbočky nebo přenosné síťové díly se mohou přehřívat a způsobit požár. Za spotřebičem neumísťujte přenosné rozbočky nebo přenosné síťové díly.

Při použití

- Nikdy nepoužívejte uvnitř spotřebiče elektrické přístroje (např. topná tělesa, elektrické výrobňíky ledu atd.). Nebezpečí výbuchu!
- Spotřebič nikdy neodmrazujte nebo nečistěte parním čističem! Pára se může dostat na elektrické komponenty a způsobit zkrat. Nebezpečí úrazu elektrickým proudem!
- Kromě údajů výrobce neprovádějte žádná dodatečná opatření pro urychlení odmražení. Nebezpečí výbuchu!
- Na odstranění jinovatky nebo vrstev ledu nepoužívejte žádné špičaté předměty nebo předměty s ostrými hranami. Můžete tím poškodit trubky chladiwa. Vystřikující chladiwo se může vznítit nebo vést k poranění očí.
- Neuchovávejte žádné výrobky s hořlavými hnacími plyny (např. spreje) a žádné výbušné látky. Nebezpečí výbuchu!
- Sokly, zásuvky, dveře atd. nepoužívejte jako stupátko nebo k podepření.
- K odmrazování a čištění vytáhněte síťovou zástrčku nebo vypněte pojistkový automat. Táhněte za síťovou zástrčku, nikoliv za připojovací kabel.
- Vysoceprocentní alkohol skladujte jen těsně uzavřený a ve stojaté poloze.
- Neznečistěte umělohmotné díly a těsnění dveří olejem nebo tukem. Umělohmotné díly a těsnění dveří se jinak stanou porézní.
- Nezakrývejte nebo nepřistavujte větrací a odvětrávací otvory pro spotřebič.
- Do mrazicího prostoru neukládejte žádné kapaliny v láhvích nebo plechovkách (zejména nápoje obsahující kyselinu uhličitou). Láhve a plechovky mohou explodovat!
- Nikdy nedávejte zmrazené zboží okamžitě po vyndání z mrazicího prostoru do úst. Nebezpečí omrzlin!
- Zabraňte delšímu kontaktu rukou se zmrazenými potravinami, ledem nebo trubkami odpařovače atd. Nebezpečí omrzlin!

■ **Vyhnutí se rizikům pro děti a ohrožené osoby:**

V ohrožení jsou děti, osoby, které jsou fyzicky, mentálně nebo ve svém vnímání omezené a rovněž osoby, které nemají dostatek znalostí o bezpečné obsluze spotřebiče.

Zajistěte, aby děti a ohrožené osoby pochopily nebezpečí.

Osoba odpovědná za bezpečnost musí na děti a ohrožené osoby u spotřebiče dohlížet nebo je instruovat.

Nechejte přístroj používat pouze děti starší 8 let.

Při čištení a údržbě na děti dohlížejte.

Nikdy nedovolte dětem, aby si s přístrojem hrály.

Děti v domácnosti

- Nepřenechávejte obal a jeho díly dětem. Nebezpečí udušení kartony a fóliemi!
- Spotřebič není žádná hračka pro děti!
- U spotřebiče s dveřním zámekem: Uschovejte klíč mimo dosah dětí!

Všeobecná ustanovení

Spotřebič je vhodný

- ke chlazení a zmrazování potravin,
- k výrobě ledu.

Tento spotřebič je určen pro použití v domácnosti a domácím prostředí.

Cirkulace chladiva je přezkoušena na těsnost.

Tento spotřebič odpovídá příslušným bezpečnostním ustanovením pro elektrické spotřebiče a je elektromagneticky snášlivý.

Tento spotřebič je určen pro použití do maximální výšky nad mořem 2000 metrů.

Pokyny k likvidaci

Likvidace obalu

Obal chrání Váš spotřebič před poškozeními vzniklými při přepravě. Všechny použité materiály jsou ekologicky přijatelné a opětovně recyklovatelné. Podílejte se prosím s námi: zlikvidujte obal ekologicky nezávadně.

O aktuálních likvidačních možnostech se prosím informujte u Vašeho odborného prodejce nebo u obecní správy.

Likvidace starého spotřebiče

Staré spotřebiče nejsou žádný bezcenný odpad! Zásadou ekologické likvidace lze cenné suroviny znovu recyklovat.



Tento spotřebič je označený v súlade s európskou smernicou 2012/19/EÚ o nakladaní s použitými elektrickými a elektronickými zariadeniami (waste electrical and electronic equipment - WEEE).

Táto smernica stanoví jednotný európsky (EU) rámec pre spätný odber a recyklovanie použitých zariadení.

Varování

U vysloužilých spotřebičů

1. Vytáhněte síťovou zástrčku.
2. Uřízněte připojovací kabel a odstraňte jej společně se síťovou zástrčkou.
3. Nevytahujte odkládací plochy a zásuvky, můžete tím dětem usnadnit přístup do spotřebiče!
4. Nedovolte dětem, aby si hrály s vysloužilým spotřebičem. Nebezpečí udušení!

Chladničky obsahují chladivo a v izolaci plyny. Chladivo a plyny se musí odborně zlikvidovat. Nepoškodte cirkulační potrubí chladiva až do odborného zlikvidování.

Rozsah dodávky

Po vybalení zkontrolujte všechny díly na eventuální poškození vzniklá při přepravě.

Při reklamacích se obraťte na prodejce, u kterého jste spotřebič zakoupili nebo na náš zákaznický servis.

Dodávka se skládá z následujících dílů:

- Volně stojící spotřebič
- Vybavení (závislé na modelu)
- Sáček s montážním materiálem
- Návod na použití
- Montážní návod
- Servisní sešit
- Příloha Záruka
- Informace ke spotřebě energie a hlučnosti

Místo instalace

Pro instalaci spotřebiče je vhodná suchá, větratelná místnost. Místo postavení nemá být vystaveno přímému slunečnímu záření a být v blízkosti tepelného zdroje jako je sporák, otopné těleso atd. Je-li postavení vedle tepelného zdroje nevyhnutelné, použijte vhodnou izolační desku nebo dodržujte následující minimální vzdálenosti k tepelnému zdroji:

- K elektrickým a plynovým sporákům: 3 cm.
- K volně stojícím olejovým kamnům nebo kamnům na uhlí: 30 cm.

V místě instalace nesmí podlaha poklesnout, podlahu eventuálně vyztužte. Eventuální nerovnosti podlahy vyrovnejte pomocí podložek.

Vzdálenost od zdi

Obrázek **3**

Spotřebič nevyžaduje žádný boční odstup od stěny. Zásobníky a odkládací plochy jsou přesto plně vytahovatelné.

Dbejte na teplotu místnosti a větrání

Teplota místnosti

Spotřebič je dimenzován pro určitou klimatickou třídu. V závislosti na klimatické třídě lze spotřebič provozovat při následujících teplotách místnosti.

Klimatickou třídu najdete na typovém štítku, obrázek **11**.

Klimatická třída	Přípustná teplota místnosti
SN	+10 °C až 32 °C
N	+16 °C až 32 °C
ST	+16 °C až 38 °C
T	+16 °C až 43 °C

Upozornění

Spotřebič je v rámci stanovených mezí pokojových teplot uvedené klimatické třídy plně funkční. Bude-li spotřebič klimatické třídy SN provozován při nižší teplotě místnosti, lze poškození spotřebiče až do teploty +5 °C vyloučit.

Větrání

Obrázek **4**

Vzduch na zadní stěně a bočních stěnách spotřebiče se ohřívá. Ohřátý vzduch musí mít možnost bez zábrany unikat. Jinak musí chladnička dodávat větší výkon. Zvyšuje to spotřebu elektrického proudu. Proto: Nikdy nezakrývejte nebo nezastavujte větrací a odvětrávací otvory spotřebiče!

Připojení spotřebiče

Po instalaci spotřebiče počkejte nejméně 1 hodinu, než uvedete spotřebič do provozu. Během přepravy může dojít k tomu, že se olej obsažený v kompresoru dostane do chladicího systému.

Před prvním uvedením do provozu vyčistěte vnitřní prostor spotřebiče (viz kapitola “Čistění spotřebiče”).

Elektrické připojení

Síťová zásuvka se musí nacházet v blízkosti spotřebiče a být volně přístupná také po jeho instalaci.



Varování

Nebezpečí úrazu elektrickým proudem! Je-li délka síťové přípojky nedostačující, v žádném případě nepoužívejte rozbočky nebo prodlužovací kabely. Za účelem alternativy kontaktujte zákaznický servis.

Spotřebič odpovídá třídě ochrany I. Připojte spotřebič do předpisově nainstalované zásuvky s ochranným vodičem na střídavý proud 220–240 V/ 50 Hz. Síťová zásuvka musí být jištěná 10 až 16 A pojistkou.

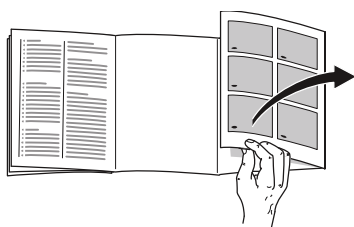
U spotřebičů, které budou provozovány v neevropských zemích zkontrolujte, zda uvedené napětí a druh proudu souhlasí s hodnotami Vaší elektrické sítě. Tyto údaje najdete na typovém štítku, obrázek **11**.

⚠ Varování

Spotřebič se v žádném případě nesmí připojit na zástrčkový elektronický šetřič energie.

Pro využití našich spotřebičů lze použít měniče synchronizované síťovým napětím a sinusové měniče napětí. Měníče synchronizované sítí se používají ve fotovoltaických zařízeních, která se připojují přímo na veřejnou elektrickou síť. Při řešení ostrovních systémů (např. na lodích nebo horských chatách), které nemají žádné přímé připojení na veřejnou elektrickou síť, se musí použít sinusové měniče napětí.

Seznámení se se spotřebičem



Odklopte prosím poslední stránku s obrázkem. Tento návod k použití platí pro více modelů.

Vybavení modelů se může měnit.

Odchytky u vyobrazení jsou možné.

Obrázek **11**

* Není u všech modelů.

- A Chladicí prostor
- B Mrazicí prostor
- 1–4 Ovládací prvky
- 5 Odkládací plocha pro malé láhve
- 6 Odkládací plocha pro velké láhve
- 7 Osvětlení
- 8 Regulátor teploty
- 9 Zásobník na zeleninu
- 10* Zmrazovací podnos
- 11 Zásobník zmrazených potravin (malý)

Ovládací prvky

Obrázek **2**

- 1 **Nastavovací tlačítko teploty**
S tímto tlačítkem se nastaví požadovaná teplota.
- 2 **Indikace “super” (mrazicí prostor)**
Rozsvítí se tehdy, když je superzmrazování v provozu.
- 3 **Indikace teploty mrazicího prostoru**
Čísla odpovídají nastaveným teplotám v mrazicím prostoru ve °C.
- 4 **Ukazatel eco mode**
Zvýrazní se v případě zapnutého režimu eco.

Zapnutí spotřebiče

Obrázek **2**

1. Připojte zástrčku do zásuvky.
2. Zazní výstražný akustický signál. Ukazatel teploty 3 bliká.

3. Stiskněte nastavovací tlačítko teploty 1. Výstražný akustický signál se vypne.

Když mrazicí prostor dosáhne nastavené teploty, svítí ukazatel teploty 3.

Ze závodu jsou doporučena tato nastavení:

- Chladicí prostor: střední nastavení
- Mrazicí prostor: -18 °C


Choulostivé potraviny uložte do chladicího prostoru.

Pokyny k provozu

- Po zapnutí to může trvat několik hodin, než jsou dosaženy nastavené teploty.
- Zásluhou plně automatického NoFrost systému zůstane mrazicí prostor bez ledu. Odmrazování již není nutné.
- Čelní strany skříňky spotřebiče jsou částečně lehce ohřívány, což zabraňuje tvorbě kondenzační vody v oblasti těsnění dveří.
- Nedají-li se dveře mrazicího prostoru okamžitě po zavření znovu otevřít, počkejte chvíli, než se vzniklý podtlak vyrovná.

Nastavení teploty

Chladicí prostor

Otočte regulátor teploty, obrázek /8, na požadované nastavení.

Doporučujeme nastavení na značce.

Změna nastavení provedená ve směru pohybu hodinových ručiček se projeví nižšími teplotami v chladicím prostoru.

Při teplotě místnosti nižší než 16 °C nastavte spotřebič o něco tepleji. Při teplotě místnosti vyšší než 32 °C nastavte spotřebič o něco chladněji.

Nastavení s velmi nízkou teplotou zvolte pouze dočasně při:

- častém otevírání dveří,
- vložení velkých množství potravin do chladicího prostoru.

Mrazicí prostor

Teplota je nastavitelná od -18 °C do -24 °C.

Stiskněte tlačítko pro nastavení teploty 1 tolikrát, až je nastavena požadovaná teplota mrazicího prostoru.

Naposledy nastavená hodnota se uloží. Nastavená teplota se zobrazí na ukazateli teploty 3.

eco

Pomocí funkce “eco” přepnete spotřebič do provozu šetřícího energii.

Spotřebič se automaticky nastaví na tyto teploty:

- Mrazicí prostor: - 16 °C

Zapnutí funkce Eco

Stiskněte nastavovací tlačítko teploty 1 tolikrát, až je zvýrazněn ukazatel “eco”.

Alarmové funkce

Obrázek **2**

Alarm dveří

Alarm dveří (trvalý tón) se zapne, jsou-li dveře spotřebiče otevřené déle než jednu minutu. Zavřením dveří se výstražný akustický signál opět vypne.

Teplotní alarm

Teplotní alarm se zapne, když je v mrazicím prostoru příliš vysoká teplota a jsou ohrožené zmrazené potraviny.

Ukazatel teploty, obrázek **2**/3, bliká.

Bez nebezpečí pro zmrazené potraviny se alarm může zapnout:

- při uvádění spotřebiče do provozu,
- při vložení velkého množství čerstvých potravin,
- při dlouho otevřených dveřích mrazicího prostoru.

Upozornění

Částečně rozmrazené nebo rozmrazené potraviny znovu nezmrazujte. Teprve po zpracování na hotový pokrm (vařený nebo pečený) je lze opětovně zmrazit.

Nevyužívejte již dále úplně max. dobu uložení.

Vypnutí alarmu

Obrázek **2**

Abyste výstražný akustický signál vypnuli, stiskněte nastavovací tlačítko teploty 1.

Užitný objem

Údaje k užitému objemu naleznete na typovém štítku Vašeho spotřebiče.

Obrázek **11**

Úplné využití mrazicího objemu

Abyste uložili maximální množství zmrazených potravin, můžete všechny zásobníky vyndat. Potraviny můžete ukládat na sebe přímo na odkládací plochu a dno mrazicího prostoru.

Upozornění

Zabraňte kontaktu mezi potravinami a zadní stěnou. Jinak se omezí cirkulace vzduchu.

Potraviny nebo obaly mohou pevně přimrznout na zadní stěnu.

Vyjmutí dílů vybavení

Vytáhněte zásobník zmrazených potravin až na doraz, vpředu jej nadzvedněte a vyndejte. Obrázek **7**

Chladicí prostor

Chladicí prostor je ideálním místem pro uložení masa, uzenin, ryb, mléčných výrobků, vajec, hotových pokrmů a pečiva.

Dodržujte při uložení

- Ukládejte čerstvé, nepoškozené potraviny. Zůstane tak déle zachována kvalita a čerstvost.
- U hotových výrobků a plněného zboží dbejte na datum minimální trvanlivosti nebo datum spotřeby uvedené výrobcem.

- Aby se zachovalo aroma, barva a čerstvost, uspořádejte potraviny dobře zabalené nebo zakryté. Tím se zabrání přenosu chutí a zabarvení plastových dílů v chladicím prostoru.
- Teplé pokrmy a nápoje nechte nejdříve vychladnout, potom je postavte do spotřebiče.

Upozornění

Neblokujte výstupní otvory vzduchu potravinami, abyste neomezili cirkulaci vzduchu. Potraviny, které budou uloženy v bezprostřední blízkosti výstupních otvorů vzduchu, mohou vlivem unikajícího studeného vzduchu zmrznout.

Dbejte na chladicí zóny v chladicím prostoru

Vlivem cirkulace vzduchu vzniknou v chladicím prostoru rozdílně chladné zóny:

- Nejchladnější zóna je v horní oblasti chladicího prostoru.

Upozornění

V nejchladnější zóně skladujte choulostivé potraviny (např. ryby, salám, maso).

- Nejteplejší zóna je úplně dole na dveřích a v zásobníku na zeleninu.

Upozornění

V nejteplejší zóně uložte např. tvrdý sýr a máslo. Sýr tak může dále rozvinout své aroma, máslo zůstane roztíratelné.

Zásobník na zeleninu

Obrázek **11**/9

Při vyšší vlhkosti vzduchu zůstane listová zelenina déle čerstvá. Zelenina a ovoce by se měly uchovávat při trochu nižší vlhkosti vzduchu.

Vlhkost vzduchu v zásobníku na zeleninu je závislá na množství uchovávaných potravin.

Upozornění

Příliš vysoká vlhkost vzduchu může vést k tvorbě kapající vody a tím k hnilobnému rozkladu.

Mrazicí prostor


Použití mrazicího prostoru

- K uložení hlubocezmrazených potravin.
- K výrobě ledových kostek.
- Ke zmrazování potravin.

Upozornění

Dbejte na to, aby dveře mrazicího prostoru byly vždy zavřené! Při otevřených dveřích zmrazené potraviny rozmraznou a mrazicí prostor se silně pokryje námrazou. Kromě toho: Plýtvání energií vlivem vysoké spotřeby elektrického proudu!

Max. mrazicí kapacita

Údaje o max. mrazicí kapacitě za 24 hodin najdete na typovém štítku. Obrázek 

Předpoklady pro max. mrazicí kapacitu

- Před vložením čerstvých potravin zapněte superzmrazování (viz kapitola Superzmrazování).
- Vydejte zásobníky; potraviny ukládejte na sebe přímo na odkládací plochu a dno mrazicího prostoru.
- Větší množství potravin zmrazujte přednostně v nejhořejší přihrádce. Tam se zmrazí obzvláště rychle a tím také šetrně.

Zmrazování a uložení

Nákup hlubocezmrazených pokrmů

- Nesmí být poškozený obal
- Dbejte na datum trvanlivosti.
- Teplota v prodejním mrazicím pultu musí být -18 °C nebo nižší.
- Hlubocezmrazené pokrmy přepravujte pokud možno v izolované tašce a rychle uložte do mrazicího prostoru.

Při uspořádání dodržujte

- Větší množství potravin zmrazujte přednostně v nejhořejší přihrádce. Tam se zmrazí obzvláště rychle a tím také šetrně.
- Položte potraviny celoplošně do přihrádek, případně zásobníků zmrazených potravin.

Upozornění

Již zmrazené potraviny se nesmí dotýkat čerstvě zmrazených potravin. Případně zmrazené potraviny přemístěte do jiných zásobníků zmrazených potravin.

Uložení zmrazeného zboží

Zasuňte zásobník zmrazených potravin až na doraz, abyste zajistili bezvadnou cirkulaci vzduchu.

Zmrazování čerstvých potravin

Ke zmrazování používejte pouze čerstvé a bezvadné potraviny.

Aby se pokud možno dobře uchovala nutriční hodnota, aroma a barva, měla by se zelenina před zmrazením blanžirovat. U baklažánů, paprik, cuket a chřestu není blanžírování nutné.

Literaturu o zmrazování a blanžírování najdete v knihkupectvích.

Upozornění

Již zmrazené potraviny se nesmí dotýkat zmrazených potravin.

- Ke zmrazování jsou vhodné: Pekařské výrobky, ryby a mořské plody, maso, zvěřina a drůbež, zelenina, ovoce, bylinky, vejce bez skořápků, mléčné výrobky jako jsou sýry, máslo a tvaroh, hotové pokrmy a zbytky pokrmů jako jsou polévky, jídla z jednoho hrnce, tepelně upravované maso a ryby, pokrmy z brambor, nákypy a moučnicků.

- Ke zmrazování nejsou vhodné: Druhy zeleniny, které se obvykle konzumují syrové, jako jsou listové saláty nebo ředkvičky, vejce ve skořápce, hrozny, celá jablka, hrušky a broskve, natvrdo uvařená vejce, jogurt, sražené mléko, kyselá smetana, crème fraîche a majonéza.

Zabalení zmrazených potravin

Potraviny neprodyšně zabalte, aby neztratily chuť nebo nevyschly.

1. Vložte potraviny do obalu.
2. Vytlačte vzduch.
3. Obal těsně uzavřete.
4. Napište na obal obsah a datum zmrazení.

Jako obal jsou vhodné:

Plastové fólie, hadicové fólie z polyetylénu, hliníkové fólie, mrazicí dózy. Tyto výrobky jsou k zakoupení v odborných prodejnách.

Jako obal nejsou vhodné:

Balící papír, pergamenový papír, celofán, pytlíky na odpadky a použité plastové nákupní tašky.

K uzavření jsou vhodné:

Pryžové kroužky, umělohmotné sponky, vázací vlákna, lepicí pásky odolné proti chladu nebo pod.

Sáčky a hadicové fólie z polyetylénu můžete svařit fóliovým svařovacím přístrojem.

Trvanlivost zmrazených potravin

Trvanlivost je závislá na druhu potravin.

Při teplotě -18 °C:

- Maso, salámy, hotová jídla, pečivo: až 6 měsíců

- Sýry, drůbež, maso: až 8 měsíců
- Ovoce, zelenina: až 12 měsíců

Superzmrazování

Potraviny by se měly zmrazit pokud možno rychle až na jádro, aby zůstaly zachovány vitaminy, výživné hodnoty, vzhled a chuť.

Několik hodin před vložením čerstvých potravin zapněte superzmrazování, abyste zabránili nežádoucímu vzestupu teploty.

Všeobecně stačí 4–6 hodin.

Spotřebič pracuje po zapnutí trvale, v mrazicím prostoru se dosáhne velmi nízké teploty.

Jestliže se má využít max. mrazicí kapacity, je nutno 24 hodin před vložením čerstvých potravin zapnout superzmrazování.

Menší množství potravin (do 2 kg) lze zmrazit bez superzmrazování.

Upozornění

Je-li zapnuto superzmrazování, může docházet ke zvýšenému provoznímu hluku.

Zapnutí a vypnutí

Obrázek **2**

Stiskněte nastavovací tlačítko teploty 1 tolikrát, až ukazatel "super" 2 svítí.

Superzmrazování se automaticky vypne, nejpozději za cca 2½ dne.

Rozmrazení zmrazených potravin

Podle způsobu a účelu použití lze volit mezi následujícími možnostmi:

- při teplotě místnosti
- v chladničce
- v elektrické pečicí troubě, s/bez ventilátoru horkého vzduchu
- v mikrovlnné troubě

Pozor

Částečné rozmrazené nebo rozmrazené potraviny znovu nezmrazujte. Teprve po zpracování na hotový pokrm (vařený nebo pečený) je lze opětovně zmrazit.

Nevyužívejte plně max. doby skladování zmrazených potravin.

Vybavení

Odkládací plochy vnitřního prostoru a přihrádky ve dveřích můžete podle potřeby měnit:

- Táhněte odkládací plochu dopředu, spusťte ji a odklopte na stranu. Obrázek **6**
- Nadzvedněte a vyndejte přihrádku na dveřích. Obrázek **5**

Zvláštní vybavení

(není u všech modelů)

Přihrádka na máslo a sýry

Lehkým stisknutím uprostřed klapky přihrádky na máslo se přihrádka na máslo otevře.

Přihrádku k čištění dole nadzvedněte a vyndejte.

Chladicí akumulátor

Při výpadku elektrického proudu nebo poruše zpomaluje chladicí akumulátor ohřev uchovávaných zmrazených potravin. Nejdelší doby uložení se dosáhne tím, že položíte chladicí akumulátor na potraviny v nejhořejší přihrádce.

K přechodnému udržování chladu potravin, např. v chladicí tašce, lze chladicí akumulátor také vyndat.

Miska na led

Obrázek **8**

1. Naplňte misku na led do $\frac{3}{4}$ pitnou vodou a postavte ji do mrazicího prostoru.
2. Přimrznutou misku na led uvolňujte pouze pomocí tupého předmětu (rukojeť lžičky).
3. K uvolnění kostek ledu podržte misku na led krátce pod tekoucí vodou nebo led uvolněte lehkým zkroucením misky.

Snídaňový set

Obrázek **9**

Zásobníky snídaňového setu lze jednotlivě vyndat a naplnit.

Odkládání láhví

Obrázek **10**

Do odkládání láhví lze láhve bezpečně odkládat.

Indikační nálepka “OK”

(není u všech modelů)

Pomocí indikační nálepky “OK” můžete zkontrolovat, zda jsou v chladicí přihrádce dosaženy bezpečné teplotní rozsahy doporučené pro potraviny +4 °C nebo chladnější. Pokud indikační nálepka neukazuje “OK”, teplotu po krocích snižujte.

Upozornění

Po uvedení spotřebiče do provozu to může trvat až 12 hodin, než je dosaženo nastavené teploty.



Správné nastavení

Vypnutí a odstavení spotřebiče

Vypnutí spotřebiče

Vytáhněte sířovou zástrčku nebo vypněte pojistkový automat.

Chladicí stroj se vypne.

Odstavení spotřebiče

Nebudete-li spotřebič delší dobu používat:

1. Vytáhněte sířovou zástrčku nebo vypněte pojistkový automat.
2. Vyčistěte spotřebič.
3. Dveře spotřebiče nechte otevřené.

Čištění spotřebiče



Pozor

- Nepoužívejte žádné čisticí prostředky a rozpouštědla obsahující písek, chloridy nebo kyseliny.
- Nepoužívejte žádné abrazivní nebo drsné houby.

Na kovovém povrchu může vzniknout koroze.

- Nikdy nemyjte odkládací plochy a zásobníky v myčce nádobí.

Díly se mohou zdeformovat!

Mycí voda se nesmí dostat do těchto oblastí:

- Ovládací prvky
- Osvětlení
- Větrací otvory
- Otvory v dělicí desce

Postupujte následovně:

1. Vytáhněte sířovou zástrčku nebo vypněte pojistkový automat.
2. Vyndejte zmrazené potraviny a uložte je na chladném místě. Položte chladicí akumulátor (je-li přiložen) na potraviny.
3. Mycí voda se nesmí dostat do ovládacích prvků, osvětlení, větracích otvorů nebo otvorů dělicí desky!
Vyčistěte spotřebič měkkým hadříkem, vlažnou vodou a pH-neutrálním mycím prostředkem.
4. Těsnění dveří otřete pouze čistou vodou a potom je důkladně dosucha vytřete.
5. Po čištění: spotřebič znovu zapněte.
6. Znovu vložte zmrazené potraviny.

Vybavení

K čištění se všechny variabilní díly spotřebiče nechají vyndat.

Vyndání odkládací plochy ve dveřích

Obrázek 5

Nadzvedněte a vyndejte odkládání.

Vyndání skleněných odkládacích ploch

Táhněte skleněné odkládací plochy směrem dopředu a vyndejte je.

Vyndání zásobníku

Obrázek 7

Vytáhněte zásobník až k dorazu, vpředu jej nadzvedněte a vyndejte.

Vyndání zásobníku zmrazených potravin

Obrázek 7

Vytáhněte zásobník zmrazených potravin až na doraz, vpředu jej nadzvedněte a vyndejte.

Osvětlení (diody LED)

Váš spotřebič je vybaven osvětlením diodami LED, nevyžadujícím údržbu.

Opravy tohoto osvětlení smí provádět pouze zákaznický servis nebo autorizovaní odborníci.

Šetření energie

- Spotřebič postavte v suché, větrané místnosti! Neměl by být umístěn v přímém slunečním záření nebo v blízkosti tepelného zdroje (např. otopné těleso, kamna).
Použijte případně izolační desku.
- Teplé potraviny a nápoje nechejte nejdříve vychladnout, potom je postavte do spotřebiče.
- Zmrazené zboží položte k rozmrazení do chladicího prostoru a využijte jeho chladu ke chlazení potravin.
- Otevírejte spotřebič pokud možno co nejkratší dobu.
- Pro dosažení nejnižší spotřeby: Zajistěte postranní odstup od zdi.
- Uspořádání dílů vybavení nemá žádný vliv na spotřebu energie spotřebiče.

Provozní hluky

Úplně normální hluky

Upozornění

Je-li zapnuto superzmrazování, může docházet ke zvýšenému provoznímu hluku.

Bručení

Běží motory (např. chladicí agregáty, ventilátor).

Bublavé, bzučivé nebo klokotavé hluky

Chladivo protéká trubkami.

Cvaknutí

Zapnutí/vypnutí motoru, spínače nebo magnetických ventilů.

Prasknutí

Provádí se automatické odmrazování.

Zabránění hlučnosti

Spotřebič nestojí vodorovně

Postavte prosím spotřebič pomocí vodováhy vodorovně. Použijte k tomu šroubovací nohy nebo jej trochu podložte.

Spotřebič “stojí na”

Odsuňte spotřebič od přistaveného nábytku nebo spotřebičů.

Zásobníky nebo odkládací plochy se viklají nebo jsou vzpříčené

Zkontrolujte prosím vyjímatelné díly a eventuálně je znovu nasadte.

Láhve nebo nádoby se dotýkají

Odsuňte prosím láhve nebo nádoby lehce od sebe.

Odstranění malých poruch vlastními silami

Dříve než zavoláte zákaznický servis:

Zkontrolujte, zda na základě následujících pokynů nemůžete poruchu odstranit sami.

Náklady za poradenství zákaznickým servisem musíte převzít sami – také během záruční doby.

Porucha	Možná příčina	Odstranění
Teplota se značně liší od nastavení.		V některých případech stačí, když spotřebič na 5 minut vypnete. Je-li teplota příliš vysoká, zkontrolujte po několika hodinách, zda došlo k aproximaci teploty. Je-li teplota příliš nízká, zkontrolujte druhý den teplotu ještě jednou.
Zazní výstražný akustický signál. Bliká ukazatel teploty. Obrázek 2 /3	Žádná porucha - v mrazicím prostoru je příliš vysoká teplota! Nebezpečí pro zmrazené potraviny. Spotřebič je otevřený.	K vypnutí výstražného akustického signálu stiskněte nastavovací tlačítko teploty obrázek 2 /1. Zavřete spotřebič.
	Jsou zakryté větrací a odvětrávací otvory.	Zajistěte větrání a odvětrávání.
	Ke zmrazování bylo jednorázově vloženo příliš mnoho potravin.	Nepřekračujte max. mrazicí kapacitu.
		Po odstranění poruchy přestane ukazatel teploty blikat.

Porucha	Možná příčina	Odstranění
Teplota v mrazicím prostoru je příliš vysoká.	Časté otevření spotřebiče.	Spotřebič zbytečně neotvírejte.
	Jsou zakryté větrací a odvětrávací otvory.	Odstraňte překážky.
	Zmrazení většího množství čerstvých potravin.	Nepřekračujte max. mrazicí kapacitu.
Nefunguje osvětlení.	Osvětlení diodami LED je vadné.	Viz kapitola "Osvětlení (diody LED)".
	Spotřebič byl příliš dlouho otevřen. Osvětlení se po cca 10 minutách vypne.	Po zavření a otevření spotřebiče je osvětlení znovu zapnuto.
Redukovaná svítivost ovládacích prvků.	Nebyl-li spotřebič nějakou dobu obsluhován, přejde indikace ovládacího panelu na režim šetření energie.	Jakmile je spotřebič opět používán, např. při otevření dveří, přepne se indikace opět na normální osvětlení.
Nesvídí žádná indikace.	Výpadek elektrického proudu; zareagovala pojistka; síťová zástrčka není pevně zastrčená.	Připojte síťovou zástrčku. Zkontrolujte, zda je k dispozici elektrický proud, přezkoušejte pojistku.
Spotřebič nechladí, svítí ukazatel teploty a osvětlení.	Je zapnutý předváděcí režim.	Držte po dobu 10 sekund stisknuté tlačítko pro nastavení teploty obrázek 2 /1 až zazní potvrzovací signál. Zkontrolujte po nějaké době, zda Váš spotřebič chladí.
Dveře mrazicího prostoru byly delší dobu otevřené; teplota nebude dosažená.	Odpařovač (chladicí zařízení) v NoFrost systému je silně pokryt ledem, že se plně automaticky neodmrazí.	K odmrazení odpařovače vyndejte zmrazené potraviny se zásuvkami a uložte je dobře izolované na chladném místě. Vypněte spotřebič a odsuňte jej od stěny. Nechejte dveře spotřebiče otevřené. Po cca 20 minutách začne do odpařovací misky na zadní straně spotřebiče přitékat zkondenzovaná voda. Abyste v tomto případě zabránili přetečení odpařovací misky, odsajte zkondenzovanou vodu houbou. Nepřitéká-li už do odpařovací misky žádná voda, je odpařovač odmrazený. Vyčistěte vnitřní prostor. Uveďte spotřebič opět do provozu.

Zákaznický servis

Zákaznický servis ve Vaší blízkosti najdete v telefonním seznamu nebo v seznamu zákaznických servisů.

Zákaznickému servisu uveďte číslo výrobku (E-Nr.) a výrobní číslo (FD-Nr.) spotřebiče.

Tyto údaje najdete na typovém štítku.

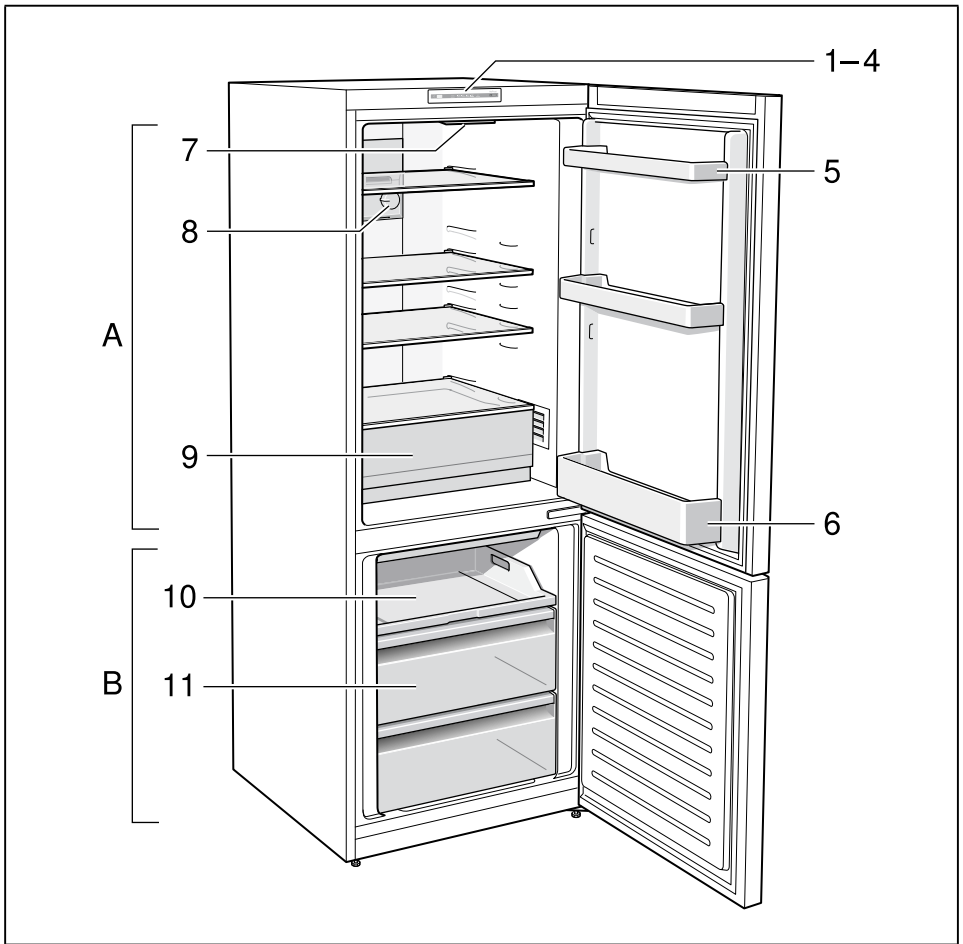
Obrázek **11**

Uvedením čísla výrobku a výrobního čísla nám prosím pomozte zabránit zbytečným výjezdům. Ušetříte s tím spojené vyšší náklady.

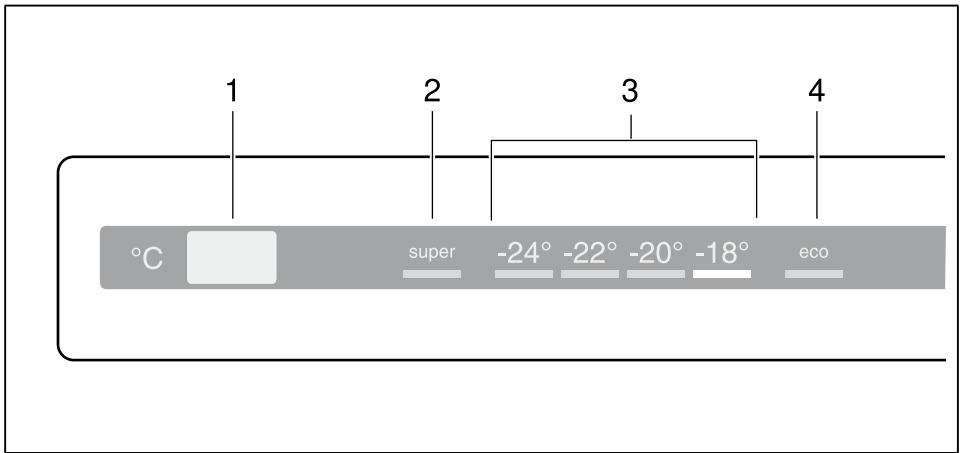
Objednávka opravy a poradenství při poruchách

Kontaktní údaje všech zemí najdete v příloženém seznamu zákaznických servisů.

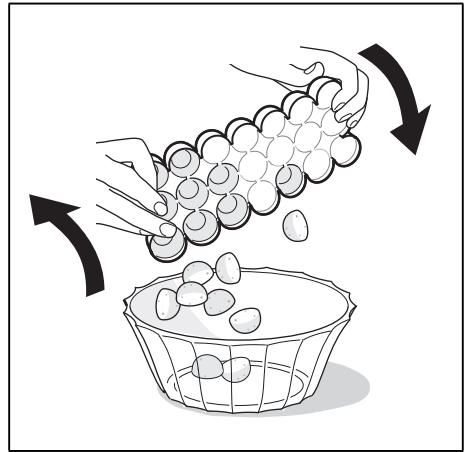
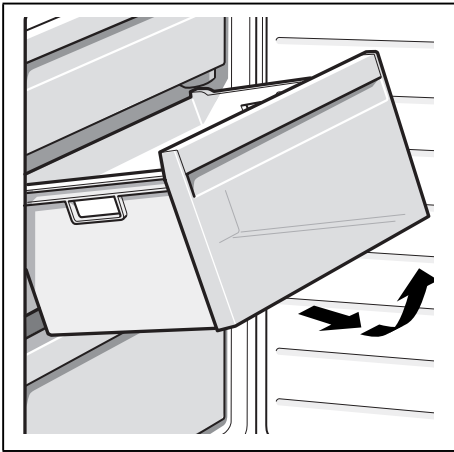
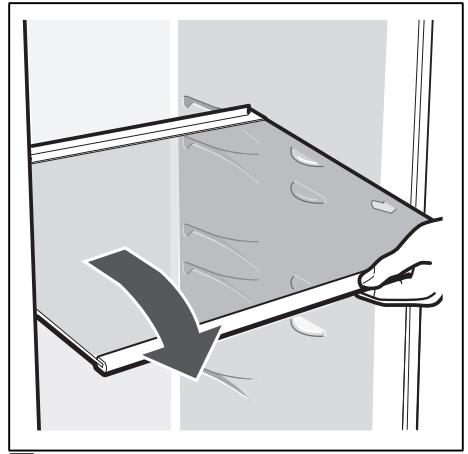
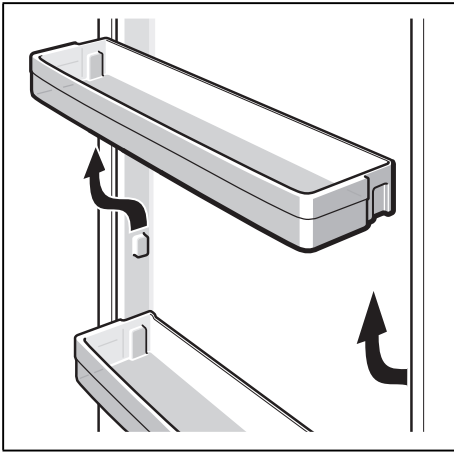
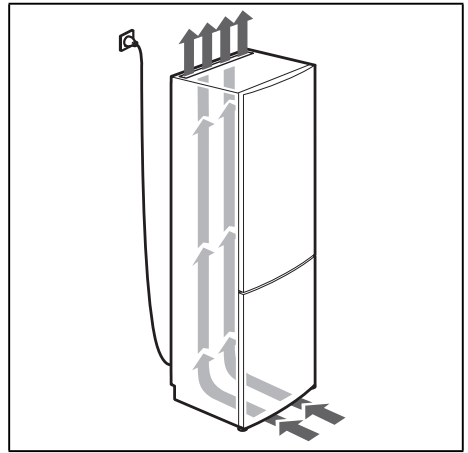
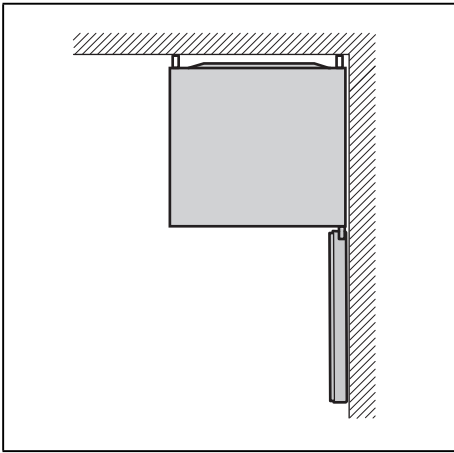
CZ 251 095 546

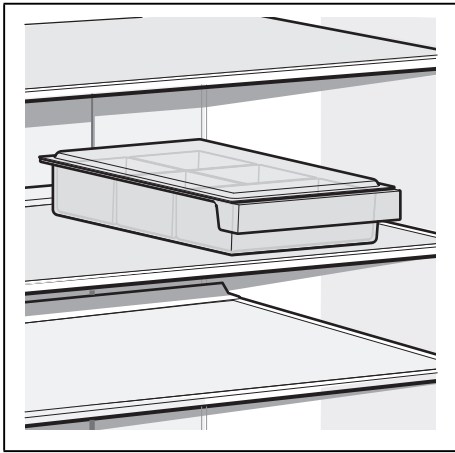


1

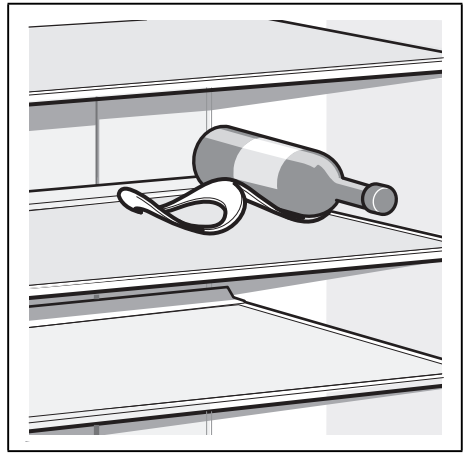


2

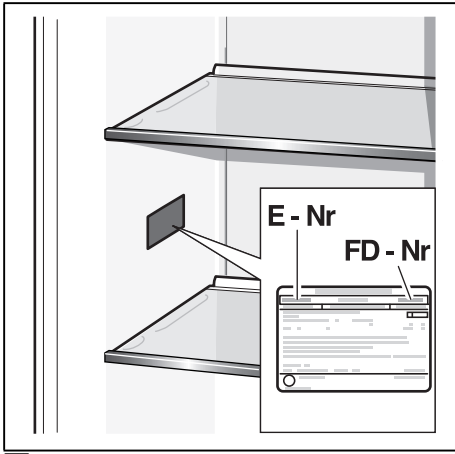




9



10



11



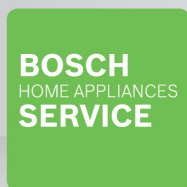
Thank you for buying a Bosch Home Appliance!

Register your new device on MyBosch now and profit directly from:

- **Expert tips & tricks for your appliance**
- **Warranty extension options**
- **Discounts for accessories & spare-parts**
- **Digital manual and all appliance data at hand**
- **Easy access to Bosch Home Appliances Service**

Free and easy registration – also on mobile phones:

www.bosch-home.com/welcome



Looking for help? You 'll find it here.

Expert advice for your Bosch home appliances, need help with problems or a repair from Bosch experts.

Find out everything about the many ways Bosch can support you:

www.bosch-home.com/service

Contact data of all countries are listed in the attached service directory.

Bosch Home Appliance Group

P.O. Box 83 01 01

D-81701 Munich

Germany

www.bosch-home.com



8001017096 (9810)

en, tr, ru, sl, cs