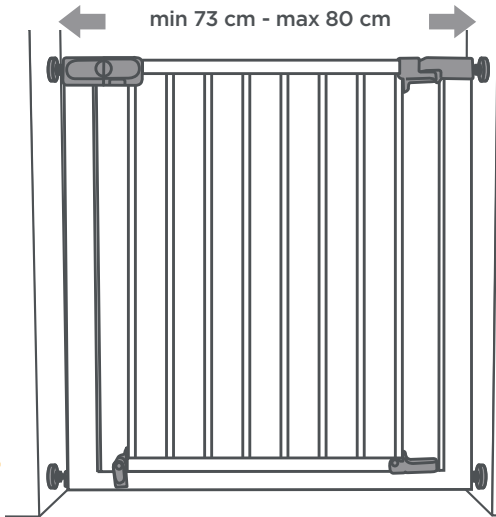


Safety 1st®

U Pressure Fit


EASY CLOSE METAL



watch
the helpful
installation
video



www.safety1st.com



IMPORTANT! READ AND
FOLLOW THESE INSTRUCTIONS
CAREFULLY AND KEEP FOR
FUTURE REFERENCE.

Index

Instructions for use/Warranty



5



19



12



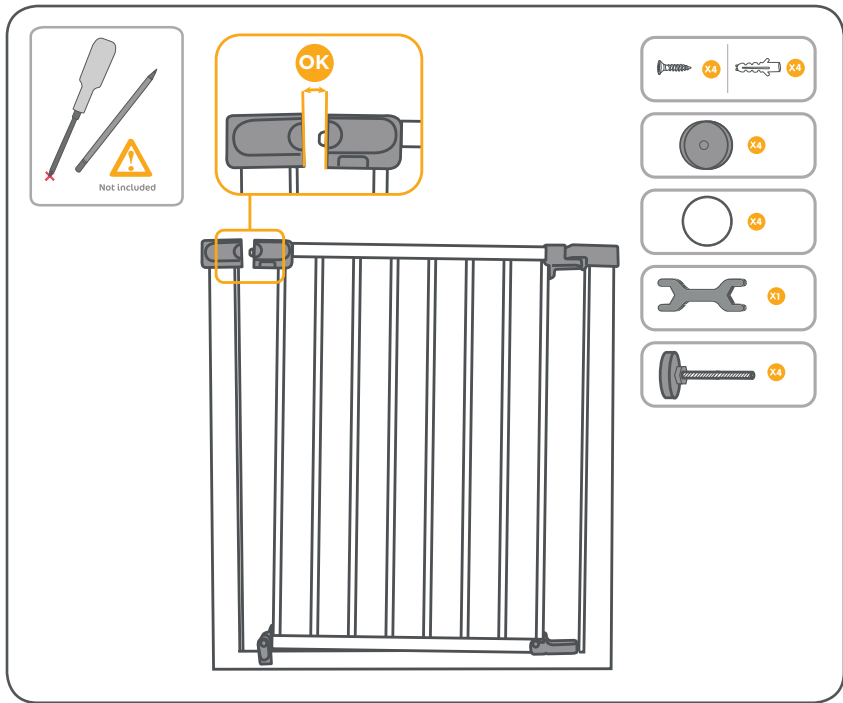
14



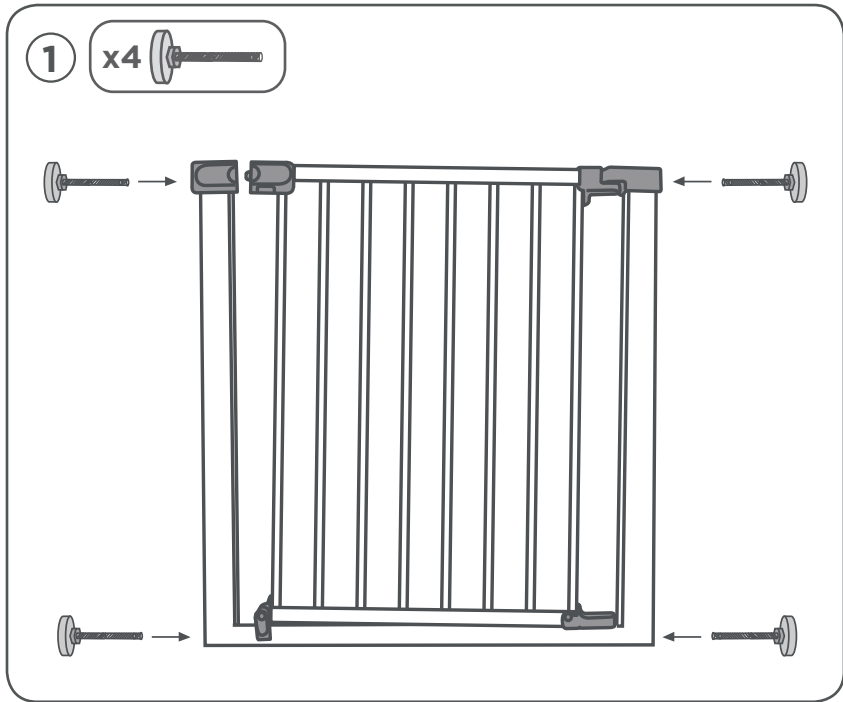
Congratulations on your purchase.

To ensure maximum protection and optimum comfort for your child, it is essential that you read through the entire manual carefully and follow all instructions. The safety barrier/gate is suitable for use with children and pets. Instructions for adult assembly products.

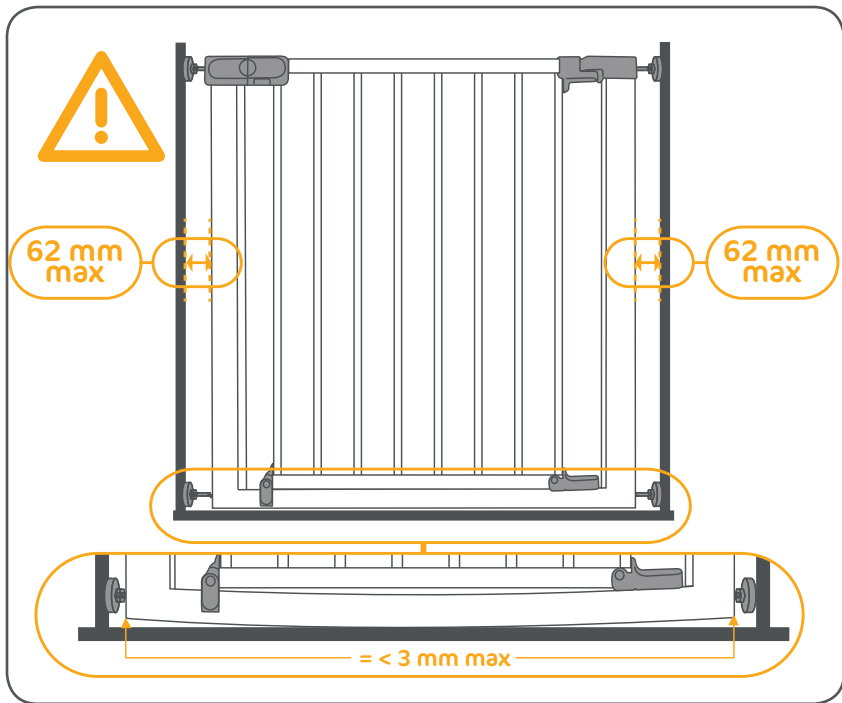




5



6



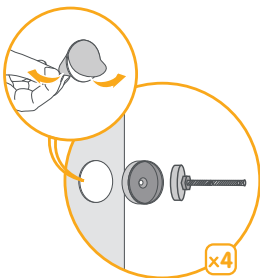


Option A

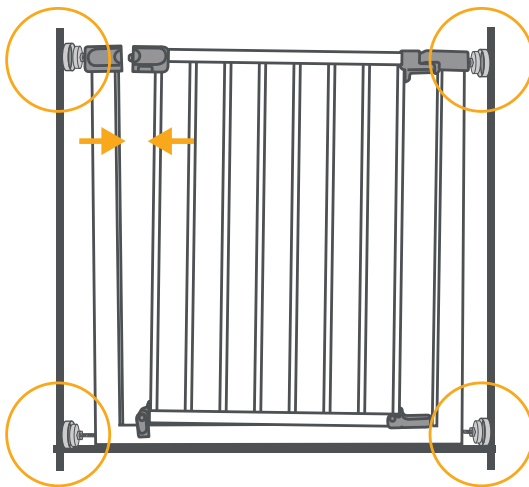


2

x4



x4

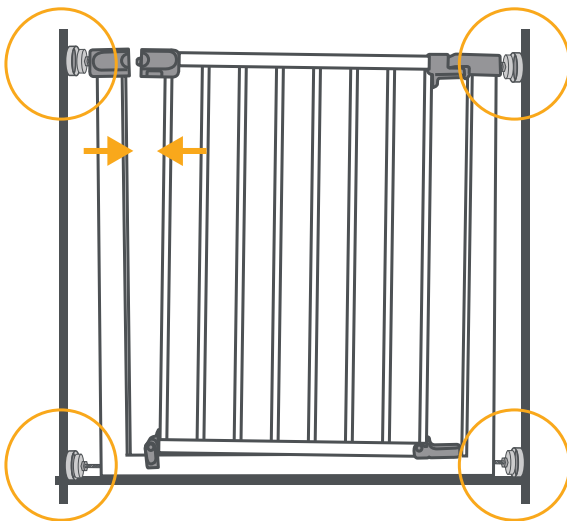
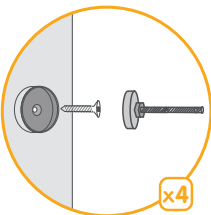


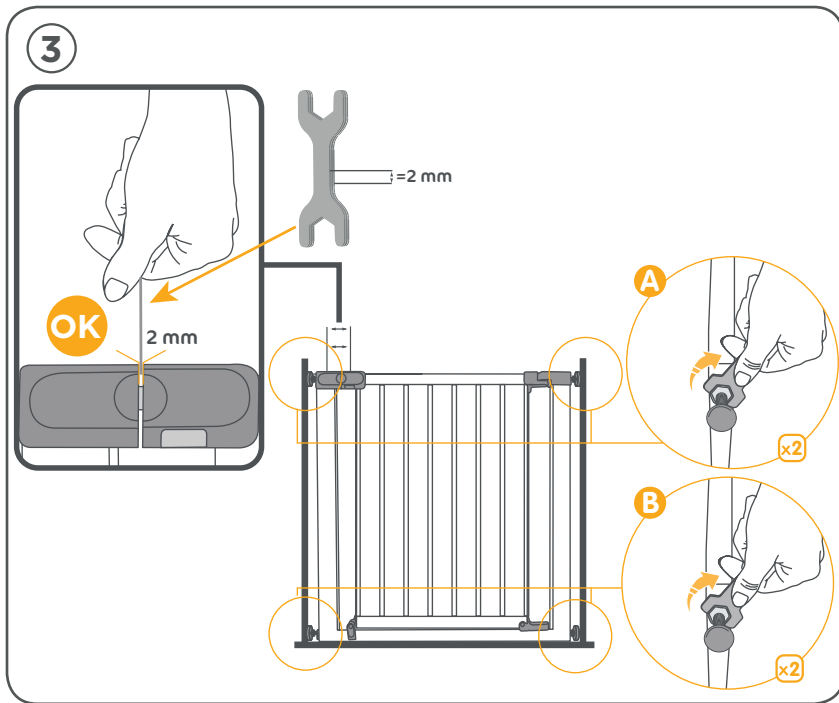
Option B

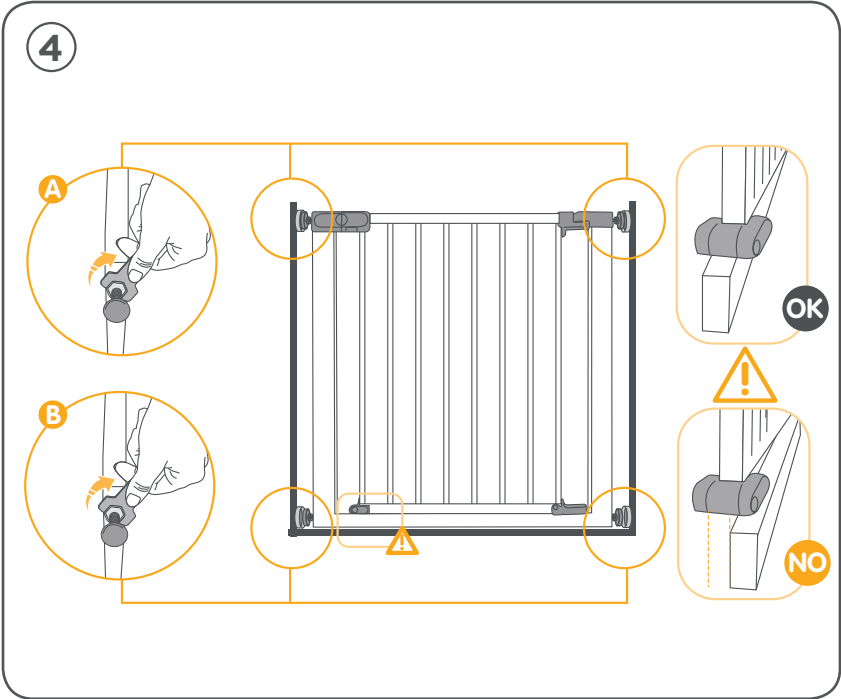


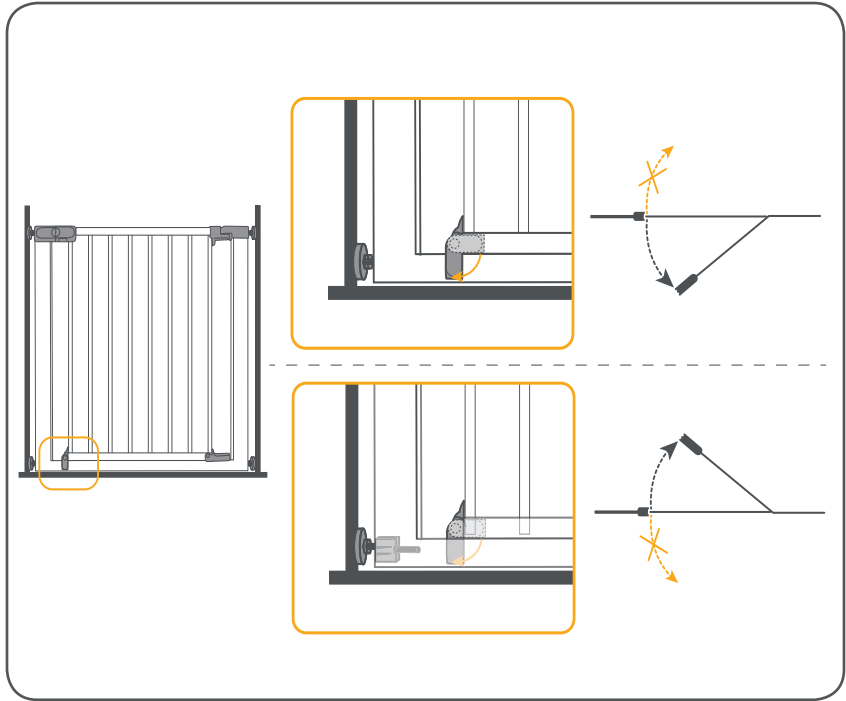
2

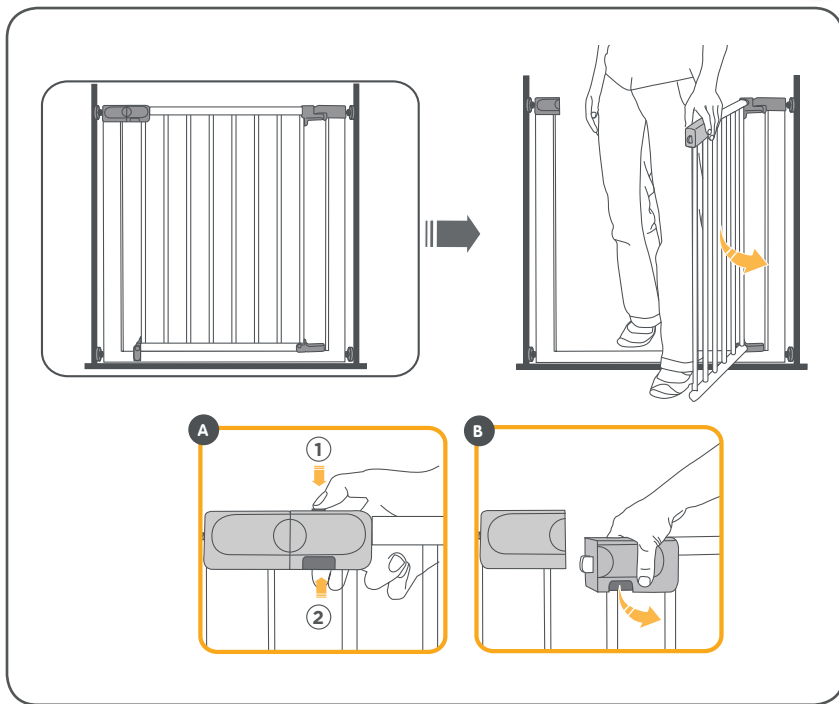
x4





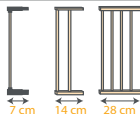




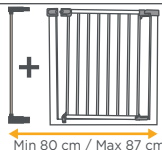




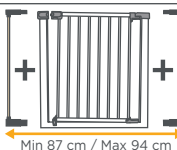
OPTIONAL EXTRA



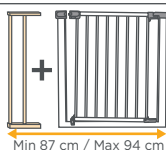
Min.	Max.	Extensions	Min.	Max.	Extensions
73 cm	80 cm	/	108 cm	115 cm	1x7 cm + 1x28cm
80 cm	87 cm	7 cm	115 cm	122 cm	1x14 cm + 1x28cm
87 cm	94 cm	2x7cm or 1x14cm	122 cm	129 cm	1x14cm+1x7cm+1x28cm
94 cm	101 cm	1x7cm + 1x14cm	129 cm	136 cm	2x28cm
101 cm	108 cm	2x14cm or 1x28cm			



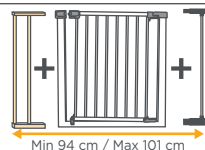
Min 80 cm / Max 87 cm



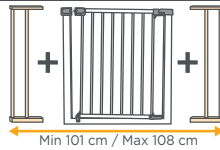
Min 87 cm / Max 94 cm



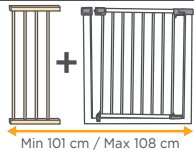
Min 87 cm / Max 94 cm



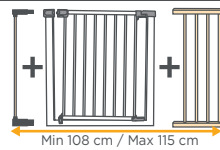
Min 94 cm / Max 101 cm



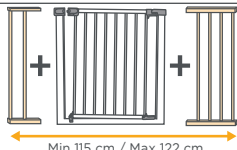
Min 101 cm / Max 108 cm



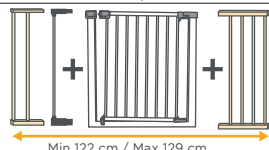
Min 101 cm / Max 108 cm



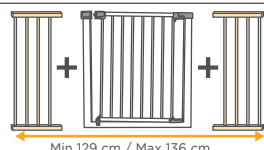
Min 108 cm / Max 115 cm



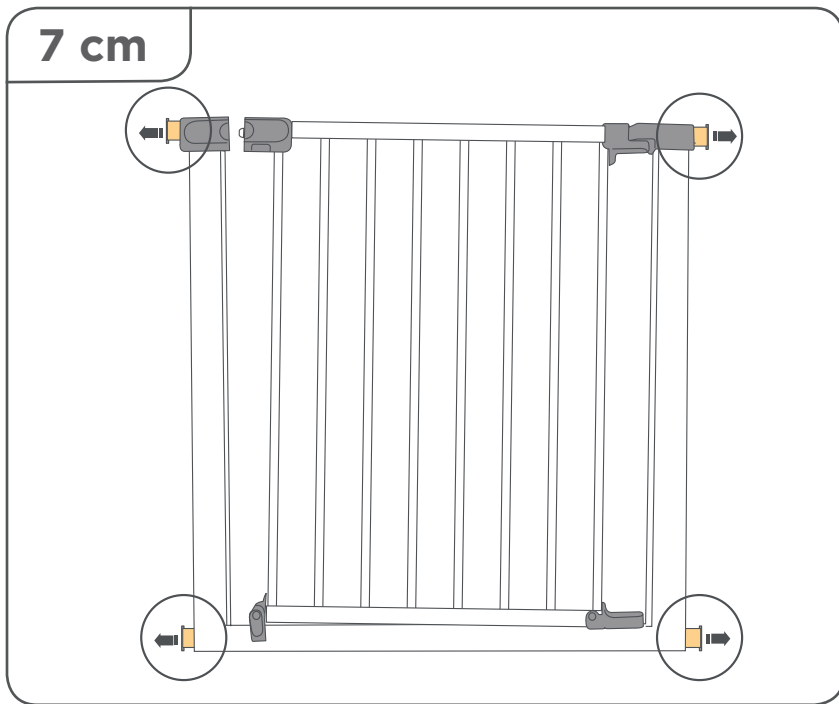
Min 115 cm / Max 122 cm

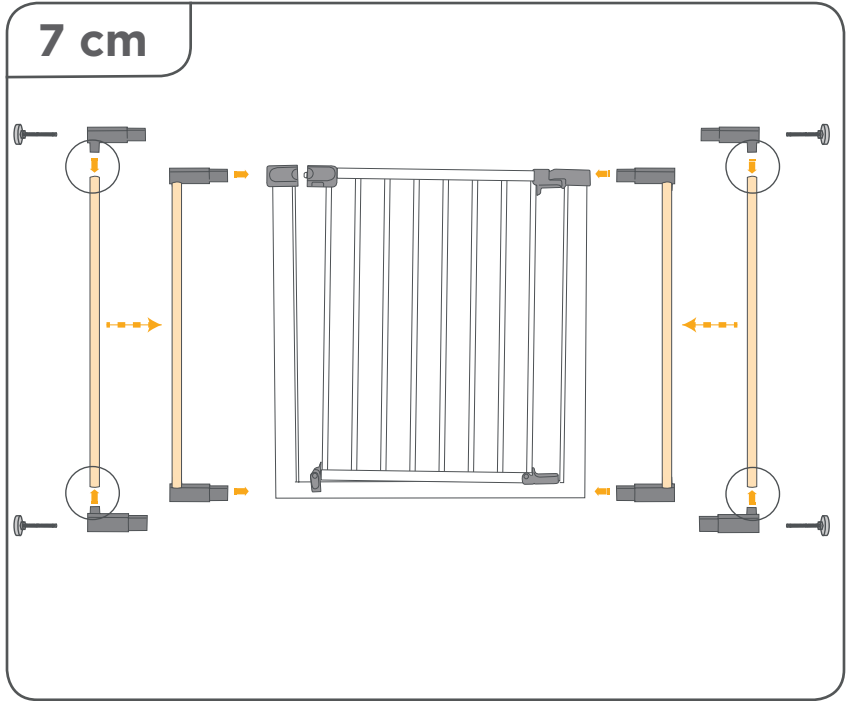


Min 122 cm / Max 129 cm



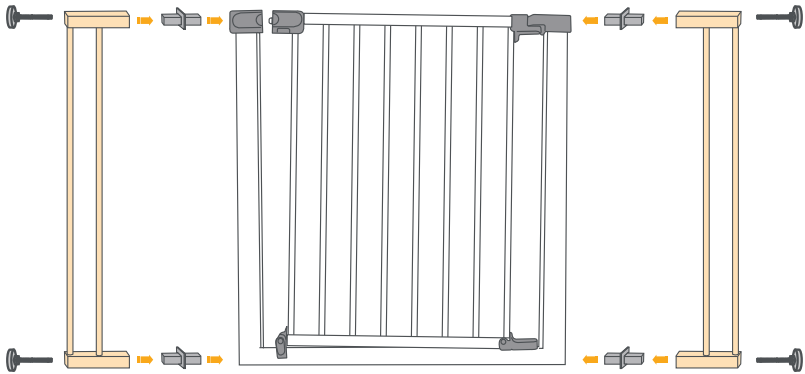
Min 129 cm / Max 136 cm





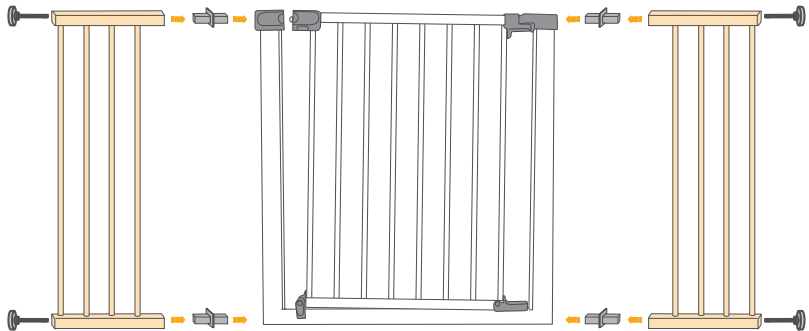


14 cm





28 cm





General U Pressure Fit Easy Close Metal instructions.

Complies with safety requirements - Tested in an approved laboratory in accordance with order no. 91-1292 - December 1991.

safety barrier complies with EN 1930:2011. The barrier is suitable for openings from a minimum of 73 cm, up to a maximum of 136 cm. Intended for children between the ages of 6 and 24 months.

This safety barrier is for domestic use only. Safety barrier should be checked regularly to ensure that it is secure and functioning in accordance with these instructions.

Safety barrier with manual closing system. The Safety barrier/gate is suitable for use with children and pets.

Any safety barrier/gate which has been subjected to misuse, abuse, abnormal use, excessive wear and tear, or improperly installed will invalidate any claim against the manufacturer.

Damage to property during installation of the safety barrier/gate is the sole responsibility of the end user. If the gate is used at the top of the stairs we recommend that the gate opens over the landing and not the stairs.

When opening and closing the safety barrier/gate be aware of trapping children's hands, fingers or limbs.

Check that the Safety Gate is correctly closed.

CAUTION :

Used correctly, this barrier is designed to prevent accidents.

Children should never be left unattended. Incorrect positioning of the safety barrier in relation to the stairway may present a danger for your child. If the safety barrier is used at the top of the stairs, it should not be positioned below the top level.

If the safety barrier is used at the bottom of the stairs, it should be positioned at the front of the lowest tread possible.

WARNING:

Incorrect fitting or positioning of this safety barrier can be dangerous.

WARNING:

Do not use the safety barrier if any components are damaged or missing.

WARNING:

The safety barrier must not be fitted across windows. Ensure that the wall, door frame or newel post to which you fix the barrier is solid, stable, smooth and has non-greasy.

WARNING:

Stop using the barrier if the child is capable of climbing it.

Danger to older children climbing over the safety barrier.

Any additional or replacement parts should only be obtained from the manufacturer or distributor. Safety barrier should be checked regularly to ensure that it is properly fixed, secure and functioning.

WARNING:

Never use without wall cups.

Advice:

Always keep an eye on the child, since children quickly become more independent.

Maintenance:

Wash with a sponge and mild soap. Remember that all mechanical products need regular maintenance and careful use if they are to provide maximum satisfaction and last a long time.



Warranty

Dear Customer,

Thank you for the confidence you have shown in us by choosing one of our products. We hope it will meet all your expectations. This certificate indicates that this product has been manufactured according to the quality standards applicable and that it has been subjected to numerous checks during the various manufacturing stages. Should an anomaly occur during the warranty period, we will respect the conditions stipulated in the guarantee.

Guarantee Certificate:

We guarantee that this product complies with the security regulations currently in effect, and that it is free from defects in material and craftsmanship at the time it is purchased by the retailer.

If this product fails within 24 months of the original purchase and under normal use as defined in the user's manual, we will repair or replace the product (for more information regarding our warranty policy, ask your retailer or consult our website), except in the following cases:

- Use and purpose other than those indicated in the instructions for use.
- Installation not in accordance with the instructions.
- Repair carried out by a non-approved person or retailer.

- Proof of purchase not presented.
- Product not maintained.
- Replacement of any parts subject to wear (wheels, areas which rub, etc.) during normal use.

From when?

From the date the product is purchased.

For how long?

For 24 consecutive months, non-transferable; only the first purchaser benefits from this.

What do you have to do?

After you purchase your product, you must keep the sales receipt showing the date of purchase.

If a problem should arise, the product must be taken back to the retailer from whom it was bought. Any product sent directly to the manufacturer will not be covered by the guarantee.

This guarantee conforms with European Directive No. 1999/44/EC dated 25 May 1999.













Customer Services : 01284 413 141
Email : uk-customercare@dorel.eu
Monday-Friday : 8.30am - 4.30pm

DOREL (U.K). LTD
Hertsmere House,
Shenley Road,
Borehamwood
Hertfordshire WD6 1TE
UNITED KINGDOM

