

DATE: 12 DEC, 2013
SC NO.:0264/13
JOB-00213-0123
MODEL: EX116AX "ALBA"(QZ116-AX2)
R2 ENGLISH MANUAL FOR APPROVAL
SIZE: 145(W) X 210(H)MM
MATERIAL: 80G WOODFREE PAPER
PRINTING COLOR: BLACK

ALBA

Instruction Manual - Please keep for future reference

CD Micro System



Customer helpline: 0870 600 3030

EX116AX

Contents

Caution..... 1
Location of Controls.....2
Important safety instructions.....3
Power Supply.....4
Intelligent power saving system.....4
Connection of speaker boxes.....4
Operation of radio.....4
Headphone jack.....4
Using the audio line in connection (Aux-input).....4
Insertion & removal of discs.....4
Normal CD operation.....5
Programming the CD-Player.....5
Specifications.....6
Contact details.....7
Product guarantee..... 8

ALBA User Manual



The lightning flash and arrowhead within the triangle is a warning sign alerting you of "dangerous voltage" inside the product.

CAUTION

**RISK OF ELECTRIC SHOCK
DO NOT OPEN**

WARNING: To reduce the risk of electric shock, do not remove cover (or back). No user-serviceable parts inside. Refer servicing to qualified service personnel.



The exclamation point within the triangle is a warning sign alerting you of important instructions accompanying the product.

WARNING:

TO REDUCE THE RISK OF FIRE OR ELECTRIC SHOCK, DO NOT EXPOSE THIS APPLIANCE TO DRIPPING OR SPLASHING LIQUIDS.

NOTE: CAUTION SYMBOLS ARE PRINTED ON BOTTOM OF UNIT. PLEASE REFER TO INSTRUCTION MANUAL.



CAUTION

DO NOT EXPOSE TO DRIPPING OR SPLASHING LIQUIDS!

CAUTION: GROUNDING OR POLARIZATION. THE PRECAUTIONS SHOULD BE TAKEN SO THAT THE WIDER BLADE OF THE AC PLUG MUST MATCH THE SLOT IN RECEPTACLE "WALL SOCKET".

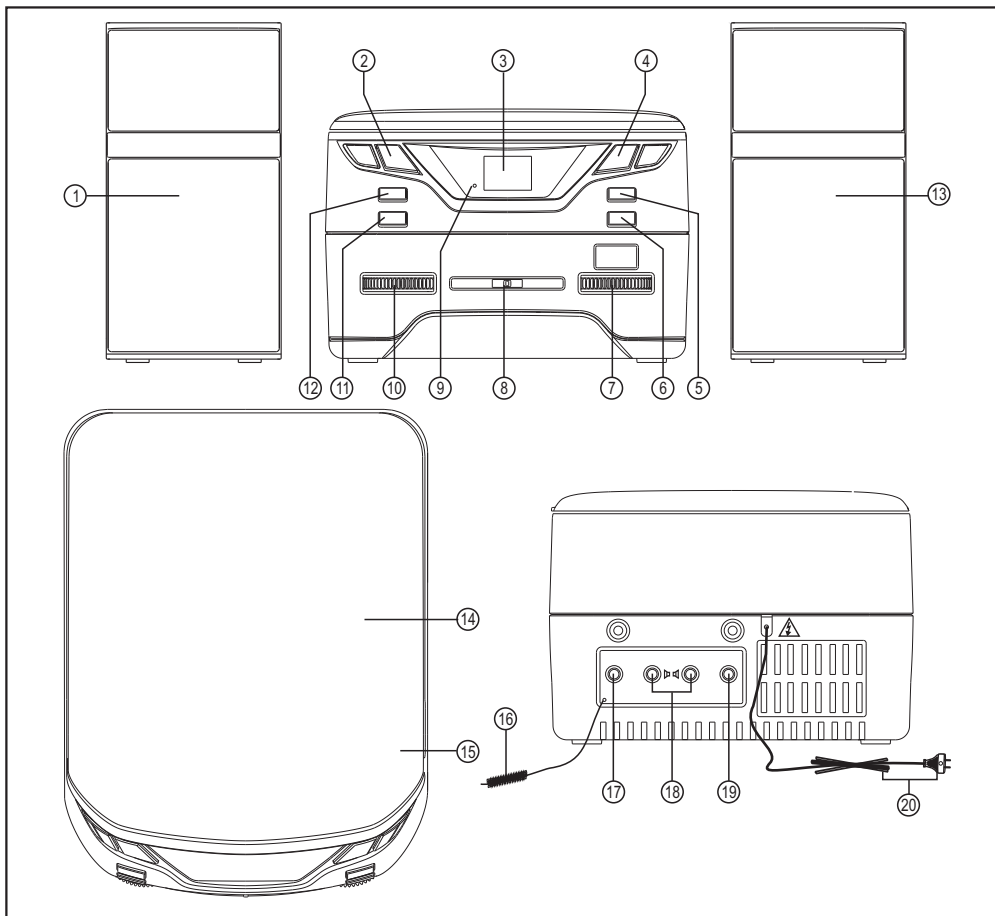
**CAUTION: INVISIBLE LASER RADIATION
WHEN OPEN AND INTERLOCKS
DEFEATED. AVOID EXPOSURE TO BEAM.**

CLASS 1 LASER PRODUCT



WASTE ELECTRICAL PRODUCTS SHOULD NOT BE DISPOSED OF WITH HOUSEHOLD WASTE. PLEASE RECYCLE WHERE FACILITIES EXIST. CHECK WITH YOUR LOCAL AUTHORITY FOR RECYCLING ADVICE.

ALBA User Manual



LOCATION OF CONTROLS

- | | |
|--|--|
| 1. SPEAKER (LEFT) | 11. PROG. KEY |
| 2. STOP KEY | 12. REPEAT KEY |
| 3. LCD DISPLAY | 13. SPEAKER (RIGHT) |
| 4. PLAY/ PAUSE KEY | 14. CD DOOR |
| 5. NEXT KEY | 15. CD DOOR FINGER-GRIP |
| 6. BACK KEY | 16. FM-ANTENNA WIRE |
| 7. RADIO TUNING KNOB | 17. AUX INPUT SOCKET |
| 8. FUNCTION SWITCH
[FM/ CD(AUX)/ OFF] | 18. SPEAKER OUTPUT SOCKETS
(LEFT & RIGHT) |
| 9. POWER LED LIGHT | 19. HEADPHONE SOCKET |
| 10. VOLUME KNOB | 20. AC-CORD & PLUG |

IMPORTANT SAFETY INSTRUCTIONS

Read all instructions before use and keep for future reference.



WARNING - To reduce the risk of fire or electric shock, do not expose this appliance to rain or moisture.



CAUTION - Use of controls or adjustments or performance of procedures other than those specified herein may result in hazardous radiation exposure.

IMPORTANT NOTES

- The main plug shall remain readily operable.
- Ensure a minimum distance of 5cm around the apparatus for sufficient ventilation.
- Ensure that the ventilation is not impeded by covering the ventilation openings with items such as newspapers, table-cloths, curtains, etc.
- Do not place naked flame sources, such as lighted candles on the apparatus.
- Take attention to the environmental aspects of battery disposal.
- Use the apparatus only in moderate climates (not in tropical climates).
- Do not expose the apparatus to dripping or splashing.
- Do not place objects filled with liquids, such as vases, on the apparatus.

WEEE



This appliance is labelled in accordance with European Directive 2002/96/EG concerning used electrical and electronic appliances (waste electrical and electronic equipment - WEEE). The guideline determines the framework for the return and recycling of used appliances as applicable throughout the EU.

PRECAUTIONS

To Maintain Optimum Performance

Do not use the unit in places which are extremely hot, cold, dusty or humid. Do not use or keep the unit in following places.

- In a high humidity area such as a bathroom or near a heater.
- In an area exposed to direct sunlight (where it can become extremely hot).
- Near sources of strong magnetism, such as televisions, speakers, or magnets.
- Where there is a lot of movement, vibration or an unstable shelf.

For safety

- Do not attempt to disassemble this unit. Laser rays from the optical pickup are dangerous to the eyes.
- Make sure that pins or other foreign objects do not get inside the player.
- Take care not to drop the unit or subject it to strong shocks.
- Keep dust from the pickup lens, keep the disc compartment lid closed after use. Never touch the lens.

Mains Lead

- If the external flexible cord of this product is damaged, it shall be exclusively replaced by the manufacturer or his service agent or similar qualified person in order to avoid a hazard.

Ventilation Warning

- Do not allow water or liquids to splash onto the main body as it contains live parts.
- Do not cover the body with a cloth and allow the unit to be well ventilated.



Electrical Requirements

Check that the voltage on the rating plate of your product corresponds with your house electricity supply which must be A.C. (Alternating Current).

If the socket outlets in your home are not suitable for the plug supplied with this product, check with a qualified electrician for replacement.

ALBA User Manual

POWER SUPPLY

- THIS SET WORKS ON NORMAL HOUSEHOLD AC-POWER.
- MAKE SURE THE SET VOLTAGE OF THE UNIT MATCHES YOUR LOCAL VOLTAGE.
- INSERT THE PLUG OF THE AC-CORD INTO A WALL OUTLET WITH AC-POWER.

- IMPORTANT- HOW TO SWITCH POWER "ON"

TO SWITCH ON THE POWER TO THE SET, SLIDE THE FUNCTION SWITCH TO "CD(AUX)" OR "FM".
(SLIDE THE FUNCTION SWITCH TO "OFF" WHEN NOT USING THE UNIT).

INTELLIGENT POWER SAVING SYSTEM

- THIS SET HAS A BUILT-IN POWER SAVING SYSTEM WHICH WILL AUTOMATICALLY PUT THE SET INTO A "STANDBY MODE" TO REDUCE POWER CONSUMPTION WHEN IT DETECTS THAT THE SET IS NOT IN USE.
- THIS AUTOMATIC SWITCHING TO "STANDBY MODE" WILL HAPPEN APPROXIMATELY 15 MINUTES AFTER THE FOLLOWING CIRCUMSTANCES:
 - (A) "CD" MODE: CD PLAYBACK HAS STOPPED (eg. AT THE END OF A DISC).
 - (B) "AUX" MODE: NO INPUT SIGNAL IS DETECTED AT THE AUX INPUT JACK.
- TO RE-ACTIVATE THE UNIT AFTER IT HAS AUTOMATICALLY SWITCHED TO "STANDBY MODE", SIMPLY SLIDE THE FUNCTION SWITCH TO THE "OFF" POSITION & THEN BACK TO THE "CD" OR "AUX" OR "FM" POSITION AS DESIRED.

CONNECTION OF SPEAKER BOXES

- UNWRAP THE SPEAKER-CORDS OF BOTH SPEAKER-BOXES AND INSERT THE LEFT/RIGHT PLUGS INTO SOCKETS IN THE REAR OF MAIN UNIT.
- PLACE THE SPEAKER BOXES AS FAR APART AS POSSIBLE FOR BEST SOUND EFFECT.

OPERATION OF RADIO

- SET THE FUNCTION SWITCH TO "FM".
- ROTATE TUNING KNOB TO TUNE-IN THE DESIRED STATION, AS DISPLAYED IN THE DIAL WINDOW.
- ADJUST THE VOLUME TO THE DESIRED LEVEL.
- TO IMPROVE FM-RADIO RECEPTION, FULLY EXTEND THE FM-ANTENNA WIRE AND ADJUST IT'S POSITION.

HEADPHONE JACK

- THIS UNIT IS EQUIPPED WITH A STEREO HEADPHONE JACK (3.5MM DIAMETER) WHICH ACCEPTS MOST STANDARD EARPHONES & HEADPHONES (NOT INCLUDED).
- WHEN THE PLUG OF A STANDARD STEREO HEADPHONE (OR EARPHONE) IS INSERTED INTO THIS JACK, THE SPEAKERS WILL AUTOMATICALLY BE DISABLED.
- WHEN THE HEADPHONE/EARPHONE IS DISCONNECTED, THE SPEAKERS WILL BE RE-ACTIVATED.

USING THE AUDIO LINE IN CONNECTION (AUX-INPUT)

- YOU CAN CONNECT THE AUDIO OUTPUT OF AN EXTERNAL DEVICE SUCH AS A MP3 PLAYER TO THIS UNIT, TO LISTEN TO THE SOUND OF THAT DEVICE THROUGH THE HIGH QUALITY AMPLIFIER OF THIS MUSIC SYSTEM.
- TO CONNECT THE EXTERNAL DEVICE PLEASE USE THE STANDARD STEREO HEADPHONE (3.5MM TO 3.5MM PLUGS) CABLE TO CONNECT THE "HEADPHONE-OUT OR AUDIO LINE-OUT" OF THE DEVICE TO THE AUX-INPUT SOCKET OF THIS UNIT.
- SWITCH THE FUNCTION "CD(AUX)" USING THE FUNCTION SWITCH.
- MAKE SURE THAT THE SPEAKERS ARE CONNECTED TO THE MAIN UNIT.
- SWITCH ON THE POWER OF THE MAIN UNIT AND THE EXTERNAL DEVICE (eg. MP3-PLAYER).
- START PLAYBACK OF THE EXTERNAL DEVICE AND ADJUST THE VOLUME CONTROL OF THE MAIN UNIT TO THE DESIRED LEVEL.
- REMEMBER TO SWITCH OFF THE POWER OF THE MUSIC SYSTEM (MAIN UNIT) WHEN YOU ARE FINISHED USING THE EXTERNAL DEVICE.
- IMPORTANT: THE CD PLAYER WILL NOT OPERATE IF ANYTHING IS PLUGGED INTO THE AUX JACK.

INSERTION & REMOVAL OF DISCS

- WHEN OPENING THE CD-DOOR, ALWAYS ENSURE THE DISC IS NOT IN MOTION (NOT SPINNING) WHEN YOU OPEN THE CD-DOOR. ALWAYS PRESS "STOP" BUTTON TO STOP THE DISC SPINNING FIRST.
- PLACE A CD INTO THE COMPARTMENT WITH THE LABEL-SIDE (PRINTED SIDE OF DISC) FACING UPWARDS. PRESS DOWN IN THE CENTER PART OF DISC UNTIL THE DISC "LOCKS" ONTO THE CENTER SPINDLE.
- WHEN THE CD HAS BEEN PLACED ONTO THE CENTER SPINDLE, GENTLY LOWER THE CD-DOOR DOWNWARDS UNTIL IT LOCKS SHUT.

ALBA User Manual



- THE CD IS NOW READY TO BE PLAYED.
- TO REMOVE A DISC, FOLLOW THE SAME PROCEDURE AS DESCRIBED ABOVE, EXCEPT TO REMOVE THE CD INSTEAD OF INSERTING IT INTO THE COMPARTMENT, BY PLACING ONE FINGER AT THE MIDDLE OF DISC (CENTER SPINDLE) & THE OTHER AT THE EDGE OF THE DISC & GENTLY PULLING UPWARDS.
- IMPORTANT : ALWAYS HOLD A CD BY ITS EDGES. AVOID GETTING ANY FINGER PRINTS, SMUDGES OR DIRT ONTO THE SURFACE OF A DISC. IN CASE THIS HAPPENS, USE A SPECIAL CD-CLEANING CLOTH OR CLEANING KIT TO REMOVE THE DIRT OR SMUDGES.

NORMAL CD OPERATION



IMPORTANT:

MAKE SURE THERE IS NOTHING PLUGGED INTO THE AUX JACK.



- INSERT A CD AS DESCRIBED.
- SLIDE THE FUNCTION SWITCH TO "CD(AUX)".
- THE CD WILL SPIN MOMENTARILY AND THEN THE DISPLAY WILL SHOW THE TOTAL NUMBER OF TRACKS (SONGS) OF THE DISC.
- PRESS THE PLAY/PAUSE BUTTON . THE DISK WILL START SPINNING & THE FIRST SONG (TRACK) WILL START PLAYING. THE DISPLAY WILL INDICATE THE CURRENT TRACK NO. ("01" IF IT IS THE FIRST TRACK).
- AT ANYTIME DURING PLAYBACK, PRESS THE "PLAY/PAUSE" BUTTON  TO PAUSE OPERATION OF THE UNIT. PRESS PLAY/PAUSE BUTTON TO RESUME OPERATION AT THE SAME TRACK & POSITION.
- AT ANYTIME DURING PLAYBACK, PRESS THE "STOP" BUTTON TO STOP OPERATION OF THE SET. THIS WILL RESET THE CD-PLAYER TO THE FIRST TRACK (IF YOU PRESS PLAY AFTER STOP, THE FIRST TRACK WILL ALWAYS START PLAYING).
- AT ANYTIME DURING PLAYBACK, "PRESS AND RELEASE" THE SEEK/SCAN BUTTONS : **[NEXT]** OR **[BACK]** TO SKIP BACKWARDS OR FORWARDS BY ONE TRACK, AS DESIRED.
- AT ANYTIME DURING PLAYBACK, "PRESS AND HOLD" THE SEEK/SCAN BUTTONS : **[NEXT]** OR **[BACK]** TO FAST-REVERSE (REVIEW) OR FAST-FORWARD (CUE) THE SPECIFIC TRACK, WHICH IS CURRENTLY PLAYING.
- AT ANYTIME DURING PLAYBACK, PRESS THE "CD REPEAT BUTTON" AS FOLLOWS:
 - PRESS ONCE = DISPLAY WILL SHOW "REPEAT 1", TO REPEAT THE CURRENT TRACK
 - PRESS TWICE = DISPLAY WILL SHOW "REPEAT ALL", TO REPEAT ALL TRACKS (FULL CD)

PROGRAMMING THE CD-PLAYER

- THE CD PLAYER CAN BE PROGRAMMED TO PLAY ANY SEQUENCE OF UP TO 20 TRACKS, AS DESIRED.
- ALWAYS PRESS THE STOP KEY BEFORE STARTING THE PROGRAMMING.
- PRESS THE PROGRAM SWITCH **[PROG]**, THE DISPLAY WILL SHOW "PROG" AND THE "01" WILL FLASH, TO INDICATE THAT THE SET IS NOW IN "MEMORY PROGRAMMING MODE", AT THE FIRST MEMORY POSITION.
- PRESS THE SEEK/SCAN SWITCHES **[NEXT]** OR **[BACK]** TO SELECT THE TRACK (SONG) NUMBER YOU WISH TO BE STORED IN THE FIRST MEMORY (PROGRAM) POSITION, AND PRESS **[PROG]** (PROGRAM) TO CONFIRM YOUR SELECTION.
- WHEN YOU PRESS **[PROG]** THE DISPLAY WILL ADVANCE TO THE NEXT MEMORY POSITION (eg. "02").
- REPEAT THE PREVIOUS 2 STEPS, EACH TIME SELECTING ANY TRACK NUMBER OF YOUR CHOICE TO BE STORED IN THE SUCCESSIVE MEMORY (PROGRAM) POSITIONS.
- AFTER EACH TRACK NUMBER, REMEMBER TO PRESS THE PROGRAM SWITCH **[PROG]**.
- AFTER A MAXIMUM OF 20 SONGS (OR LESS) HAVE BEEN SELECTED AS DESCRIBED ABOVE, PRESS THE **[PROG]** SWITCH.
- THE DISPLAY WILL NOW SHOW THE EXACT SONG SEQUENCE IN MEMORY BY DISPLAYING ALL THE SONG NUMBERS RAPIDLY.
- ALSO, THE "PROG" **[PROG]** WILL REMAIN "ON" TO INDICATE THAT YOU HAVE SAVED A PROGRAM-MEMORY (SEQUENCE).
- PRESSING PLAY  WILL NOW PLAY BACK THE "SAVED SEQUENCE" IN THE PROGRAM MEMORY.
- TO CLEAR (CANCEL) THE ENTIRE PROGRAM WHICH IS STORED IN THE MEMORY, SIMPLY PRESS "STOP"  TWICE, OR SWITCH "OFF" THE SET.

ALBA User Manual

COMPACT DISC

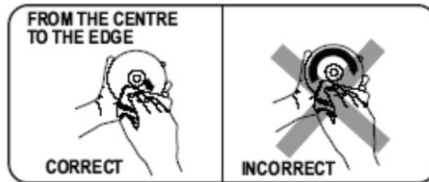
1. Always use a compact discs bearing the mark as shown.



2. Notes on handling discs
Removing the disc from its storage case and loading it.
 - Do not touch the reflective recorded surface.
 - Do not stick paper or write anything on the surface.
 - Do not bend the disc.



3. Storage
 - Store the disc in its case. Do not expose discs to direct sunlight or high temperatures, high humidity or dusty places.
4. Cleaning a disc
 - Should the disc become soiled, wipe off dust, dirt and fingerprints with a soft cloth. The disc should be cleaned from the center to the edge.
 - Never use benzene, thinners, record cleaner fluid or anti static spray.



- Be sure to close the CD door so the lens is not contaminated by dust.
- Do not touch the lens.

SPECIFICATIONS

POWER SUPPLY : AC 100V-240V, 50/60Hz
POWER CONSUMPTION : 15W
SPEAKER : 2.5" x 2
FREQUENCY : FM 87.5- 108 MHz

CONTACT DETAILS

We trust you are completely satisfied with this product from Argos Ltd, however please feel free to contact us if you experience any difficulties, or if you would like to express your views regarding our products.

Please write to:

Customer Services

Argos Ltd

489-499 Avebury Boulevard

Saxon gate West

Central Milton Keynes

MK9 2NW

Helpline: 0870 6003030

Through the process of continuous improvement, Argos Limited reserves the right to change or alter specifications without prior notice. E&OE



PRODUCT GUARANTEE

This product is guaranteed against manufacturing defects for a period of



This product is guaranteed for twelve months from the date of original purchase. Any defect that arises due to faulty materials or workmanship will be replaced, refunded or repaired free of charge where possible during this period by the dealer from whom you purchased the player.

The guarantee is subject to the following provisions:

- The guarantee does not cover accidental damage, misuse, cabinet parts, knobs or consumable items.
- The product must be correctly installed and operated in accordance with the instructions contained in this manual.
- It must be used solely for domestic purpose.
- The guarantee will be rendered invalid if the product is re-sold or has been damaged by inexpert repair.
- Specifications are subject to change without notice.
- The manufacturer disclaims any liability for the incidental or consequential damages.
- The guarantee is in addition to, and does not diminish your statutory or legal rights.

Guarantor: Argos Ltd

489-499 Avebury Boulevard

Central Milton Keynes

MK9 2NW