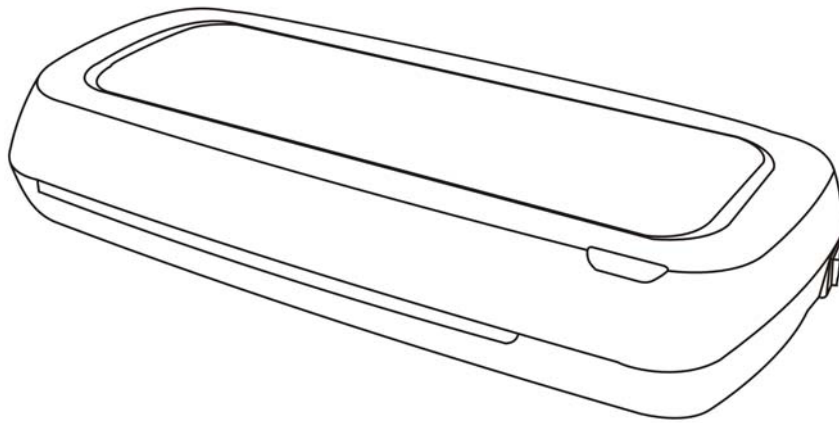


ProAction – A4 Laminator

Installation & User Instructions – Please keep for future reference

908/6197



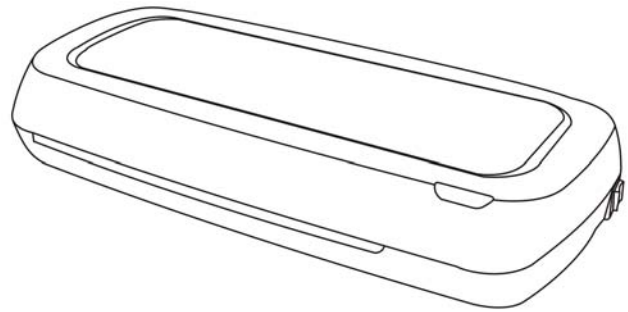
Important – Please read these instructions fully before installing or using

These instructions contain important information which will help you get the best from your appliance and ensure safe and correct installation, use and maintenance.

If you need help or have damaged or missing parts, call the Customer Helpline: 0345 640 0800

Contents

Safety Information	2
Parts	3
Installation	4-5
Location	4
Electrical Connection	5
User Instructions	6
Before first use	6
Using your appliance	6
Care and Maintenance	7
General	7
Trouble Shooting	7
Technical Specifications	8
Disposal information	8
Guarantee	9



Product codes

OL286



Safety Information

Important – Please read these instructions fully before installation

Before use

Dispose of all packaging carefully and responsibly.

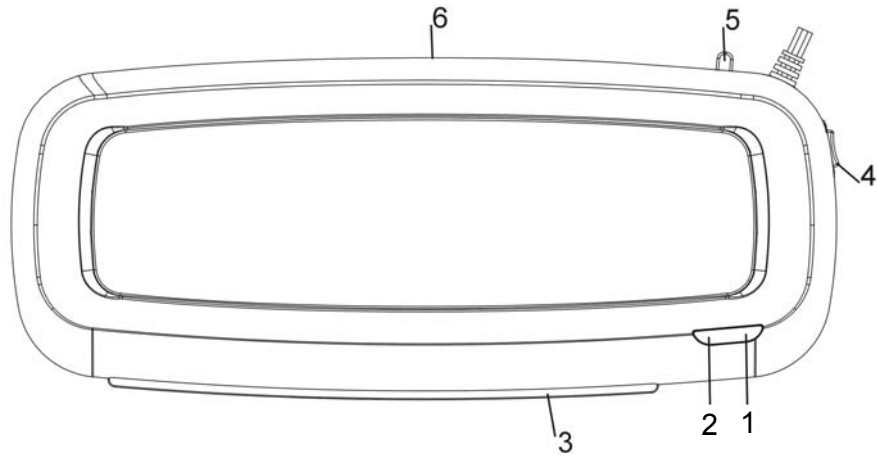
- The appliance is designed for **indoor use only**. **Do not** use outdoor..
- The appliance **MUST** be positioned on a firm level base.
- Please use the laminator with a correct power supply.
- If the power supply cord is damaged it must be replaced by a qualified electrician in order to avoid a hazard.
- Make sure the on /off switch is in the OFF position before plugging in the laminator.
- Follow all warnings and instructions marked on the product.
- **Do not** use appliance for other than intended use.
- Keep the power cord away from hot surface.
- **Do not** immerse the machine in water or any other liquid to protect against electric shock.
- Keep children away from the machine. This machine should be operated by adults only.
- Please don't spray any flammable gas or oil on this shredder, it may cause a fire.
- **Do not** allow this appliance to be exposed to rain or moisture.
- Unplug the laminator when not in use or before moving or cleaning.
- Only clean the Laminator by wiping with a dry cloth.
- Never remove the cover or dismantle the machine, no serviceable parts inside.

During use

- **WARNING!** Do not place fingers, hair, loose clothing and jewellery near the pouch entry hole as serious injury may occur.
- Always operate on a flat horizontal surface.
- Please note cardboard carrier pouches must not be used with this laminator as it may cause jamming or damage to the laminator
- The objects to be laminated cannot be metal or plastic objects (iron copper aluminum etc).
- Please do not insert anything into the machine other than laminating films and suggested items. The machine is only to be used for laminating.
- Do not block the pouch exit hole or the pouch will jam inside the machine to cause hazard.
- The top of the laminator will become hot during use, please do not touch.
- This appliance is not intended for use by persons (including children) with reduced physical, sensory or mental capabilities, or lack of experience and knowledge, unless they have been given supervision or instruction concerning use of the appliance by a person responsible for their safety. Children should be supervised to ensure that they do not play with the appliance.
- This appliance is not intended for use by young children or infirm persons unless they have been adequately supervised by a responsible person to ensure that they can use the appliance safely. Young children should be supervised to ensure that they do not play with the appliance.
- **Do not** operate the appliance with a damaged cord or plug or after the appliance malfunctions, or has been damaged in any manner.
- **Do not** attempt to repair the appliance yourself. Contact the Customer Helpline: 0345 640 0800.

Part

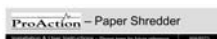
Please familiarize yourself with the parts and accessories listed below



- 1. Power indicator
- 2. Ready indicator
- 3. Pouch entry hole

- 4. Cold/off/hot switch
- 5. Jam release switch
- 6. Pouch exit hole

Accessories included



Instructions x 1

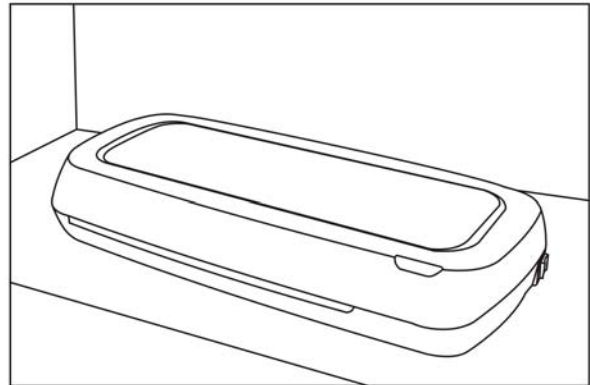
Installation

Location



Caution: Always operate this product on a flat horizontal surface.

- Carefully remove all packaging materials and dispose of correctly.
- Ensure the supply cable is not caught under the appliance.
- Do not operate under or near curtains or other combustible materials
- Do not place the appliance near a heat source or in direct sunlight.



Installation

Electrical connection



Any electrical work that is required to install this appliance **MUST** be carried out by a qualified electrician.

Before making any electrical connections, ensure that:

- Do not bend, stretch or pull the supply cable to avoid electric shock.
- Ensure the power socket is suitable for the maximum power of the machine.
- The supply voltage should be the same as that indicated in the technical specifications and the appliance rating plate.
- If the socket outlets in your home are not suitable for the plug supplied with this unit check with a qualified electrician for replacement.
- The use of adapters, multiple connectors or extension cables are not recommended.
- The appliance must be connected to a 220-240 volt 50Hz AC supply by means of a three pin socket, suitably earthed and protected by a 3 amp fuse.
- Should the fuse need to be replaced, a 3 amp fuse approved to BS1362 must be used.
- The plug contains a removable fuse cover that must be refitted when the fuse is replaced. If the fuse cover is lost or damaged, the plug must not be used until a replacement cover has been fitted or the plug is replaced.
- A damaged plug should be cut off as close to the plug body as possible, the fuse should be removed and the plug disposed of safely.

Plug replacement (UK & Ireland only)

Should you need to replace the plug; the wires in the power cable are coloured in the following way:

Blue – Neutral 'N'

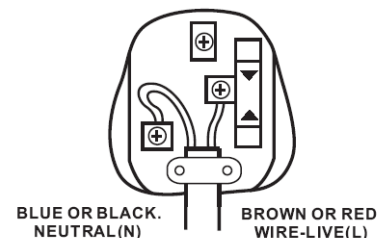
Brown – Live 'L'

As the colours of the wires in the power cable may not correspond with the coloured markings identifying the terminals in your plug, and proceed as follows:

The blue wire must be connected to the terminal that is marked with the letter N.

The brown wire must be connected to the terminal that is marked with the letter L.

If power supply cord is damaged, it must be replaced by the manufacturer or its service agent or a similar qualified person in order to avoid a hazard.

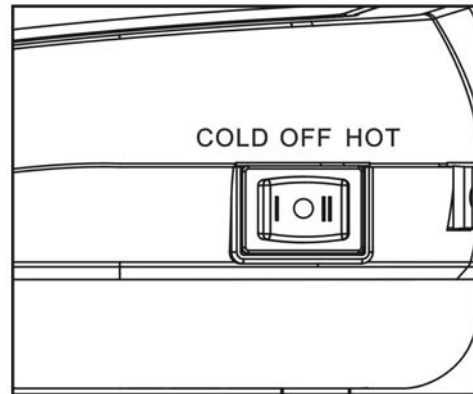


User Instructions

Before first use

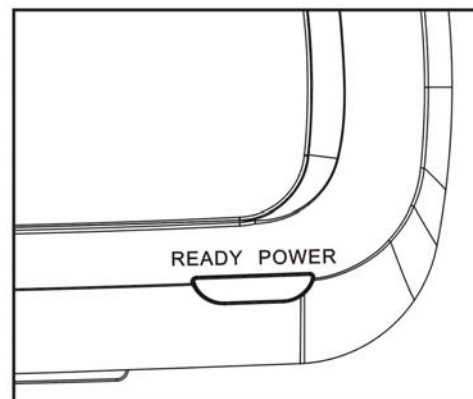
Setting up the shredder

1. Remove the Laminator from the packaging and unwind the cord to its full length.
2. Plug the machine into a suitable power supply outlet.
3. Make sure the function switch is at "OFF" position.
4. Connect the plug to the 220-240V AC mains.



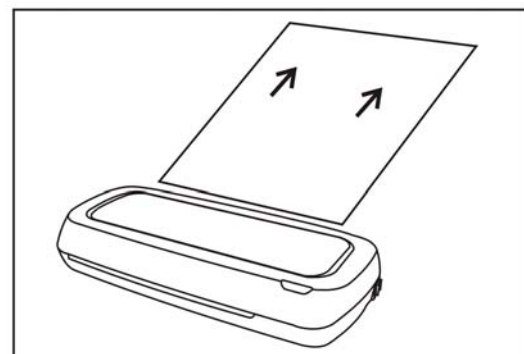
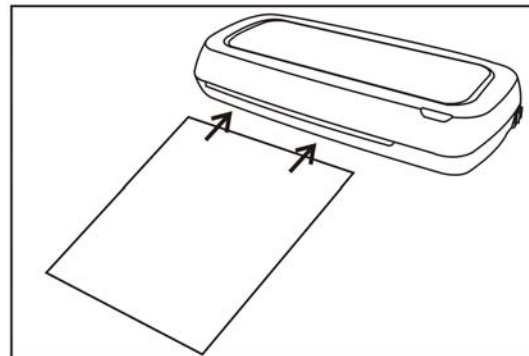
Using your appliance

1. Plug the machine into a suitable power supply outlet.
2. **For cold lamination**, Switch to Cold (|) position to connect the power and start with cold lamination, the LED will light up Blue, the power is on and ready for cold lamination;



For hot lamination, switch to Hot (||) position, the LED will light up Blue, the machine will start to heat up. After 3-5 minutes, the Orange READY LED will illuminate when the machine has reached the correct operating temperature. The machine is ready to laminate.

3. Prepare the laminating pouch for inserting into the machine. Load the paper centrally into the pouch alongside the pre-sealed edge. Do not use pouches thicker than 250 micron (2x125micro per side).
4. When the machine has reached operating temperature, the pouch can be inserted into the machine until it engages with the rollers. Always insert the pouch with the close edge into the machine. This will have a better finish. Do not insert the pouch with open edge into the machine. This may cause jam issue in the machine.
5. The pouch will move through the machine and exit at another side.
6. Turn the laminator OFF (O) after use.
7. Remove the plug from the power supply.



Care and Maintenance

General



Important: Always unplug the appliance from the power socket during cleaning and maintenance.

- Never use any sharp instruments or abrasive substances, soap, household cleaner, detergent or wax polish for cleaning.
- Use luke warm water to clean the cabinet of the appliance and wipe it dry.
- Never clean the appliance with flammable fluids. It could cause a damage and fire hazard.
- Ensure the unit is dry before connect to the mains.

Trouble Shooting

In the unlikely event of difficulties with your appliance please follow the trouble shooting guide below. If the problem persists, contact the retailer if the machine is still under guarantee on **0345 640 0800**.

Problem	Possible cause	Solution
Appliance does not start	<ul style="list-style-type: none">• The mains plug is not plugged in.• The switch is off• Fuses of the electrical system at home open.• Jammed with paper inside• the motor has overheated and the thermal cutout device has tripped	<ul style="list-style-type: none">• Insert the mains plug.• Let switch on• Check the protection devices and fuses.• Clean the jammed paper• Allow the Laminator to cool down for 40 minutes, and then it should automatically start working again.
Paper cannot exit at another side	<ul style="list-style-type: none">• It jammed, can't reverse automatically	<ul style="list-style-type: none">• Unplug the Laminator and press "jam release switch" gently to pull the paper out.

Technical Specifications

Model	OL286
Voltage	220-240 V 50Hz
Current	1.15 A
Power	Max. 265W
Film Thickness Can Be Used	160(2 x 60)-250(125 x2) microns
Max Document Size	up to A4 size 219 x303 mm
Warm up Time	approx. 3 – 5 mins
Laminating speed	approx. 30 cm/min
Max Document Thickness	0.6 mm
Net weight	1.15kg
Dimension	345 x 140 x 60 mm

We apologise for any inconvenience caused by any minor inconsistencies in these instructions, which may occur as a result of product improvements and development.

Disposal information



This appliance complies with the following EEC directives:
2006/95/EEC Low voltage directive
2004/108/EEC EMC directive



The symbol on the product or its packaging indicates that this product may not be treated as household waste. Instead it should be handed over to the applicable collection point for the recycling of electrical and electronic equipment. By ensuring this product is disposed of correctly, you will help prevent potential negative consequences for the environment and human health, which could otherwise be caused by inappropriate waste handling of this product. For more detailed information about recycling this product, please contact your local council office, your household waste disposal service or the shop where the product was purchased.

Guarantee



PRODUCT GUARANTEE

This product is guaranteed against manufacturing defects for a period of



Year

This product is guaranteed for twelve months from the date of original purchase.

Any defect that arises due to faulty materials or workmanship will either be replaced, refunded or repaired free of charge where possible during this period by the dealer from whom you purchased the unit.

The guarantee is subject to the following provisions:

- The guarantee does not cover accidental damage, misuse, cabinet parts, knobs or consumable items.
- The product must be correctly installed and operated in accordance with the instructions contained in this manual.
- It must be used solely for domestic purpose.
- The guarantee will be rendered invalid if the product is re-sold or has been damaged by inexpert repair.
- Specifications are subject to change without notice.
- The manufacturer disclaims any liability for the incidental or consequential damages.
- The guarantee is in addition to, and does not diminish your statutory or legal rights.

Guarantor: Argos Ltd
489 - 499 Avebury Boulevard
Central Milton Keynes
MK9 2NW