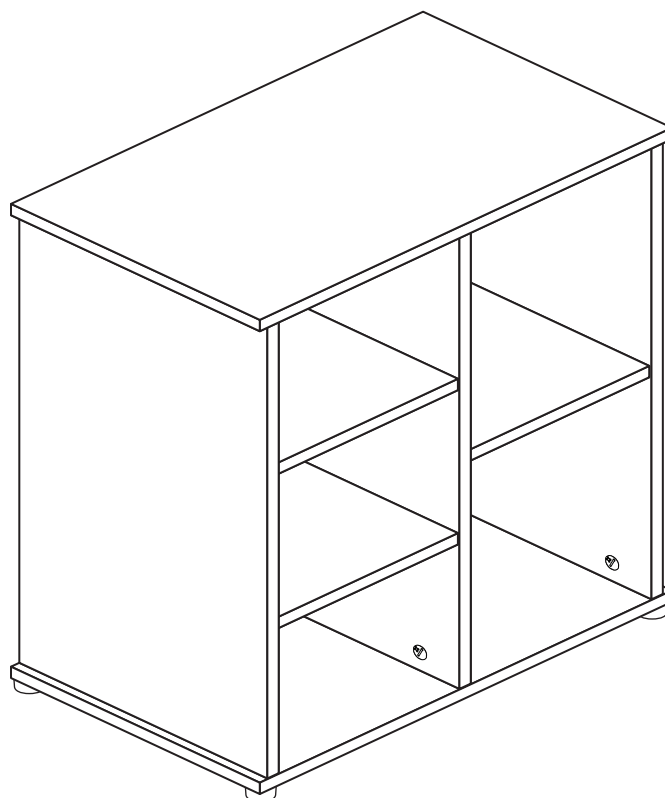


# 3 Basket 2 Shelf Unit

Assembly Instructions - Please keep for future reference

906/4638



## Dimensions

Width - 54.5cm

Depth - 33cm

Height - 65cm



**MADE IN  
BRITAIN**

**Important** - Please read these instructions fully before starting assembly

If you need help or have damaged or missing parts, call the **Customer Helpline: 08456 400800**



# Safety and Care Advice

**Important - Please read these instructions fully before starting assembly**

- **Warning:** This unit weighs approximately 13kgs. Please lift with care.

- Check you have all the components and tools listed on pages 2 and 3.

- Remove all fittings from the plastic bags and separate them into their groups.

- Keep children and animals away from the work area, small parts could choke if swallowed.

- Parts of the assembly will be easier with 2 people.

- Make sure you have enough space to layout the parts before starting.

- Do not stand or put weight on the product, this could cause damage.

- Assemble the item as close to its final position (in the same room) as possible.

- Assemble on a soft level surface to avoid damaging the unit or your floor (use opened out unit carton).



- We do not recommend the use of power drill/drivers **for inserting screws**, as this could damage the unit. Only use hand screwdrivers.

- **Safety note:** If there is any chance of this unit being pulled over by children etc. it is recommended that the unit is secured to a wall using suitable fixings (not supplied).

- Dispose of all packaging carefully and responsibly.

## Care and maintenance

- Only clean using a damp cloth and mild detergent, do not use bleach or abrasive cleaners.

- From time to time check that there are no loose screws on this unit.

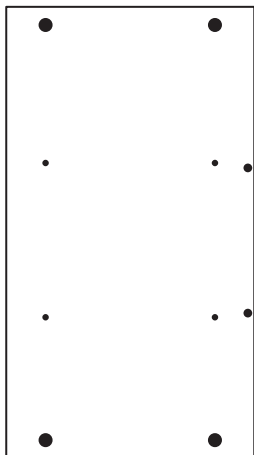
- This product should not be discarded with household waste. Take to your local authority waste disposal centre.

**Note:** If required the next page can be cut out and used as reference throughout the assembly. Keep this page with these instructions for future reference.

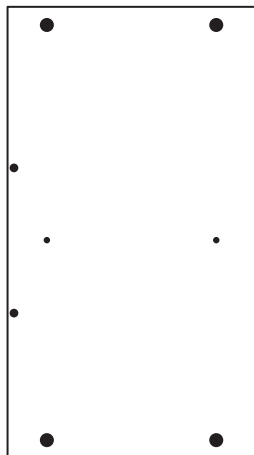
# Components - Panels

If you have damaged or missing components, call the **Customer Helpline: 08456 400800** quoting the reference numbers below

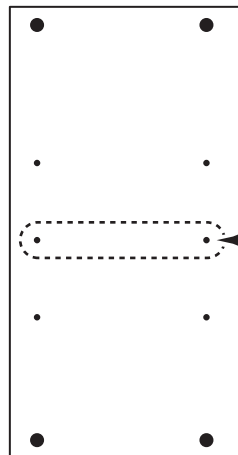
Please check you have all the panels listed below



**1** Left Side (D1469A)  
(597 x 328mm)

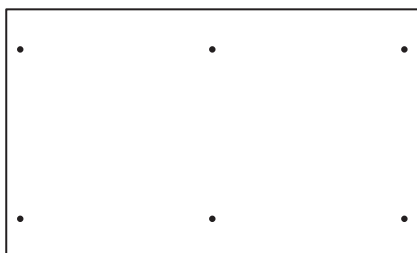


**2** Right Side (D1470A)  
(597 x 328mm)



**3** Divider (D1472A)  
(597 x 312mm)

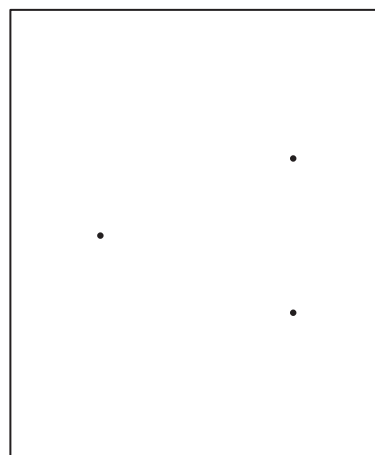
These 2 holes are on the opposite surface



**4** Top/Base (D1468A)  
(545 x 329mm) x 2



**5** Shelf (D1471A)  
(238 x 310mm) x 3



**6** Back (D1775A)  
(493 x 597mm)

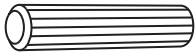
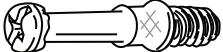



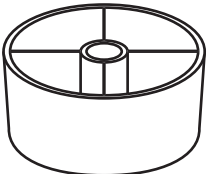



# Components - Fittings

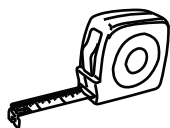
If you have damaged or missing components, call the **Customer Helpline: 08456 400800** quoting the reference numbers below

Please check you have all the fittings listed below

**Note:** The quantities below are the correct amount to complete the assembly. In some cases more fittings may be supplied than are required.

<p><b>A</b> </p> <p>Wooden dowel (F22) x 4</p>	<p><b>B</b> </p> <p>Metal dowel (F901) x 12</p>	<p><b>C</b> </p> <p>Large locking nut (F900) x 12</p>
<p><b>D</b> </p> <p>45mm Screw (F65) x 3</p>	<p><b>E</b> </p> <p>25mm Screw (F50) x 4</p>	<p><b>F</b> </p> <p>Feet (F854) x 4</p>
<p><b>G</b> </p> <p>Shelf support (F121) x 12</p>		

## Tools required



Rule



Cross-head screwdriver



Scissors

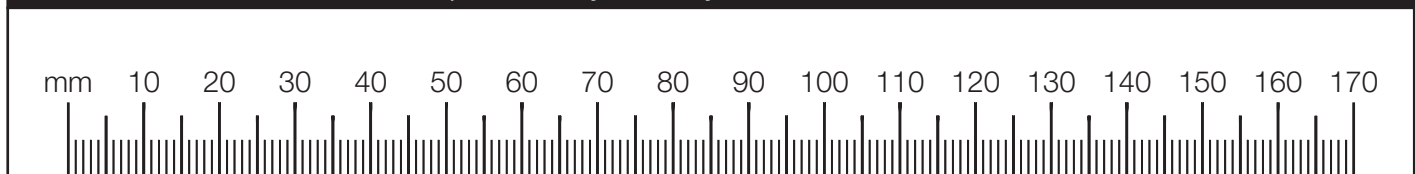


Hammer



Eye protection (when using a hammer or drill)

Ruler - Use this ruler to help correctly identify the screws



# Assembly Instructions

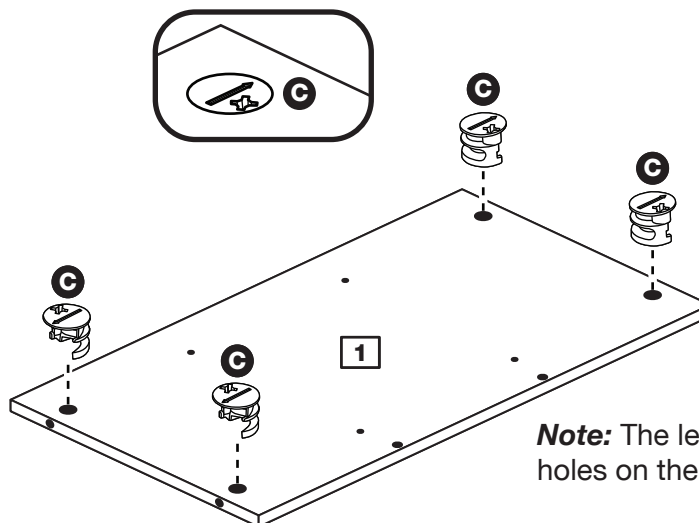
If you have damaged or missing components, call the  
**Customer Helpline: 08456 400800** quoting the reference  
numbers below

## Step 1

### Prepare the left side

Insert 4 large locking nuts **C** into the left side **1**.

**Note:** The arrow on the locking nut **must** point towards the hole in the edge of the panel.



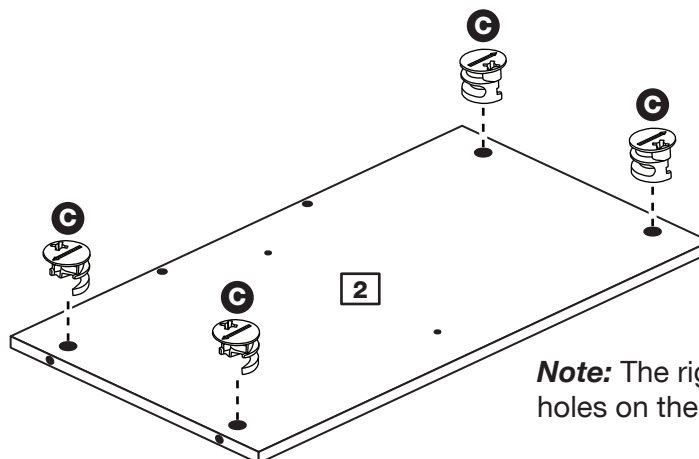
**Note:** The left side only has holes on the surface shown.

## Step 2

### Prepare the right side

Insert 4 large locking nuts **C** into the right side **2**.

**Note:** The arrow on the locking nut **must** point towards the hole in the edge of the panel.



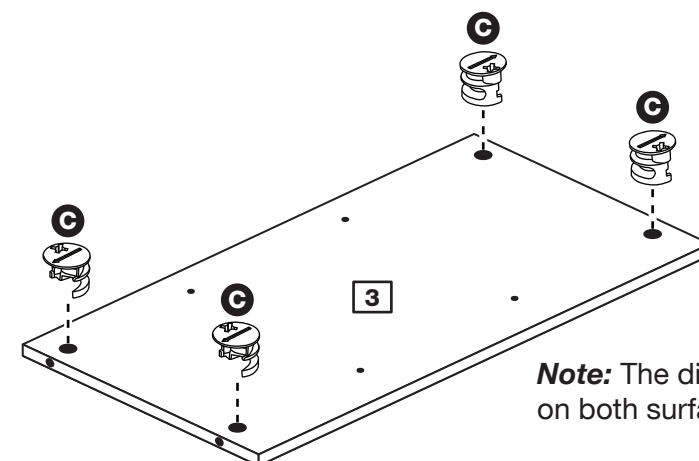
**Note:** The right side only has holes on the surface shown.

## Step 3

### Prepare the divider

Insert 4 large locking nuts **C** into the divider **3**.

**Note:** The arrow on the locking nut **must** point towards the hole in the edge of the panel.



**Note:** The divider has holes on both surfaces.

# Assembly Instructions

## Step 4

### Prepare the base

**a:** Screw the 4 feet **F** onto the base **4** using screws **E**.

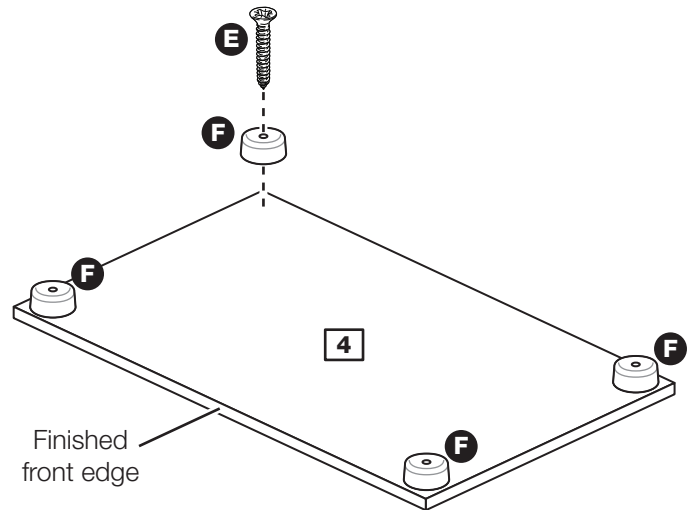
**Note:** The feet must be fitted close to the edges of the base for maximum stability, as shown.

### Turn the base over

**b:** Screw 6 metal dowels **B** into the base **4**.

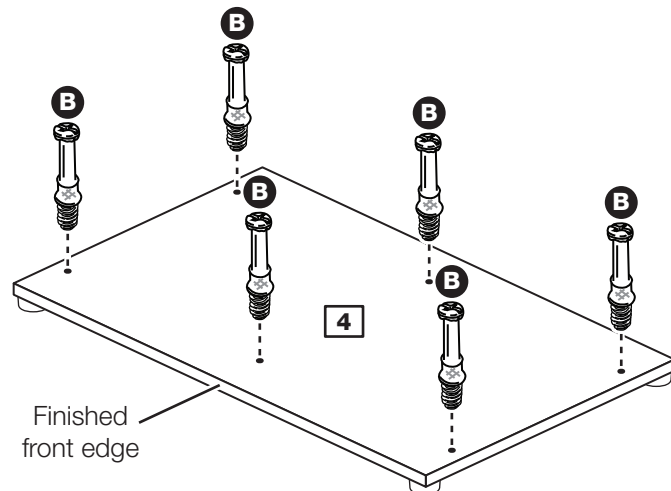
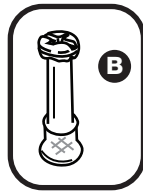
**Note:** Tighten the metal dowels up fully against the panels.

**a:**



Turn the base over

**b:**



# Assembly Instructions

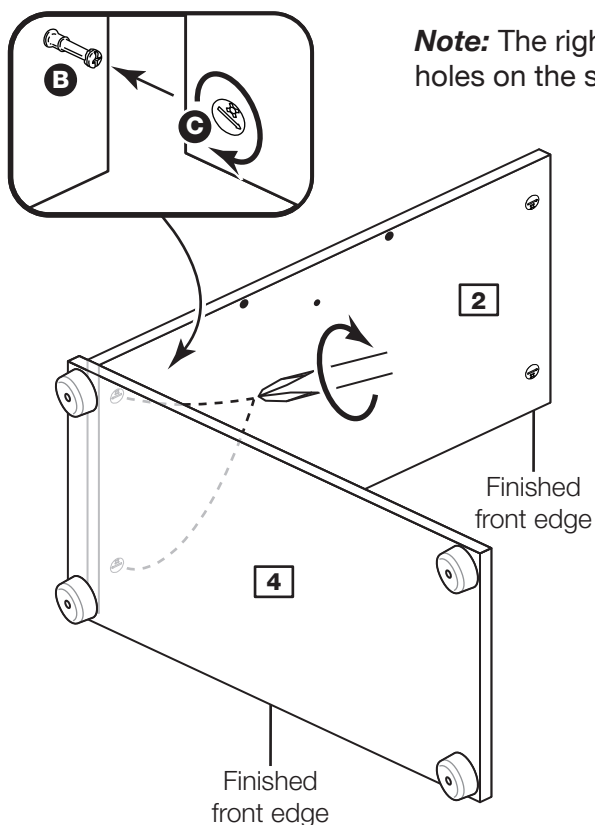
## Step 5

### Join the right side and base

Push the right side **2** onto the base **4**.

Use a screwdriver to tighten the 2 large locking nuts **C** fitted to the right side **2**.

**Note:** Turn the large locking nuts as far as they will go - more than 1/2 a turn.



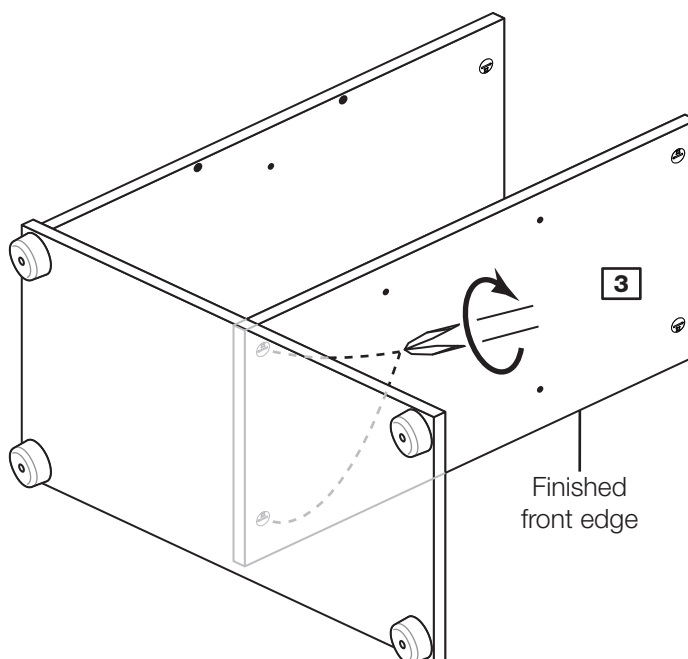
## Step 6

### Fit the divider

Push the divider **3** onto the base **4**.

Use a screwdriver to tighten the 2 large locking nuts **C** fitted to the divider **3**.

**Note:** The divider has holes on both surfaces.



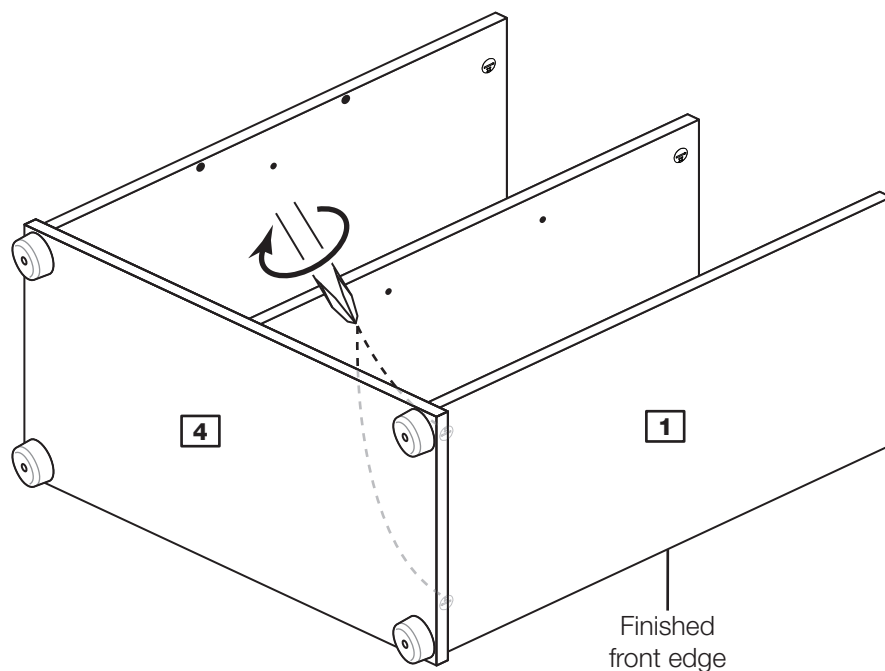
# Assembly Instructions

## Step 7

### Fit the left side

Push the left side **1** onto the base **4**.

Use a screwdriver to tighten the 2 large locking nuts **C** fitted to the left side **1**.

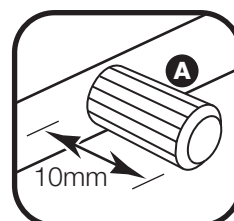
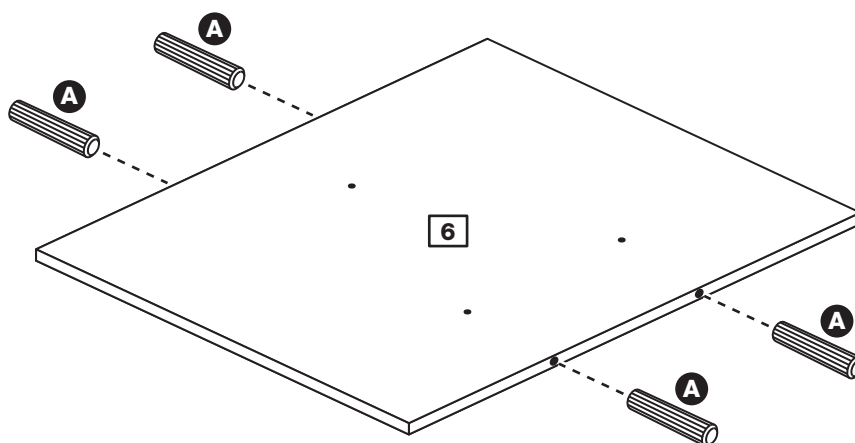


## Step 8

### Prepare the back

Tap 4 wooden dowels **A** into the back **6**.

**Note:** Wooden dowels **must not** stick out from the edge by more than 10mm or they may damage other panels.



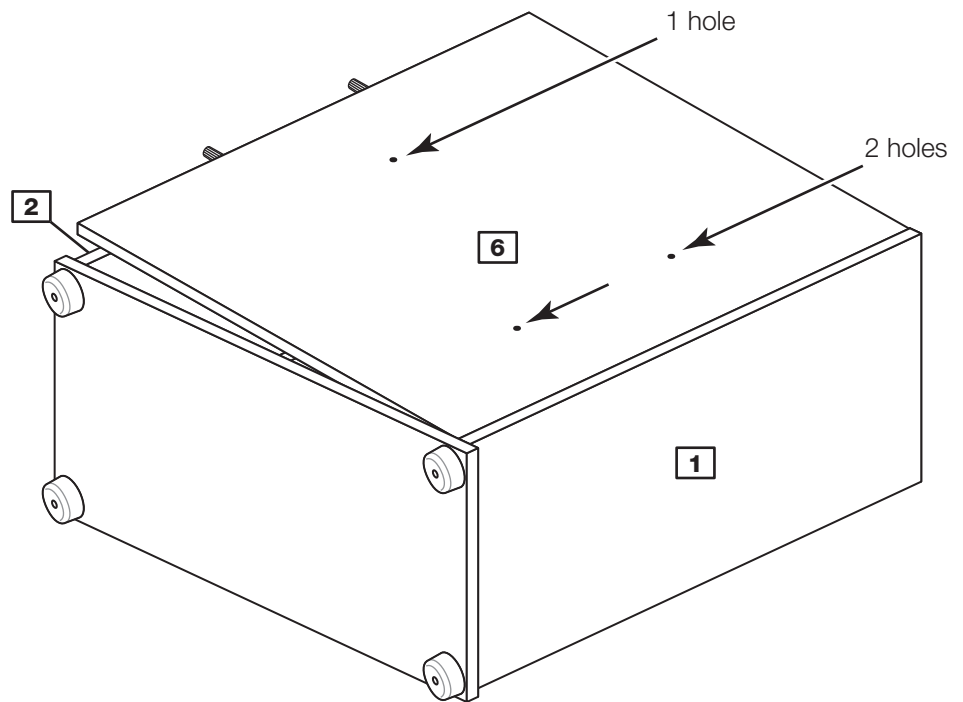


# Assembly Instructions

## Step 9

### Fit the back

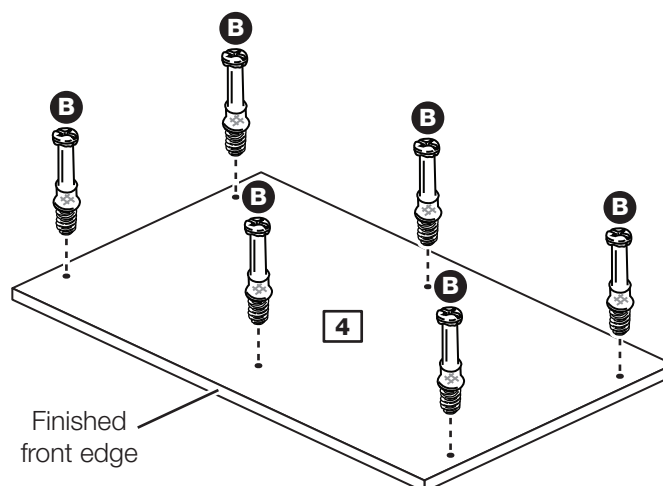
Position the back **6** between the left side **1** and right side **2** and gently push in its wooden dowels **A**.



## Step 10

### Prepare the top

Screw 6 metal dowels **B** into the top **4**.



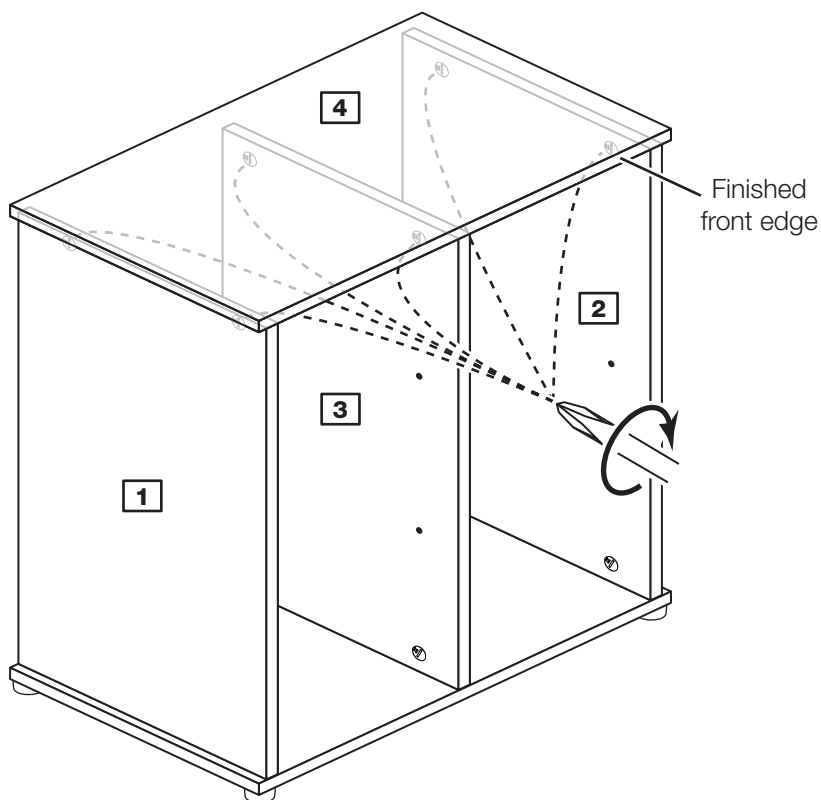
# Assembly Instructions

## Step 11

### Fit the top

Lower the top **4** down onto the assembly.

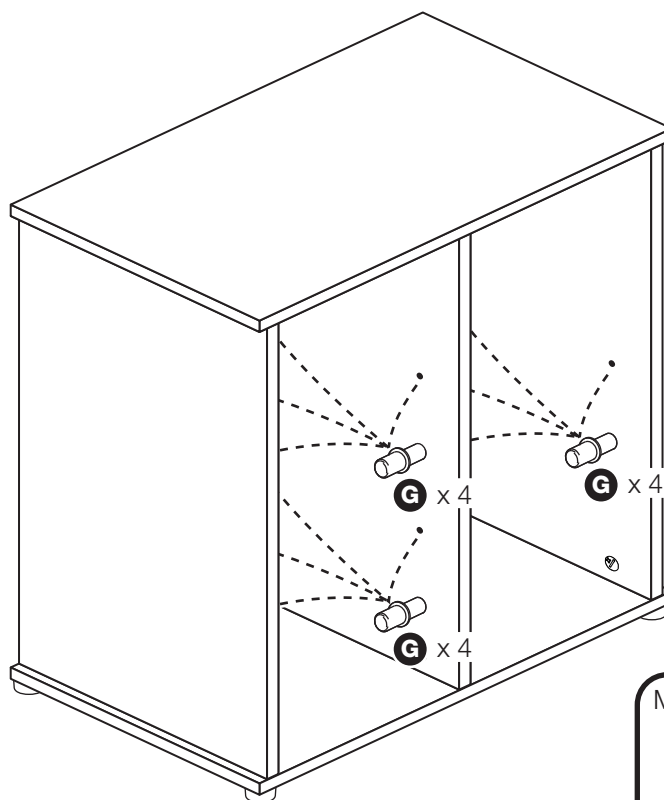
Use a screwdriver to tighten the 6 large locking nuts **G** fitted to the left side **1**, right side **2** and upright **3**.



## Step 12

### Fit the shelf studs

For each of the 3 shelves **5**, insert 4 shelf studs **G**.



Make sure that the plastic sleeve is fully pushed onto the shelf stud.

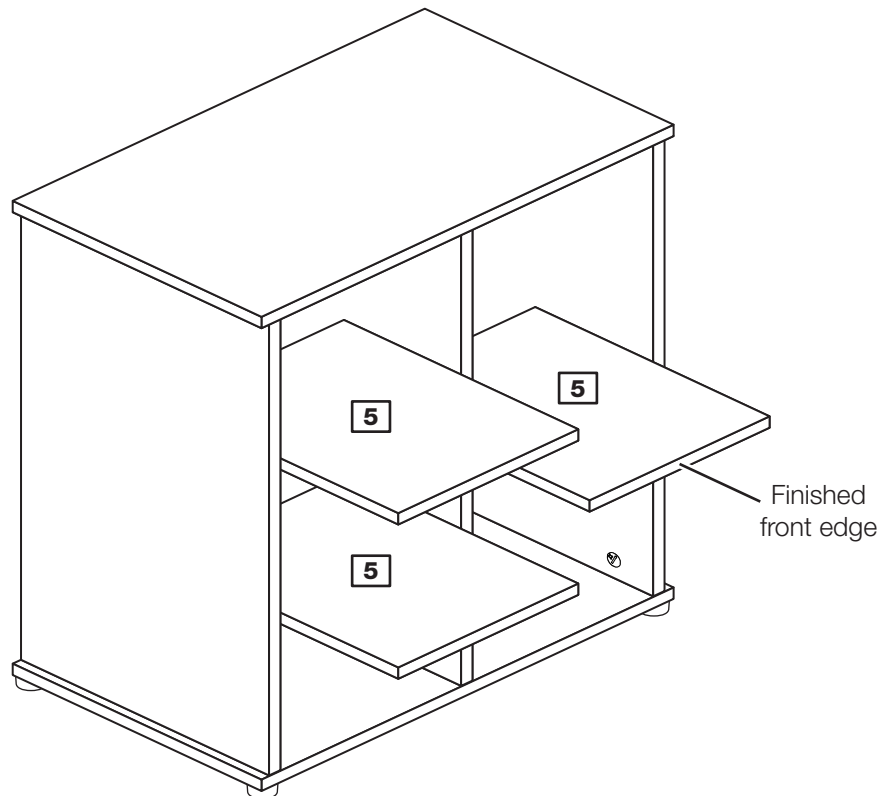


# Assembly Instructions

## Step 13

### Fit the shelves

Lower the 3 shelves **5** down onto the shelf studs **G**.



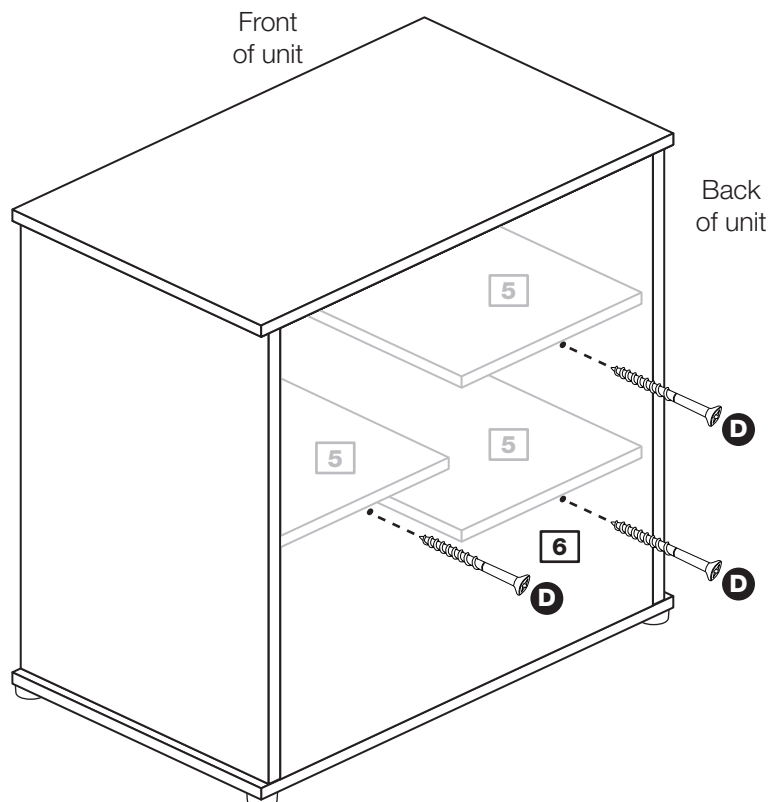
## Step 14

### Secure the shelves

**2 people are needed here**

At the front of the unit, hold the shelves **5** in position.

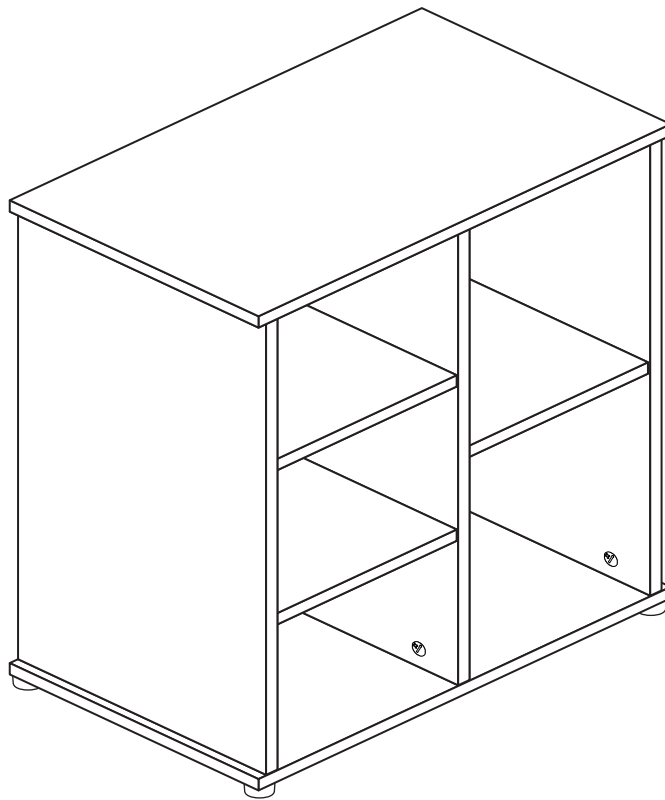
From the rear of the unit screw through the back **6** and into the back edge of the shelves **5** using screws **D**.



# Assembly Instructions

## Step 15

**Assembly is complete**



If you need help or have damaged or missing parts, call the **Customer Helpline: 08456 400800** and quote the reference numbers on the component pages.

Argos Ltd, 489-499 Avebury Boulevard, Central Milton Keynes, MK9 2NW