

COOKWORKS

JUICER INSTRUCTION MANUAL



KP400 series

IMPORTANT SAFEGUARDS

When using electrical appliances, basic safety precautions should always be followed, including the following:

- **Read all instructions before use and retain for future reference.**
- DO NOT disassemble the juice extractor when it is plugged in.
- DO NOT immerse the appliance in water or any other liquid – you could get an electric shock.
- Close supervision is necessary when any appliance is operated near children.
- The appliance must always be unplugged when not in use and before cleaning or maintenance.
- DO NOT operate any appliance with damaged cord or plug, or if appliance malfunctions or is damaged in any manner.
- **This appliance is designed for household use and indoor use only.**
- DO NOT allow cord to hang over edge of table or counter, or touch hot surfaces.
- DO NOT place unit on or near a gas or electric burner or a heated oven.
- DO NOT leave the appliance unattended. DO NOT use the appliance for other than its intended use.
- Avoid contacting with moving parts.
- DO NOT use attachments with this unit, as they may cause fire, electrical shock or injury.
- Always make sure juicer lid is clamped securely in place before motor is turned on. DO NOT fasten or unfasten the interlock latches while juicer is in operation. The appliance is designed with a safety micro-switch to cut off the power if the lid is not properly and securely locked in place.
- The appliance is not to be operated if the interlock latches are unfastened when the on/off switch is on. Never operate unit unless it is fully assembled.
- Always switch off the unit after each use. Make sure the motor stops completely and filter comes to stop before remove the lid or disassembling.
- DO NOT put fingers or other objects in the feed tube while it is in operation. If food becomes lodged in feed tube, use food pusher or another piece of fruit or vegetable to push it down. If this doesn't work, turn the motor off, unplug unit, then disassemble juicer to remove lodged food. Only use the pusher supplied.
- Make sure filter unit is firmly attached to adapter.
- DO NOT overload appliance or use excessive force to press food through the feeding hole.

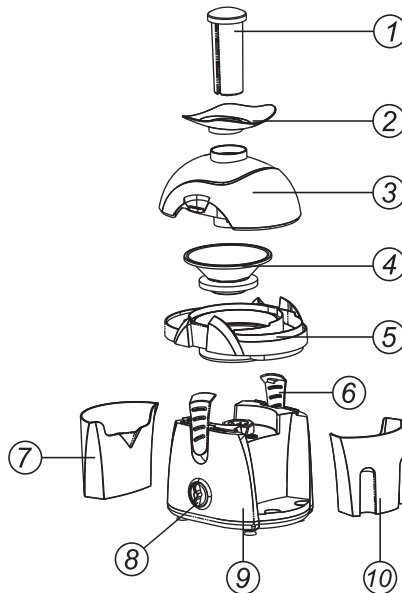
- **CAUTION: Recommend NOT to run the juicer continuously for longer than 1 minute. Turn it off and let it cool down 5 minutes before another cycle.**
- DO NOT use the appliance if the spinning sieve is damaged.
- Switch off the appliance before changing accessories or approaching parts which move in use.
- If the supply cord is damaged, it must be replaced by the manufacturer, its service agent or similarly qualified persons in order to avoid a hazard.
- This appliance is not intended for use by persons (including children) with reduced physical, sensory or mental capabilities, or lack of experience and knowledge, unless they have been given supervision or instruction concerning use of the appliances by a person responsible for their safety.
- Children should be supervised to ensure that they do not play with the appliance.

Caution

Filter (Grater) has sharp blade – always use pusher, be careful of moving parts. Keep fingers out of feeder and discharge opening. Unplug unit before cleaning and before assembling and removing parts.

KNOW YOUR APPLIANCE

- 1 Pusher
- 2 Hopper
- 3 Transparent lid
- 4 Filter (Grater)
- 5 Filter holder
- 6 Interlock latches
- 7 Pulp collector
- 8 Switch
- 9 Main motor body
- 10 Juice jug

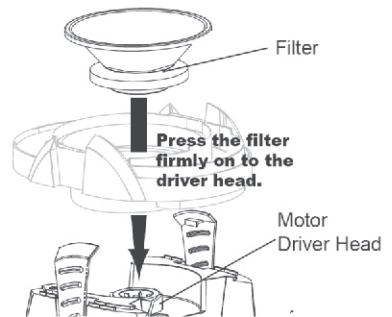


BEFORE USING FOR THE FIRST TIME

- Check that the voltage of the appliance corresponds to the voltage at your house.
- Wash the parts of the product, which will come into contact with the fruit.
- Practice assembling and dismantling the unit a few times before adding fruit or vegetables.

ASSEMBLING AND DISMANTLING

- Please remove all packaging and plastic bags before use.
- The appliance may emit some smoke and a slight odor the first time it is used. There is no need for alarm. This is normal and will cease after it is used a few times.
- Fix the filter holder (5) and pulp collector (7) onto the main motor body (9).
- Fit the filter (4) inside the filter holder (5), **and IT IS IMPORTANT TO FIRMLY PRESS the filter (4) down onto the motor driver head. The sharp blades on the filter (grater) could cut into the plastic of the pusher if you fail to do so.**
- Fit the transparent lid (3). Lock the lid by clipping the top of the latches (6) to the lid and then snap the bottom of the latches (6) into place. **The juicer will not work if the lid is not locked.**
- Do not operate the appliance if the pulp collector (7) is not fitted.
- Put the juice jug (10) under the juice outlet.
- Reverse the assembly procedure to take the juicer apart.



HINTS: easier to detach the filter from the motor drive, you may lift up the filter holder (5) a bit from the motor unit.

OPERATING INSTRUCTIONS

- This appliance is designated with a safety micro-switch. If the lid is not correctly locked, the switch cannot be activated and the appliance will not work.

- Before plug in, make sure the switch is off and the latches are fastened correctly.
- Cut fruits into small pieces so as to be fitted into the feeding tube.
- Remove the stone or peel from those citrus and fruits: peaches, prunes, apricots, oranges, lemons, melons etc.
- Switch on the unit. Level 1 is low speed for softer food and level 2 is high speed.
- Feed small pieces of pitted fruit or vegetable inside through the feed tube with the pusher. Beware the groove on the pusher aligns with the notch on the inside of the feed tube. **DO NOT use pusher other than the supplied. NEVER put your fingers in the feed tube.**
- Some hard foods may make the juicer slow down or stop. Switch off and unblock the filter if it happens.
- Switch off and empty the pulp collector regularly during use.
- Switch off, unplug and clean after use.

ATTENTION: Recommend NOT to continuously operate the juicer for more than 1 minute. Stop and cool for 5 minutes before next operation cycle.

USEFUL HINTS

- In order to get more juice; don't force the foods into the juicer speedily. More juice will be collected if you press and feed the fruit gently.
- The filter's holes could be clogged or blocked by food residues. Clean the filter each time you finish extracting a jug of juice.
- Always switch off the unit before clear the pulp collector.
- **To prolong the lifetime of the machine, recommend not to continuously extract juice for more than 1 minute. Stop and cool for 5 minutes before operation resume. Overheating may shorten the motor's life and result to product permanent damage.**
- The natural juices must be drunk immediately after their preparation for maximum flavour and vitamin benefit. However, if you wish to keep the juice for several hours, add some lemon juice as a natural preservative and store in the fridge.
- Stop the juice extractor and unplug the appliance after use.
- Dilute juice with water if given to young children especially for dark green and dark red vegetables.
- Fruit juice is high in fruit sugar, consult your doctor for the proper intake amount if people with diabetes or low blood sugar.

OVERLOAD PROTECTION

The juicer is fitted with an over-heating protection device which will stop the juicer operation if the unit is overheated.

If this happens, switch off, unplug and remove any food from the filter. Allow to cool down for at least 15 minutes until self-resetting.

WARNING! DO NOT leave the appliance unattended and ensure children do not play with the appliance.

CLEANING

- Before cleaning ensure power is switched off and unplugged.
- The filter is very sharp and must be handled with care.
- Remove the lid, filter and filter holder.
- Wash the lid, filter and filter holder in soapy water, then dry.
- Wash the filter under running water with a soft brush. **Beware of sharp blades.**
- Clean the outside of the motor unit only with a damp cloth.
- Do not use abrasive cleaners, organic solvents or scouring pad on appliance.
- The motor unit must not be immersed in water or any other liquids. You could get an electric shock.
- Some foods e.g. carrot will discolour the plastic. Rubbing with a cloth dipped with vegetable oil may help remove discolouring.
- The parts are not suitable to be washed in dishwasher.

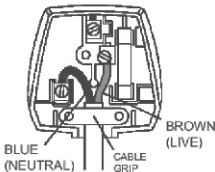
WARNING: DO NOT IMMERSE IN WATER OR ANY LIQUID

TROUBLESHOOTING

- The juicer does not turn on, check:
 - The BS Plug is connected to mains and BS plug fuse is intact.
 - Transparency lid properly locked.
 - The appliance is not over-heated. (see section overload protection)
- Abnormal sound or vibration, check:
 - The filter is firmly pushed onto the motor driver head.
 - The pulp collector or filter holder is not overfilled with residues.
- Juice extracting rate is low, check:
 - Foods are not fed in too fast.
 - The filter is not blocked.

CONNECTION TO POWER

- Before connecting, check that the voltage indicated on the appliance (bottom of the appliance) corresponds with the main voltage in your home. If this is not the case, consult your dealer and do not use.
- This appliance may be fitted with a non-rewirable plug. If you need to change the fuse in a non-rewirable plug, the fuse cover must be refitted. If the fuse cover is lost or damaged, the plug must not be used until a replacement is obtained (available from the appliance manufacturer).
- If the plug has to be changed because it is not suitable for your socket, or becomes damaged, it should be cut off and appropriate plug fitted following the wiring instructions. The plug removed must be disposed of safely as insertion into a mains socket is likely to cause an electrical hazard.
- This equipment must be disconnected from the mains when not in use. Do not allow this unit to be exposed to rain or moisture.
- You should only plug the appliance into a 220V-240V AC, 50Hz supply. Connecting it to other power sources may damage the appliance.



The wires in this mains lead are coloured in accordance with the following code:
BLUE = NEUTRAL
BROWN = LIVE

IMPORTANT: The colours of the wires in the mains lead of this appliance may not correspond with the coloured markings identifying the terminals in your plug, proceed as follows:

- The blue wire must be connected to the terminal marked with the letter N or coloured black.
- The brown wire must be connected to the terminal marked with the letter L or coloured red.
- **NO connection is to be made to the earth terminal of the plug.**

Caution
To prevent electric shock
disconnect from the mains
before removing the cover

If a 13 Amp (BS1363) fused plug is used it must be fitted with a 13A fuse conforming to BS1362 and be ASTA approved. If in doubt contact a qualified electrician

DISPOSAL INFORMATION



Waste electrical products should not be disposed of with household waste. Please recycle where facilities exist. Check with your local authority for recycling advice.

GUARANTEE

This product is guaranteed against manufacturing defects for a period of 1 year.

This does not cover the product where the fault is due to misuse, abuse, use in contravention of the instructions, or where the product has been the subject of unauthorised modifications or alterations, or has been the subject of commercial use.

In the event of a problem with the product within the guarantee period please return it to your nearest Argos store. If the item is shown to have had an inherent defect present at the time of sale, the store will provide you with a replacement. **You supply your receipt to show when you bought it.** Your statutory rights remain unaffected.

Guarantor; Argos Ltd
489 – 499 Avebury Boulevard
Central Milton Keynes
MK9 2NW

ref 201108R3