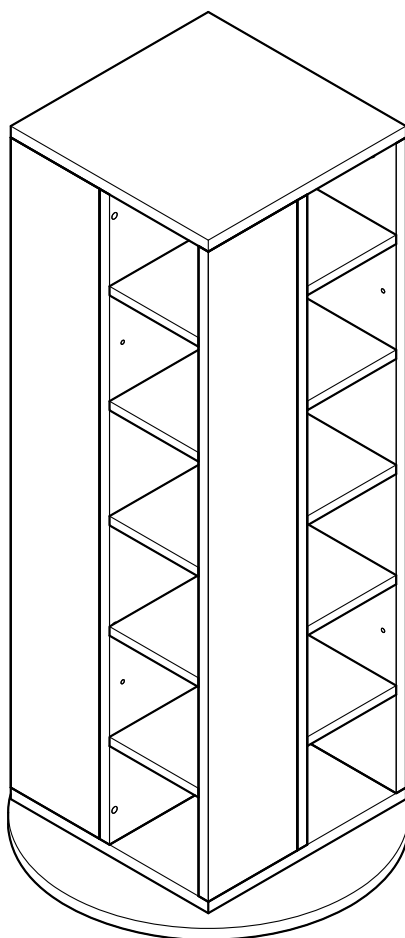


# Twister CD/DVD tower

Assembly Instructions – Please keep for future reference

901 / 0864 D

901 / 0857 D



## Dimensions

Width – 43 cm

Depth – 43 cm

Height – 92 cm



**Warning:** 2 persons assemble recommended.

**Important** – Please read these instructions fully before starting assembly

If you need help or have damaged or missing parts, call the **Customer Helpline: 08456 400800**



# Safety and Care Advice

**Important** – Please read these instructions fully before starting assembly

- Check you have all the components and tools listed on page 2 & 3.
- Remove all fittings from the plastic bags and separate them into their groups.
- Keep children and animals away from the work area, small parts could choke if swallowed.
- Make sure you have enough space to layout the parts before starting.

- Do not stand or put weight on the product, this could cause damage.
- Assemble the item as close to its final position (in the same room) as possible.
- Assemble on a soft level surface to avoid damaging the unit or your floor.



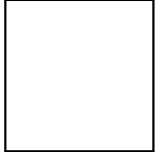
- We do not recommend the use of power drill/drivers **for inserting screws**, as this could damage the unit. Only use hand screwdrivers.
- Dispose of all packaging carefully and responsibly.

## Care and maintenance

- Only clean using a damp cloth and mild detergent, do not use bleach or abrasive cleaners.
- From time to time check that there are no loose screws on this unit.
- This product should not be discarded with household waste. Take to your local authority waste disposal centre.

# Components - Parts

Please check you have all the parts listed below



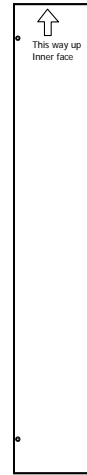
**1** Top panel  
(300 x 300 mm)



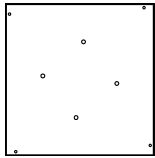
**2** Side panel x 4  
(852 x 138 mm)



**3** Divider x 2  
(852 x 149 mm)



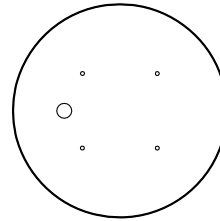
**4** Divider x 2  
(852 x 149 mm)



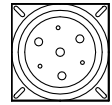
**5** Bottom panel  
(300 x 300 mm)



**6** Adjustable shelf x 20  
(136 x 136 mm)



**7** Base panel  
(430 x 430 mm)



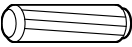

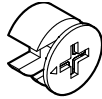
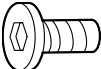
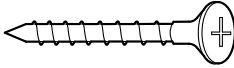
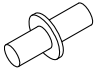
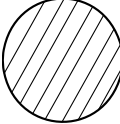
**8** Turnplate

# Components - Fittings

If you have damaged or missing components, call the **Customer Helpline: 08456 400800**

Please check you have all the fittings listed below

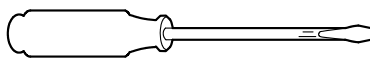
**Note:** The quantities below are the correct amount to complete the assembly. In some cases more fittings may be supplied than are required.

<p><b>A</b> </p> <p>Wood dowel x 24</p>	<p><b>B</b> </p> <p>Metal dowel x 4</p>	<p><b>C</b> </p> <p>Cam lock x 4</p>
<p><b>D</b> </p> <p>Bolt x 8</p>	<p><b>E</b> </p> <p>Screw x 26</p>	<p><b>F</b> </p> <p>Shelf pin x 80</p>
<p><b>G</b> </p> <p>Cover pad x 26</p>		

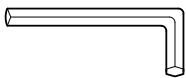
## Tools required



Philips screwdriver



Flatblade screwdriver



Allen Key  
(Provided)

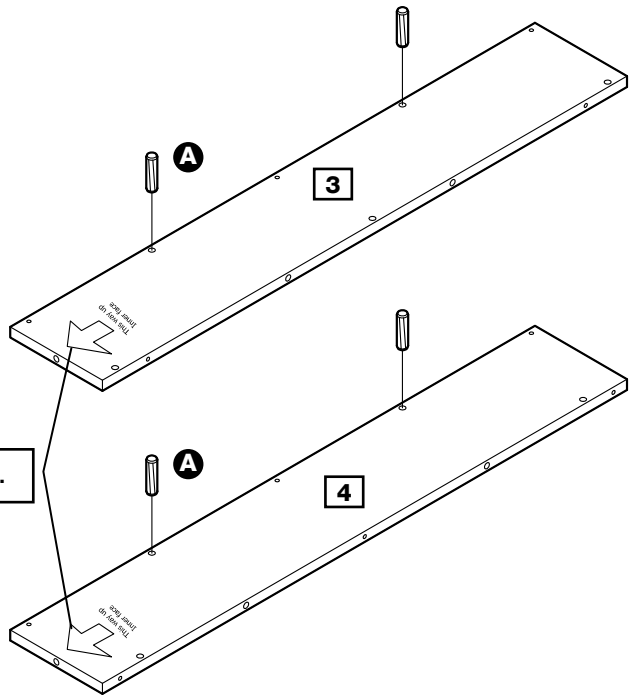
# Assembly Instructions

## Step 1

Lay Dividers **3** and **4** on the ground with the Way up marks face upward as shown.


Insert Wood dowels **A** into the indicated holes in Dividers **3** and **4**.

**Note:** Way up mark.



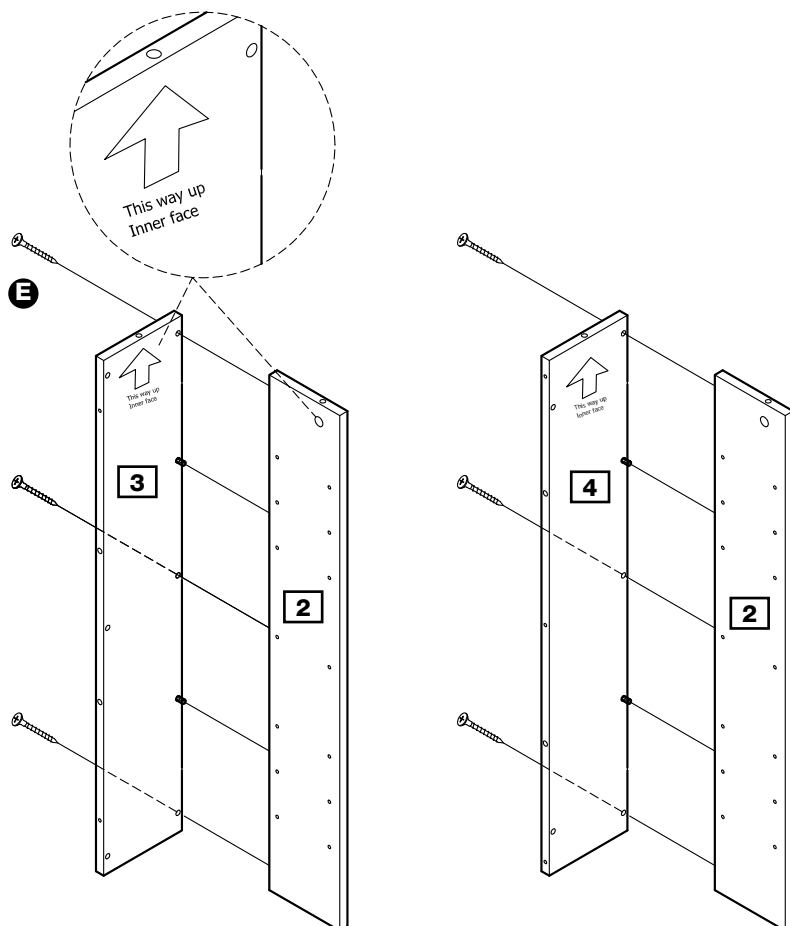
## Step 2

Push Divider **3** onto the untapped edge of Side panel **2**, make sure the wood dowels enter the corresponding holes.

 **Note:** make sure the big hole in Side panel and the Way up mark face inwards as shown.

Secure with 3 Screws **E**.

Repeat to assemble the other Divider **3** and other 2 Dividers **4** onto Side panels **2**.



# Assembly Instructions

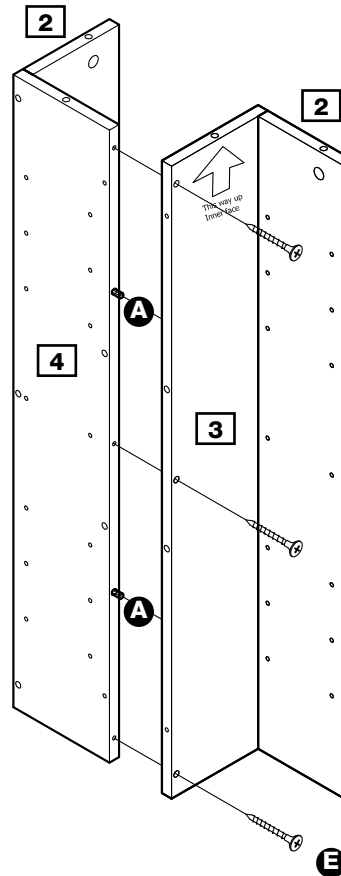
## Step 3

Insert Wood dowels **A** into the indicated holes in Divider **4**.

Push one section of panels **2** and **3** from Step 2 to the other section of panels **2** and **4**, make sure the wood dowels enter the corresponding holes.

Secure with 3 Screws **E**.

Repeat to assemble the other half section.

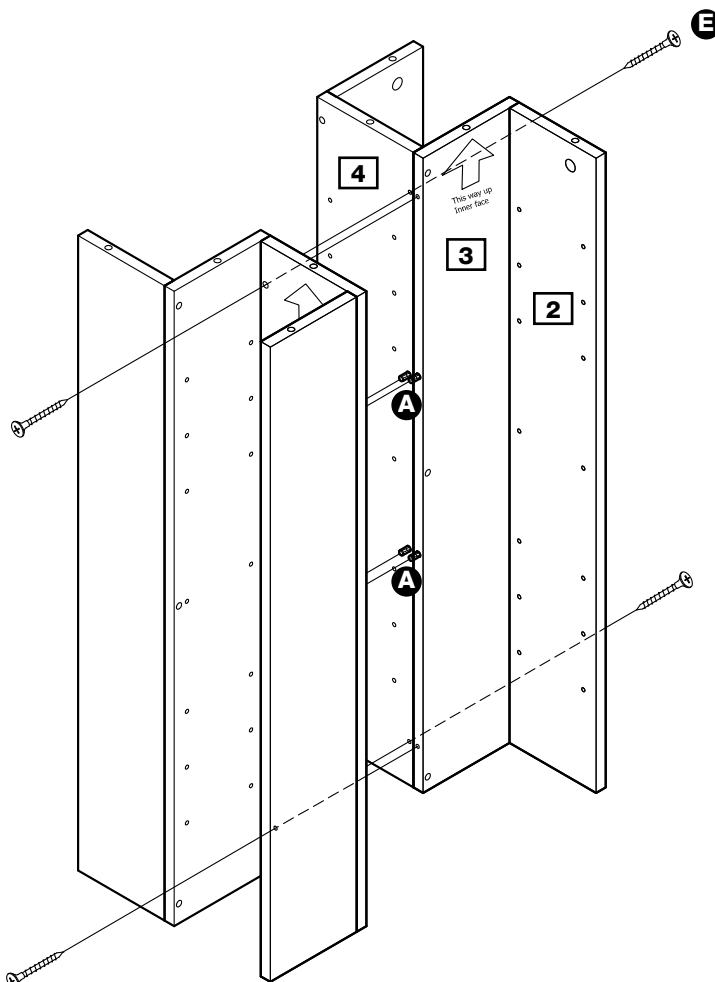


## Step 4

Insert Wood dowels **A** into the indicated holes in Dividers **4** and **3**.

Push one half section from Step 2 to the other section, make sure the wood dowels enter the corresponding holes.

Secure with 4 Screws **E**.

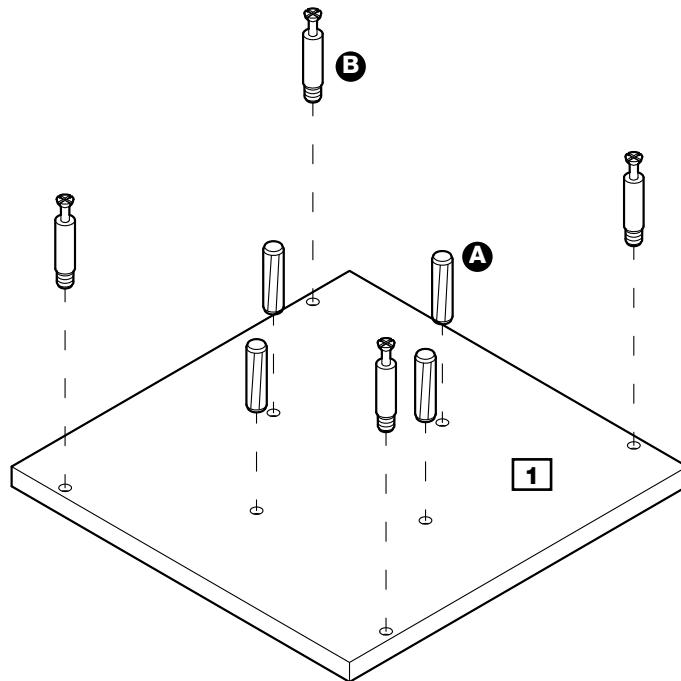


# Assembly Instructions

## Step 5

Insert Wood dowels **A** into the centre holes of Top panel **1**.

Screw Metal dowels **B** into the outer holes of Top panel **1**.



## Step 6

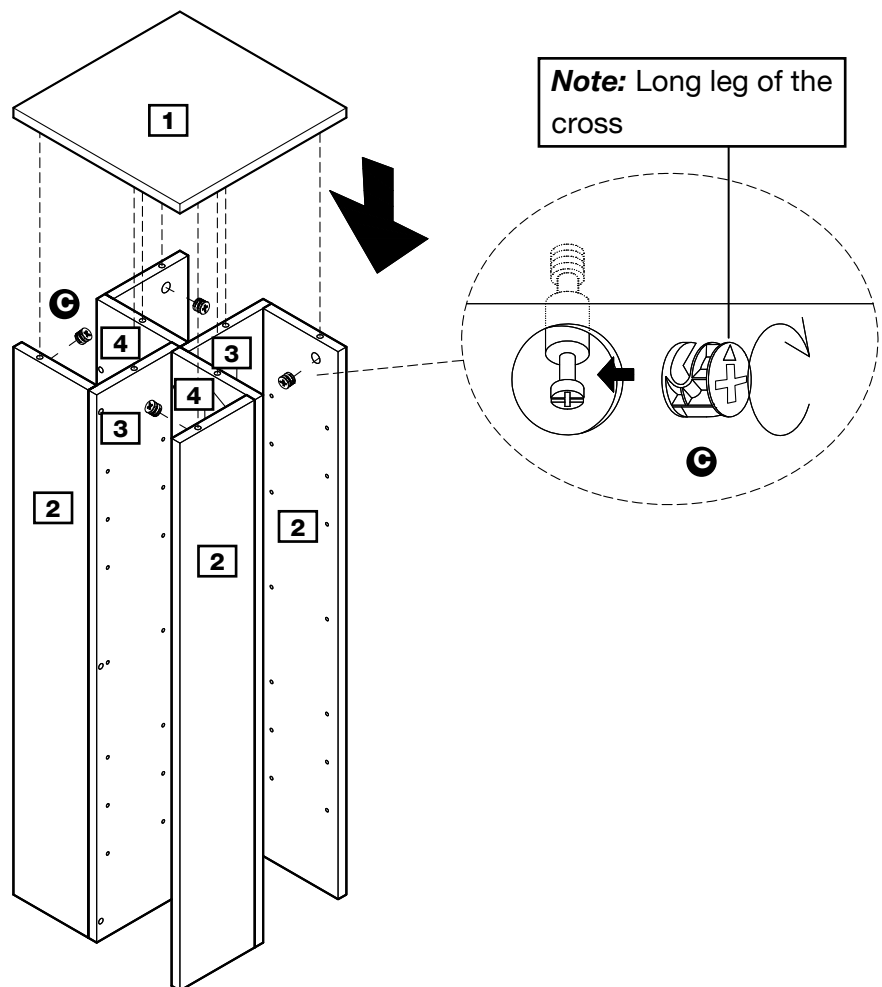
Firmly Push Top panel **1** onto end of Panel **2**, **3** and **4** so that the Wood dowel and Metal dowels enter the corresponding holes.

Insert 4 Cam locks **C** into the big holes in Side panels **2**.



**Note:** Longer leg of the cross on the Cam lock must face towards end of panel (as shown).

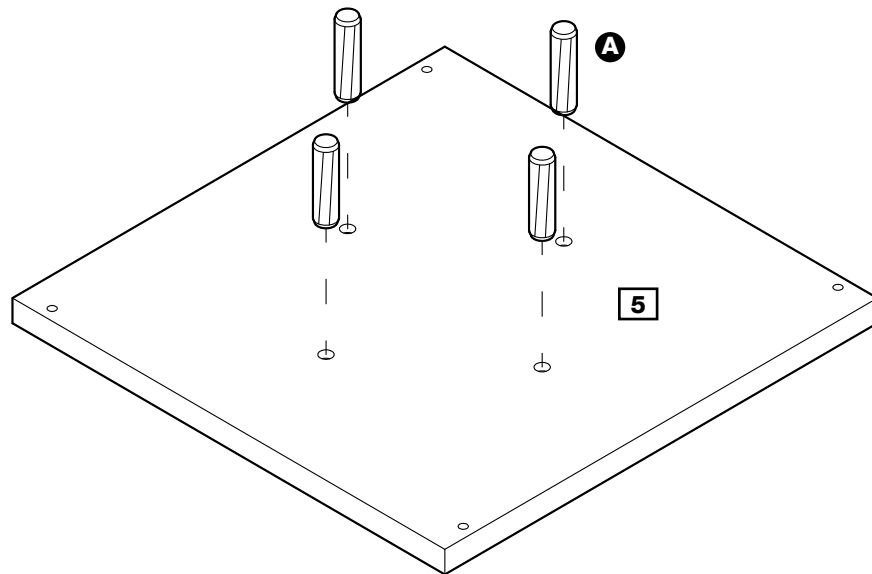
Then, using a Flatblade screwdriver, screw the Cam locks clockwise until they are 'hand tight'.



# Assembly Instructions

## Step 7

Insert Wood dowels **A** into the centre holes of Bottom panel **5**.

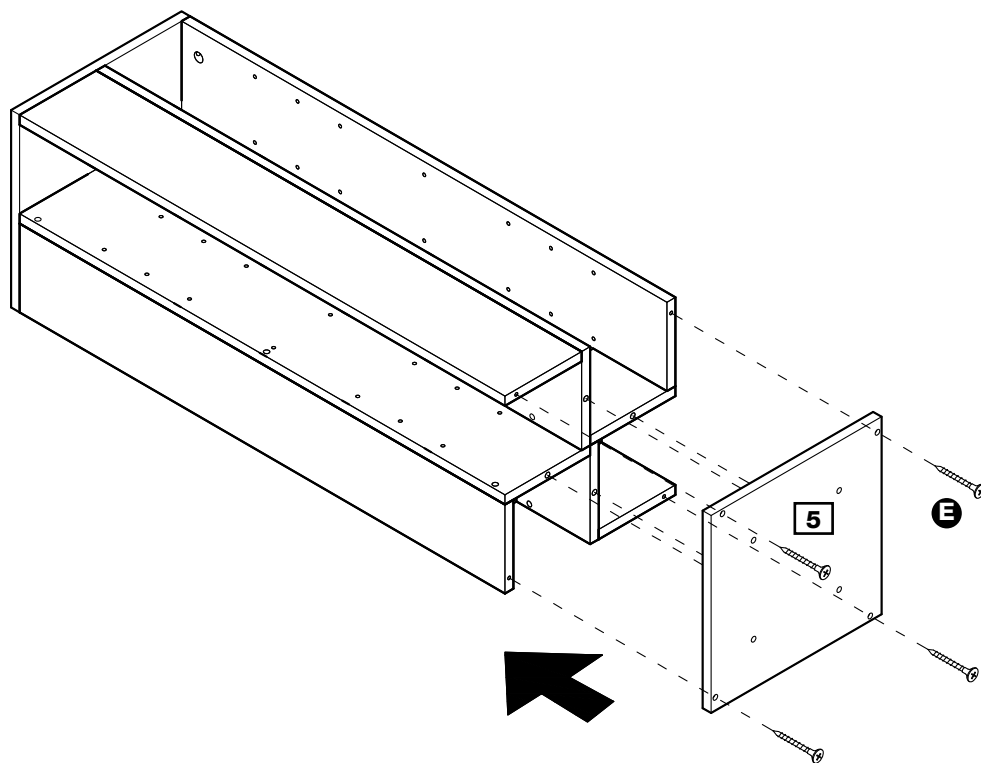


## Step 8

lay the box unit from Step 6 on its side.

Firmly Push Bottom panel **5** onto end of Panel **2**, **3** and **4** so that the Wood dowel enter the corresponding holes.

Secure with 4 Screws **E**.



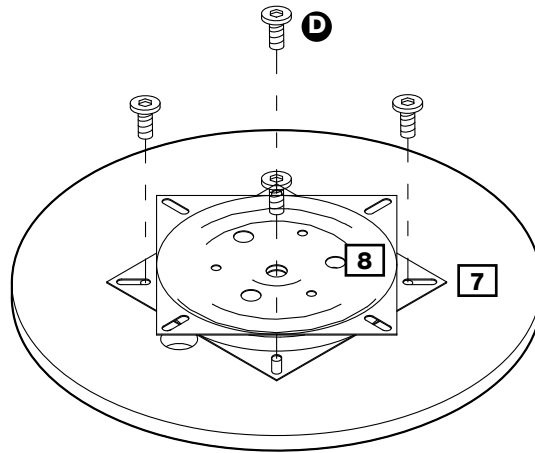


# Assembly Instructions

## Step 9

Lay the Base panel **7** on the ground.

Secure Turnplate **8** onto the threaded holes in Base panel with Bolts **D**.



## Step 10

Stand item on the Top panel. Locate the base part to the Bottom panel **5**, secure the Turnplate **8** onto the threaded holes in Bottom panel, using Bolts **D** by Allen key.



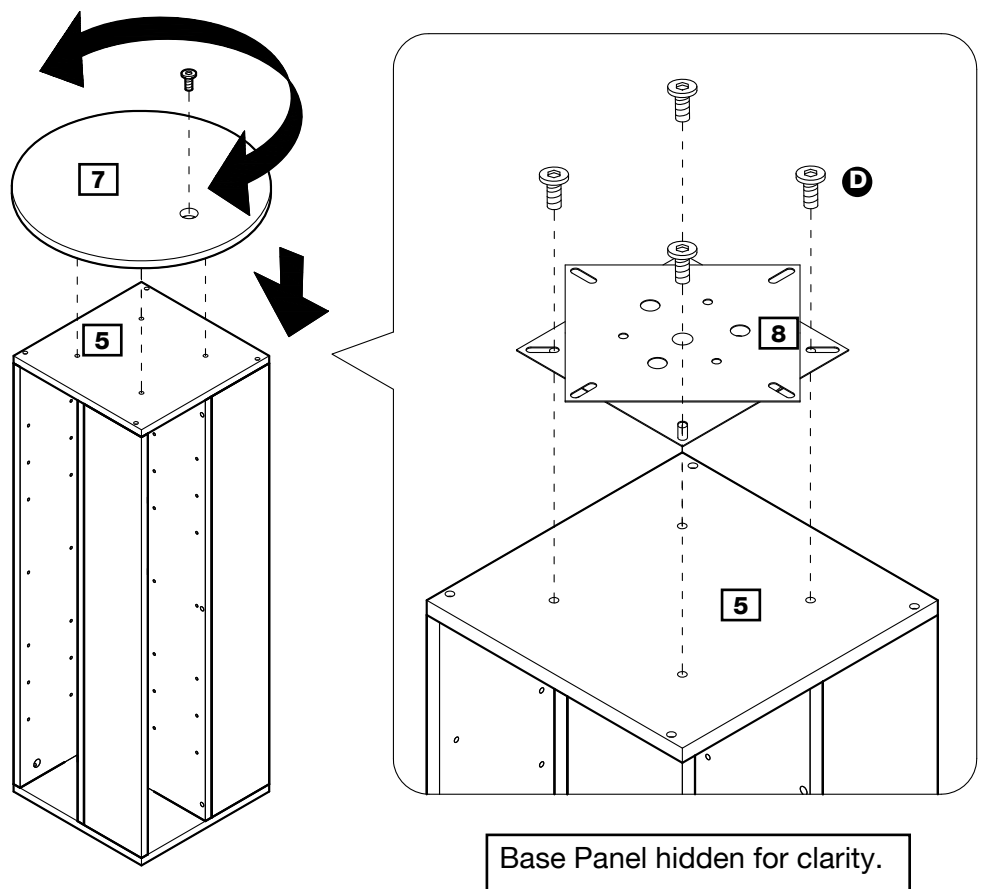
**Note:** 2 persons assembly recommended.

Revolve the Base panel to secure the bolt one by one through hole in Base Panel **7** as shown.



**Note:** Do not tighten the Bolts until all

Bolts have been properly located.

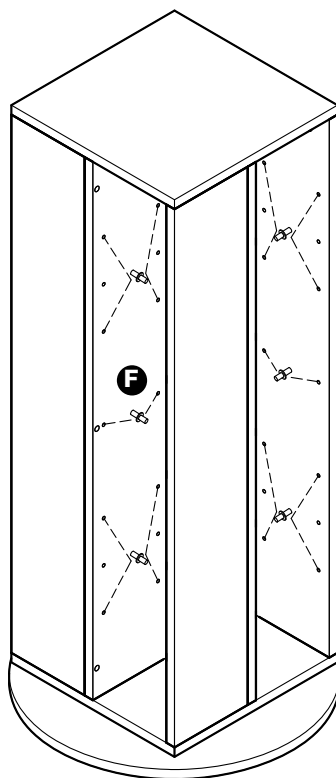


# Assembly Instructions

## Step 11

Turn the unit upright.

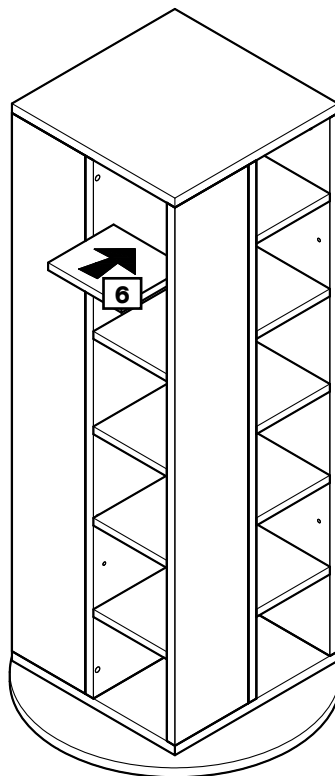
Insert Shelf pins **F** into the side holes at desired height.



## Step 12

Place Adjustable shelves **6** onto Shelf pins **F**.

Cover all visual screw holes with Cover pads **G**.



**Assembly is complete.**

If you need help or have damaged or missing parts, call the **Customer Help Line: 08456 400800**  
Home Retail Group plc. Avebury, 489-499 Avebury Boulevard. Milton Keynes. MK9 2NW