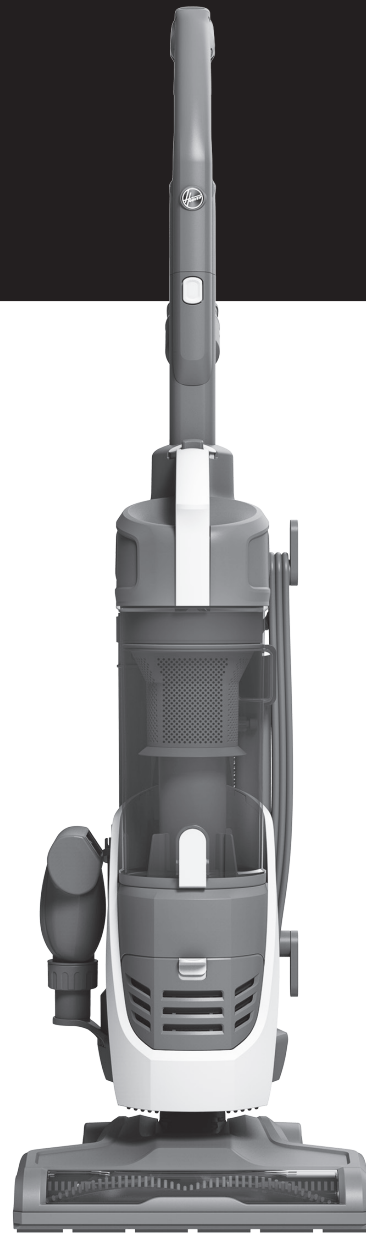




BORN INNOVATIVE

HOOVER



USER MANUAL

INSTRUCTIONS FOR SAFE USE

This appliance should only be used for domestic cleaning, as described in this user guide. Please ensure that this guide is fully understood before operating the appliance.

Do not leave the appliance plugged in. Always switch off and remove the plug from the socket after use, or before cleaning the appliance or any maintenance task.

This appliance can be used by children aged from 8 years and above and persons with reduced physical, sensory or mental capabilities or lack of experience and knowledge if they have been given supervision or instruction concerning use of the appliance in a safe way and understand the hazards involved. Children shall not play with the appliance. Cleaning and user maintenance shall not be made by children without supervision.

If the power cord is damaged stop using the appliance immediately. To avoid a safety hazard, an authorised Hoover service engineer must replace the power cord.

Keep hands, feet, loose clothing and hair away from rotating brushes.

Use only attachments, consumables or spares recommended or supplied by Hoover.

When using cleaning tools ensure that the appliance is kept in the upright (parked) position. This will avoid possible damage to the carpet or floor covering. When cleaning stairs, do not position the appliance above you.

Static electricity: some carpets can cause a small build up of static electricity. Any static discharge is not hazardous to health.

Do not use your appliance out of doors or on any wet surface or for wet pick up.

Do not pick up hard or sharp objects, matches, hot ashes, cigarette ends or other similar items.

Do not spray with or pick up flammable liquids, cleaning fluids,

aerosols or their vapours.

Do not run over the power cord when using your appliance or remove the plug by pulling on the power cord.

Do not continue to use your appliance if it appears faulty.

Hoover service: To ensure the continued safe and efficient operation of this appliance we recommend that any servicing or repairs are only carried out by an authorised Hoover service engineer.

Do not stand on or wrap the cord around arms or legs when using your appliance.

Do not use the appliance to clean animals or people.

When using the cleaning tools, ensure to always steady the appliance with your other hand. This will ensure that the appliance does not fall while in use.

This product contains magnetic material. Please contact your doctor if you have any questions on whether this might affect your implanted medical device.



WARNING: A thermal cut out switches off the appliance to prevent overheating if it is used when full or there is a blockage or dirty filters. If this should happen then switch off, unplug and correct the fault. It will take approximately 45 minutes for the cut out to automatically reset.

The Environment

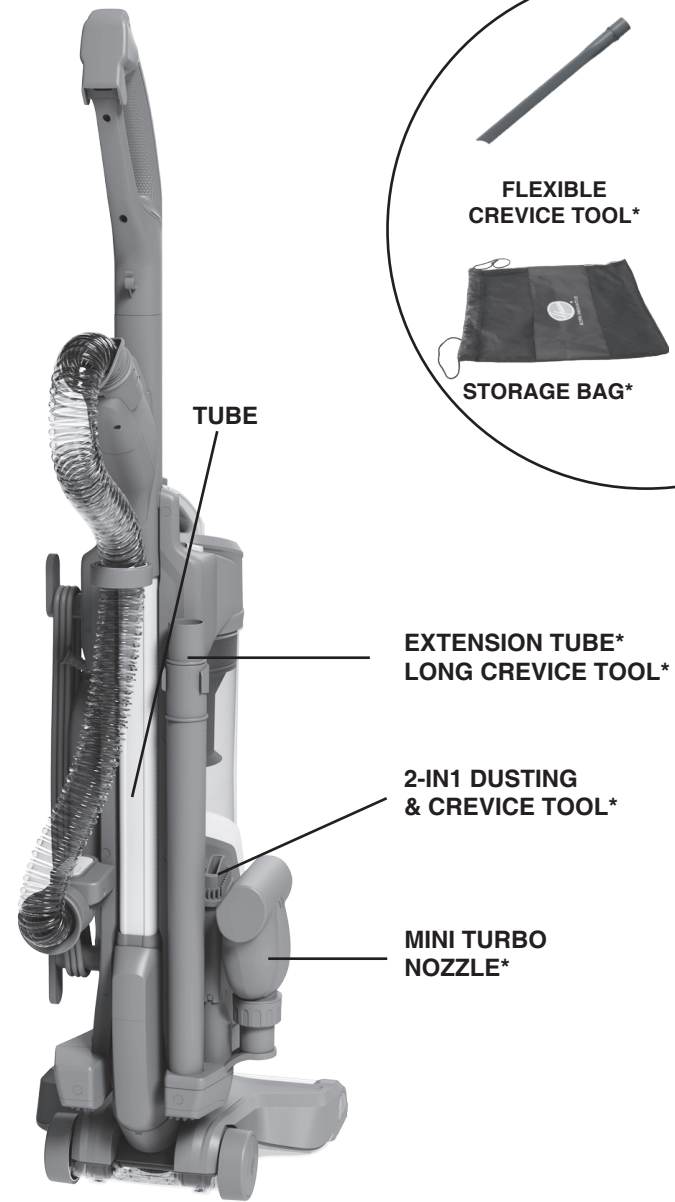
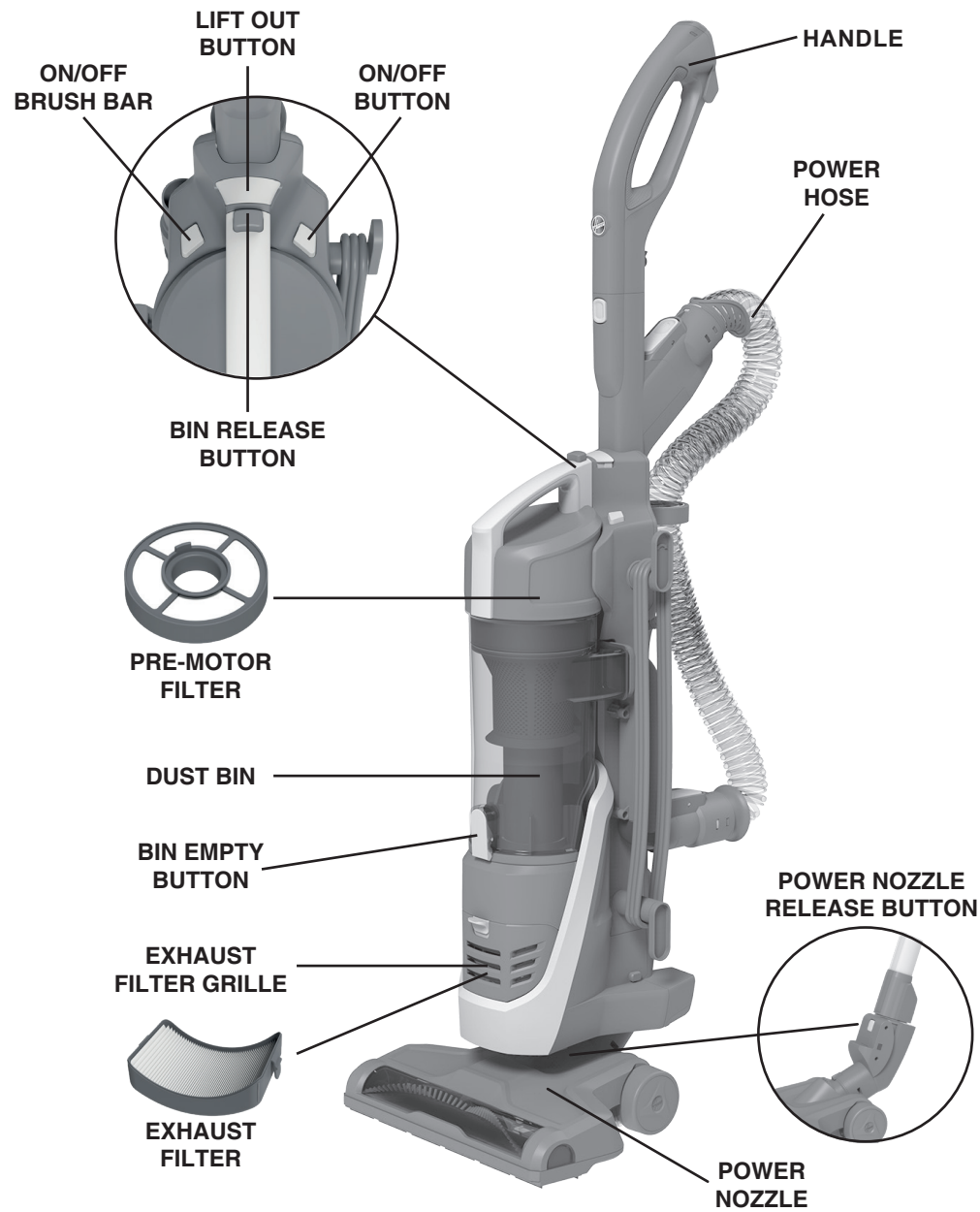
The symbol on this appliance indicates that this appliance may not be treated as household waste. Instead it must be handed over to the applicable collection point for the recycling of electrical and electronic equipment. Disposal must be carried out in accordance with local environmental regulations for waste disposal. For more detailed information about treatment, recovery and recycling of this appliance, please contact your local city office, your household and waste disposal service or the shop where you purchased the appliance.



CE This appliance complies with the European Directives 2014/35/EU, 2014/30/EU and 2011/65/EU.

CANDY HOOVER GROUP S.r.l. Via Privata Eden Fumagalli, 20861 Brugherio (MB) Italy

GETTING TO KNOW YOUR CLEANER

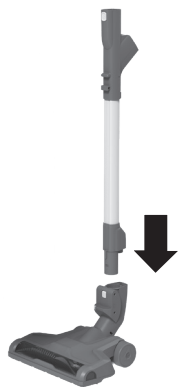


* Certain models only

PREPARING YOUR CLEANER

STEP 1

Insert the tube into the nozzle neck until you hear it 'click'



STEP 2

Insert the handle into the top of the tube until you hear it 'click'



STEP 3

Assemble the main body unit onto the tube until you hear it 'click'



STEP 4

Assemble the power hose to the cleaner. Both ends will 'click' into location.



STEP 5

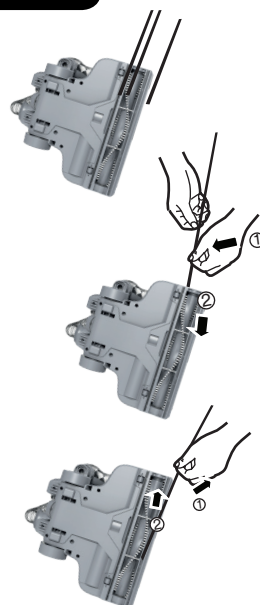
Assemble the 2-in1 dusting & crevice tool and the mini turbo nozzle onto the cleaner.



WIPER BLADE ASSEMBLY

To obtain the best performance and efficiency, it is recommended to assemble the front and back wiper blade to the soleplate of the nozzle.

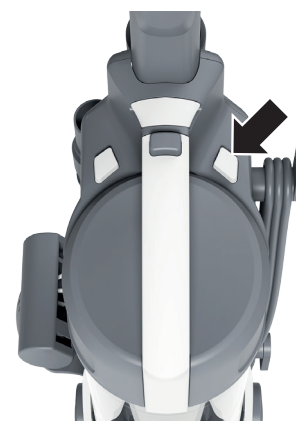
- 1 Lift one end of the fluffy stripe and slide along the slot till fully out.
- 2 Grip the inserted side of the wiper blade and slide along the slot until the wiper blade is fully located.
- 3 To get a lower push force of the cleaner, you can keep the fluffy stripe in back slot and disassemble the front wiper blade.
Note: The front and back wiper blade can't mixing use.



ON/OFF BUTTONS

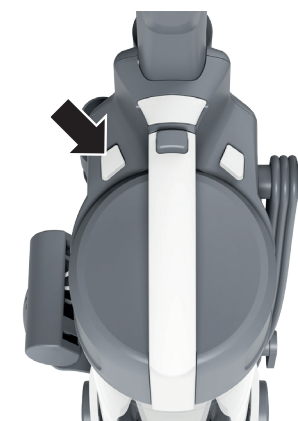
Main Power On/Off Button

Press the On/Off button to operate the cleaner.



Brush Bar On/Off Button

Press the brush bar On/Off button to activate the brush bar.
Brush bar on: recommended for carpets.
Brush bar off: recommended for hard floors.



UPRIGHT CLEANING MODE

Recline to unlock the cleaner.



Twist the handle to manoeuvre under or around furniture.

This vacuum cleaner features Intellicare technology which helps to protect your carpet from unnecessary wear. When you stop moving the cleaner, the nozzle power will be automatically cut off. You can still use on hose mode with accessories. When the cleaner is moved, the power nozzle automatically reverts back to full power.*

ABOVE FLOOR CLEANING MODE



Detach the power hose from the tube (1), release the handle from the tube (2) and attach the power hose directly to the handle (3). Add the tool of your choice onto the handle. This configuration is advised for above floor cleaning.

STICK CLEANING MODE



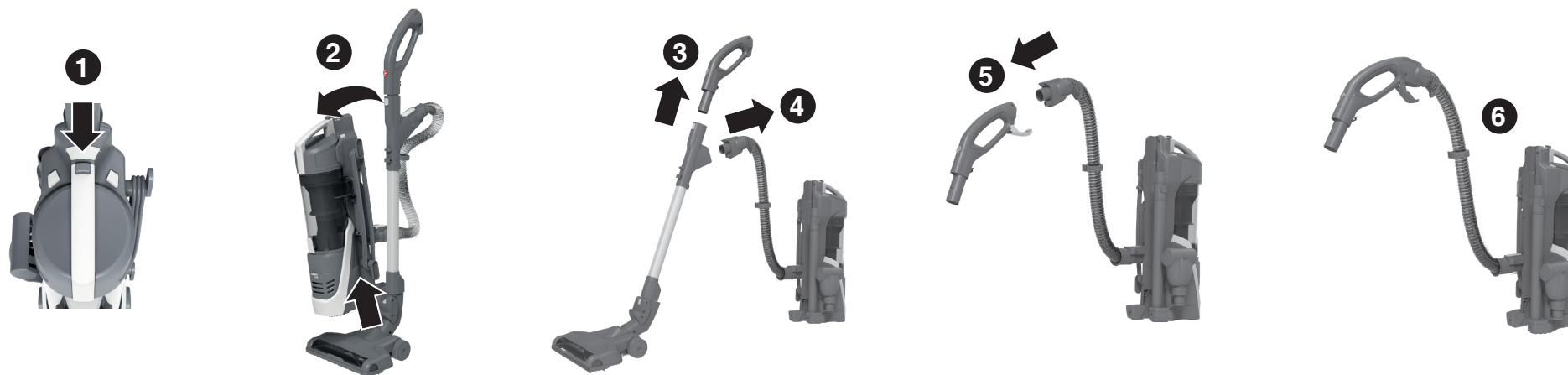
Release the main body unit by pressing the lift out button (1) and lifting the main body unit out upward (2). You can now handle the main body, or put it on the floor and use the rest of the product in stick mode (3). This configuration is advised to clean under furniture and in tight spaces.

LIFT OUT CLEANING MODE - WITH TUBE



Release the main body unit by pressing the lift out button (1) and lifting the main body unit out and upward (2). Remove the power nozzle from the cleaner by pressing the nozzle release button (3). You can now handle the main body, add accessories to the tube and use the product in lift out mode (4). This configuration is advised for above floor cleaning.

LIFT OUT CLEANING MODE - WITH HANDLE



Release the main body unit by pressing the lift out button (1) and lifting the main body unit out and upward (2). Remove the handle from the tube (3), remove the power hose from the tube (4), fit the power hose to the handle (5). You can now handle the main body, add accessories to the handle and use the product in lift out mode (6). This configuration is advised to clean the stairs.

IMPORTANT INFORMATION



WARNING: When using your product in stick mode or lift out mode. Always ensure solid footing and hold the unit whilst using the product.

WARNING: When the power hose is attached to the handle, **do not** use the tube or the floor nozzle, these are not working configurations.

ACCESSORIES

All accessories can be fitted directly onto the handle and the tube, accessories can be combined dependant on use for additional reach.

2in1 Dusting Brush & Crevice Tool*: For bookshelves, frames, keyboards, etc. / for corners and hard to reach areas.

Extension Tube*: Adds extended length for your cleaning needs.

Long Crevice Tool*: Extended length for corners and hard to reach areas.

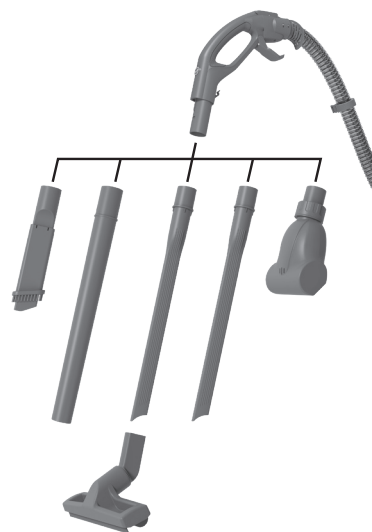
Long Flexible Crevice Tool*: Extra flexibility for awkward hard to reach areas.

Mini turbo Nozzle*: Ideal for removing pet hairs (Do not touch the rotating brush)

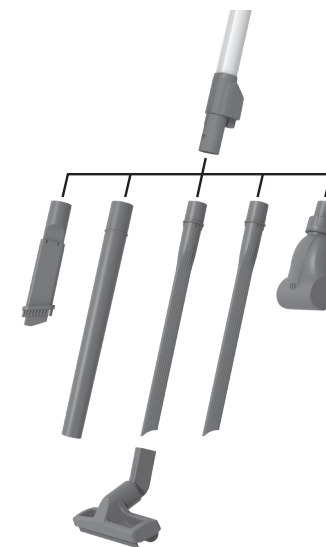
Parquet Nozzle*: Ideal for cleaning delicate surfaces.

Configure your product in Above Floor cleaning Mode or Lift Out cleaning mode to use your accessories.

ACCESSORIES ON THE HANDLE



ACCESSORIES ON THE TUBE



CLEANING THE STAIRS

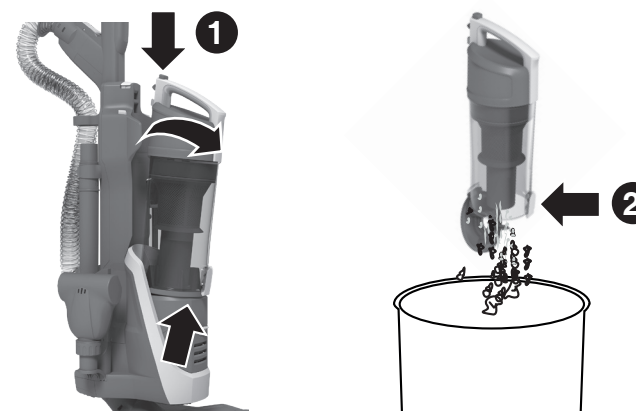
You can conveniently clean the stairs in Lift out mode.

We advise to use the mini turbo nozzle.

WARNING: Always ensure solid footing and hold the unit whilst using the product in lift out mode.



EMPTYING THE BIN



To remove the bin from the product, press the bin release button (1) and lift the bin unit away from the product. Hold the bin over the trash bin and press the bin empty button (2) the bin flap will open and the debris will empty into the trash with no dust contact. Once emptied, gently tap or shake the bin to release excess dust.

Note: Do not fill the bin above the max level.

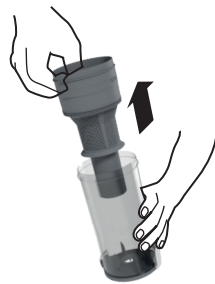
CLEANING THE PRE-MOTOR FILTERS



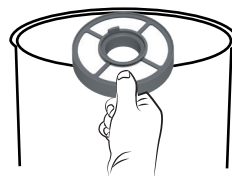
Rotate the upper part of the bin to open (1).



Remove the pre-motor filter from the bin (2).



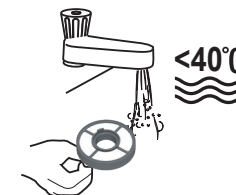
Remove the separation unit from the bin (3) and clean with a dry cloth.



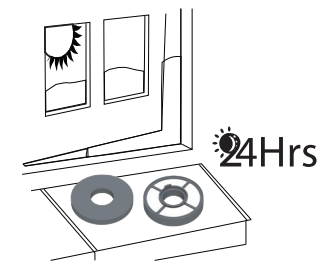
Gently tap the pre-motor filter assembly on a trash bin to release any excess dust (4).



Separate the sponge from the pre-motor filter assembly (5).



Wash both parts of the pre-motor filter under warm water until the water runs clean (6).



Remove excess water and leave to dry for 24hours (7). Only re-fit the filters when completely dry.

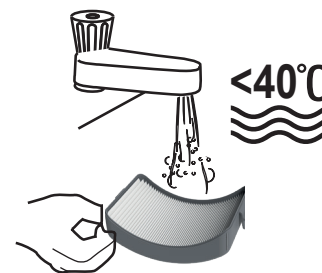
CLEANING THE EXHAUST FILTER



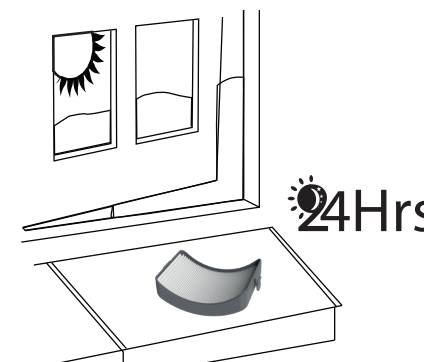
Remove the exhaust filter grille from the cleaner (1).



Remove the exhaust filter from the cleaner (2).



Wash the exhaust filter under warm water until the water runs clean (3).



Remove excess water and leave to dry for 24hours (4). Only re-fit the filter when completely dry.

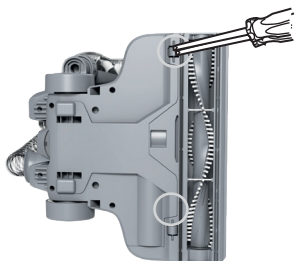
CHANGING THE BELT OR BRUSHES

! **IMPORTANT:** Switch the cleaner off and remove the plug from the electricity supply before attempting any maintenance.

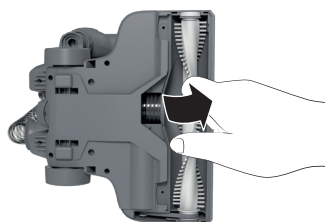
If your cleaner is not picking up efficiently, the belt or brushes (or both) may need replacing, but first please make sure you have:

- Emptied the bin
- Cleaned the filters
- Checked for blockages

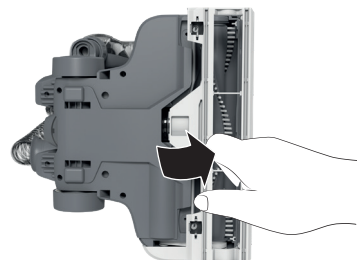
- 1** Turn the cleaner over and remove 2 rear rollers and 2 retaining screws.



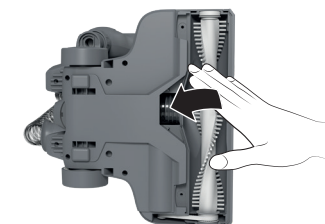
- 4** Hold the brush assembly and stretch the belt until the brush can be slotted back into the cleaner housing.



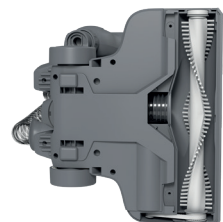
- 2** Remove the brush guard.



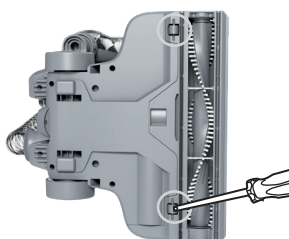
- 5** Rotate the brush to ensure free movement of the belt.



- 3** Remove brush assembly and check for wear on the belt. Loop the new belt around the motor and brush channel.



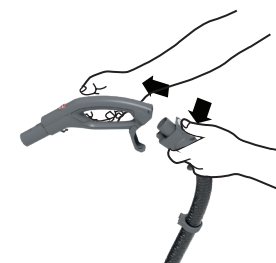
- 6** Refit the brush guard with 2 retaining screws and 2 rear rollers..



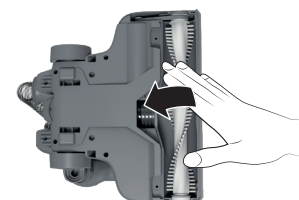
NOTE: If the brush has blocked and stopped rotating, switch off and remove the plug from the electricity supply, then use a pair of scissors to cut through any threads or hairs caught around the brush. Re-assemble the brush and brush guard.

CLEARING A BLOCKAGE

Check the cleaning tools and hose for blockages.

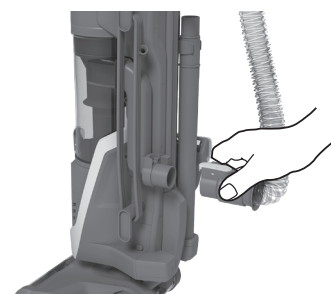


Turn the cleaner over and rotate the brushes to identify any obstructions including hair.



The hose can be removed at both ends.

Check for a blockage in the hose socket. Use a flexible rod to remove any obstruction.



Removing a blockage from the mini turbo nozzle*. Open the nozzle at each side, lift cover and remove the blockage.



USER CHECKLIST

If your cleaner is not working properly run through the following checklist.

1. Is there a working electricity supply to the cleaner?
Check with another electrical product.
2. Is the bin full or choked with fine dust?
To empty the bin, see the User Manual on P7.
3. Is the hose blocked?
To clear a blockage, see the User Manual on P9.
4. Is there a blockage in the cleaner base?
To clear a blockage, see the User Manual on P9.
5. Are the filters blocked?
To clean filters, see the User Manual on P8.
6. Are the brushes rotating correctly?
To check the brushes, see the User Manual on p9.
7. Has the cleaner overheated?
If so, it will take about 45 minutes to reset.

If there is any doubt call the Hoover Service Office for advice. They may be able to assist you over the telephone. A service charge will be made if the cleaner is examined and found to be in working order, has not been assembled in accordance with these instructions or has been used incorrectly.

WARNING! A thermal cut out switches off the cleaner to prevent overheating if it is used when full or there is a blockage or dirty filters. If this should happen switch off, unplug and correct the fault.
It will take about 45 minutes for the cut out to automatically reset.

IMPORTANT: Do not run cleaner over the power cord as this could damage the power cord insulation.

IMPORTANT INFORMATION

Hoover Service

Should you require service at any time, please contact your local Hoover Service Office.

Hoover spares and Consumables

Always replace parts with genuine Hoover spares. These are available from your local Hoover dealer or direct from Hoover. When ordering parts always quote your model number.

QUALITY

Hoover's factories have been independently assessed for quality. Our products are made using a quality system which meets the requirements of ISO 9001

GUARANTEE STATEMENT

The guarantee conditions for this appliance are as defined by our representative in the country in which it is sold. Details regarding these conditions can be obtained from the dealer from whom the appliance was purchased. The bill of sale or receipt must be produced when making any claim under the terms of this guarantee.

Subject to change without notice.



®

BORN INNOVATIVE

PRINTED IN P.R.C.
48027522/01