

cookworks

Brushed Stainless Steel Kettle

Model NO.: KE01402E-GS



Care & Instruction Manual

For household and indoor use only

Please read these instructions before use and retain for
future reference



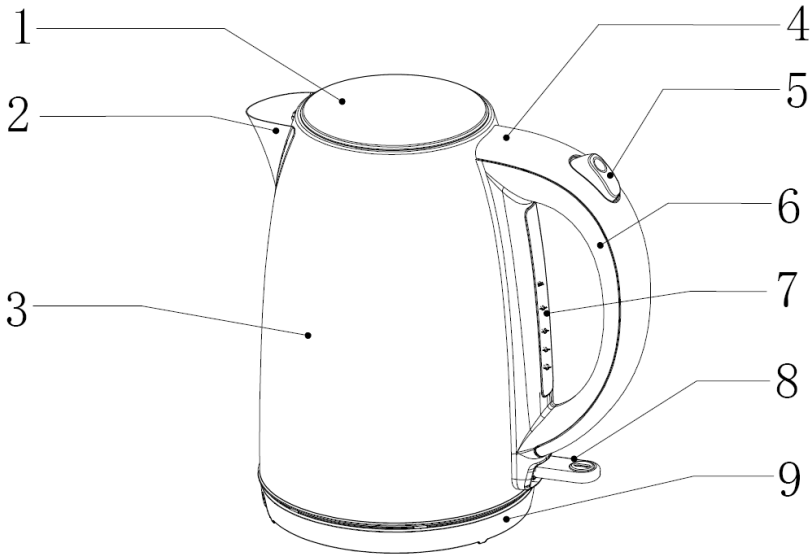
ELECTRICAL SAFETY

- You should only plug the appliance into a 220V-240V AC, 50Hz supply. Connecting it to other power sources may damage the appliance and will invalidate the guarantee.
- Switch off and unplug when not in use and before cleaning the appliance.
- Keep the appliance and its cord out of reach of children less than 8 years.
- Do not allow children to use the appliance without supervision.
- This appliance can be used by children aged from 8 years and above and persons with reduced physical, sensory or mental capabilities or lack of experience and knowledge if they have been given supervision or instruction concerning use of the appliance in a safe way and understand the hazards involved. Children shall not play with the appliance. Cleaning and user maintenance shall not be made by children unless they are older than 8 and supervised.
- Keep stand, cable, plug and outside of kettle dry and away from areas where it is likely to get splashed. Avoid spillage on the connector. Never immerse in water.
- Do not pull on the cable to disconnect from mains supply.
- Do not operate the appliance if damaged or after it malfunctions. In the event the supply cord is damaged, in order to avoid a hazard it must only be replaced by a qualified service engineer, with a suitably approved part.
- This appliance must be positioned so that the plug is accessible and the plug socket is within easy reach of the power cord.
- This appliance must be plugged in to an earthed socket outlet.

WARNING!

- This appliance is intended exclusively for use in domestic households. It is not suitable for commercial use.
- Do not open the lid while the water is boiling or when steam is coming out of the kettle.
- Do not cover and allow the kettle to cool fully before storing.
- The surfaces of the kettle will become hot during use. Do not touch and always carry by the handle. Note the kettle and heating element is subject to residual heat after use.
- Do not use the kettle near or under surfaces that are heat sensitive or those that may be damaged by steam.
- Do not overfill the kettle as boiling water may be ejected during operation.
- Use only with the stand provided and to heat water. This appliance can cause personal injury if misused.

PARTS



- | | | | |
|----|--------------|----|-------------|
| 1. | Lid | 6. | Handle |
| 2. | Spout | 7. | Water Gauge |
| 3. | Body | 8. | Switch |
| 4. | Handle cover | 9. | Base |
| 5. | Lid Button | | |

TO USE

1. Place the kettle on a stable, flat, heat resistant surface and away from surfaces that may be damaged by steam.
2. Fully unwind the cable and plug in. For safety do not allow the cable to dangle over the edge of units.
3. Remove the kettle from the stand; open the lid by pressing on the lid button. Fill to the required level using the graduated markings on the clear panel as a guide. Do not fill past the maximum (1.7 litre / 6 cups) or below the minimum (0.75 litre / 3 cups) level.
4. Close the lid fully (it clicks as it closes) and ensure that the switch is in the off position (lift switch up) before replacing on the stand
5. Turn the kettle so that the spout faces away from you and switch the kettle on by pressing the switch downwards. The kettle will start to operate and the blue power indicator lamp in the switch will illuminate
6. When the water boils, the kettle will switch off automatically and the lights will go off.
7. To stop or interrupt the boiling process, switch the appliance off by lifting the switch up before removing the kettle from the stand.

Notes :

- Before using for the first time, fill the kettle to the maximum level, bring to the boil and then discard water. Repeat this step one further time.
- This kettle is fitted with a safety device that automatically switches off the heater element if the appliance is inadvertently switched on when empty or if it boils dry. In this case allow the kettle to cool completely (minimum 15 minutes) before refilling with cold water. The kettle will resume operation after refilling.

CLEANING

To maximize the efficiency of the kettle, clean and descale it regularly.

1. Switch off, unplug the kettle and allow it to cool completely.
2. Press the lid release to open the lid and slide out the filter as below (1-3).

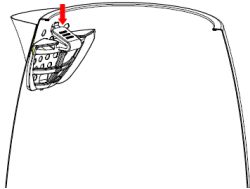


Fig. 1

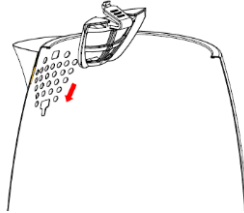


Fig. 2

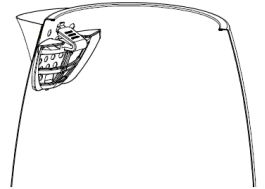


Fig. 3

3. Clean the filter under a running tap while gently brushing with a soft nylon brush to remove the scale.
4. Descale with a proprietary descaler suitable for kettles and use in accordance with the instructions on the pack. Alternatively half fill the kettle with water and add the juice of one lemon. Boil the kettle and allow it to stand for 15 minutes. Repeat this last step a further two times before discarding the solution.
5. After descaling, fill the kettle to the maximum level, bring to the boil and then discard the water.
6. Refit the filter. Support the filter with the fingers and fit the bottom of the filter into the clip at the base of the spout. Clip the top of the filter under the top lip of the spout.
7. Wipe external surfaces with a soft damp cloth; do not use detergents or abrasives as these may scratch the surface.

TECHNICAL SPECIFICATION

| | |
|--|-----------------------|
| Cookworks Brushed Stainless Steel Kettle | |
| Model no. | KE01402E-GS |
| Rated Voltage & Frequency | 220 - 240V AC 50-60Hz |
| Rated Power Input | 1850-2200W |
| Capacity | 1.7 litre |
| Class rating | 1 (earthed) |
| BS 1362 fuse | 10A |
| Product dimensions (external) | 226 x 154 x 242mm. |
| Product weight (net) | 1 kg approx. |



RECYCLING ELECTRICAL PRODUCTS

You should now recycle your waste electrical goods and in doing so help the environment.

This symbol means an electrical product should not be disposed of with normal household waste. Please ensure it is taken to a suitable facility for disposal when finished with.

Visit www.recycle-more.co.uk, click on “bank locator” and enter your postcode to find your nearest recycling site.



PLUG / WIRING ADVICE

The wires in this mains lead are coloured in accordance with the following UK electrical code:

BLUE = NEUTRAL

BROWN = LIVE

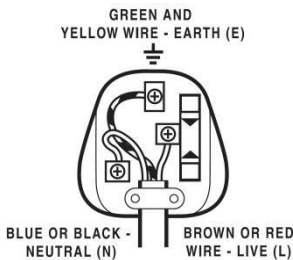
GREEN + YELLOW = EARTH

Non-rewireable plug

This appliance may be fitted with a “non-rewireable” plug. If you need to change the fuse in a “non-rewireable” plug, the fuse cover must be refitted. If the fuse cover is lost or damaged, the appliance must not be used.


Rewireable plug

The colours of the wires in the mains lead of this appliance may not correspond with the coloured markings identifying the terminals in a rewireable plug. **Rewireable plugs should only be replaced by a suitably competent person. If in doubt, consult a qualified electrician.**



The BLUE wire must be connected to the terminal marked with the letter N

The BROWN wire must be connected to the terminal marked with the letter L

The GREEN & YELLOW wire must be connecting to the terminal marked with the letter E or the earth symbol .

Produced in China.

Argos Limited, 489-499 Avebury Boulevard,
Milton Keynes, MK9 2NW.

Argos (N.I.) Ltd, Forestside Shopping Centre,
Upper Galwally, Belfast, United Kingdom, BT8
6FX.

Argos Distributors (Ireland) Limited, Unit 7,
Ashbourne Retail Park, Ballybin Road,
Ashbourne, County Meath, Ireland

www.argos.co.uk/cookworks

Tel: 0345 640 3030



PRODUCT GUARANTEE

This product is guaranteed against manufacturing defects for a period of



Year

This product is guaranteed for twelve months from the date of original purchase.

Any defect that arises due to faulty materials or workmanship will either be replaced, refunded or repaired free of charge where possible during this period by the dealer from whom you purchased the unit.

The guarantee is subject to the following provisions:

- The guarantee does not cover accidental damage, misuse, cabinet parts, knobs or consumable items.
- The product must be correctly installed and operated in accordance with the instructions contained in this manual. A replacement copy of this instruction manual can be obtained from www.argos-support.co.uk
- It must be used solely for domestic purpose.
- The guarantee will be rendered invalid if the product is re-sold or has been damaged by inexpert repair.
- Specifications are subject to change without notice.
- The manufacturer disclaims any liability for the incidental or consequential damages.
- The guarantee is in addition to, and does not diminish your statutory or legal rights.

Guarantor: Argos Ltd
489 - 499 Avebury Boulevard
Central Milton Keynes
MK9 2NW
www.argos-support.co.uk