

JESSIE. NARROW BOOKSHELF

Assembly Instructions - Please keep for future reference

JESS-NS-AW14-A

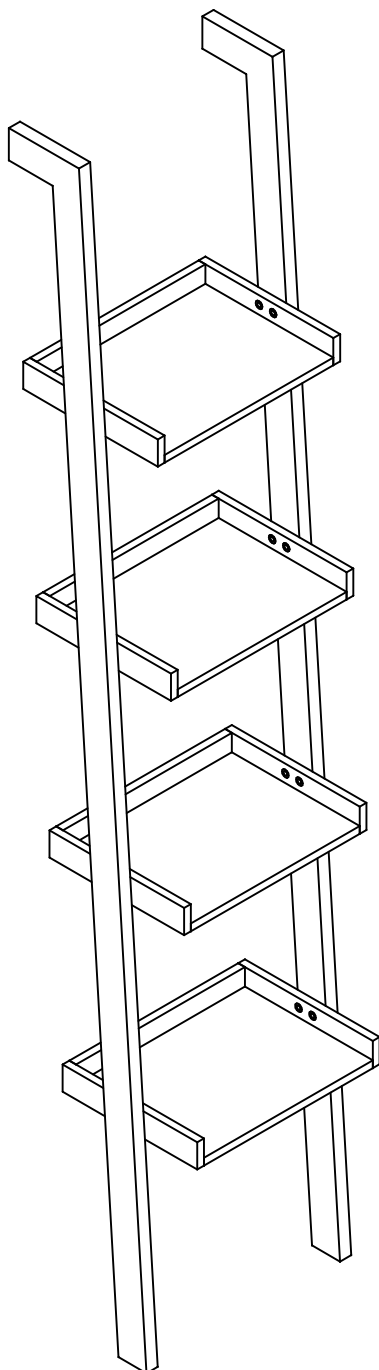
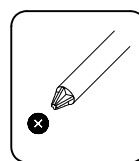
Dimensions

Width - 36,5 cm

Depth - 31,6 cm

Height - 180 cm

Tools required



60051 - 060 - Rev 5

Important-Please read these instructions before assembly

If you help or have damaged or missing parts, call the
Customer Helpline: 0344 499 4686
or email: customerservices@habitat.co.uk

habitat 



Safety and Care Advice

Important - Please read these instructions fully before starting assembly

Check you have all the components and tools listed on the front cover and pages 3 - 4.

Remove all fittings from the plastic bags and separate them into their groups.

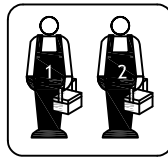
Keep children and animals away from the work area, small parts could choke if swallowed.

Make sure you have enough space to layout the parts before starting.

Do not stand or put weight on the product, this could cause damage.

Assemble the item as close to its final position (in the same room) as possible.

Do not place furniture directly in front of radiators, fires or any other source of heat.



Parts of the assembly will be easier with 2 people.

Assemble on a soft level surface to avoid damaging the unit or your floor.



We do not recommend the use of power drill/drivers for inserting screws, as this could damage the unit. Only use hand screwdrivers.

Dispose of all packaging carefully and responsibly.

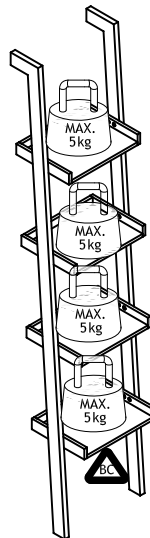
General care and maintenance

Only clean using a damp cloth and mild detergent, do not use bleach or abrasive cleaners.

From time to time check that there are no loose screws on this unit.

This product should not be discarded with household waste. Take to your local authority waste disposal centre.

Maximum recommended loading



General information

If for any reason you should have problems with your Habitat product, please contact the store from which you purchased it.

Please retain your receipt as proof of purchase.

If you have any comments or suggestions regarding this product, assembly instructions or service

received, please contact the store or Habitat Head Office via its web site: www.habitat.co.uk or write directly to: Habitat Retail Ltd, 489-499 Avebury Boulevard, Milton Keynes MK9 2NW

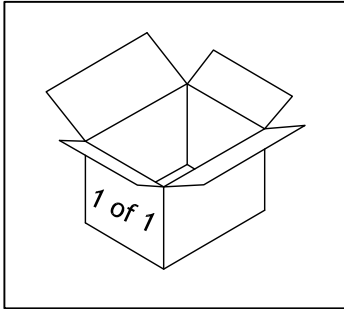
Components - Panels

If you have damaged or missing components, call the Customer Helpline: 0844 499 4686 or email: customerservices@habitat.co.uk

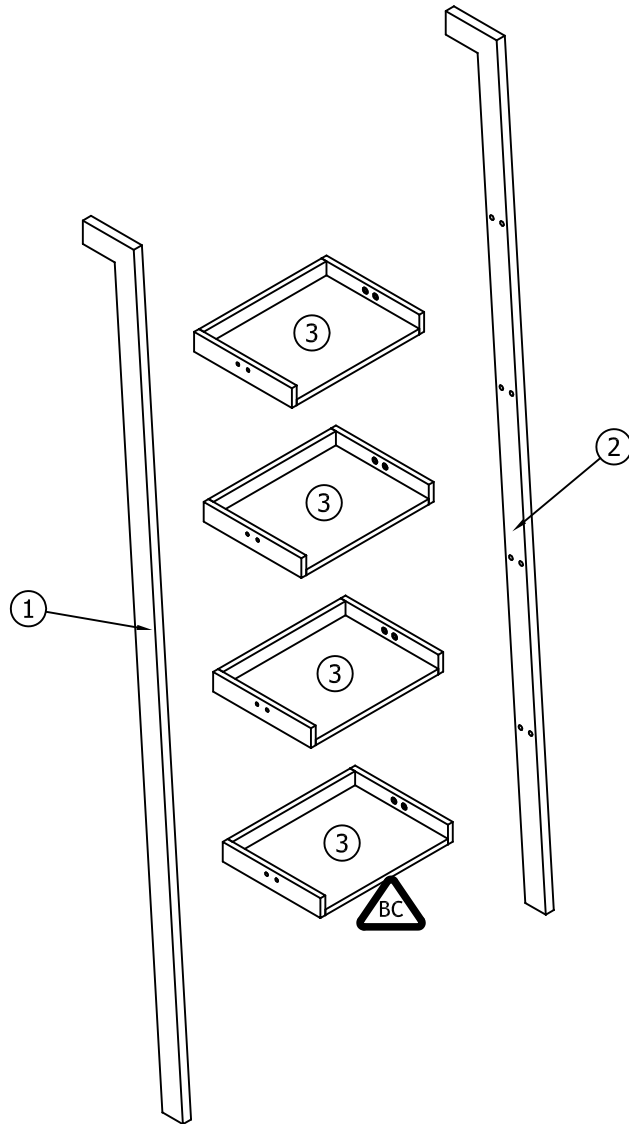
Please check you have all the panels listed below



Note: There are 'Batch Code' labels where shown on the indicated items, these should be retained.



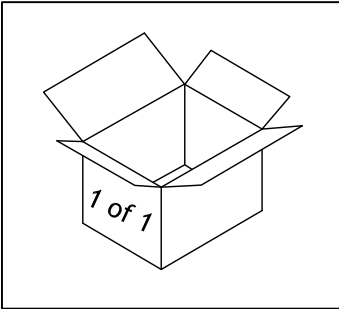
PART	QTY	SIZE	COLLI	✓
1	1	1804x125/50x20	1/1	
2	1	1804x125/50x20	1/1	
3	4	325x240x42	1/1	



Components - Fittings

If you have damaged or missing components,
call the Customer Helpline: 0844 499 4686
or email: customerservices@habitat.co.uk


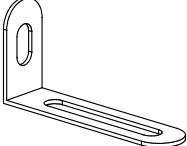
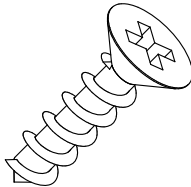
Please check you have all the fixings listed below



Note: The quantities below are the correct amount to complete the assembly.
In some case more fittings may be supplied than are required.

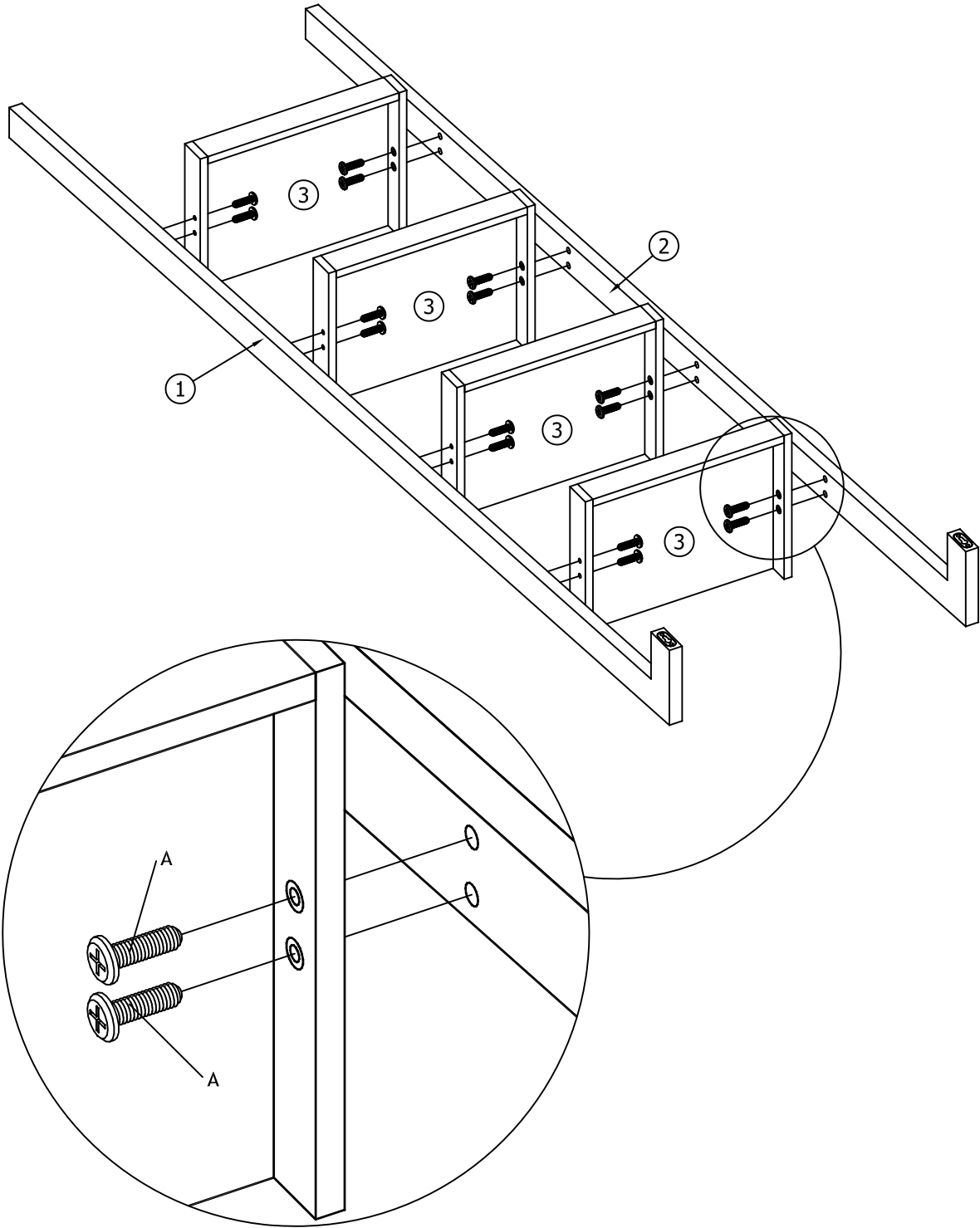
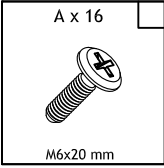
Ruler - To help correctly identify the fixings



<p>A x 16</p>  <p>M6x20 mm</p>	<p>B x 1</p>  <p>49x24x12 mm</p>	<p>C x 1</p>  <p>Ø3x12 mm</p>
---	---	---

Assembly Instruction

Step 1



Step 2

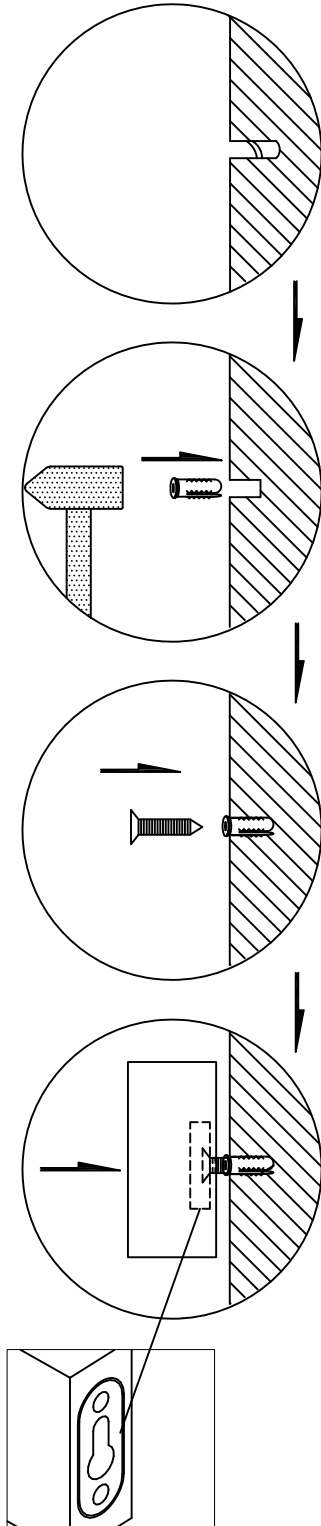
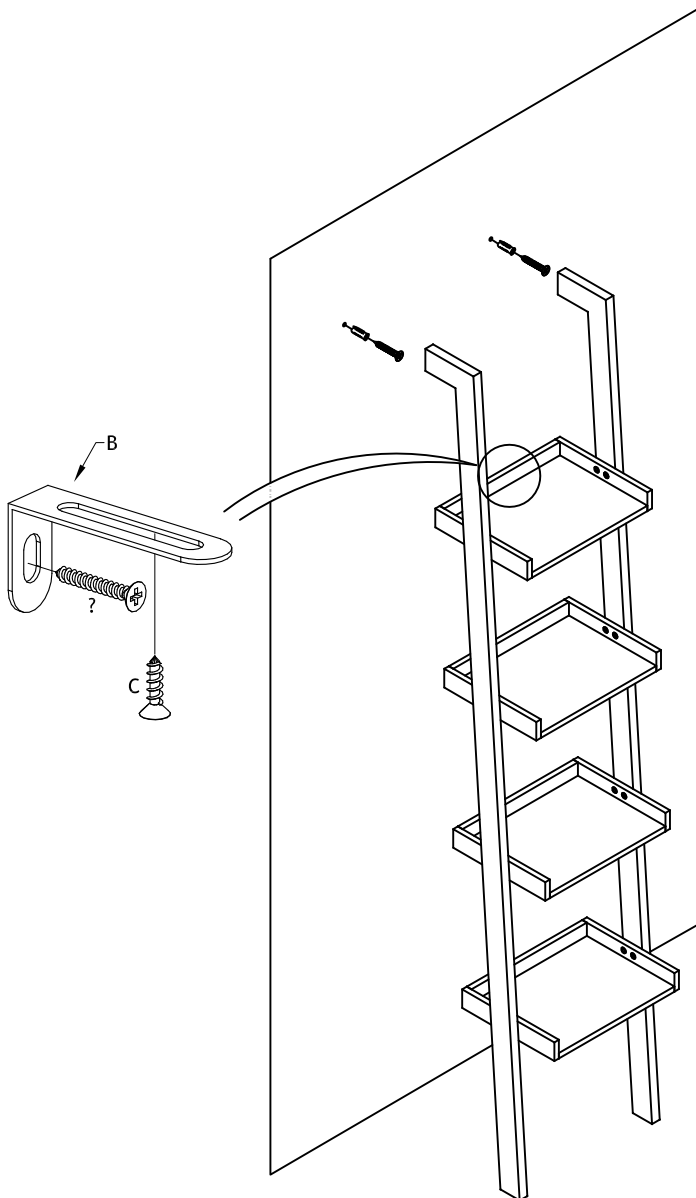
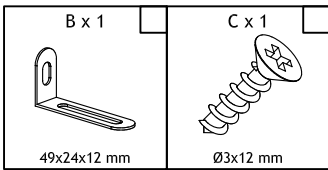
WARNING! This product must be attached to a wall.

In order to prevent overturning this product must be used with the wall attachment device provided. Serious or fatal crushing injuries can occur from furniture tipping over. To help prevent topple over :

- Use the wall attachment devices provided
- Never allow children to climb or hang on shelves
- Do not overload the shelves beyond maximum recommended loading.
- Place heaviest items in the lower shelves.
- This product is not designed to hold TV's or other heavy objects

This product is supplied a 2 pre-fitted keyhole fixings, one at the top of each upright, and a metal wall bracket. We provide you with a screw for attaching the bracket to the underside of the shelf, however you must source and supply suitable fixings for your wall type. If in doubt consult a qualified trades person.

Always ensure that the wall to be drilled into is free from hidden electrical wires, water and gas pipes.



A Guide to - Wall Mounting & Fixings

Important note:

Wall Fixings:



- because of the variety of different wall types, Habitat cannot provide you with the exact fixings you will need to fix this product to the wall.


You must first identify the type of wall you intend to fix product onto and then contact your local hardware store to get the appropriate fixings.



Important: When drilling into walls always check that there are no hidden wires or pipes etc.

Make sure that the screws and wall plugs being used are suitable for supporting your unit. Consult a qualified tradesperson if you are unsure.

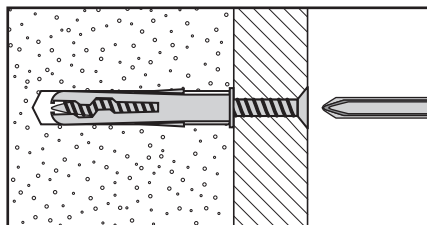
Hints:

- 1: General rule:**  Always use a larger screw and wall plug if you are not sure.
- 2:** Ensure you use the recommended drill bit to match the wall plug and hole size.
- 3:** Ensure you drill the hole horizontally, do not force the drill or enlarge the hole.
- 4:** Take extra care when drilling high walls, ceilings and ceramic tiles. Ensure wall plugs are inserted beyond the thickness of the ceramic tiles to avoid the tiles splitting or cracking.
- 5:** Ensure wall plugs are well fitted and are a tight fit in the drilled hole.

Types of walls

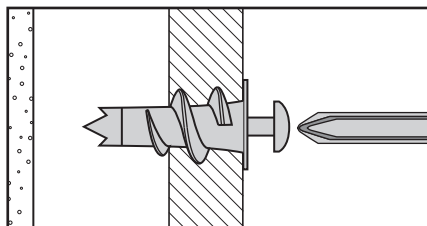
You can use one of the following types of wall plug if your walls are made of brick, breeze block, concrete, stone or wood.

No.1 "General Purpose" wall plug



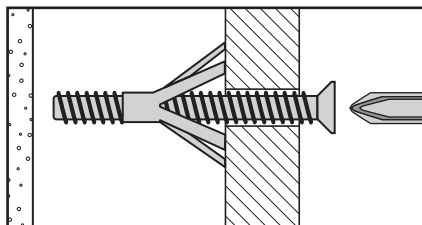
Generally aerated blocks should not be used to support heavy loads, use a specialist fitting in this case. For light loads, general purpose wall plugs can be used.

No.2 "Plasterboard" wall plug



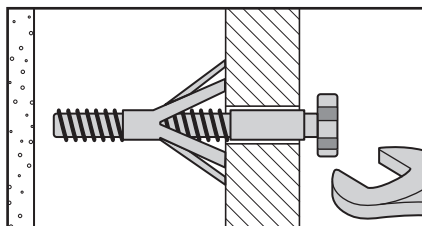
For use when attaching light loads on to plasterboard partitions.

No.3 "Cavity Fixing" wall plug



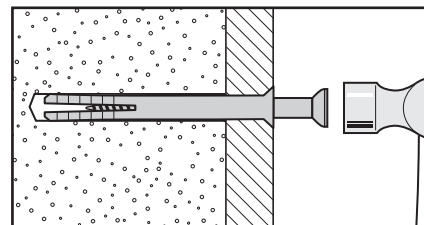
For use with plasterboard partitions or hollow wooden doors.

No.4 "Cavity Fixing-Heavy Duty" wall plug



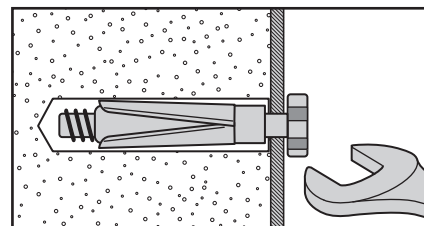
For use when fitting or supporting heavy loads such as shelving, wall cabinets and coat racks.

No.5 "Hammer Fixing" wall plug



For use with walls stuck with plasterboard. The hammer fixing allows it to be fixed to the wall rather than the plasterboard. Always check the fixing is secure to the retaining wall.

No.6 "Shield Anchor" wall plug Heavy loads



For use with heavier loads such as TV & HiFi speakers and satellite dishes etc.



Care & Maintenance

Safety: Always check the fitting and location to ensure your safety in and around the home.

Fitting: From time to time check the fitting to ensure the wall plugs or screws do not become loose.