

- A. Control panel with LED lights
- B. Shelves
- C. Level covering fruit and vegetable drawer
- D. Fruit and vegetable drawer
- E. Rating plate (placed on the side of the fruit and vegetable drawer)
- F. Freezer compartment
- G and H. Door shelves
- I. Bottle holder (if provided)
- L. Bottle shelf

- Least cold zone
- Medium zone
- Coldest zone
- Fruit & vegetable zone

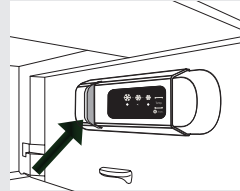
Note: All of the drawers, door shelves and shelves can be removed.

The ideal food storage temperatures are already factory-set.

Read the instructions carefully before using the appliance.
Features, technical data and images may vary according to the model.

LED Light

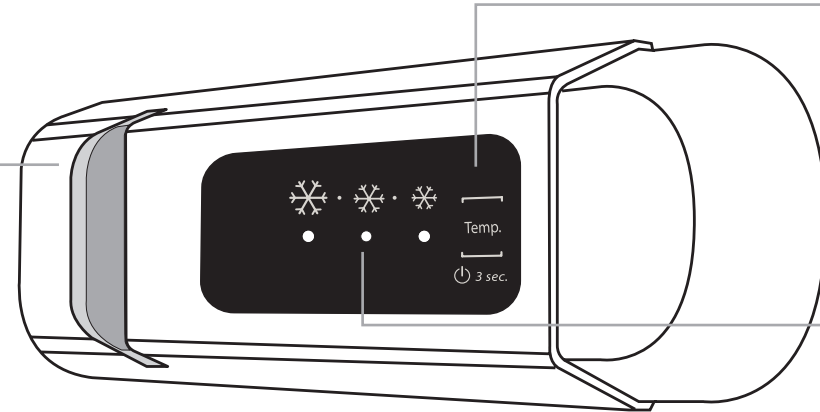
Compared to traditional light bulbs, LEDs last longer, improve internal visibility and are environmentally-friendly. Contact the Technical Assistance Service if you need a replacement.



Freezing fresh food (if the refrigerator has a freezer)

Arrange the fresh food to be frozen directly on the bottom of the compartment. The freezing will be complete after 24 hours.

The appliance is able to rapidly reach the optimal storage conditions in terms of the internal temperature.



On/Stand-by

Press the **"Temp."** button for 3 seconds to turn off the appliance (the control panel and light will stay turned off). Press it briefly to turn it back on.

Note: this procedure does not disconnect the appliance from the electricity supply

Refrigerator compartment temperature

The three lights indicate the temperature set in the refrigerator compartment. It is possible to set a different temperature with the **"Temp."** button.

The possible controls are as follows:

LEDs turned on	Temperature set
	High (least cold)
	Medium-high
	Medium
	Medium-low
	Low (coldest)

What to do if...	Possible reasons:	Solutions:
The control panel is off, the appliance is not working.	There may be a problem with the power supply to the appliance.	Check that: - there is no power outage - the plug is properly inserted in the socket and any bipolar power switch is in the correct position (this enables the power supply to the appliance) - the protective relays for the electrical system for the house are working - the power cable is not broken. Turn the appliance on by briefly pressing the "Temp" button (see On/Stand-by function).
The inside light does not work.	The appliance may be in Stand-by mode. It may be necessary to replace the light. Technical component malfunction.	Contact an authorized Service Centre.
The internal light is flashing.	Door alarm active. Activates when the door to the refrigerator compartment stays open for a long time.	To stop it, close the refrigerator door. When re-opening the door, check the light function.
The internal temperature of the compartments is not cold enough.	There are various possible causes (see the "Solutions" column).	Check that: - the doors are closed properly - the appliance is not installed near a heat source - the set temperature is adequate - the circulation of air through the ventilation grilles on the base of the appliance is not obstructed (see installation manual).
There is water on the bottom of the refrigerator compartment.	The defrosting water drain is blocked.	Clean the defrosting water drain (see section "Maintaining and cleaning the appliance" in the instructions for use).
Excessive amount of frost in the freezer compartment.	The door to the freezer compartment is not closed properly.	- Check that there is nothing preventing the door from closing properly. - Defrost the freezer compartment. - Make sure the refrigerator has been correctly installed.
One or more of the green lights are flashing continuously.	Malfunction alarm. The alarm indicates the malfunction of a technical component.	Call the authorized Technical Assistance Service.
The temperature of the refrigerator compartment is too cold.	- The set temperature is too cold. - A large amount of fresh food may have been placed in the freezer compartment.	- Try to set a less cold temperature. - If fresh food has been put in the freezer compartment, wait until the freezing has been completed.

Note: some noises, such as gurgles and hissing, caused by the refrigeration system, are normal.