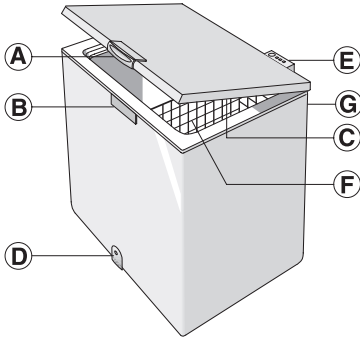


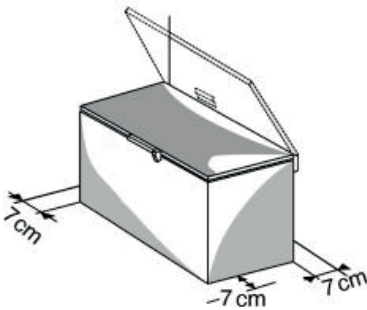
INSTRUCTIONS FOR USE



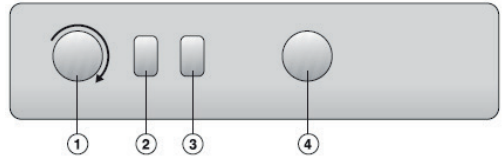
- A. Lid handle
- B. Lock (if provided)
- C. Seal
- D. Defrost water drain plug (if present)
- E. Control panel
- F. Basket (if present)
- G. Condenser (located at the rear)

INSTALLATION

- Please refer to the chapter “BEFORE USING THE APPLIANCE”.
- Unpack the appliance.
- Remove the 4 protection pieces inserted between lid and appliance.



- Ensure that the defrosting water drainage plug (if provided) is correctly positioned (4).
- For best operation of the appliance and in order to avoid damage when the lid is opened, leave a space of at least 7 cm from the rear wall and 7 cm at the sides.
- Fit the accessories (if provided).
- Clean the inside of the appliance before using it.



1. Thermostat: it can be used to adjust the internal temperature of the appliance.
2. Red LED (if provided): Indicates that the appliance temperature is not sufficiently low.
3. Green LED (if provided): indicates that the appliance is on.
4. Yellow/orange illuminated button (if provided): activates/deactivates the fast freeze function.

IMPORTANT: when using the product as a cooler please check that the fast freeze function is not activated in order to avoid bottle cracking.

The exact configuration of the controls may vary according to the model.

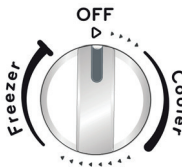
Switching on the appliance

- The appliance is factory set for optimum freezer operation at a temperature of -18°C .
- Plug in the appliance.
- The green LED lights up (if provided).
- Also the red LED (if provided) will switch on because the temperature inside the appliance is not yet sufficiently low for food storage. The red LED will normally switch off within the first six hours after the appliance is switched on.
- After connecting the appliance to the mains supply and when the optimal temperature has been reached, ensure that the fast freeze button is not pressed (the yellow LED, if provided, is off).
- Place food inside the product only when the red LED (if provided) has switched off.

Note: As the seal is tight, the appliance lid cannot be reopened immediately after closing. Wait a few minutes before re-opening the lid of the appliance.

Temperature Adjustment

Use the thermostat to select the ideal storage temperature. This product could be used both as freezer and as cooler.



- To use the product as freezer set thermostat in position “freezer”. In this case the product must be used to store frozen food, to freeze fresh food and to make ice.
Internal temperature could be set between -14°C and -22°C (depending on the environmental conditions, this

range may vary slightly)

- To use the product as cooler set thermostat in position "cooler". In this case the product must be used to store fresh food and beverages.

Internal temperature could be set between 0°C and +6°C (depending on the environmental conditions, this range may vary slightly)

- To turn off the product set thermostat in OFF position.

In this case the product is already connected to power supply.

IMPORTANT: when using the product as a cooler please check that the fast freeze function is not activated in order to avoid bottle cracking.

WHEN THE APPLIANCE IS NOT IN USE

Disconnect the appliance from the mains power supply, then empty, defrost (if necessary) and clean it. Leave the door open, so that air can circulate inside the compartments. This will prevent the formation of mould and bad odours and an oxidation (blackening) of internal walls.

COOLER USE



Before switching from freezer use to cooler use please:

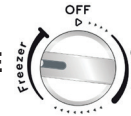
1. check that frozen food is not present inside the cavity to avoid unwanted food defrosting.
2. defrost and clean the product to avoid water stagnation on the bottom.

Note: In the case of high levels of humidity, it is possible that inside the appliance condensation may form on both the walls and the bottom of the compartment. This is absolutely natural and does not jeopardise the operation of the appliance in any way.

In this case, we recommend closing any liquid filled containers (e.g.: sauce pans full of stock), wrapping foods with a high liquid content (e.g.: vegetables).

IMPORTANT: when using the product as a cooler please check that the fast freeze function is not activated in order to avoid bottle cracking.

FREEZER USE



FROZEN FOOD STORAGE

Before putting frozen food inside the cavity please check that the product is set as freezer (see "Temperature adjustment" paragraph) and red light doesn't light up.

BEFORE SWITCHING FROM COOLER USE TO FREEZER USE PLEASE CHECK THAT FOOD OR BOTTLES ARE NOT PRESENT INSIDE THE CAVITY TO AVOID UNWANTED FOOD FROSTING OR BOTTLE CRACKING.

Refer to the table on the appliance (if provided).
Classification of frozen foods

1-3



4-7



8-12



Put the frozen products into the appliance and classify them; the storage date should be indicated on the packs, to allow use within expiry dates.

Advice for storing frozen food

When purchasing frozen food products:

- Ensure that the packaging is not damaged (frozen food in damaged packaging may have deteriorated). If the package is swollen or has damp patches, it may not have been stored under optimal conditions and defrosting may have already begun.
- When shopping, leave frozen food purchases until last and transport the products in a thermally insulated cool bag.
- Once at home, place the frozen foods immediately in the appliance.
- Avoid, or reduce temperature variations to the minimum. Respect the best-before date on the package.
- Always observe the storage information on the package.

Note:

Eat fully or partially defrosted foods immediately.

Do not refreeze unless the food is cooked after it has thawed. Once cooked, the thawed food can be refrozen.

If there is a long power failure:

- **Do not open the appliance lid except to place ice packs (if provided) over the frozen foods on the right and left of the appliance. This will slow down the rise in temperature.**

FREEZING FOOD

Before freezing food inside the cavity please check that the product is set as freezer (see "Temperature adjustment" paragraph) and red light doesn't light up.

Preparation of fresh food for freezing

- Before freezing, wrap and seal fresh food in: aluminium foil, cling film, air and water-tight plastic bags, polyethylene containers with lids, provided they are suitable for freezing foods.
- Food must be fresh, mature and of prime quality in order to obtain high quality frozen food.
- Fresh vegetables and fruit should preferably be frozen as soon as they are picked to maintain the full original nutritional value, consistency, colour and flavour.
- Always leave hot food to cool before placing in the appliance.

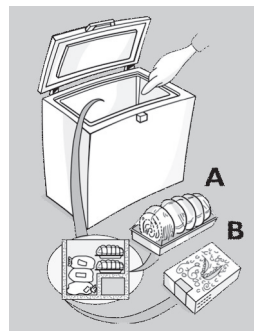
Freezing fresh food

- Place foods to be frozen in direct contact with the walls of appliance:

A. foods to be frozen,

B. foods already frozen.

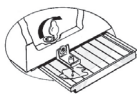
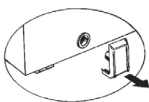
- Avoid placing foods to be frozen in direct contact with food already frozen.
 - For best and fastest freezing, foods should be split into small portions; this will also be useful when the frozen items are to be used.
1. At least 24 hours before storing fresh food in the appliance, press the fast freeze button.
 2. Place the food to be frozen and keep the lid of the appliance closed for 24 hours. The fast freeze function automatically deactivates after about 50 hours.



DEFROSTING THE APPLIANCE

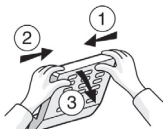
The appliance should be defrosted when the thickness of ice on the walls reaches 5-6 mm.

- Disconnect the appliance from the mains power supply.
- Remove the packs of food from the appliance and wrap them close together in newspaper and store in a very cool place or thermally insulated bag.
- Leave the appliance lid open.
- Remove the internal defrost water drain plug (depending on model).
- Remove the external defrost water drain plug (depending on model) and reposition it as shown in the figure.
- Place a bowl beneath the drainage channel to collect the residual water. If available, use the divider.
- Speed up defrosting by using a spatula to detach the ice from the appliance walls.
- Remove the ice from the bottom of the appliance.
- In order to avoid permanent damage to the appliance interior, do not use pointed or sharp metal instruments for removing the ice.
- Do not use abrasive products or heat up the interior artificially.
- Dry the interior of the appliance thoroughly.
- On completion of the defrosting, refit the plug.



CHANGING THE LID LIGHT BULB (if provided)

- Disconnect the appliance from the mains power supply.
- Remove the diffuser by following the sequence of steps shown in the figure.
- Unscrew the light bulb and replace it with an identical bulb of the same wattage and voltage.
- Refit the diffuser and plug in the appliance.



AFTER-SALES SERVICE

Before contacting After-Sales Service:

1. See if you can solve the problem yourself.
2. Switch the appliance on again to see if the problem has been solved. If it has not, disconnect the appliance from the power supply and wait for about an hour before switching on again.
3. If the problem persists after this course of action, contact After-Sales Service.

TROUBLESHOOTING GUIDE

1. The red LED (if provided) remains alight.

- Is there a power failure?
- Is defrosting in progress?
- Is the appliance lid properly closed?
- Is the appliance positioned near a heat source?
- Is the thermostat setting correct?
- Are the ventilation grille and condenser clean?

2. The appliance is too noisy.

- Is the appliance perfectly horizontal?
- Is the appliance in contact with other furniture or objects that may cause vibrations?
- Has the packaging been removed from under the appliance?

Note: gurgling noises from the refrigerating circuit after the compressor cuts out are perfectly normal.

3. The green LED (if provided) is off and the appliance is not working.

- Is there a power failure?
- Is the plug properly inserted in the socket?
- Is the electric cable intact?

4. The green LED (if provided) is off and the appliance is working.

- The green LED is not working. Contact the After Sales Service for a replacement.

5. The compressor runs continuously.

- Have hot foods been put in the appliance?
- Has the appliance lid been left open for a long time?
- Is the appliance positioned in a very warm room or near heat sources?
- Is the thermostat setting correct?

- Has the fast freeze function (depending on model) been pressed by mistake?
- 6. Too much ice on the upper edge.**
- Are the defrost water drainage plugs correctly positioned?
 - Is the appliance lid properly closed?
 - Is the appliance lid seal damaged or deformed? (See chapter "Installation")
 - Have the 4 protection pieces been removed? (See chapter "Installation")

7. Condensation forms on the external walls of the appliance

- It is normal for condensation to form under certain atmospheric conditions (humidity above 85%) or if the appliance is located in a damp or poorly ventilated room. The performance of the appliance is in no way affected.
- 8. The layer of ice on the internal walls of the appliance is not uniform.**
- This phenomenon is quite normal.

AFTER-SALES SERVICE

Before contacting After-Sales Service:

1. See if you can solve the problem yourself.
2. Switch the appliance on again to see if the problem has been solved. If it has not, disconnect the appliance from the power supply and wait for about an hour before switching on again.
3. If the problem persists after this course of action, contact After Sales Service.

Specify:

- the nature of the fault,
- the model,
- the service number (the number after the word SERVICE on the rating plate on the rear of the appliance)
- your full address,
- your telephone number and area code.

SERVICE 0000 000 00000



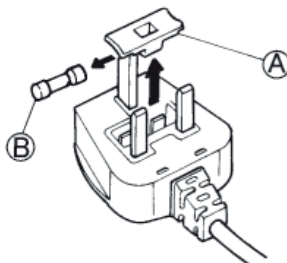
ELECTRICAL CONNECTION FOR GREAT BRITAIN AND IRELAND ONLY

Warning – this appliance must be earthed.

Fuse replacement

If the mains lead of this appliance is fitted with a BS 1363A 13amp fused plug, to change a fuse in this type of plug use an A.S.T.A. approved fuse to BS 1362 type and proceed as follows:

1. Remove the fuse cover (A) and fuse (B).
2. Fit replacement 13A fuse into fuse cover.
3. Refit both into plug.



Important:

The fuse cover must be refitted when changing a fuse and if the fuse cover is lost the plug must not be used until a correct replacement is fitted. Correct replacement are identified by the colour insert or the colour embossed in words on the base of the plug. Replacement fuse covers are available from your local electrical store.

For the Republic of Ireland only

The information given in respect of Great Britain will frequently apply, but a third type of plug and socket is also used, the 2-pin, side earth type.

Socket outlet / plug (valid for both countries)

If the fitted plug is not suitable for your socket outlet, please contact After-sales Service for further instruction. Please do not attempt to change plug yourself. This procedure needs to be carried out by a qualified technician in compliance with the manufactures instructions and current standard safety regulations.



400011227342