



# Meaco Platinum Range Instruction Manual



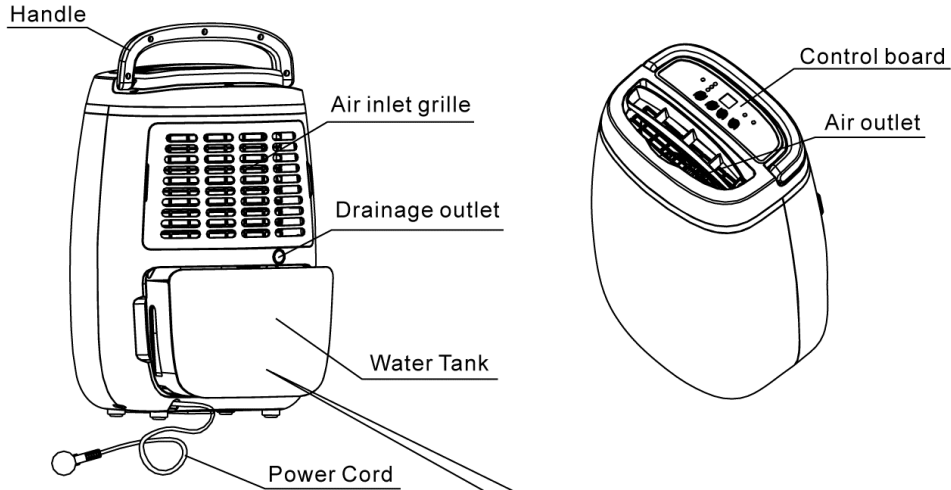
## Meaco 12L and 20L Low Energy Dehumidifiers

Please read this instruction manual before using the dehumidifier and keep safe for future reference.

Thank you for choosing Meaco, we really appreciate it

# Meaco 12L Low Energy Dehumidifier

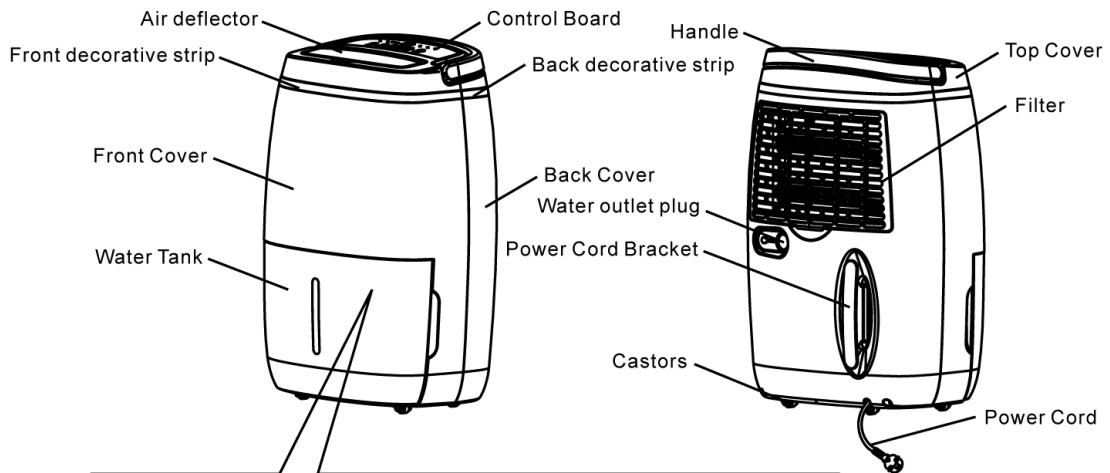
## Parts List



There maybe a little bit residual water in the new unit, that is because of performance test before selling, not malfunction or disqualification.

# Meaco 20L Low Energy Dehumidifier

## Parts List



There maybe a little bit residual water in the new unit, that is because of performance test before selling, not malfunction or disqualification.

No drainage hose comes with either dehumidifier because the majority of customers do not need a hose and it is just one more thing that ends up in landfill.

## **SAFETY INSTRUCTIONS FOR BOTH MODELS**

**PLEASE READ ALL INSTRUCTIONS CAREFULLY BEFORE OPERATING AND KEEP IN A SAFE PLACE FOR FUTURE REFERENCE.**

**When using electrical appliances, basic safety precautions should always be followed.**

**WARNING** - This appliance is intended for use in a domestic environment only. Any other use is not recommended by the manufacturer and may cause fire, electrical shocks or other injury to person or property.

1. Do not operate the unit with a damaged mains lead, a damaged plug, after it malfunctions, has been dropped or damaged in any way. If any of these happen then return it to an authorised service facility for examination and repair.
2. This dehumidifier should always be kept in an upright position to avoid any damage. Locate the unit on a flat stable surface to reduce vibration and to avoid water leakage.
3. Check the household voltage to ensure it matches the units rated specification before operating.
4. Operate this unit in an ambient temperature between 5°C and 35°C.
5. Ensure that the air inlets and outlets are not blocked or covered.
6. Do not place the unit too close to curtains or other objects - min 50cm.
7. When using the dehumidifier to speed up the drying of wet clothes in the room, keep the clothing at a safe distance from the unit to prevent water from dropping onto the unit or the clothes from blocking the air flow in or out of the dehumidifier.
8. Never place anything on top of the unit and do not cover with any kind of material while in use.
9. This product is intended for domestic and light office use ONLY and not for commercial, industrial or outdoor use.
10. To protect against electrical shocks, do not immerse unit, plug or cord in water, or spray with liquids.
11. Never unplug the dehumidifier without pressing the "ON/OFF" button first, as this could damage the unit.
12. Always unplug the unit when not in use or moving location. To disconnect from the power supply, grip the plug and pull from the power socket. Never pull by the mains lead.
13. Always empty the water tank before storing the unit away.
14. Close supervision is necessary when any appliance is used by or near children and pets.
15. This appliance can be used by children aged from 8 years and above and persons with reduced physical, sensory or mental capabilities or lack of experience and knowledge if they have been given supervision or instruction concerning use of the appliance in a safe way and understand the hazards involved.
16. Do not run the power cord under carpeting, or cover with rugs or runners. Arrange the mains lead away from areas where it may be tripped over.
17. Never operate or store the unit in direct sunlight.
18. To repair the unit, take it to a qualified service engineer. Repairs carried out by unqualified people may cause damage to the unit or injury to persons or property and void the warranty.
19. Where possible, avoid the use of an extension cable as they may overheat and cause a risk of fire. Only use an extension cord after ensuring it is in perfect condition.
- 20. Do not use the unit without the air filter, to prolong the life of the dehumidifier we recommend using the optional HEPA filter. To avoid issues please clean the filter at least every couple of weeks**

## BS PLUG WIRING FOR UK MODELS

**Wiring Instructions:** Should it be necessary to change the plug please note the wires in the mains lead are coloured in accordance with the following code:

BLUE - NEUTRAL

BROWN - LIVE

GREEN AND YELLOW – EARTH

As the colours of the wires in the mains lead of this appliance may not correspond with the coloured markings identifying the terminals in your plug, proceed as follows:

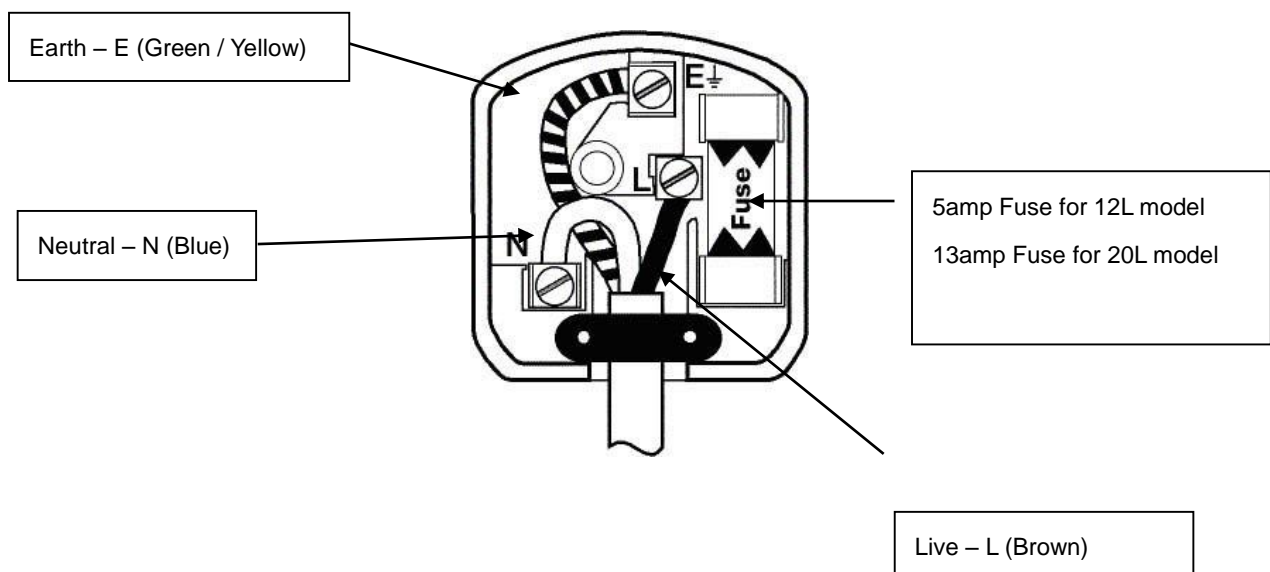
1. The **BLUE** wire is the **NEUTRAL** and must be connected to the terminal which is marked with the letter **N** or coloured **BLACK**.
2. The **BROWN** wire is the **LIVE** and must be connected to the terminal which is marked with the letter **L** or coloured **RED**.
3. The **GREEN/YELLOW** is the **EARTH** and must be connected to the terminal which is marked with the letter **E** or coloured **GREEN OR GREEN/YELLOW**.
4. Always ensure that the cord grip is positioned and fastened correctly.

**(12L Model)** If a 5A (BS 1363) fused plug is used it must be fitted with a 5A fuse. If in doubt consult a qualified electrician.

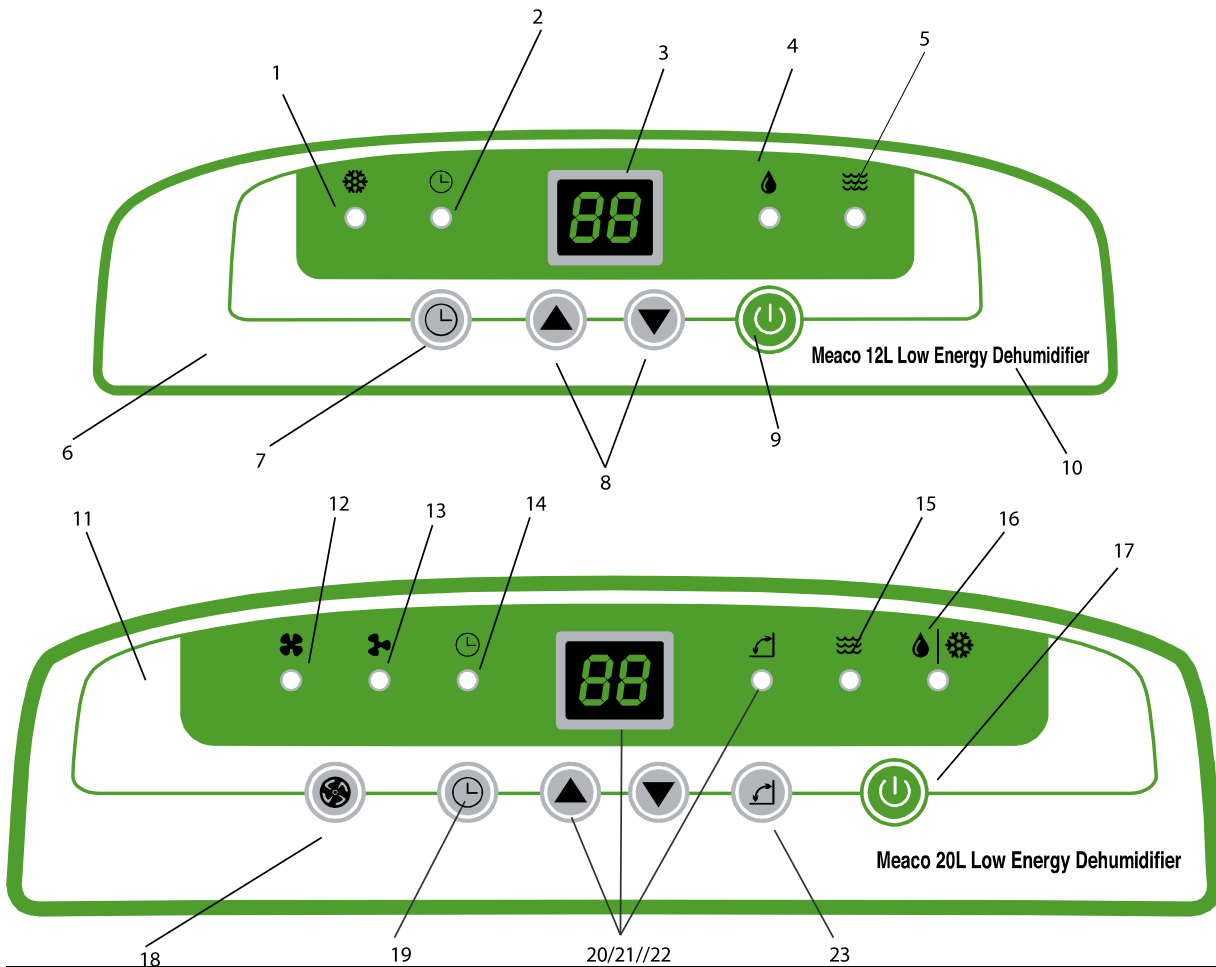
**(20L Model)** If a 13A (BS 1363) fused plug is used it must be fitted with a 13A fuse. If in doubt consult a qualified electrician.

Wiring for a 5 or 13Amp Plug (BS1363)

Please note. The Earth Terminal is marked with the letter **E** or Earth Symbol.



# THE CONTROL PANEL



| Meaco 12L Control Panel   |   | Meaco 20L Control Panel |   |
|---|---|-------------------------|---|
| 1   | Defrost light   | 11                      | Control panel sticker   |
| 2   | Timer light   | 12                      | High fan speed  |
| 3   | Humidity reading/timer display  | 13                      | Low fan speed   |
| 4   | Dehumidification light  | 14                      | Timer light   |
| 5   | Water bucket full light   | 15                      | Water bucket full light   |
| 6   | Control panel sticker   | 16                      | Dehumidification light/defrost light  |
| 7   | Timer button  | 17                      | Power On/Off button   |
| 8   | Up and down arrow to change relative humidity set point and timer off setting | 18                      | Fan speed button  |
| 9   | Power On/Off button   | 19                      | Timer button  |
| 10  | Model number  | 20                      | Up and down arrow to change relative humidity set point and timer off setting |
| Pressing and holding down the Up and Down buttons at the same time on either model will activate the Child Lock and the buttons on the control panel will freeze up. Repeat to reverse the process. |   | 21                      | Humidity reading/timer display/Air Purification function                      |
|   |   | 22                      | Louvre light  |
|   |   | 23                      | Louvre on/off light   |

## How to use your dehumidifier

- Plug the dehumidifier in and press the **On/Off** button
- Select your target relative humidity in steps of 5%rh by using the **up and down arrows** (we recommend 55%rh for the home). Once this is set **the display returns to displaying the room relative humidity**.
- Press the UP button **one press at a time** through the settings  
AP-CO-30-35-40-45-50-55-60-65-70-75-80%rh
- Press the DOWN button **one press at a time** through the settings 80-75-70-65-60-55-50-45-40-35-30-CO-AP
- **CO** stands for continuous and will never turn off (apart from when the bucket is full)
- **AP** stands for air purification and this should only be used when a HEPA filter is fitted. No water is collected in this mode and only the fan functions to clean the air through the HEPA filter.
- On the 20L you can select your **fan speed**
- On the 20L you can also turn the **louvre on or off** by pressing the louvre button.
- On the 12L you can manually adjust the louvre to the correct angle

## Other functions of the control panel

- When the tank is full the dehumidifier will stop working, and the **bucket full light** will flash.
- There is an **off timer** which allows you to run the dehumidifier for a set number of hours before it turns itself off. Use this mode when you are drying washing and want to turn the machine off after say two hours of high speed drying.
- Below around 16°C the **defrost light** will come on intermittently to indicate that the dehumidifier is in defrost mode. On the 20L the defrost light is shared between defrost and drying and flashes to indicate defrost mode.
- On both models the **droplet indicator** stays on permanently, even when the dehumidifier is in sleep mode, and only changes when the 20L goes into defrost mode.
- Press the Up and Down arrows at the same time to activate the **Child Lock**. Repeat the process to turn the Child Lock off.

## Meaco Control Logic

When the room relative humidity is 3%rh below your target relative humidity the dehumidifier will stop drying the air but the fan will continue to run for 10 minutes. If the relative humidity is stable then the dehumidifier goes to sleep for 30 minutes.

*During this sleep time the humidity reading on the display will probably increase well above the set point. This is because the fan is turned off and the sensor is now reading the relative humidity inside the dehumidifier where it is cold and wet. This is normal and the machine will not turn back on because this is the reading inside the dehumidifier and not the room reading.*

After 30 minutes the dehumidifier will wake up and sample the air with just the fan running for 2 minutes so that the relative humidity sensor can tell the control panel what the room relative humidity is, if the relative humidity is 3%rh above the set point then it will start to dehumidify again, if not then the fan will go to sleep again for another 30 minutes.

## Drying Laundry

To speed up the drying of laundry we recommend selecting the lowest possible relative humidity (30%rh) or continuous operation (CO) and the maximum fan speed. Use the louvre to point the dry air at the washing whilst making sure that the water from the laundry does not drip onto or into the dehumidifier. Placing the washing and the laundry into a small room, with the heating on and using additional fans will speed up the whole process.

**To avoid issues please clean the filter at least every couple of weeks.**

## Getting the best from your dehumidifier

We have a huge amount of experience in getting the best out of dehumidifiers and solving condensation, damp and mould problems. You will find hundreds of articles on our blog at [www.meaco.com](http://www.meaco.com), we recommend looking through the advice section or using the search feature.

Alternatively just pick up the phone and call us on 01483 234900 and we will be happy to help you.

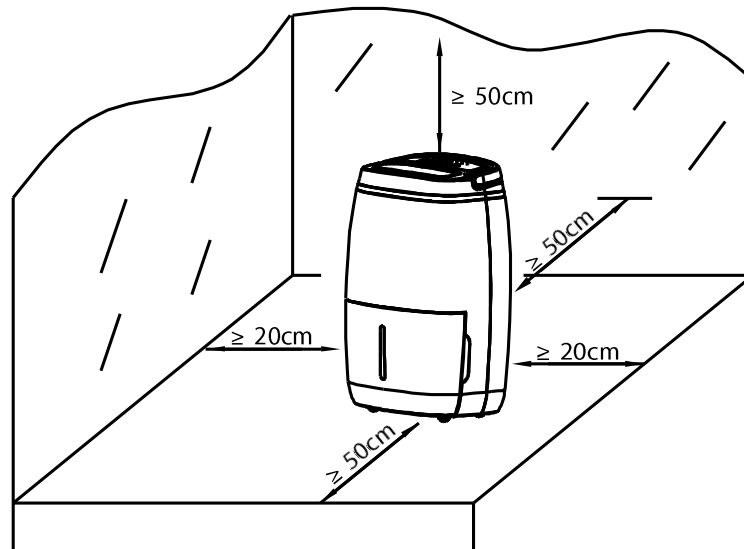
## Amount of water collected at different temperatures and relative humidities


Like all compressor dehumidifiers the amount of water collected does vary depending on the room temperature and relative humidity, below gives you a guide and more detailed data is available at [www.meaco.com](http://www.meaco.com).

### How much water to expect and at what cost

|                 | Meaco12L Platinum    |           | Meaco20L Platinum    |           |
|-----------------|----------------------|-----------|----------------------|-----------|
| Room conditions | Max water extraction | Wattage   | Max water extraction | Wattage   |
| 10°C and 80%rh  | 2.9 litres per day   | 121 watts | 5 litres per day     | 192 watts |
| 20°C and 80%rh  | 6.72 litres per day  | 144 watts | 12 litres per day    | 231 watts |
| 30°C and 80%rh  | 12 litres per day    | 180 watts | 20 litres per day    | 296 watts |
| 10°C and 60%rh  | 1.08 litres per day  | 118 watts | 2 litres per day     | 185 watts |
| 20°C and 60%rh  | 3.72 litres per day  | 136 watts | 5 litres per day     | 219 watts |
| 30°C and 60%rh  | 6.58 litres per day  | 166 watts | 13.2 litres per day  | 272 watts |

## DEHUMIDIFIER SETUP AND USE



- Place the dehumidifier in an upright position on a stable, flat surface.
- Please ensure the unit is a safe distance away from a wall or furniture.
- Please keep clothes at a safe distance of 50cm away from the air inlet or outlet to prevent water from dripping into the unit.
- Ensure the tank is correctly fitted, if the tank is full or is not in place, the “Empty Tank”  light comes on and the dehumidifier will turn off.
- Press the On/Off button.
- Select the relative humidity value that you want to use the dehumidifier in, for most applications this will be the 55%rh. For more detail refer to page six.
- To turn off press the On/Off button again.

### Variable amount of water collected

- When you first use your dehumidifier it will work harder to reduce the room humidity down to your preferred target (say 55%rh). This is the time when it will produce the most water and need emptying most frequently. As the room becomes dryer the dehumidifier collects less water and takes longer to fill the tank, this is perfectly normal. When the target relative humidity has been reached the dehumidifier will stop collecting water, again this is normal.
- If you find that you still have condensation on your windows or you need to dry the air further then use a lower relative humidity setting (40 or 45%rh). This might well be necessary if you have single glazed windows or if the outside air temperature drops towards freezing.

### ATTENTION !

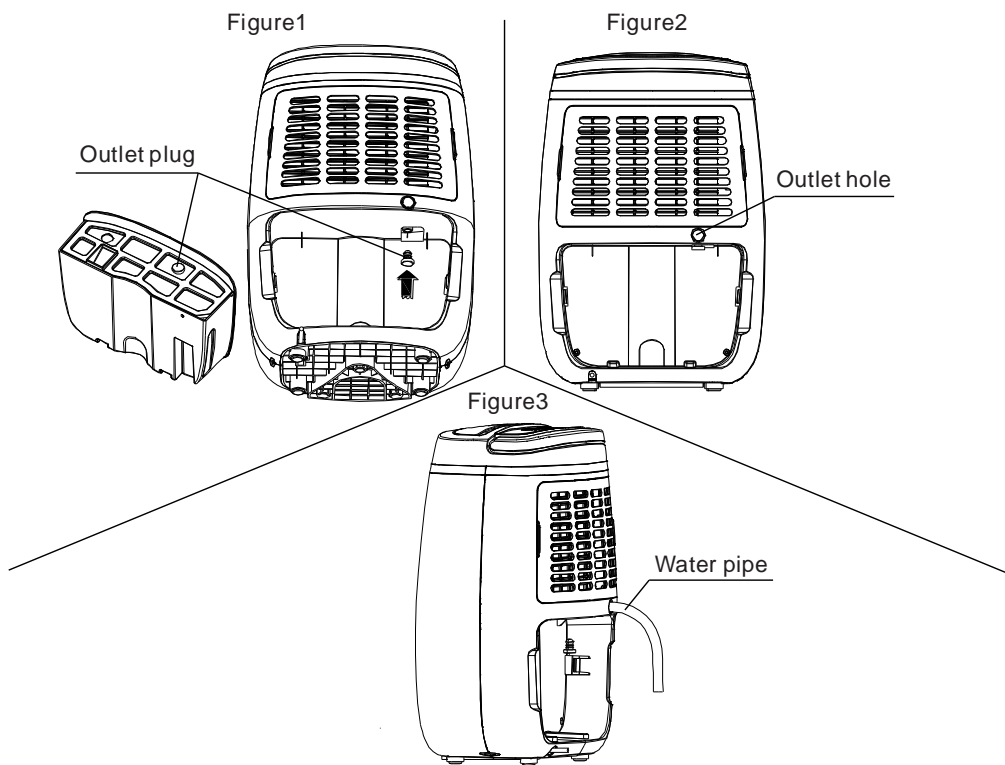
- Never use the device with a damaged power cord, plug, cabinet or control panel. Never trap the power cord or allow it to come into contact with sharp edges.
- Failing to follow the instructions may lead to the guarantee becoming void.





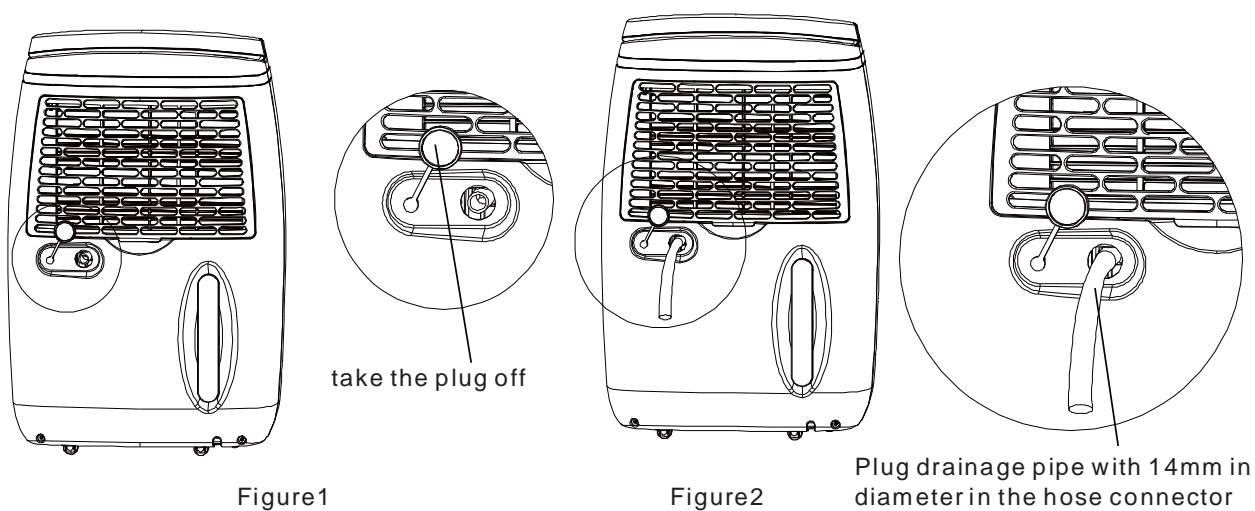
# CONTINUOUS DRAINAGE

## Meaco 12L Low Energy Dehumidifier



*Put the tank back in once the hose has been fitted, British garden hose can be used to drain the water, no hose comes with either dehumidifier.*

## Meaco 20L Low Energy Dehumidifier



Always make sure that the hose is going downhill, is not blocked or kinked.

## CLEANING

Switch the dehumidifier off and remove the plug from the socket before cleaning.

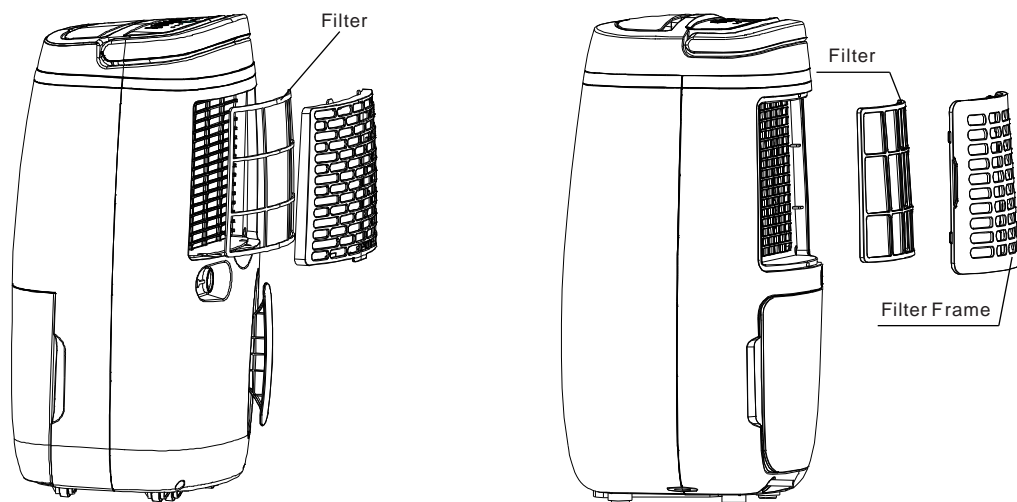
### The exterior

Clean the exterior with a soft, dry cloth. If the device is extremely dirty, use a mild cleaning agent. Wipe the dehumidifier with a slightly damp cloth. Never spray the device with water.

### The air filter

When used regularly, the filter may become clogged with dust and particles. Therefore the filter should be cleaned at least every two weeks. Follow these steps:

1. Remove the filter.
2. Clean the filter with a vacuum cleaner or soapy water no hotter than 40°C. Rinse and dry completely before inserting back into the dehumidifier.



The standard dust filter can be replaced by a HEPA filter for better air cleaning and to remove more particles from the air. If you use a HEPA filter then leave the standard filter in place and it then becomes a pre-filter for extra air cleaning.



**Never use the device without the air filter.**

## STORAGE

If the machine will not be used for a long period of time, take the following steps:

1. Remove the plug from the socket and empty the container. Allow the container and the dehumidifier to dry completely, this can take a couple of days.
2. Clean the air filter.
3. Store the device in a dust-free location away from direct sunlight, preferably covered with a sheet of plastic.

## TROUBLESHOOTING

Check the following before contacting technical support:

| Problem   | Cause   | Solution  |
|---|---|---|
| The unit does not work.   | The power is not connected.   | Insert the plug into the wall outlet.   |
| The device does not dehumidify.   | The water container is full.  | Remove the water from the container.  |
|   | The water container has not been replaced correctly.  | Place the water container in the correct position.  |
|   | The air filter is clogged.  | Clean the air filter.   |
|   | The temperature or relative humidity in the room where the device is operating is too low.  | It is normal that the device does not dehumidify in these conditions.   |
|   | Unit is in AP (Air Purification Mode)   | Change from AP mode to one of the air purification modes.   |
| The dehumidifier works, but reduces the relative humidity insufficiently/there is little water in the water tank. | The house is too large. This dehumidifier can dry up to about a three/five bedroom house (12/20L).  | We recommend using a dehumidifier with a greater capacity.  |
|   | There are too many sources of moisture. Bathing, washing, drying clothes and cooking all puts moisture into the air. Bottled gas heating can add too much moisture into the air for a dehumidifier. | We recommend using a dehumidifier with a greater capacity. Consider using a different heat source to a bottled gas heater.                          |
|   | There is too much ventilation.  | Reduce ventilation (e.g. close windows and shut doors.)   |
|   | The air filter is blocked and the reduce air flow is effecting performance.   | Clean the air filter.   |
| The windows were clear and now condensation has returned.   | The outside air temperature has dropped and the windows are colder.   | Use the dehumidifier on a lower relative humidity setting and run it 24 hours a day.  |
| I cannot remove the condensation from my windows, even in continuous mode.  | The surface temperature of the windows is too low for a dehumidifier to prevent condensation. Common with single glazed windows and when the outside air temperature drops below freezing.          | Keep running the dehumidifier on continuous 24 hours a day and when the air temperature outside increases the windows should clear of condensation. |
| Dehumidifier is blowing out warm air.   | The dried air is passed over heating coils before it is blown into the room as part of the dehumidification process.  | This is normal, a dehumidifier is not an air cooler.  |
| Dehumidifier is blowing out cold air  | The dehumidifier does not cool the air, the air might feel cooler because it is moving in the same way as the air from a fan in summer feels cooler.  | The room temperature will not be reduced by the dehumidifier and it is not cooling the air.   |

|   |   |  |
|---|---|--|
| The display is not showing the humidity set point.              | The display shows the room relative humidity not the set point.   | Press the up or down buttons once to see the target relative humidity.   |
| I cannot change the set point, I get stuck on CO.               | You have been pressing the up or down button and have reached CO. | Press the opposite button to cycle in the other direction through the humidity options.  |
| I keep my finger on the buttons but the display does not change | The buttons only move one step at a time.                         | Press the button and then lift your finger and press the button again to move through the settings.                                  |
| The dehumidifier is noisy.                                      | The air filter is blocked or the unit is on an uneven surface.    | Clean the filter and or put the dehumidifier on a flat surface. A dehumidifier will also be noisier on wooden floors than on carpet. |

### Display Error Codes

| Displayed Code    | E1   | E2  |
|-------------------|--|---|
| Error             | Coil temperature error                             | Humidity sensor broken                                |
| Display           | Flashes every 30 seconds                           | Flashes every 30 seconds                              |
| What is happening | Unit stills dehumidifies but in defrost mode only. | Units still dehumidifies but in continuous mode only. |

If you get these or any other strange characters on the display then just call the office on 01483 234900 or your local dealer, some faults can be fixed over the phone.

**To avoid issues please clean the filter at least every couple of weeks.**

## CONDITIONS OF WARRANTY

There is a two year warranty on your dehumidifier from the date of purchase. All material or manufacturing defects will be repaired free of charge.

The following applies:

- Any repairs or replacement of components during the warranty period will be not result in an extension of the warranty period.
- The warranty will expire if any alterations have been made, not genuine components have been fitted or if the dehumidifier has been repaired by a third party.
- Components subject to normal wear and tear, such as the air filter, are not covered by the warranty.
- The warranty is only valid on presentation of the original, unaltered, and date-stamped purchase receipt.
- The warranty does not cover damage caused by actions that deviate from those as described in the user's manual or by neglect.
- The warranty does not include cleaning of excessive dirt or damage to components caused by the unit being clogged.
- All claims for compensation, including consequential damage, will not be entertained.

To prevent unnecessary expenses, we recommend that you always carefully read the user's manual first. If this does not provide a solution, call Meaco and we will be happy to help.

This appliance is not intended for use by person (including children) with reduced physical, sensory or mental capabilities, or lack of experience and knowledge, unless they have been given supervision or instruction concerning use of the appliance by a person responsible for their safety.

Children should be supervised to ensure that they do not play with the appliance.

You can extend your warranty from the standard two years up to a maximum of five years at any time in the first year of ownership by visiting [www.meaco.com](http://www.meaco.com).

## TECHNICAL SPECIFICATIONS

|                                     | <b>Meaco 12L Low Energy Dehumidifier</b> | <b>Meaco 20L Low Energy Dehumidifier</b> |
|-------------------------------------|--|--|
| Extraction Rate at 30°C and 80%rh   | 12 litres per day                        | 20 litres per day                        |
| Extraction Rate at 26.7°C and 60%rh | 6.5 litres per day                       | 11.5 litres per day                      |
| Digital display                     | Yes                                      |  |
| Variable humidistat                 | Yes                                      |  |
| Meaco Control logic                 | Yes                                      |  |
| Louvre                              | Yes – manual                             | Yes – automatic                          |
| Air flow (nominal)                  | 100m <sup>3</sup> /hour                  | 160m <sup>3</sup> /hour                  |
| Auto-restart                        | Yes                                      |  |
| Filter                              | Yes (Optional HEPA filter)               |  |
| Noise level at one metre            | Maximum 44dB(A)                          | Maximum 46dB(A)                          |
| Power supply                        | 230V, 50Hz                               |  |
| Power consumption                   | 165W                                     | 255W                                     |
| Fan speeds                          | One                                      | Two                                      |
| Operating temperatures              | 5.....35°C                               |  |
| Refrigerant                         | R134a                                    |  |
| Compressor type                     | Rotary                                   |  |
| Tank                                | 2.5 litres                               | 6 litres                                 |
| Dimensions (HWD)                    | 475 x 325 x 248mm                        | 595 x 385 x 290mm                        |
| Weight                              | 9.8Kgs                                   | 13.6Kgs                                  |



This marking indicates that this product should not be disposed with other household wastes throughout the EU. To prevent possible harm to the environment or human health from uncontrolled waste disposal, recycle it responsibly to promote the sustainable reuse of material resources. To return your used device, please use the return and collection systems or contact the retailer where the product was purchased. They can take this product for environmental safe recycling.



## CUSTOMER SERVICE

This dehumidifier has been imported into the U.K. by;

Meaco (U.K.) Limited

Meaco House

Parklands

Railton Road

Guildford

GU2 9JX

Telephone: 01483 234900 / 0500 418458

Email: sales@meaco.com

Website: www.meaco.com

Fax: 01483 232700

Please record, for future reference, your date of purchase and where you bought the dehumidifier from here.

Date of purchase.....

Purchased from www.meaco.com (if not then please record the supplier's name below).

.....

Meaco are specialists in dehumidifiers and would welcome your comments and questions on this dehumidifier. If you do develop a fault within the first year then please do call us and if we cannot fix the problem over the phone we will be happy to collect the dehumidifier from you at our expense and repair or replace as appropriate.

Please save the box just in case this happens.