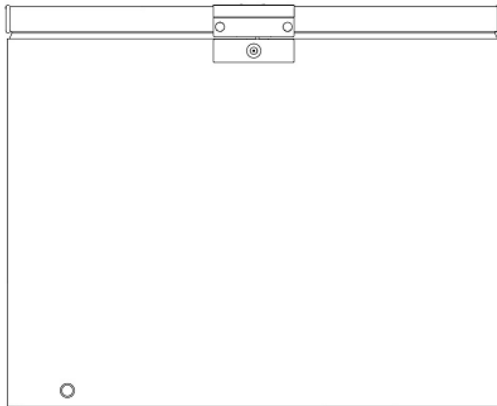




USER MANUAL
CHEST FREEZER



SUMMARY

SAFETY INFORMATION	3
CHEST FREEZER HOOVER.....	10
Climate Class	10
TRANSPORTATION INSTRUCTIONS.....	10
INSTALLATION INSTRUCTIONS	11
STARTING TO USE.....	11
FREEZER OPERATION.....	12
Unlock settings.....	12
Quick-frozen function.....	12
Temperature alarm function.....	13
Indicator Lights.....	13
Storing Frozen Food	13
Freezing Fresh Food	14
ENERGY SAVING	14
TAKE CARE.....	14
Defrosting	14
Cleaning and Care	15
TROUBLE SHOOTING	15
INSTRUCTION FOR HANDLE.....	17

Thank you for purchasing this product.

Before using your refrigerator, please carefully read this instruction manual in order to maximize its performance. Store all documentation for subsequent use or for other owners. This product is intended solely for household use or similar applications such as:

- the kitchen area for personnel in shops, offices and other working environments
- on farms, by clientele of hotels, motels and other environments of a residential type
- at bed and breakfasts (B & B)
- for catering services and similar applications not for retail sale.

This appliance must be used only for purposes of storage of food, any other use is considered dangerous and the manufacturer will not be responsible for any omissions. Also, it is recommended that you take note of the warranty conditions. Please, to obtain the best possible performance and trouble free operation from your appliance it is very important to carefully read these instructions. Failure to observe these instructions may invalidate your right to free service during the guarantee period.

SAFETY INFORMATION

This guide contains many important safety information. Please, we suggest you keep these instructions in a safe place for easy reference and a good experience with the appliance.

The refrigerator contains a refrigerant gas (R600a: isobutane) and insulating gas (cyclopentane), with high compatibility with the environment, that are, however, inflammable.



Caution: risk of fire

If the refrigerant circuit should be damaged:

- Avoid opening flames and sources of ignition.

Thoroughly ventilate the room in which the appliance is situated

WARNING!

- Care must be taken while cleaning/carrying the appliance to avoid touching the condenser metal wires at the back of the appliance, as you might injure your fingers and hands or damage your product.
- This appliance is not designed for stacking with any other appliance. Do not attempt to sit or stand on top of your appliance as it is not designed for such use. You could injure yourself or damage the appliance.
- Make sure that mains cable is not caught under the appliance during and after carrying/moving the appliance, to avoid the mains cable becoming cut or damaged.
- When positioning your appliance take care not to damage your flooring, pipes, wall coverings etc. Do not move the appliance by pulling by the lid or handle. Do not allow children to play with the appliance or tamper with the controls. Our company declines to accept any liability should the instructions not be followed.
- Do not install the appliance in humid, oily or dusty places, nor expose it to direct sunlight and to

water.

- Do not install the appliance near heaters or inflammable materials.
- If there is a power failure do not open the lid. Frozen food should not be affected if the failure lasts for less than 20 hours. If the failure is longer, then the food should be checked and eaten immediately or cooked and then refrozen.
- If you find that the lid of the chest freezer is difficult to open just after you have closed it, don't worry. This is due to the pressure difference which will equalize and allow the lid to be opened normally after a few minutes.
- Do not connect the appliance to the electricity supply until all packing and transit protectors have been removed.
- Leave to stand for at least 4 hours before switching on to allow compressor oil to settle if transported horizontally.
- This freezer must only be used for its intended purpose (i.e. storing and freezing of edible foodstuff).
- Do not store medicine or research materials in the Wine Coolers. When the material that requires a strict control of storage temperatures is to be stored, it is possible that it will deteriorate or an uncontrolled reaction may occur that can cause risks.
- Before performing any operation, unplug the

- power cord from the power socket.
- On delivery, check to make sure that the product is not damaged and that all the parts and accessories are in perfect condition.
 - If in the refrigeration system a leak is noted, do not touch the wall outlet and do not use open flames. Open the window and let air into the room. Then call a service center to ask for repair.
 - Do not use extension cords or adapters.
 - Do not excessively pull or fold the power cord or touch the plug with wet hands.
 - Do not damage the plug and/or the power cord; this could cause electrical shocks or fires.
 - If the supply cord is damaged, it must be replaced by the manufacturer, its service agent or similarly qualified person in order to avoid a hazard.
 - Do not place or store inflammable and highly volatile materials such as ether, petrol, LPG, propane gas, aerosol spray cans, adhesives, pure alcohol, etc. These materials may cause an explosion.
 - Do not use or store inflammable sprays, such as spray paint, near the Wine Coolers. It could cause an explosion or fire.
 - Do not place objects and/or containers filled with water on the top of the appliance.
 - We do not recommend the use of extension leads and multi-way adapters.

- Do not dispose of the appliance on a fire. Take care not to damage, the cooling circuit/pipes of the appliance in transportation and in use. In case of damage do not expose the appliance to fire, potential ignition source and immediately ventilate the room where the appliance is situated.
- The refrigeration system positioned behind and inside the Wine Coolers contains refrigerant. Therefore, avoid damaging the tubes.
- Do not use electrical appliances inside the food storage compartments of the appliance, unless they are of the type recommended by the manufacturer.
- Do not damage the refrigerant circuit.
- Do not use mechanical devices or other means to accelerate the defrosting process, other than those recommended by the manufacturer.
- Do not use electrical appliances inside the food storage compartments, unless they are of the type recommended by the manufacturer.
- Do not touch internal cooling elements, especially with wet hands, to avoid cracks or injuries.
- Maintain the ventilation openings in the appliance enclosure or in the built-in structure, free of obstruction.
- Do not use pointed or sharp-edged objects such as knives or forks to remove the frost.
- Never use hairdryers, electrical heaters or other such electrical appliances for defrosting.

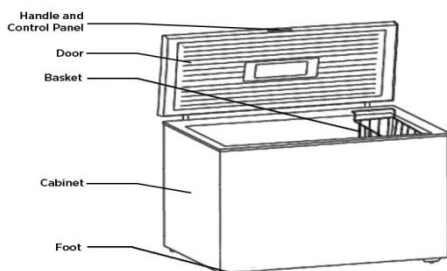
- Do not scrape with a knife or sharp object to remove frost or ice that occurs. With these, the refrigerant circuit can be damaged, the spill from which can cause a fire or damage your eyes.
- Do not use mechanical devices or other equipment to hasten the defrosting process.
- Absolutely avoid the use of open flame or electrical equipment, such as heaters, steam cleaners, candles, oil lamps and the like in order to speed up the defrosting phase.
- Never use water wash the compressor position, wipe it with a dry cloth thoroughly after cleaning to prevent rust.
- It is recommended to keep the plug clean, any excessive dust residues on the plug can be the cause fire.
- The product is designed and built for domestic household use only.
- The guarantee will be void if the product is installed or used in commercial or non-residential domestic household premises.
- The product must be correctly installed, located and operated in accordance with the instructions contained in the User Instructions Booklet provided.
- The guarantee is applicable only to new products and is not transferable if the product is resold.
- Our company disclaims any liability for incidental or consequential damages.

- The guarantee does not in any way diminish your statutory or legal rights.
- Do not perform repairs on this Wine Coolers. All interventions must be performed solely by qualified personnel.

SAFETY CHILDREN!

- If you are discarding an old product with a lock or latch fitted to the door, ensure that it is left in a safe condition to prevent the entrapment of children.
- This appliance can be used by children aged from 8 years and above and by persons with reduced physical, sensory or mental capabilities or with a lack of experience and knowledge; provided that they have been given adequate supervision or instruction concerning how to use the appliance in a safe way and understand the hazards involved.
- Children should not play with the appliance. Cleaning and user maintenance should not be made by children without supervision.

CHEST FREEZER HOOVER



Climate Class

The appliance is designed to operate at the limited range of ambient temperature, depending on climate zones. Do not use the appliance at the temperature out of the limit. Climate class of your appliance is indicated on the label with technical description inside the fridge compartment.

Climate Class	Amb. T. (°C)	Amb. T. (°F)
SN	From 10 to 32	From 50 to 90
N	From 16 to 32	From 61 to 90
ST	From 16 to 38	From 61 to 100
T	From 16 to 43	From 61 to 110

TRANSPORTATION INSTRUCTIONS

The appliance should be transported only in a vertical upright position. The packing as supplied must be intact during transportation. If during the course of transport the product has been transported horizontally, it must only be laid on its left hand side (when facing the door front) and it must not be operated for at least 4 hours to allow the system to settle after the appliance is brought back to upright position.

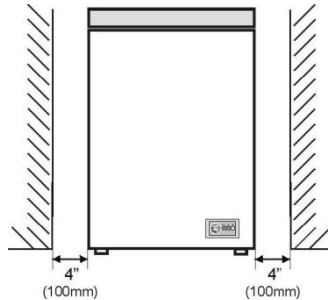
1. Failure to comply with the above instructions could result in damage occurring to the appliance. The manufacturer will not be held responsible if these instructions are disregarded.
2. The appliance must be protected against rain, moisture and other atmospheric influences.

1. INSTALLATION INSTRUCTIONS

1. If possible avoid placing the appliance near cookers, radiators or in direct sunlight as this will cause the compressor to run for long periods. If installed next to a source of heat or refrigerator, maintain the following minimum side clearances:

From Cookers	4" (100 mm)
From Radiators	12" (300 mm)
From Fridges	4" (100 mm)

2. Make sure that sufficient room is provided around the appliance to ensure free air circulation. Ideally, A space of no less than 10cm must be left around the freezer, and ensure you allow gaps as shown in the below diagram.



3. The appliance should be located on a smooth surface.
4. It is forbidden to use the refrigerator outdoors.
5. Protection from moisture. Do not locate the freezer in moist space to avoid the metal parts rusty. And do not spray water to the freezer, otherwise it will weaken the insulation and causes current leakage.
6. Refer to "Cleaning and Care" section to prepare your appliance for use.
7. If the freezer is installed in unheated areas, garages etc., in cold weather condensation may form on the outer surfaces. This is quite normal and is not a fault. Remove the condensation by wiping with a dry cloth.

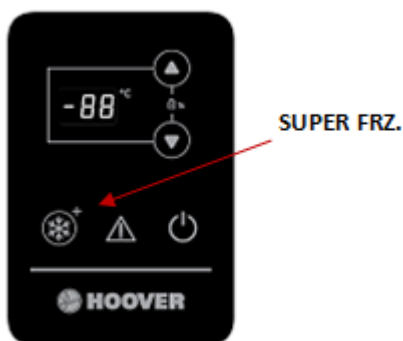
STARTING TO USE

Before you starting to use the freezer, please check that:

1. The interior is dry and air can circulate freely at the rear.
2. Clean the interior as recommended under "TAKE CARE" section.
3. Insert the plug into the wall socket, all LED lights, digital display light returned to normal after 2s.; enter to modify status without any operation after 5s, automatically locked.
4. Set temperature range -24°C ~ -16°C.

5. You will hear a noise as the compressor starts up. The liquid and gases sealed within the refrigeration system may also give rise to noise, whether the compressor is running or not which is quite normal.
6. If you going to store already frozen food open the freezer lid and check that the freezer has reached correct temperature. Then you can put in your already frozen food (see "Storing Frozen Food").
7. Do not load the appliance immediately after it is switched on. Wait until the correct storage temperature has been reached. We recommend that you check the temperature with an accurate thermometer (see "Freezer Operation").

FREEZER OPERATION



Unlock Settings

Hold the "+" key and "-" key, both at the same time for more than 1s to unlock function, temperature setting, quick-frozen setting function.

- Every press "Up" key, 1°C temperature increase; every press "Down", 1°C temperature decrease; when the stop button operation after the 5s system automatically according to the set temperature, automatic confirmation and exit, stop flashing.
- Temperature setting and quick-frozen set the boot parameters of 0,014 downtime parameters.

Quick-Frozen Function

- Press the "Super FRZ." Key 24h before the load, the temperature is set to automatically -30°C, digital flash slow -30°C, the light is lit at the same time, stop flashing into frozen function after 5s.
- Running time is 26h, quick-frozen function automatically quit, stop quick-frozen function, its light is put out, restoring frozen before.
- Unlock state, press the quick-frozen keys, stop quick-frozen function, its light is put out, back frozen before form.

Temperature Alarm Function

Electrical operation after 3h on the freezer, the temperature in the cabinet above -12°C, the alarm light is lit, and buzzer sounds.


Indicator Lights

- Freezer current state, the power indicator light lit. When state changes (i.e., digital flash), show all the bright display; a modified state (that is, the digital stop flashing), half light slow.
- Freezer power, the power indicator light go out.

Electrical operation after 3h on the freezer, the temperature in the cabinet above -12°C, the alarm light is lit, and buzzer sounds.

Suggestion: this product factory default temperature set point: -18°C. After each set, if without any key operation within 10s exit parameters setting, all the parameters set is valid.

Storing Frozen Food

Prepackaged commercially frozen food should be stored in accordance with the frozen food manufacturer's instructions for a  freezer compartment.

To ensure that the high quality achieved by the frozen food manufacturer and the food retailer is maintained the following should be remembered:

- 1 . Put packets in the freezer as quickly as possible after purchase.
- 2 . Do not exceed "Use By", "Best Before" dates on the packaging.

DO	DON'T
Defrost food from the freezer thoroughly in a fridge or in a microwave oven following defrosting and cooking instructions.	Use pointed sharp edged objects such as knives, forks to remove the ice.
Ensure that chest freezer lid is completely closed after each use.	Put hot food in the freezer. Let it cool down first.
Defrost frozen meat completely before cooking.	Put liquid-filled bottles or sealed cans containing carbonated liquids into the freezer as they may burst.
Check contents of the freezer at regular intervals.	Remove items from the freezer with wet hands.
Clean and defrost your freezer regularly.	Freeze fizzy drinks.
Store small items in the basket provided.	Shut the lid with force. You will damage the appliance.
Prepare fresh food for freezing in small portions to ensure rapid freezing.	Store poisonous or dangerous substances in the freezer.
Remove ice cream from the freezer 10-20 minutes before serving.	Consume ice-cream and water ices direct from freezer. It may cause "freezer burns" on lips.
Wrap frozen food when you buy it and put it into the freezer shortly.	Try to keep frozen food which has thawed, it should be eaten within 24 hours or cooked and refrozen.
Keep food for as short a time as possible and adhere to "Best Before", "Use By" dates.	Exceed the maximum freezing capacity (5 kg in any 24 hours) when freezing fresh food.

Wrap all foods in aluminum foil or freezer quality plastic bags and make sure any air is excluded.	
Store commercially frozen food in accordance with the instructions given on the packets that you buy.	
Always choose high quality fresh food and be sure it is thoroughly clean before you freeze it.	

For more about storing, download the App and visit “Tips & Hints”.

Freezing Fresh Food

Place fresh food to be frozen near the side walls to ensure fast freezing and away from already frozen food, if possible.

Freezing capacity of your appliance in a 24 hours period is 5 kg (10lb).

Never exceed this maximum capacity. Do not freeze too large a quantity at any one time. The quality of the food is best preserved when it is frozen right through to the center as quickly as possible.

Take special care not to mix already frozen food and fresh food.

ENERGY SAVING

For better energy saving we suggest:

- Installing the appliance away from heat sources and not exposed to direct sunlight and in a well-ventilated room.
- Avoid putting hot food into the refrigerator to avoid increasing the internal temperature and therefore causing continuous functionalizing of the compressor.
- Do not excessively stuff foods so as to ensure proper air circulation.
- Defrost the appliance in case there is ice to facilitate the transfer of cold.
- In case of absence of electrical energy, it is advisable to keep the refrigerator door closed.
- Open or keep the doors of the appliance open as little as possible.
- Avoid adjusting the setting to temperatures too cold.
- Remove dust present on the rear of the appliance.

TAKE CARE

Defrosting

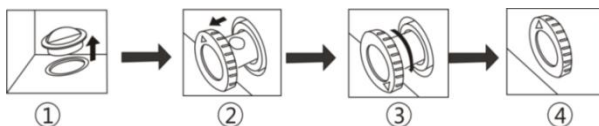
Defrost twice a year or when a frost layer of around 7 mm (1/4”) has formed.

Alternatively you may switch off the freezer at the socket outlet and pull out the mains plug. Extract the water conduit and put in a water container.

6 hours before the defrosting, please set the thermostat knob at “MAX” position to make sure the food is at the lowest temperature when you get it out. All food should be wrapped in several layers of newspaper and stored in a cool place (e.g. fridge or larder). Remove the freezer basket. Leave the lid open. Containers of warm water may be placed carefully in the freezer to speed up the defrosting.

When defrosting has finished flow out defrost water which collects at the bottom of the freezer as the below diagram and dry the interior thoroughly. Switch on the Fast Freeze and leave it on for

about three hours.



1. There is a water conduit at the bottom of the freezer, when defrosting, extract the rubber cover, defrosted water will drip into the hole and flow out. (NOTES: Please keep the rubber cover well during the defrosting and put it back after defrosting is done).
2. Extract the water conduit by 20-25mm until the water hole can be seen.
3. Twist the water conduit until the arrow points downward.
4. After defrosting is done, make sure there is no more water coming out before out the water conduit in place and make the arrow point upward.

Cleaning and Care

We recommend that you switch off the freezer at the socket outlet and pull out the mains plug before cleaning.

Never use any sharp abrasive instrument, soap, household cleaner, detergent and wax polish for cleaning.

Use lukewarm water to clean the cabinet of the freezer and wipe it dry.

Use a damp cloth wrung out in a solution of one teaspoon of bicarbonate of soda to one pint of water to clean the interior and wipe it dry.

Excess deposit of ice should be removed on a regular basis using a plastic ice scraper available from your local store. Large accumulation of ice will impair the performance of the freezer.

If the freezer is not going to be used for a long period of time switch it off, remove all food, clean it and leave the lid ajar.

Check lid seals regularly to ensure they are clean and free from food particles.

TROUBLE SHOOTING

- If the appliance does not operate when switched on, check.
- The product is designed and built for domestic household use only.
- The plug is inserted properly in the socket and that the power supply is on. (To check the power supply to the socket, plug in another appliance).
- The fuse has blown/circuit breaker has tripped/main distribution switch has been turned off.
- The temperature control has been set correctly.
- If the provided plug has been replaced, make sure the new plug is properly connected. If the appliance is still not operating after the above checks, please contact Customer Service.

SCRAPPING OLD APPLIANCES



This appliance is marked according to the European directive 2012/19/EU on Waste Electrical and Electronic Equipment (WEEE).

WEEE contains both polluting substances (which can cause negative consequences for the environment) and basic components (which can be re-used). It is important to have WEEE subjected to specific treatments, in order to remove and dispose properly all pollutants, and recover and recycle all materials.

Individuals can play an important role in ensuring that WEEE does not become an environmental issue; it is essential to follow some basic rules:

WEEE should not be treated as household waste.

WEEE should be handed over to the relevant collection points managed by the municipality or by registered companies. In many countries, for large WEEE, home collection could be present.

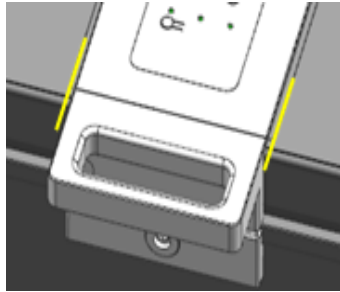
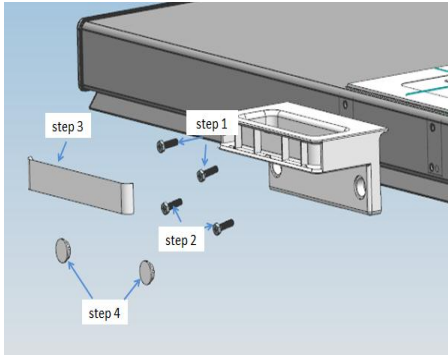
In many countries, when you buy a new appliance, the old one may be returned to the retailer who has to collect it free of charge on a one-to-one basis, as long as the equipment is of equivalent type and has the same functions as the supplied equipment.

Conformity

By placing the **CE** mark on this product, we are confirming compliance to all relevant European safety, health and environmental requirements which are applicable in legislation for this product.

INSTRUCTION FOR HANDLE





preparing: get the handle, screws, handle cover, hole covers.

step 1: get two screws into the handle up holes, fix it into the door shell.

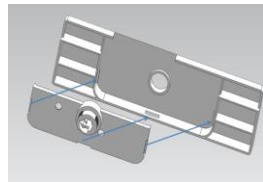
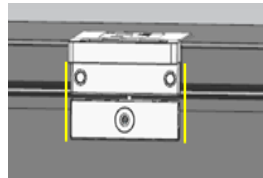
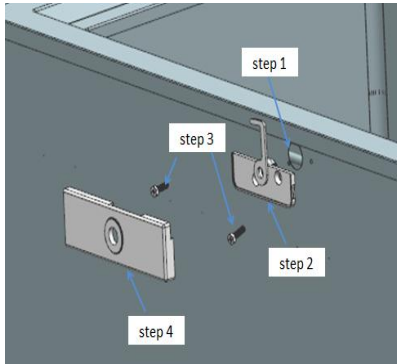
step 2: get two screws into the handle lower holes, fix into the door shell.

step 3: get the handle cover, fix it to the handle front, pressure the cover from one side to another side.

step 4: get the hole cover, pressure it into the hole of the handle.

notice:

1. when fix the handle, should keep the handle and the display cover in same line, as the following picture yellow line show.



preparing: get the lock, screws, lock cover.

step 1: dig the foaming layer about 8-10mm depth.

step 2: put the lock core and the supporter into the hole.

step 3: fix the lock supporter with two screws.

step 4: get the lock cover, the pressure it to the lock supporter, from one side to other side, as the following picture show.

notice:

1. when fix the lock, should keep the lock cover and the handle right and left position in same line, as the following picture yellow line show.

2. could through changing the screws fixed position to change the lock supporter position.

FREEZING CAPACITY OF CHEST FREEZER

electronic CF freezing capacity		
modele	EC class	freezing capacity (kg)
BD-100	A+	10
BD-100	A++	10
BD-150	A+	10
BD-150	A++	10
BD-200	A+	12
BD-200	A++	12
BD-255	A+	13
BD-255	A++	13
BD-300	A+	14

CANDY HOOVER GROUP S.R.L.
Via Privata Eden Fumagalli
20861 Brugherio Milan Italy