



3 Using your washing machine for the first time

Let's get started

Temperature selection

You can select the washing water temperature with the washing water temperature selection button.



Auxiliary function button 1

Spin Speed Selection

You can adjust the spin speed of your laundry with the spin speed setting button.




Auxiliary function button 2

Extra Rinse

You can make additional rinse operation on

your laundry by using this additional function.

You may make the programme active by pressing the extra rinsing function button when the LED light of the  symbol turns on.

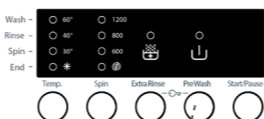


Auxiliary function button 3

Pre-wash

You can expose your very dirty laundries to prewashing operation prior to main washing by using this additional function.

When using this function, you should put detergent in front washing compartment of the detergent drawer.



Auxiliary function button 4

4 Troubleshooting

Help is always at hand

Help and assistance

If you require any technical guidance or find that your WMNSN612W - WMNB712EW - WMNB812EW - WMNB912EW - WMNB1012EW - WMNB712EB - WMNB812EB - WMNB912EB - WMNB1012EB washing machine is not operating as intended, a simple solution can often be found in the **Troubleshooting** section of the instruction manual or online at www.bush-support.com

If you still require further assistance, call one of our experts on **0345 257 7271***. To help us give you a fast and efficient service please have the following information ready:

Model Ref.

You can find these on the rating plate - a small information panel (usually a sticker or metal plate) on the rear of your appliance

Serial number

Date of purchase

This will be shown on your receipt

Local call rates applies*

Lines open 8am-7pm Monday to Saturday and 10am-4pm Sunday.

*Calls to Bush enquiry lines may attract a charge and set up fee from residential lines depending on your call plan/tariff. Mobile and other providers costs may vary, see www.bt.com/pricing for details.

For security and training purposes, telephone calls to and from customer service centres may be recorded and monitored. Calls from Republic of Ireland will attract international call charges.



Quick start guide

Washing Machine

WMNSN612W

WMNB712EW

WMNB812EW

WMNB912EW

WMNB1012EW

WMNB712EB

WMNB812EB

WMNB912EB

WMNB1012EB



Contact:

www.bush-support.com

Helpline: 0345 257 7271

52257844

If you require any technical guidance or find that your product is not operating as intended, a simple solution can often be found in the **Troubleshooting**

section of these instructions, or online at www.bush-support.com If you still require further assistance, call one of our experts on **0345 257 7271**.

1 Unpacking

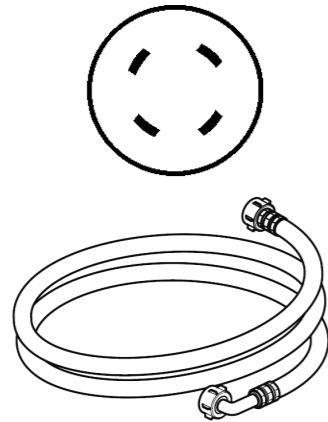
You'll soon be enjoying your new appliance

This guide will help you get started, full details of your washing machine and its features can be found in the instruction manual.

Accessories

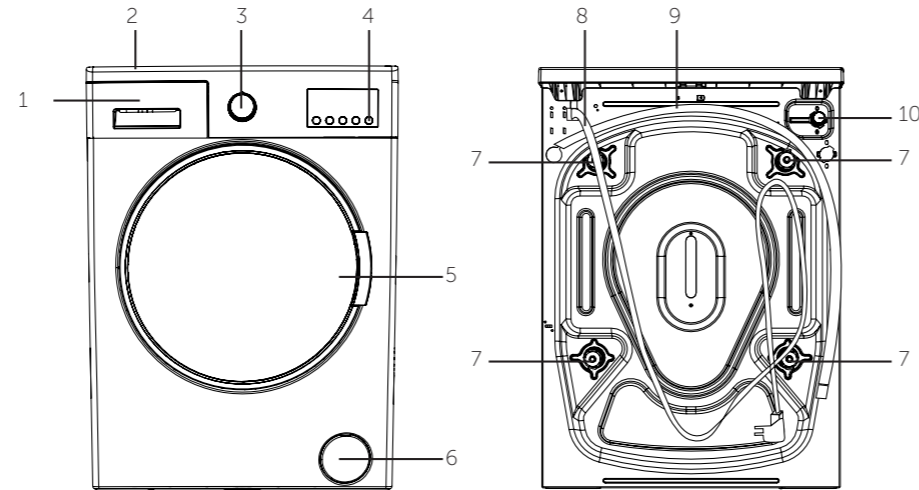
This machine includes the below accessories, please install these parts before operating.

- Plastic hole plug x 4
- Inlet hose



2 Installing your washing machine

Bringing it all together



Front

1. Detergent drawer
2. Top panel
3. Programme knob
4. Start/Pause button
5. Door
6. Filter

Back

7. Packing bolt x 4
* Make sure to remove the transit bolts prior to first use.
8. Power lead
9. Drain hose
10. Water inlet

2 Installing your washing machine

Bringing it all together

Connections

Electrical



Any electrical work that is required to install this washing machine MUST be carried out by a qualified electrician.

- Ensure the power socket is suitable for the maximum power of the washing machine (fuses in the power circuit must be 13 amp).
- The appliance must be connected to a 220-240 volt 50 cycle AC supply by means of a three pin socket, suitably earthed and protected by a 13 amp fuse.
- Should the fuse need to be replaced, a 13 amp fuse approved to BS1363/A must be used.

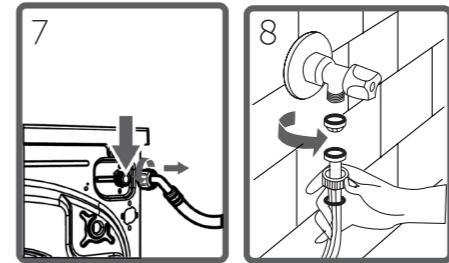
Water



Important: This washing machine MUST only be connected to a cold water supply.

- Connect the water inlet hose, the angled connection attaches to the water inlet on the back of the washing machine. (7)
- The straight connection attaches to the water supply valve. (8)
- Ensure all seals are in place before connecting.

Important: Only tighten the hose connection nut by hand - do not overtighten.

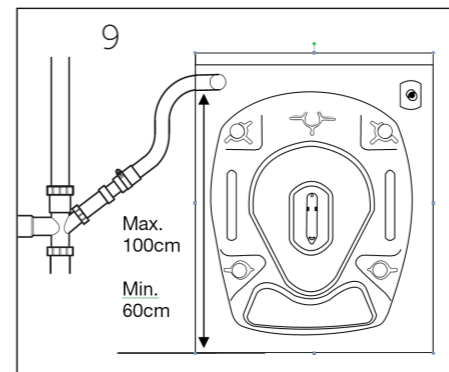


Important: The height of the top of the curve in the drain hose MUST be between 60 - 100cm from the

floor.(9)

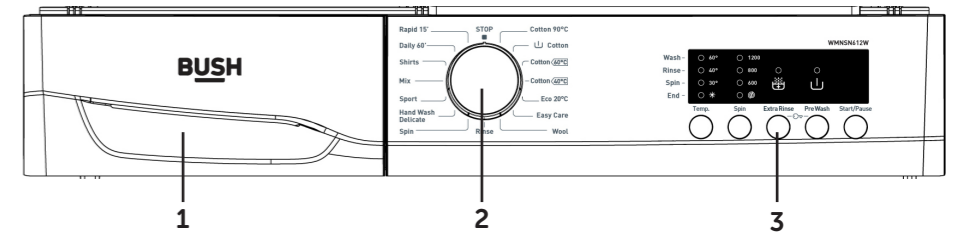
Important: The end of the water drain hose may be fitted directly to the waste water outlet hole or a special apparatus mounted on the outlet bracket of the wash-stand.

Important: Never attempt to extend the water drain hose by adding extra parts.

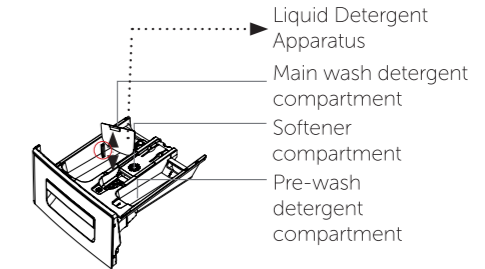


3 Using your washing machine for the first time

Let's get started

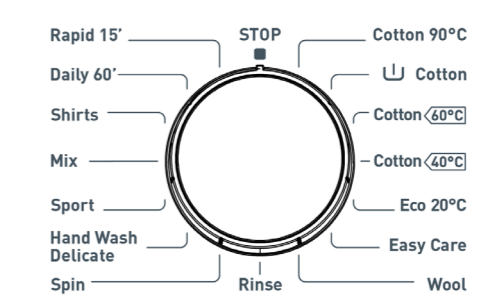


1- Detergent Drawer



function after the machine has started washing, press the additional function button that you want to use. If the additional function selected can still be used at that programme stage, the LED of the function button will be turned on and the function will be added to the programme. If the LED is not turned on, the function selected is not possible at that stage of the current programme and will not be activated.

2- Programme Knob



With the programme knob, you can select the programme with which you desire to wash your clothes. You can select programmes by turning the programme dial in both directions. You must be careful that the adjustment sign of the programme dial is exactly on the programme you want to select. If you move the programme dial to 0 (off) position, while your machine is running, your programme will be cancelled.

Note: If you want to activate an additional

3- Electronic Display

On the electronic display, you may view washing water temperature, spinning revolution speed of your machine, when your machine will finish washing, the auxiliary functions you have selected and at what stage the programme you have chosen is, (→ prewash/wash, → rinsing, → spinning).

Furthermore, the electronic display will warn you by means of fault symbols on the display when a fault occurs on your machine and notify you of the completion of the washing programme by showing "END" on the display as soon as the washing programme you have selected has finished.

