

GALA GLASS DESK

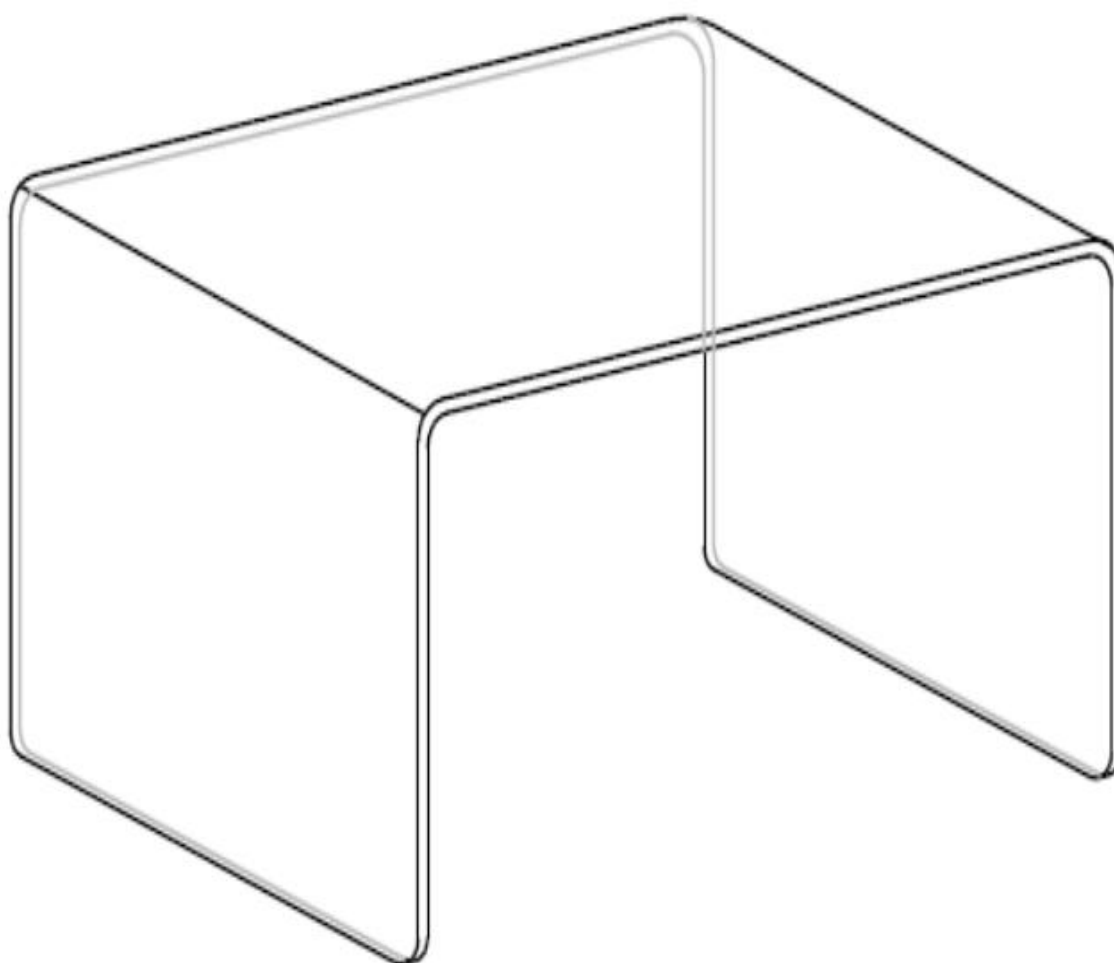
Assembly Instructions - Please keep for future reference

GALA-S-DE-SS17-A

Dimensions

NOTE: Turning out of the carton will be easier with 2 people

Width-120cm
Depth-70cm
Height-75cm



Important – Please read these instructions before assembly

If you need help or have damaged or missing parts, email:
customerservices@habitat.co.uk or call: 0344 499 4686

habitat 



Safety and Care Advice

Important – Please read these instructions fully before starting assembly

Keep children and animals away from the work area, small parts could choke if swallowed.

Make sure you have enough space to layout the parts before starting.

Assemble the item as close to its final position (in the same room) as possible.

Do not stand or put weight on the product, this could cause damage.

Do not place furniture directly in front of radiators, fires or any other source of heat.

Turning out of the carton will be easier with 2 people.

Assemble on a soft level surface to avoid damaging the unit or your floor.

Dispose of all packing carefully and responsibly



General care and maintenance

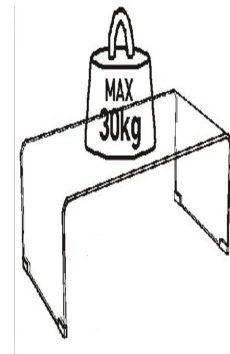
Take care when moving furniture dragging pieces across the floor will damage the joints.

Avoid exposing the furniture to direct and prolonged periods of sunlight and heat sources as fading and cracking may occur.

Take care to prevent sharp objects e.g. Toys, buckles and heels from coming into contact with your furniture, and avoid contact with chemicals e.g. Cosmetics or hairs products which may permanently mark the surface.

Always use coasters or table mats to protect the surface from very hot or cold items.

NEVER SIT ON GLASS TABLE!



General information

If for any reason you should have problems with your Habitat product, please contact the store from which you purchased it.

Please retain your receipt as proof of purchase.

If you have any comments or suggestions regarding this product, assembly instructions or service

received, please contact the store or Habitat Head Office via its web site: www.habitat.co.uk or write directly to: Habitat Retail Ltd. 489-499 Avebury Boulevard, Milton Keynes MK9 2NW



Safety and Care Advice

Important – Please read these instructions fully before starting assembly

Care for glass

Tempered glass has been treated by a special heating and quick cooling process to give it a greater weight capacity and strength.

If it breaks it shatters into thousands of small cubes, rather than shards of glass.

GLASS WARNING

Do not sit or stand upon the glass surfaces.

Do not use the glass as chopping surface.

Do not strike the glass with hard or pointed items.

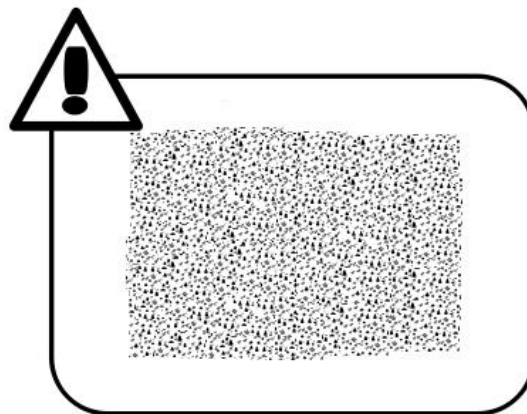
When cleaning glass panels use a damp cloth or leather with washing up liquid soap if necessary, do not use washing powders or any other substance containing abrasives since these substances scratch glass.

If the glass is chipped or broken replace with glass of the type described on this label.

Consult the furniture manufacturers, retailer, or agent with regards to obtaining a manufacturing specification of shape for replacement glass quoting the model number, and batch number or date of manufacture of the table.

Keep these instructions for further use.

Do not place very hot or very cold item on the glass surfaces unless adequately thick table mats are used to prevent such items from coming into contact with the glass.



General information

If for any reason you should have problems with your Habitat product, please contact the store from which you purchased it.

Please retain your receipt as proof of purchase.

If you have any comments or suggestions regarding this product, assembly instructions or service

received, please contact the store or Habitat Head Office via its web site: www.habitat.co.uk

or write directly to: Habitat Retail Ltd. 489-499 Avebury Boulevard,
Milton Keynes MK9 2NW

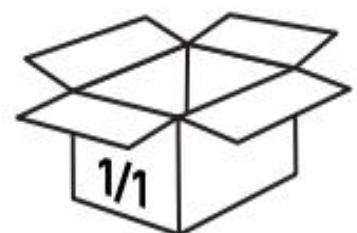
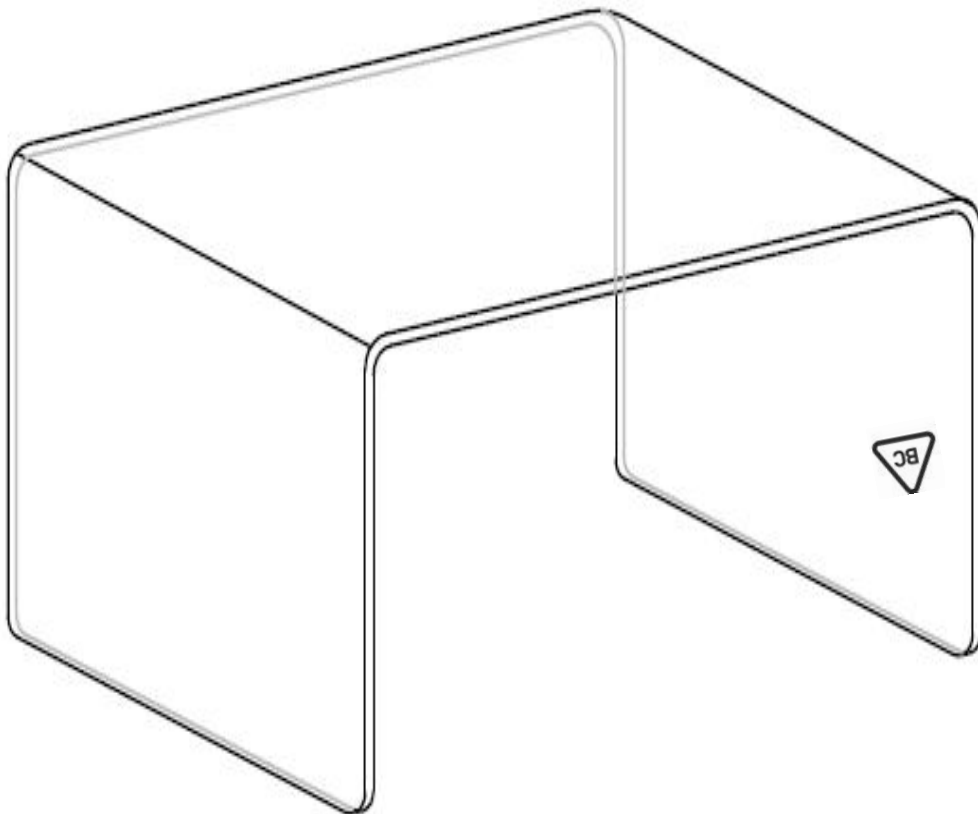
Components - Panels

If you have damaged or missing components,
Call the Customer helpline: 0344 499 4686

Please check you have all the panels listed below

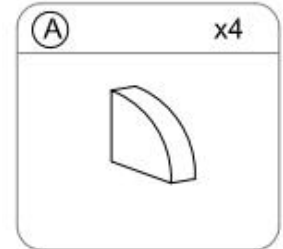


Note: There are 'Batch Code' label where shown on the indicated items, these should be retained.



Assembly Instructions

Step 1



NOTE: TAKE CARE WHEN TURNING OVER

