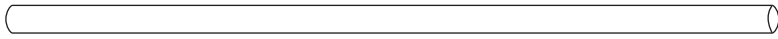


Components

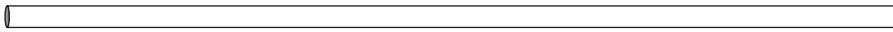
Ⓐ 1 x Hanger



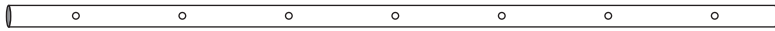
Ⓑ 2 x Lower Side Support



Ⓒ 1 x Top Crossbar



Ⓓ 2 x Upper Side Support (Inserted inside component B)



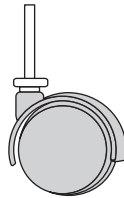
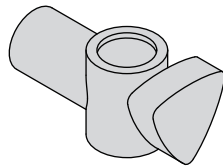
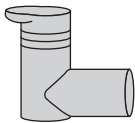
Ⓔ 2 x Bottom Crossbar



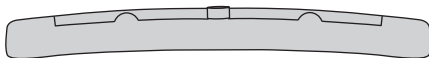
Ⓕ 2 x Connector

Ⓖ 2 x Lock

Ⓙ 4 x Castor

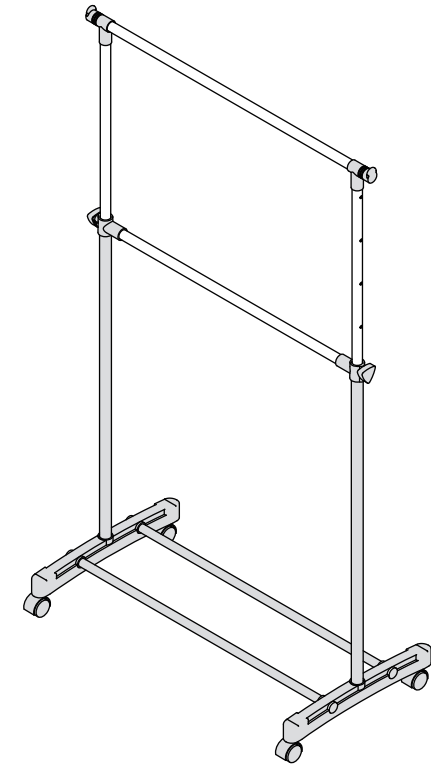


Ⓚ 2 x Leg Section



Grey And Chrome Tidy Rail With Two Rails

Simple Assembly Instructions - Please keep for future reference 8755027



IMPORTANT


1. Read these instructions carefully and familiarise yourself with the procedure before assembling the unit.
2. Check that you have all the component parts following the list on the back cover and familiarise yourself with each part before proceeding.
3. Take all the fittings out of the plastic bag and separate them into their groups.
4. Ensure you have enough space to lay out all the parts before assembly.
5. To avoid scratching it is recommended that you assemble the unit on a soft level surface.
6. Phone After Sales 08456 400 800

Assembly Instructions

Stage 1 – Fitting the Feet

Check Before Assembly



 There are many different kinds of Screws and Panels. Ensure you check all before assembly.

NOTE: It would be useful to ask someone to help you at this stage.

1. Insert Bottom Crossbar (E) into the Leg Section. (G)
See fig. 1.

2. Insert Bottom Tubes (B) into the Feet (G).
See fig. 2.

3. Insert Castors (J) into the Feet (G).
See fig. 3.

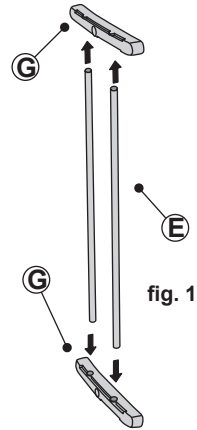


fig. 1

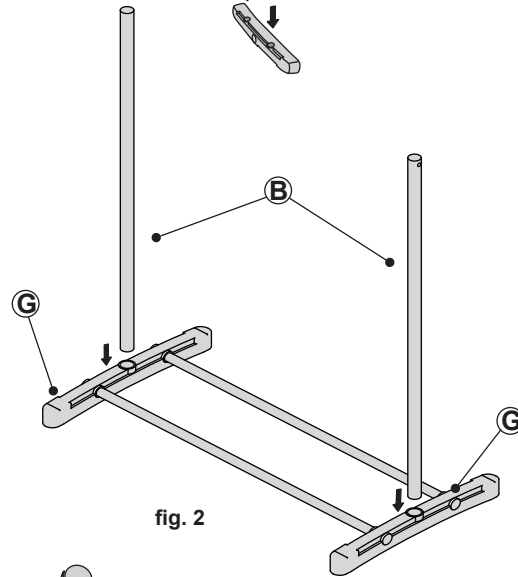


fig. 2

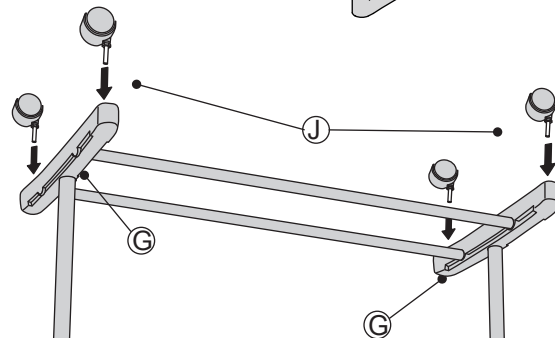


fig. 3

Assembly Instructions

Stage 2 – Fitting the Rail

NOTE: It would be useful to ask someone to help you at this stage.

1. Insert Top Crossbar (C) into the Connectors (F).
See fig. 4.

2. Insert Upper Side Support (D) into the Connectors (F).
See fig. 5.

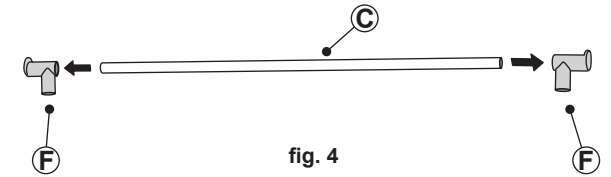


fig. 4

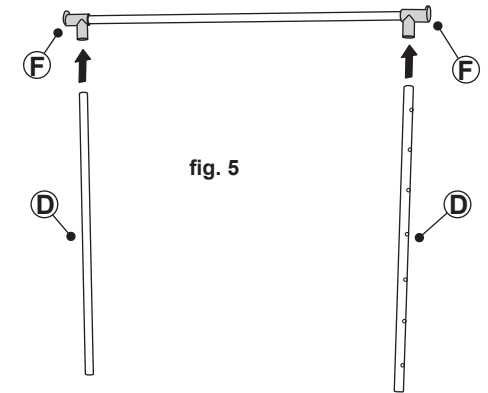


fig. 5

Assembly Instructions

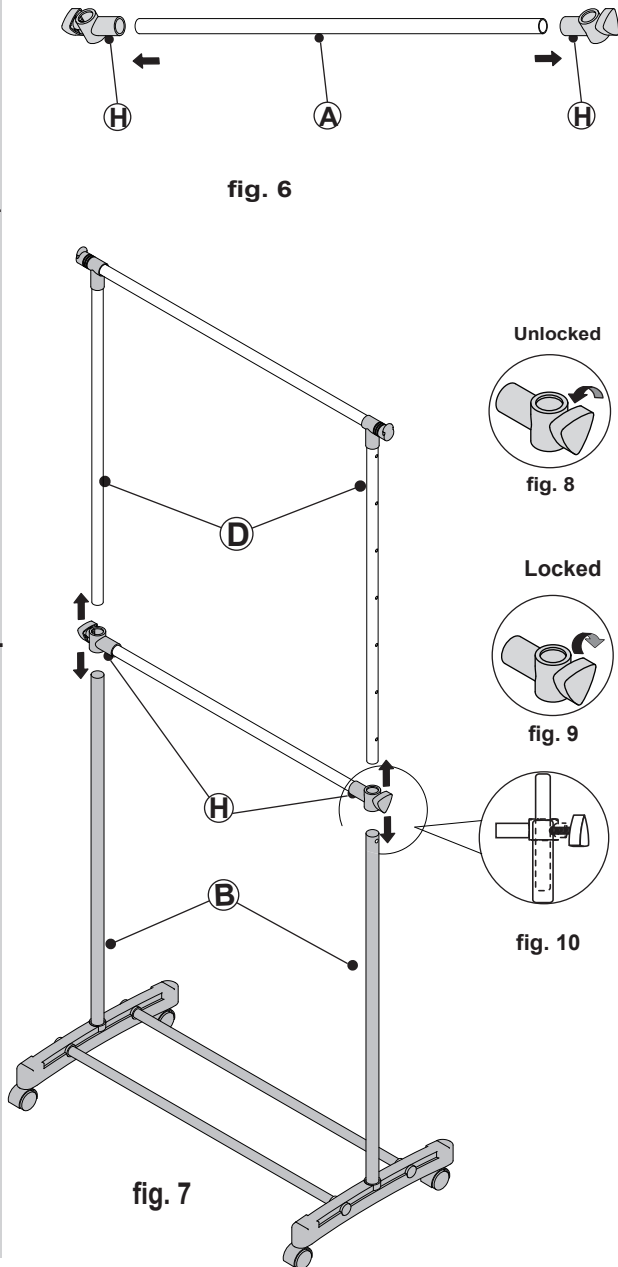
Stage 3 – Fitting the Hanger

NOTE: It would be useful to ask someone to help you at this stage.

1. Insert Hanger (A) into the Lock (H).
See fig. 6.
2. Insert Locks (H) into the Bottom Side Support (B).
See fig. 7.
3. Insert Locks (H) into the bottom of Upper Side Support (D).

NOTES : Align all the holes of the componets (B, D & H) before locking.

4. Set the height of the unit:
Using the holes on Upper Side Support (D). Ensuring the Locks (H) are loosened See fig.8., slide the Upper Side Support (D) to the desired height and tighten the Locks (H) to fix in position.
See fig. 9. & fig. 10.
Adjustment Range:99.5 ~ 167 cm.



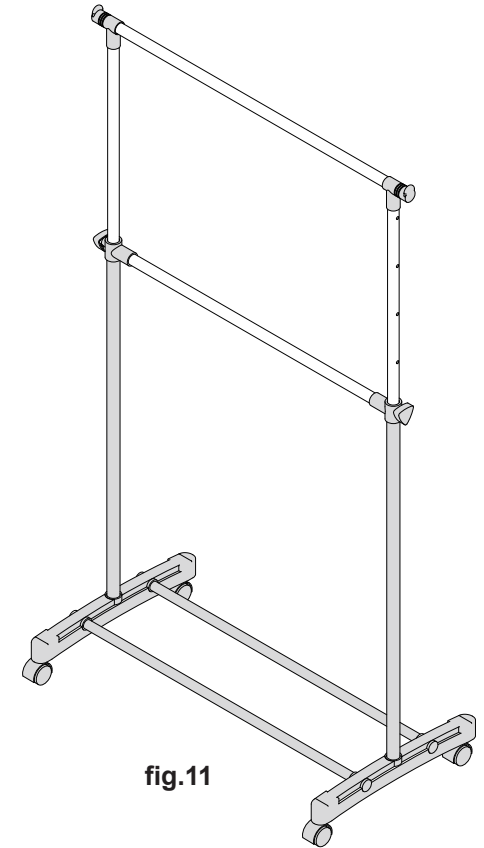
Assembly Instructions

Stage 4 – Finishing the Unit

NOTE: It would be useful to ask someone to help you at this stage.

1. Carefully place the unit in the desired location. See fig.11

NOTE: Before use always make sure the unit is secure.



Care and Maintenance

Safety

To avoid any risk of suffocation to animals or children dispose of the plastic bags immediately.

Cleaning

As with all surfaces clean with a damp cloth and mild detergent, do not use bleach or abrasive products.

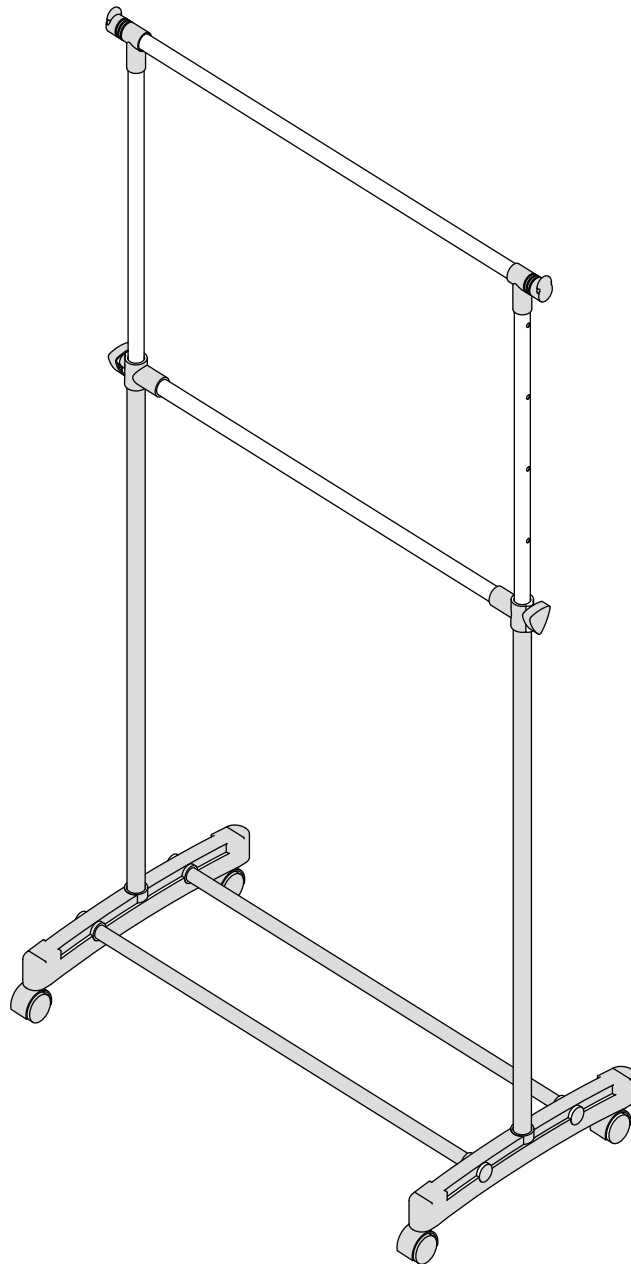
Fitting

From time to time please ensure there are no loose screws on the product.

Grey And Chrome Tidy Rail With Two Rails

Assembly Instructions – Please keep for future reference

875/5027



Dimensions

Width - 84 cm

Depth - 42 cm

Height - 99.5 / 166 cm

Important - Please read these instructions fully before starting assembly

If you need help or have damaged or missing parts, call the Customer Helpline: 08456 400800



Safety and care advice

Important - Please read these instructions fully before starting assembly

- Check you have all the components and tools listed on pages 2 and 3.

- Remove all fittings from the plastic bags and separate them into their groups.

- Keep children and animals away from the work area, small parts could choke if swallowed.

- Make sure you have enough space to layout the parts before starting.

- Assemble the unit as close to its final position (in the same room) as possible.

- Assemble on a soft level surface to avoid damaging the unit or your floor.

- Parts of the assembly will be easier with 2 people.

- If using power tools, please follow the safety instructions supplied with the tools.



- We do not recommend the use of power drill/ drivers for inserting screws, as this could damage the unit. Only use hand screwdrivers.

- Dispose of all packaging carefully and responsibly.

Care and maintenance

- Only clean using a damp cloth and mild detergent, do not use bleach or abrasive cleaners.

- From time to time check that there are no loose screws on this unit.

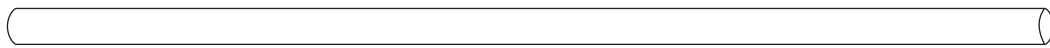
- This product should not be discarded with household waste. Take to your local authority waste disposal centre.

Note: if required the next page can be cut out and used as a reference throughout the assembly. Keep this page with these instructions for future reference.

Components – Parts

Please check you have all the panels listed below

- Ⓐ 1 x Hanger



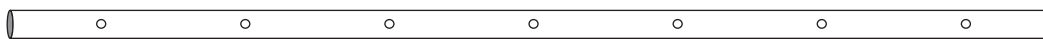
- Ⓑ 2 x Lower Side Support



- Ⓒ 1 x Top Crossbar



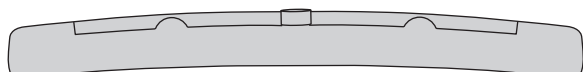
- Ⓓ 2 x Upper Side Support (Inserted inside component B)



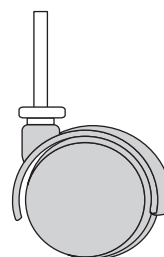
- Ⓔ 2 x Bottom Crossbar



- Ⓕ 2 x Leg Section



- Ⓖ 4 x Castor

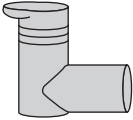
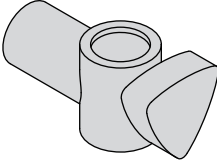


Components–Fittings

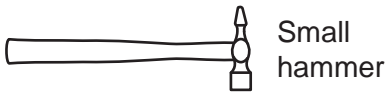
If you have damaged or missing components, call the Customer Helpline: 08456 400800

Please check you have all the fittings listed below

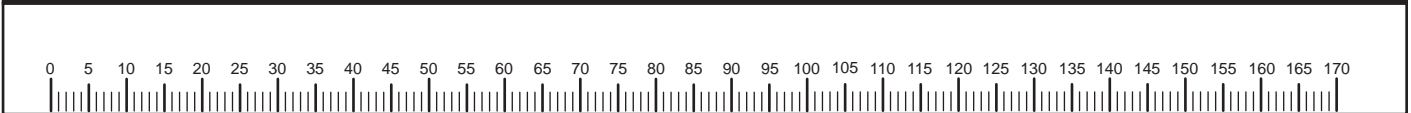
Note: The quantities below are the correct amount to complete the assembly. In some cases more fittings may be supplied than are required.

<p>A</p> <p>Connector x 2</p> 	<p>B</p> <p>Lock x 2</p> 	
--	---	--

Tools required



Ruler - Use this ruler to help correctly identify the screws

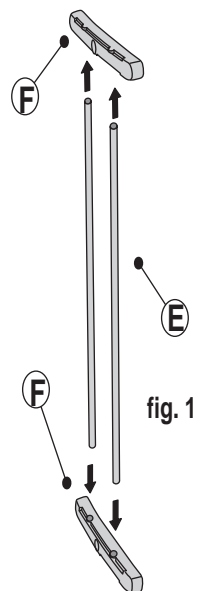


Assembly Instructions

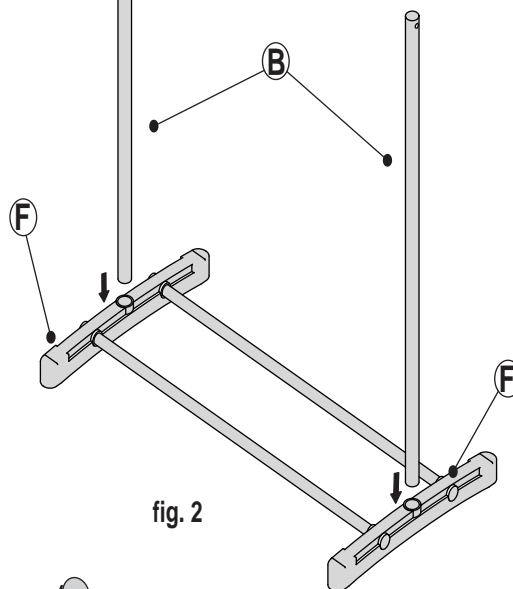
Stage 1 – Fitting the Feet

NOTE: It would be useful to ask someone to help you at this stage.

1. Insert Bottom Crossbar (E) into the Leg Section (F).
See fig. 1.



2. Insert Lower Side Support (B) into the Feet (F).
See fig. 2.



3. Insert Castors (G) into the Feet (F).
See fig. 3.

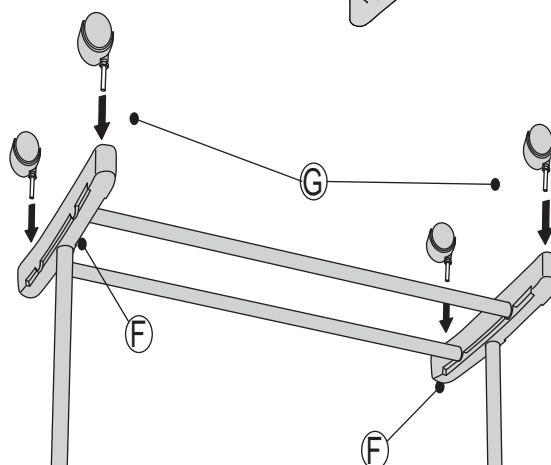


fig. 3

Assembly Instructions

Stage 2 – Fitting the Rail

NOTE: It would be useful to ask someone to help you at this stage.

1. Insert Top Crossbar **C** into the Connectors **A**.
See fig. 4.

2. Insert Upper Side Support **D** into the Connectors **A**.
See fig. 5.

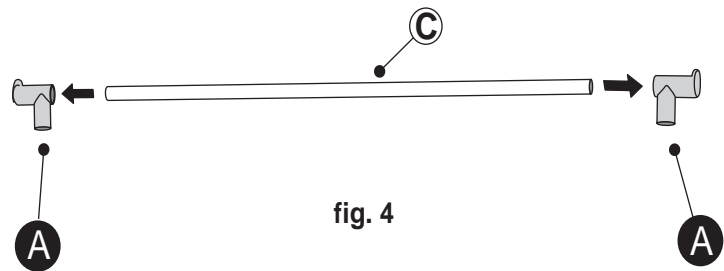


fig. 4

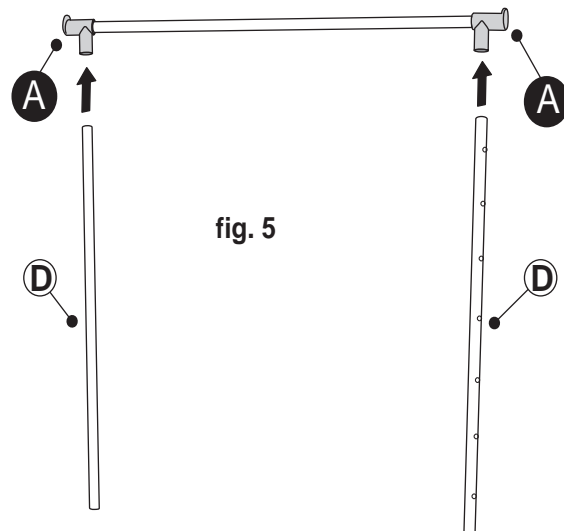


fig. 5

Assembly Instructions

Stage 3 – Fitting the Hanger

NOTE: It would be useful to ask someone to help you at this stage.

1. Insert Hanger (A) into the Lock (B).
See fig. 6.

2. Insert Locks (B) into the Lower Side Support (B).
See fig. 7.

3. Insert Locks (B) into the bottom of Upper Side Support (D).

NOTES : Align all the holes of the components (B), (D) & (B) before locking.

4. Set the height of the unit:
Using the holes on Upper Side Support (D). Ensuring the Locks (B) are loosened See fig.8., slide the Upper Side Support (D) to the desired height and tighten the Locks (B) to fix in position.
See fig. 9 . & fig. 10.
Adjustment Range:99.5 ~ 167 cm.

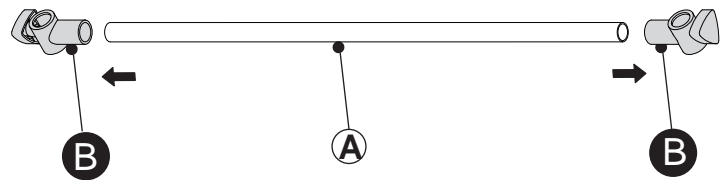


fig. 6

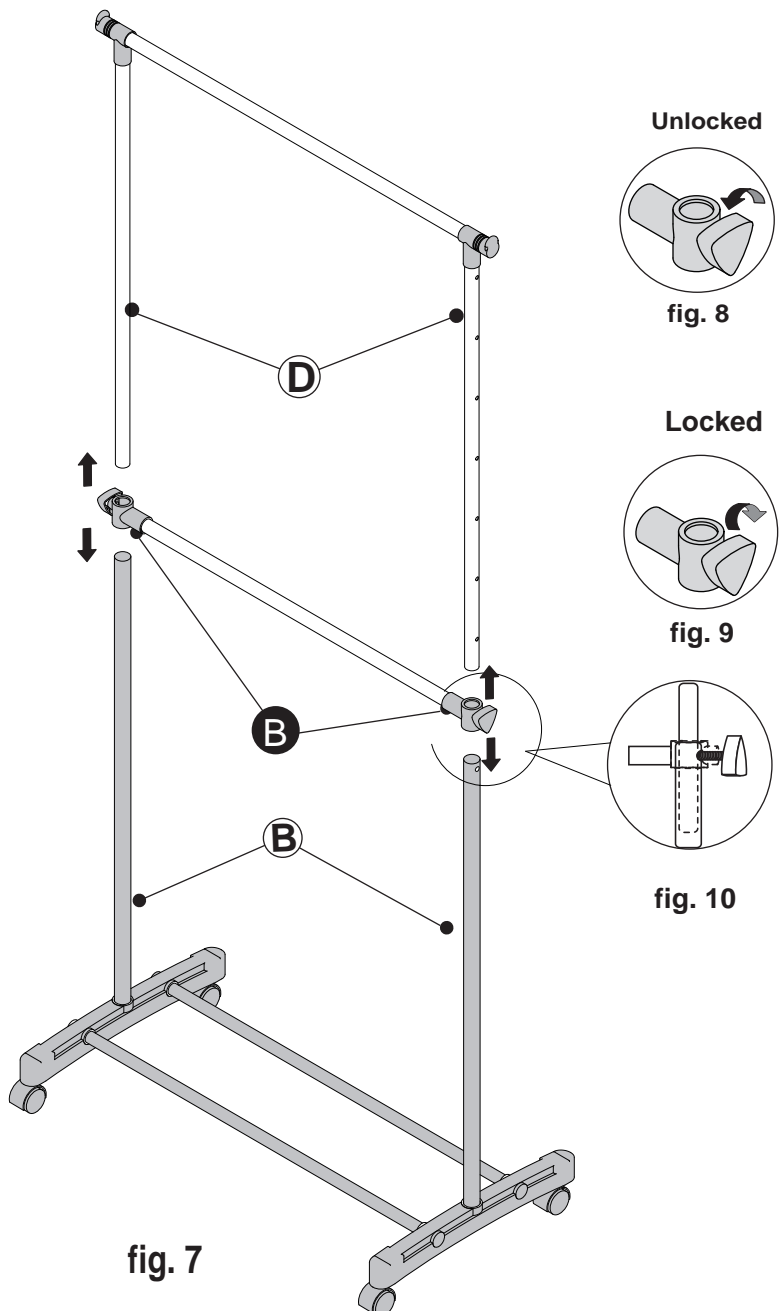


fig. 7

Assembly Instructions

Stage 4 – Finishing the Unit

NOTE: It would be useful to ask someone to help you at this stage.

1. Carefully place the unit in the desired location. See fig.11

And please hold Upper Side Support and pull downward. It'll be fixed if locked or will be glided downward if unlocked.

NOTE: Before use always make sure the unit is secure.

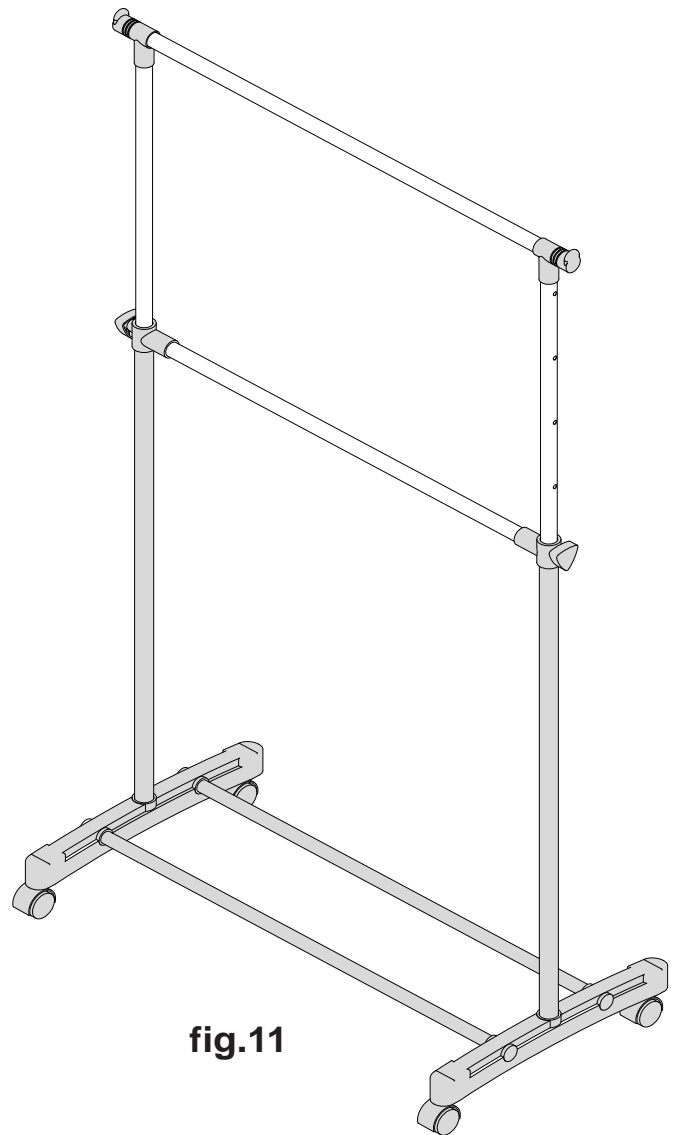


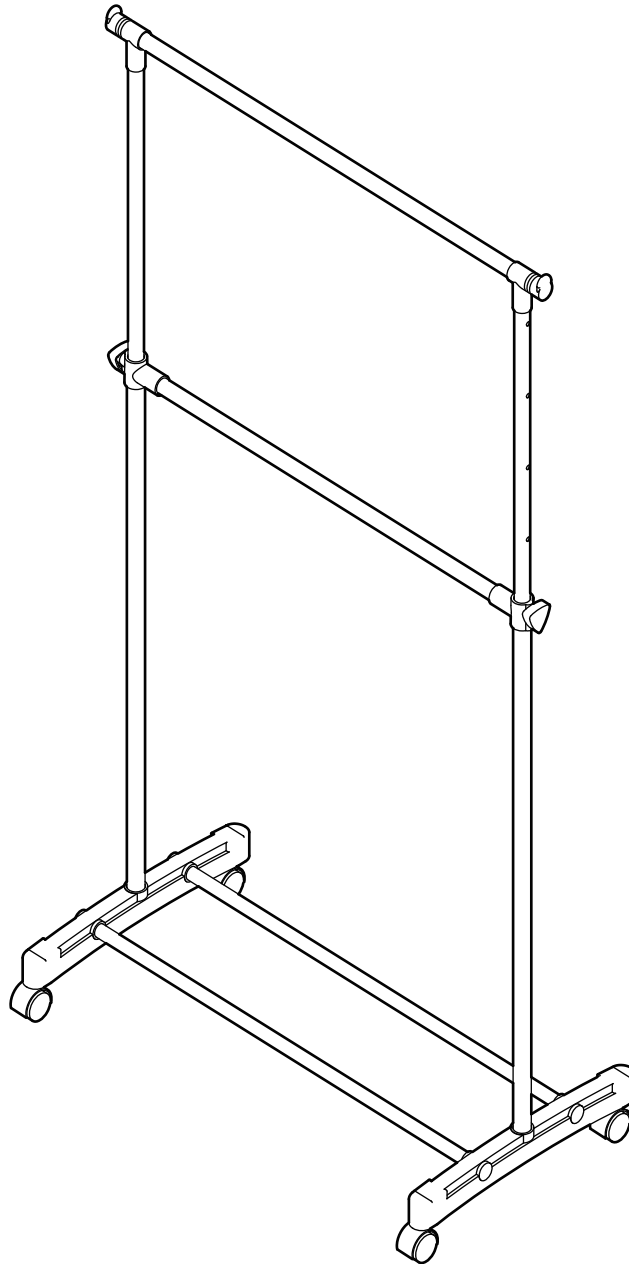
fig.11

If you need help or have damaged or missing parts, call the Customer Helpline: 08456 400800

Grey and Chrome Tidy Rail with Two Rails

Assembly Instructions - Please keep for future reference

875/5027



Dimensions

Width - 84cm

Depth - 42cm

Height - 99.5/166cm

Important - Please read these instructions fully before starting assembly

If you need help or have damaged or missing parts, call the **Customer Helpline: 08456 400800**



Safety and Care Advice

Important - Please read these instructions fully before starting assembly

- Check you have all the components and tools listed on page 2.
- Remove all fittings from the plastic bags and separate them into their groups.
- Keep children and animals away from the work area, small parts are a choking hazard.
- Make sure you have enough space to layout the parts before starting.

- Assemble on a pad to avoid damaging the unit or your floor.
- Parts of the assembly will be easier with 2 people.
- If using power tools, please follow the safety instructions supplied with the tools.
- Assemble the unit as close to its final position (in the same room) as possible.



- We do not recommend the use of power drill/drivers **for inserting screws**, as this could damage the unit. Only use hand screwdrivers.
- Dispose of all packaging carefully and responsibly.

Care and maintenance

- Only clean using a damp cloth and mild detergent, do not use bleach or abrasive cleaners.
- From time to time check that there are no loose screws on this unit.
- This product should not be discarded with household waste. Take to your local authority waste disposal centre.

Components - Panels

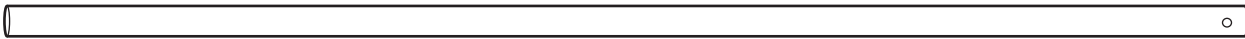
If you have damaged or missing components, call the **Customer Helpline: 08456 400800**

Please check you have all the panels listed below

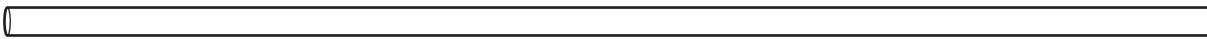
1 Hanger x 1



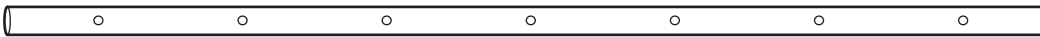
2 Lower side support x 2



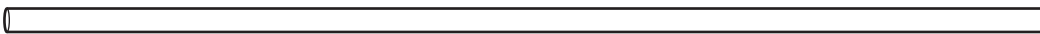
3 Top crossbar x 1



4 Upper side support x 2 (Inserted inside component B)



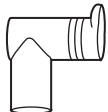
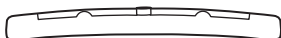


5 Bottom crossbar x 2



Components - Fittings

Please check you have all the fittings listed below

Note: The quantities below are the correct amount to complete the assembly. In some cases more fittings may be supplied than are required.

<p>A</p>  <p>Connector x 4</p>	<p>B</p>  <p>Leg section x 2</p>	<p>C</p>  <p>Castor x 4</p>
<p>D</p>  <p>Lock x 2</p>		

Assembly Instructions

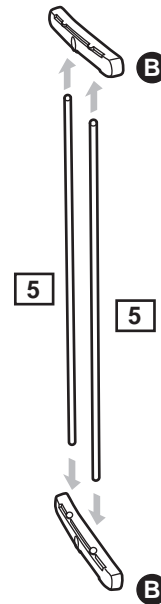
Step 1

Fitting the Leg section

Note: It would be useful to ask someone to help you at this stage.

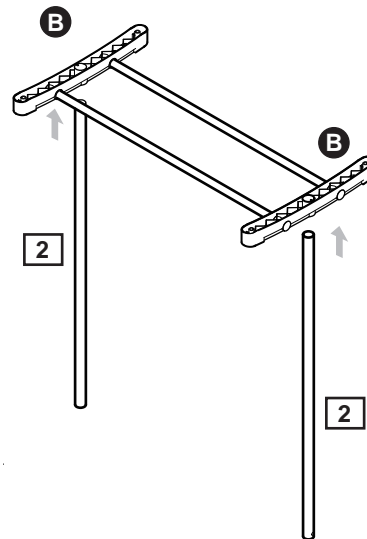
a: Insert Bottom crossbar **5** into the Leg section **B**

a:



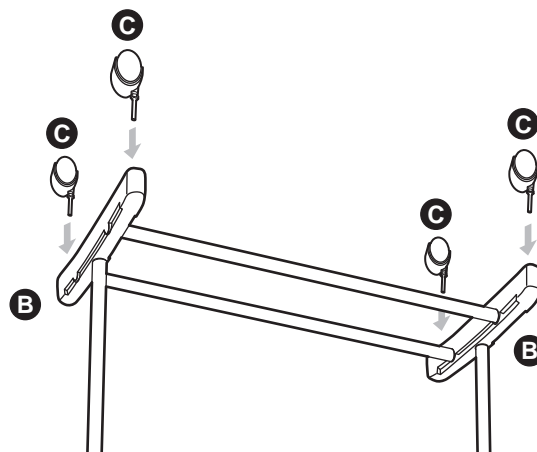
b: Insert Lower side support **2** into the Leg section **B**.

b:



c: Insert Castors **C** into the Leg section **B**.

c:



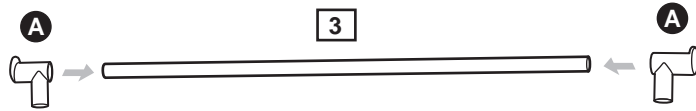
Assembly Instructions

Step 2

Fitting the Rail

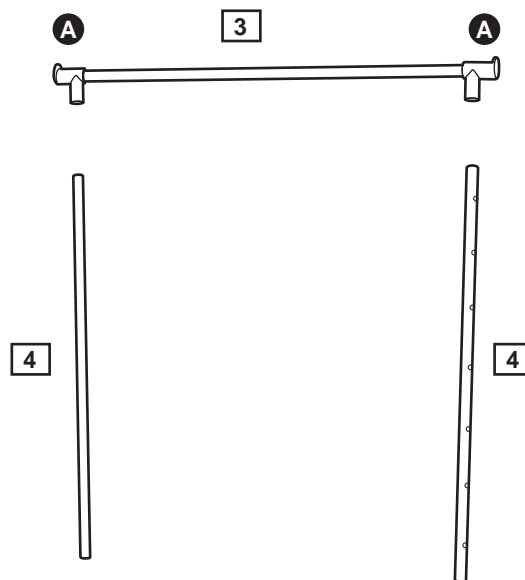
a: Insert Top crossbar **3** into the Connectors **A**.

a:



b: Insert Upper side support **4** into the Connectors **A**.

b:



Assembly Instructions

Step 3

Fitting the Hanger

a: Insert Hanger **1** into the Locks **D**.

b: Insert Locks **D** into the Lower side support **2**.

Insert Locks **D** into the bottom of Upper side support **4**.

Note: Align all the holes of the Lower side support **2**, Upper side support **4** & Locks **D** before locking.

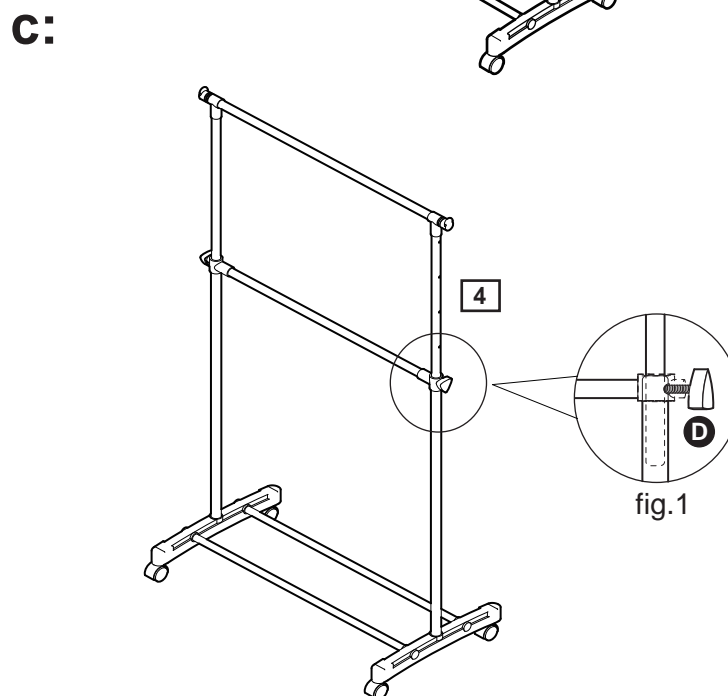
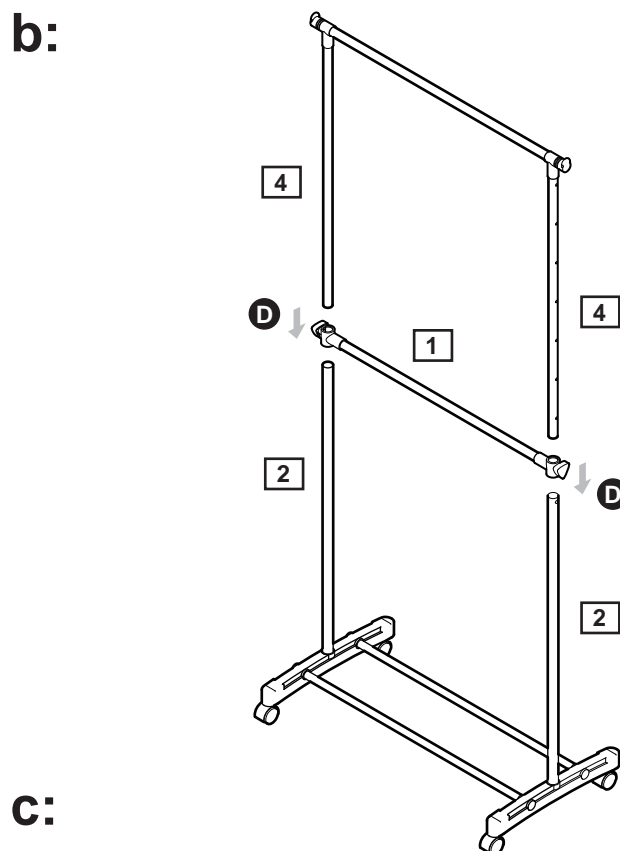
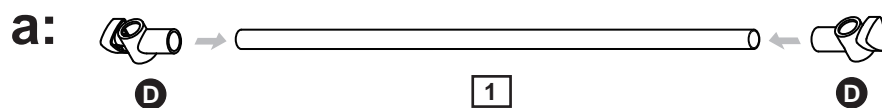
C: Set the height of the unit

Ensuring the Locks **D** are loosened, slide the Upper side support **4** to the desired height and tighten the Locks **D** to affix in position as shown in fig.1.

Adjustment Range:
99.5-166 cm.

Note: Please hold Upper side support **4** and pull downward. It will be fixed if locked or will glide downward if unlocked.

Assembly is complete.

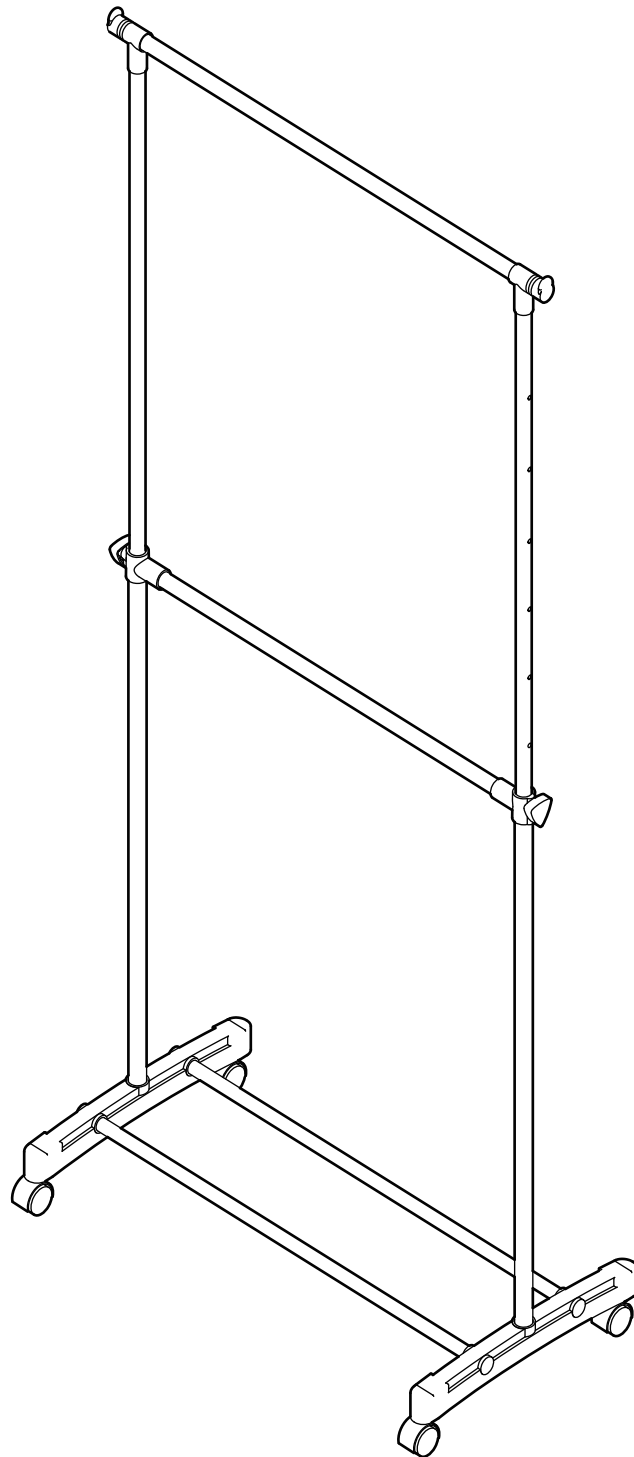


If you need help or have damaged or missing parts, call the **Customer Helpline: 08456 400800**

Grey and Chrome Tidy Rail with Two Rails

Assembly Instructions - Please keep for future reference

875/5027



Dimensions

Width - 84cm

Depth - 42cm

Height - 103/180.5cm

Important - Please read these instructions fully before starting assembly

If you need help or have damaged or missing parts, call the **Customer Helpline: 08456 400800**



Safety and Care Advice

Important - Please read these instructions fully before starting assembly

- Check you have all the components and tools listed on page 2.
- Remove all fittings from the plastic bags and separate them into their groups.
- Keep children and animals away from the work area, small parts could choke if swallowed.
- Make sure you have enough space to layout the parts before starting.

- Assemble on a soft level surface to avoid damaging the unit or your floor.
- Parts of the assembly will be easier with 2 people.
- If using power tools, please follow the safety instructions supplied with the tools.
- Assemble the unit as close to its final position (in the same room) as possible.



- We do not recommend the use of power drill/drivers **for inserting screws**, as this could damage the unit. Only use hand screwdrivers.
- Dispose of all packaging carefully and responsibly.

Care and maintenance

- Only clean using a damp cloth and mild detergent, do not use bleach or abrasive cleaners.
- From time to time check that there are no loose screws on this unit.
- This product should not be discarded with household waste. Take to your local authority waste disposal centre.

Components - Panels

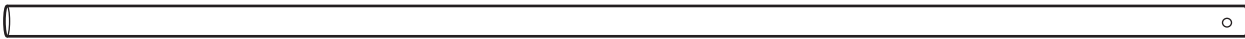
If you have damaged or missing components, call the **Customer Helpline: 08456 400800**

Please check you have all the panels listed below

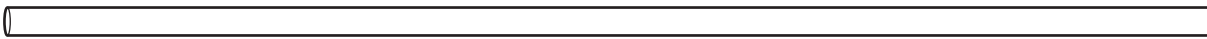
1 Hanger x 1



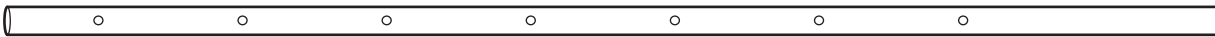
2 Lower side support x 2



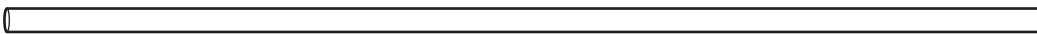
3 Top crossbar x 1



4 Upper side support x 2 (Inserted inside component 2)



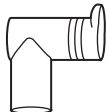



5 Bottom crossbar x 2



Components - Fittings

Please check you have all the fittings listed below

Note: The quantities below are the correct amount to complete the assembly. In some cases more fittings may be supplied than are required.

<p>A</p>  <p>Connector x 2</p>	<p>B</p>  <p>Leg section x 2</p>	<p>C</p>  <p>Castor x 4</p>
<p>D</p>  <p>Lock x 2</p>		

Assembly Instructions

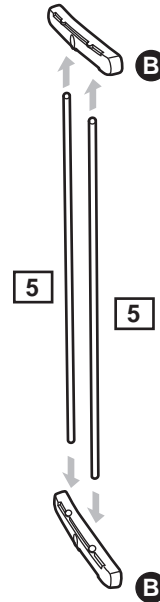
Step 1

Fitting the Leg section

Note: It would be useful to ask someone to help you at this stage.

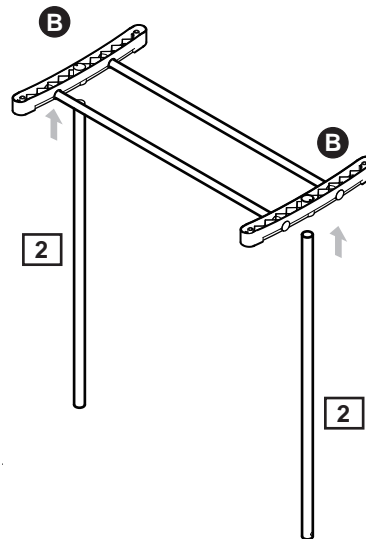
a: Insert Bottom crossbar **5** into the Leg section **B**

a:



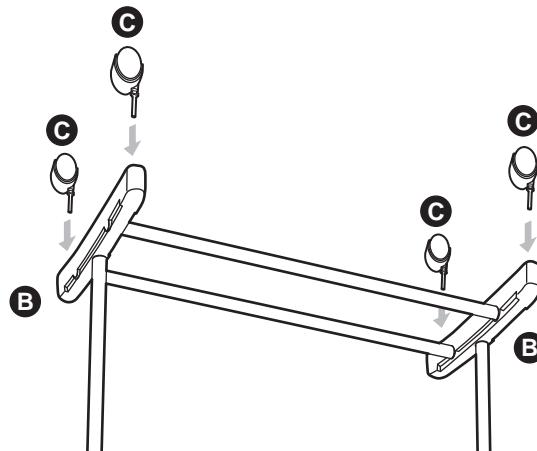
b: Insert Lower side support **2** into the Leg section **B**.

b:



c: Insert Castors **C** into the Leg section **B**.

c:



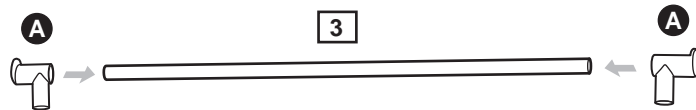
Assembly Instructions

Step 2

Fitting the Rail

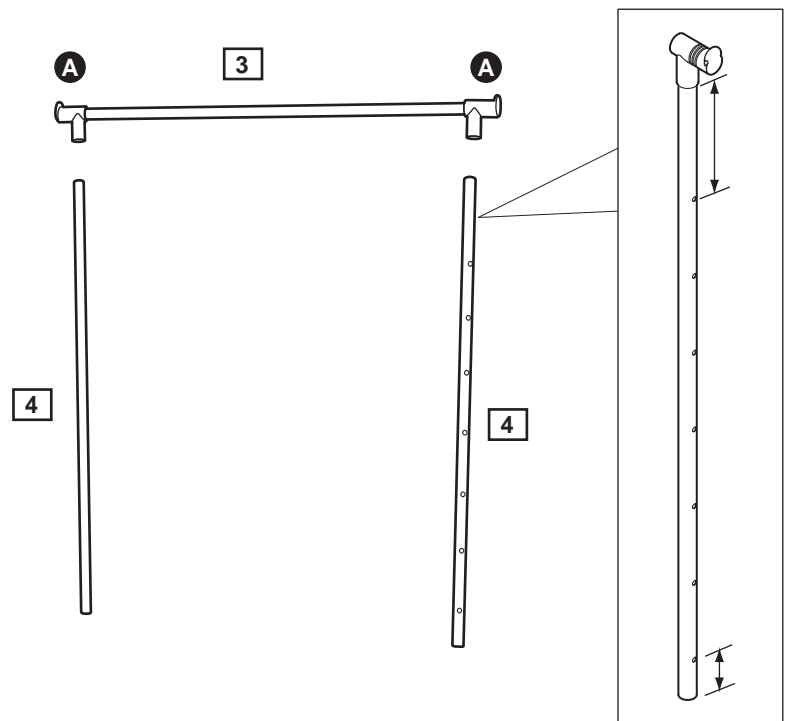
a: Insert Top crossbar **3** into the Connectors **A**.

a:



b: Insert the longer distance end of Upper side support **4** into the Connectors **A**.

b:



Assembly Instructions

Step 3

Fitting the Hanger

a: Insert Hanger **1** into the Locks **D**.

b: Insert Locks **D** into the Lower side support **2**.

Insert Locks **D** into the bottom of Upper side support **4**.

Note: Align all the holes of the Lower side support **2**, Upper side support **4** & Locks **D** before locking.

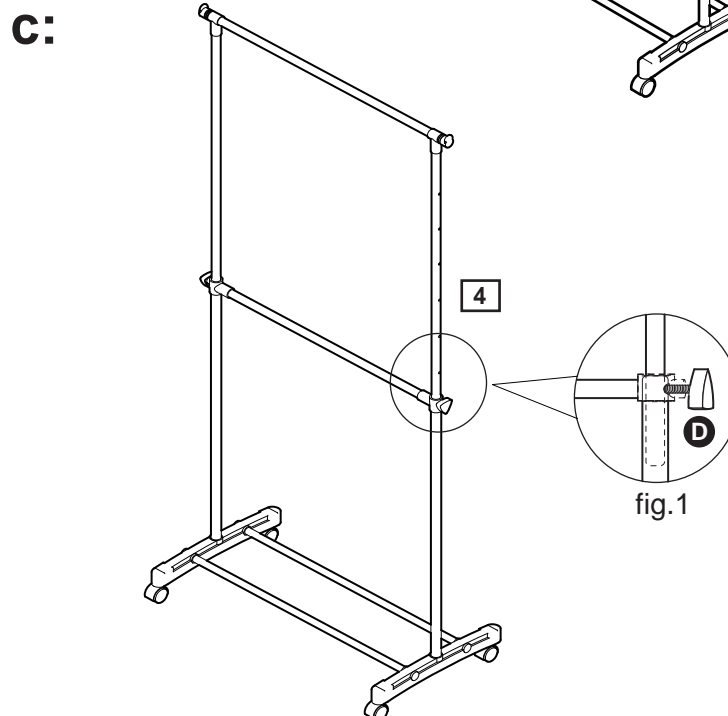
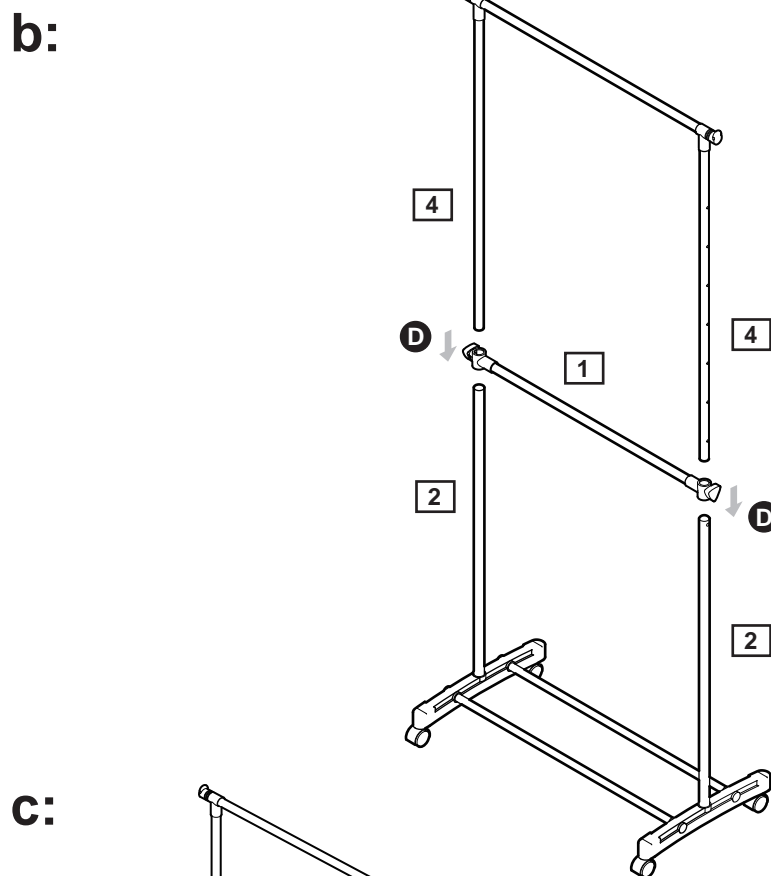
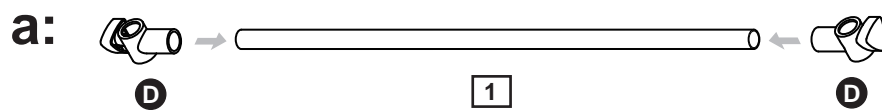
C: Set the height of the unit

Ensuring the Locks **D** are loosened, slide the Upper side support **4** to the desired height and tighten the Locks **D** to affix in position as shown in fig.1.

Adjustment Range:
103-180.5 cm.

Note: Please hold Upper side support **4** and pull downward. It will be fixed if locked or will glide downward if unlocked.

Assembly is complete.



If you need help or have damaged or missing parts, call the **Customer Helpline: 08456 400800**