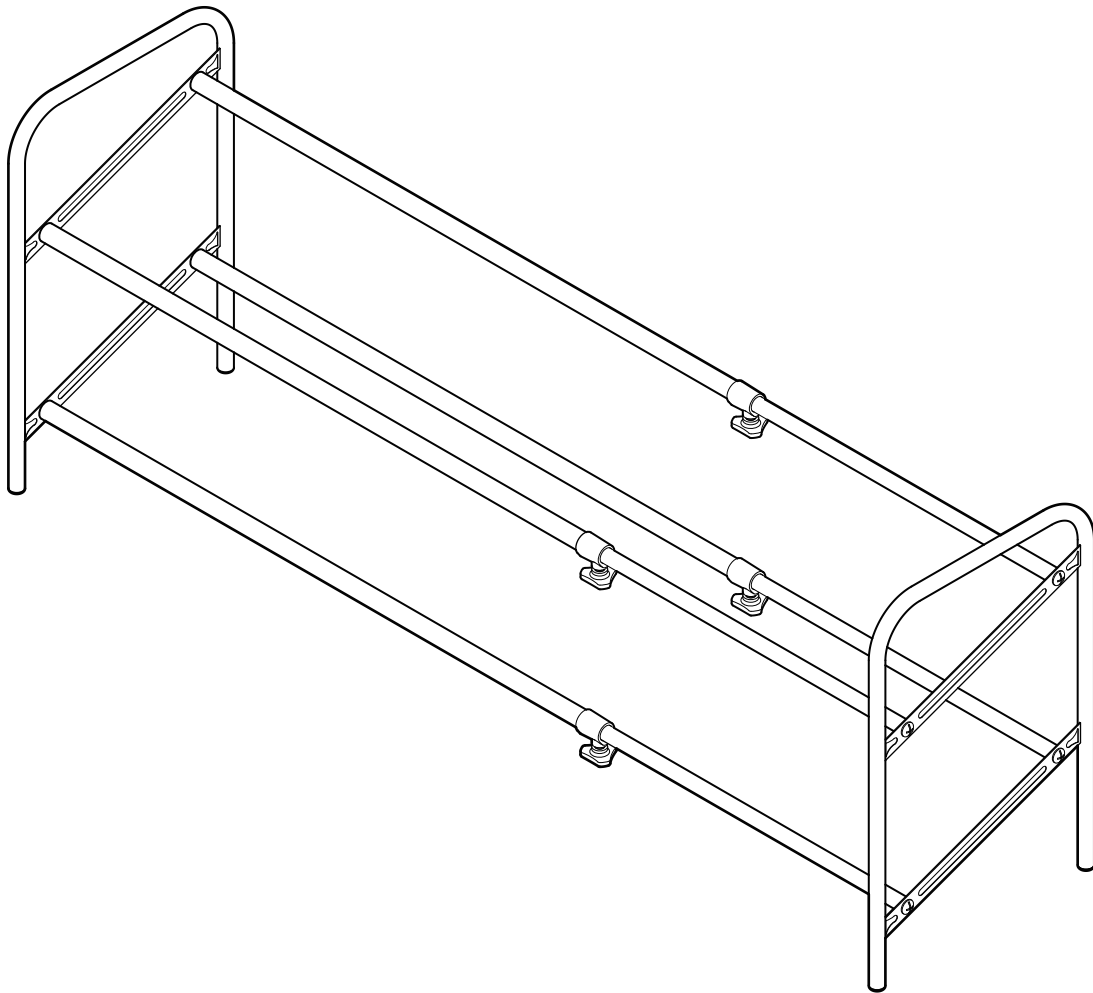


# 2 Tier Chrome Shoe Rack

Assembly Instructions - Please keep for future reference

875/4334



## Dimensions

Width - 63/117cm

Depth - 24.5cm

Height - 36cm

**Important** - Please read these instructions fully before starting assembly

If you need help or have damaged or missing parts, call the **Customer Helpline: 08456 400800**



# Safety and Care Advice

**Important** - Please read these instructions fully before starting assembly

- Check you have all the components and tools listed on page 1 and 2.
- Remove all fittings from the plastic bags and separate them into their groups.
- Keep children and animals away from the work area, small parts could choke if swallowed.
- Make sure you have enough space to layout the parts before starting.

- Assemble on a soft level surface to avoid damaging the unit or your floor.
- Parts of the assembly will be easier with 2 people.
- If using power tools, please follow the safety instructions supplied with the tools.
- Assemble the unit as close to its final position (in the same room) as possible.



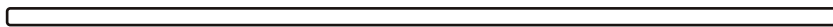
- We do not recommend the use of power drill/drivers **for inserting screws**, as this could damage the unit. Only use hand screwdrivers.
- Dispose of all packaging carefully and responsibly.

## Care and maintenance

- Only clean using a damp cloth and mild detergent, do not use bleach or abrasive cleaners.
- From time to time check that there are no loose screws on this unit.
- This product should not be discarded with household waste. Take to your local authority waste disposal centre.

## Components - Panels

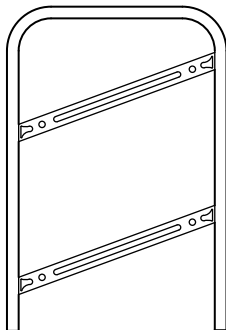
Please check you have all the panels listed below



**1** Tube x 4 (60cm)



**2** Tube x 4 (60cm)



**3** Side x 2 (24x37cm)



**4** Tube clamp x 4



**5** End cap x 4

# Components - Fittings

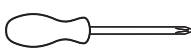
If you have damaged or missing components, call the **Customer Helpline: 08456 400800**

Please check you have all the fittings listed below

**Note:** The quantities below are the correct amount to complete the assembly. In some cases more fittings may be supplied than are required.

**A**   
15mm Screw x 8

## Tools required

 Phillips screwdriver  
(medium & large)

# Assembly Instructions

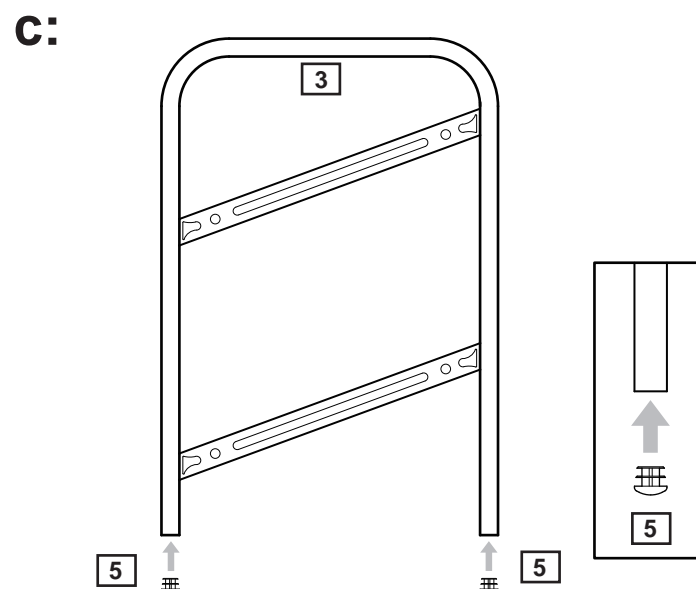
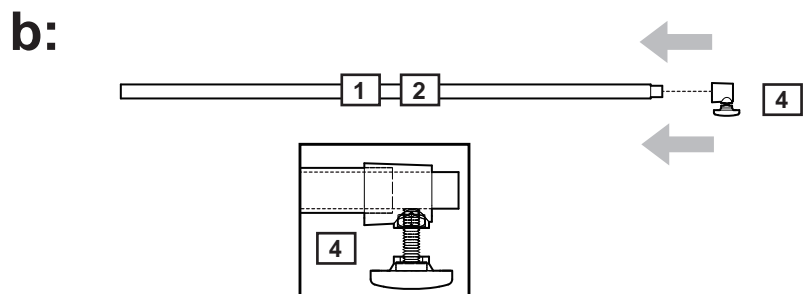
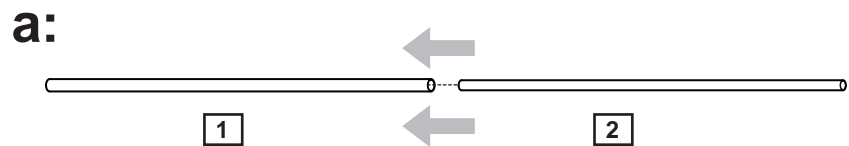
## Step 1

### Finishing the Tubes

**a:** Slide Tubes **2** into Tubes **1**.

**b:** Carefully fit the Tube clamps **4** onto the ends of assembled Tubes. Align the screw with the hole in the tube, then tighten the clamp enough to hold it in position, while still allowing the inner tube to slide.

**c:** Firmly insert End caps **5** into the ends of the Sides **3**.

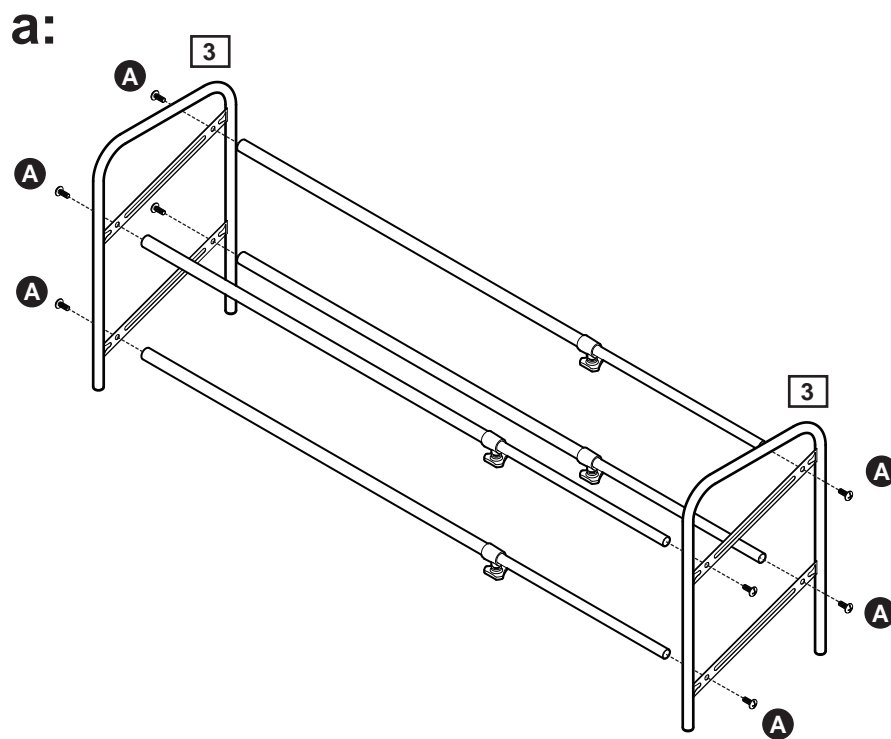


# Assembly Instructions

## Step 2

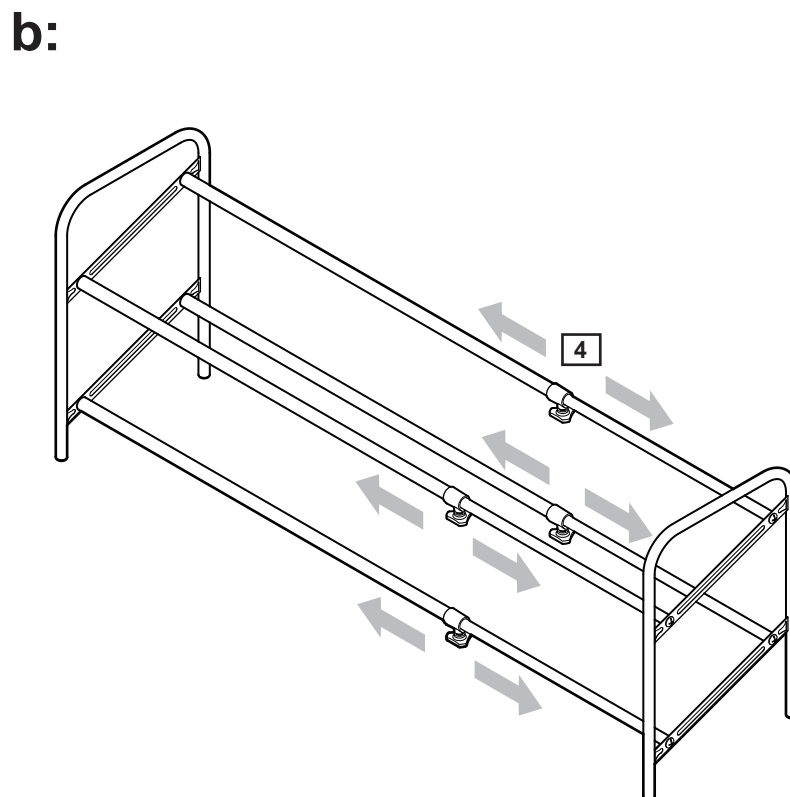
### Finishing the Unit

**a:** Use Screws **A** to fix the Sides **3** onto the Tubes. With help, place the unit in the intended position.



**b:** Set the width of the unit using the Tube clamps **4**. Loosen all 4 clamps. Slide the tubes to the desired width and tighten the clamps to fix in position.

Adjustment Range:  
63-117cm.



**Assembly is complete.**

If you need help or have damaged or missing parts, call the **Customer Helpline: 08456 400800**