

Dune 3 Seater

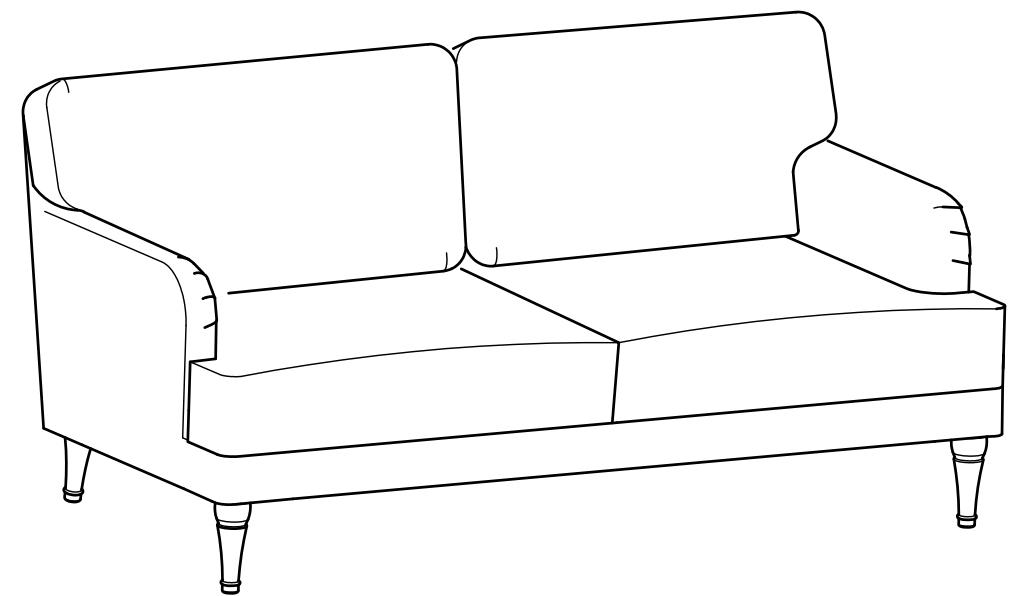
Assembly Instructions - Please keep for future reference

884 / 2150

872 / 4508

881 / 9712

888 / 7263



Dimension

Width - 175cm

Length - 87cm

Height - 85cm

Important - Please read these instructions fully before starting assembly

If you need help or have damaged or missing parts, call the **Customer Helpline:** Argos = 0345 601 2895



Safety and Care Advice

Important - Please read these instructions fully before starting assembly

- Make sure you have enough space to layout the parts before starting.
- Assemble the item as close to its final position (in the same room) as possible.
- Dispose of all packaging carefully and responsibly.
- Parts of the assembly will be easier with 2 people.
- Assemble on a soft level surface to avoid damaging the unit or your floor.

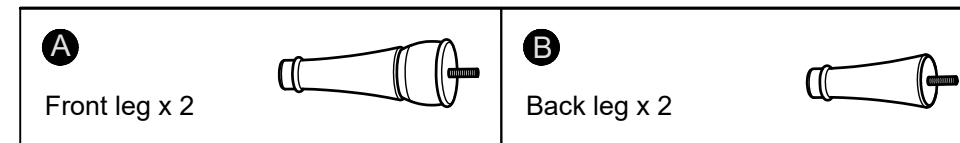
Care and maintenance

- Only clean using a damp cloth and mild detergent, do not use bleach or abrasive cleaners.
- This product should not be discarded with household waste. Take to your local authority waste disposal centre.
- We recommend regular Dry Cleaning or Professional Cleaning only, for this product, to prevent excessive build up of dirt and soiling.

Components - Fittings

Please check you have all the fittings listed below

Note: the quantities below are the correct amount to complete the assembly. In some cases more fittings may be supplied than are required.



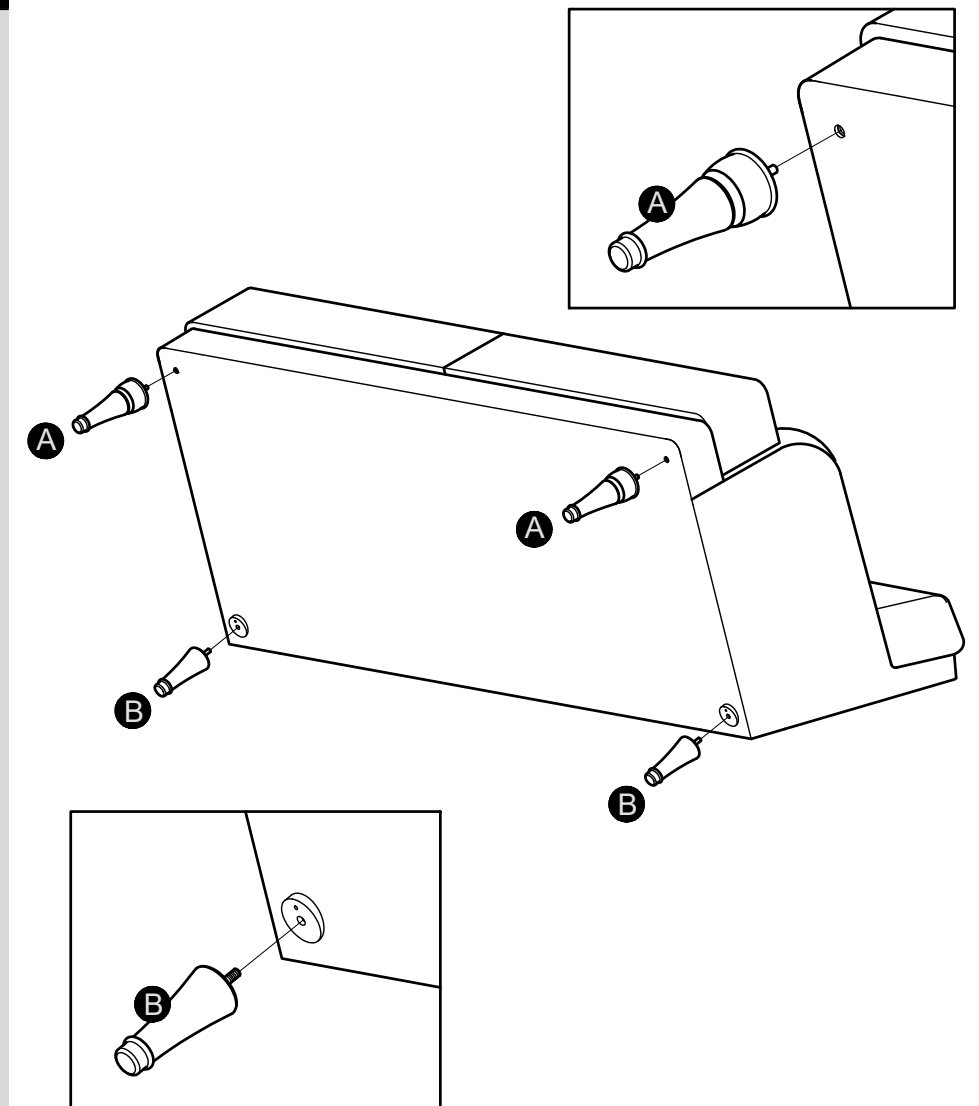
Assembly instructions

Step 1

Attaching legs

Insert Front legs **A** into the front holes and rotate to right.

Repeat this operation for Back legs **B**.



Assembly is now complete.