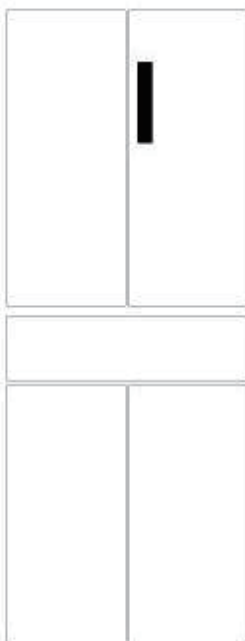


# Instruction Manual

**FIVE DOOR  
HN5D 72 B**





**WARNING:**

Risk of fire/flammable material

The symbol indicates there is a risk of fire since flammable materials used.

Taking care to avoid causing a fire by igniting flammable material.

Thank you for purchasing this product.

Before using your refrigerator, please carefully read this instruction manual in order to maximize its performance. Store all documentation for subsequent use or for other owners.

This appliance is intended for cooling and freezing food. It has been designed exclusively for use in household and similar applications such as kitchen areas in shops, offices and other working environments; farm houses and by clients in hotels, motels and other residential type environments as well as in bed-and-breakfast and catering business. It is not intended for commercial or industrial use.

This appliance must be used only for purposes of storage of food, any other use is considered dangerous and the manufacturer will not be responsible for any omissions. Also, it is recommended that you take note of the warranty conditions. Please, to obtain the best possible performance and trouble free operation from your appliance it is very important to carefully read these instructions. Failure to observe these instructions may invalidate your right to free service during the guarantee.

## **SAFETY INFORMATION**

- This guide contains many important safety information. Please, we suggest you keep these instructions in a safe place for easy reference and a good experience with the appliance.
- The refrigerator contains a refrigerant gas (R600a: isobutane) and insulating gas (cyclopentane), with high compatibility with the environment, that are, however, inflammable.
- **WARNING:** When positioning the appliance, ensure the supply cord is not trapped or damaged.
- **WARNING:** Do not locate multiple portable socket-outlets or portable power supplies at the rear of the appliance.
- Since the flammable insulation blowing gases are used, please contact the professional agent or our after-sale service to dispose of the appliance.
- Since the flammable refrigerants are used, please installed, handle, and service the appliance strictly according to the instruction and contact the professional agent or our after-sale service to dispose of the appliance.
- If the refrigerant circuit should be damaged: Avoid opening flames and sources of ignition. Thoroughly ventilate the room in which the appliance is situated.
- **WARNING!** Before first use Make sure there is no transport damage. Remove all packaging and keep out of children's reach.
- Wait at least two hours before installing the appliance in order to ensure the refrigerant circuit is fully efficient.
- Handle the appliance always with at least two persons because it is heavy.
- The appliance should be placed in a well-ventilated place. Ensure a space of at least 10 cm above and around the appliance.
- Never place the appliance in a damp area or location where it might be splashed with water. Clean and dry water splashes and stains with a soft clean cloth.
- Do not install the appliance in direct sunlight or in the near of heat sources(e.g. stoves, heaters).

- Install and level the appliance in an area suitable for its size and use.
- Keep ventilation openings in the appliance or in the in-built structure clear of obstruction.
- Make sure that the electrical information on the rating plate agrees with the power supply. If it does not, contact an electrician.
- The appliance is operated by a 220-240 VAC/50 Hz power supply. Abnormal voltage fluctuation may cause the appliance to fail to start, or damage to the temperature control or compressor, or there may be an abnormal noise when operating. In such case, an automatic regulator shall be mounted.
- Do not use multi-plug adapters and extension cables.
- Ensure that the power cable is not trapped by the refrigerator. Do not step on the power cable.
- When positioning the appliance, ensure the supply cord is not trapped or damaged.
- Do not locate multiple portable socket-outlets or portable power supplies at the rear of the appliance.
- Use a separate earthed socket for the power supply which is easily accessible. The appliance must be earthed.
- Only for UK: The appliance's power cable is fitted with 3-cord (grounding) plug that fits a standard 3-cord (grounded) socket. Never cut off or dismount the third pin (grounding). After the appliance is installed, the plug should be accessible.
- **WARNING:** Do not damage the refrigerant circuit.
- Daily use
- To ensure the safe preservation of foodstuffs, please comply with this instruction to use.
- The details on the most appropriate part in the compartment of the appliance where specific types of food shall be stored, considering the distribution of temperature that can be present in the different compartments of the appliance are in the below part.
- This appliance can be used by children aged from 8 years and above and persons with reduced physical, sensory or mental capabilities or lack of experience and knowledge if they have been given supervision or instruction concerning use of the appliance in a safe way and understand the hazards involved.
- Keep away children under 3 years of age from the appliance unless they are constantly supervised.
- Children aged from 3 to 8 years are allowed to load and unload refrigerating appliances.
- Children shall not play with the appliance.
- If cool gas or other inflammable gas is leaking in the vicinity of the appliance, turn off the valve of the leaking gas, open the doors and

windows and do not unplug a plug in the power cable of the refrigerator or any other appliance.

- Notice that the appliance is set for operation at a specific ambient range between 10 and 43°C. The appliance may not work properly if it is left for a long period at a temperature above or below the indicated range.
- Do not place unstable articles (heavy objects, containers filled with water) on top of the refrigerator, to avoid personal injury caused by falling or electric shock caused by contact with water.
- Do not pull on the door shelves. The door may be pulled slant, the bottle rack, may be pulled away, or the appliance may topple.
- Open and close the doors only with the handles. The gap between the doors and between the doors and the cabinet is very narrow. Do not extend your hands in these areas to avoid pinching your fingers. Open or close the refrigerator doors only when there are no children standing within the range of door movement.
- Do not store or use inflammable, explosive or corrosive materials in the appliance or in the vicinity.
- Do not store medicines, bacteria or chemical agents in the appliance. This appliance is a household appliance. It is not recommended to store materials that require strict temperatures.
- Never store liquids in bottles or cans (besides high percentage spirits) especially carbonated beverages in the freezer, as these will burst during freezing.
- Check the condition of food if a warming in the freezer has taken place.
- Do not set unnecessarily low temperature in the refrigerator compartment. Minus temperatures may occur at high settings. Attention: Bottles can burst.
- Do not touch frozen goods with wet hands (wear gloves). Especially do not eat ice lollies immediately after removal from the freezer compartment. There is the risk to freeze or the formation of frost blisters. FIRST aid: keep immediately under running cold water. Do not pull away!
- Do not touch the inside surface of the freezer storage compartment when in operation, especially with wet hands, as your hands may freeze onto the surface.
- Unplug the appliance in the event of a power interruption or before cleaning. Allow at least 7 minutes before restarting the appliance, as frequent starting may damage the compressor.
- **WARNING:** Do not use electrical devices inside the food storage compartments of the appliance, unless they are of the type recommended by the manufacturer.
- Maintenance / cleaning
- Make sure children are supervised if they carry out cleaning and maintenance.

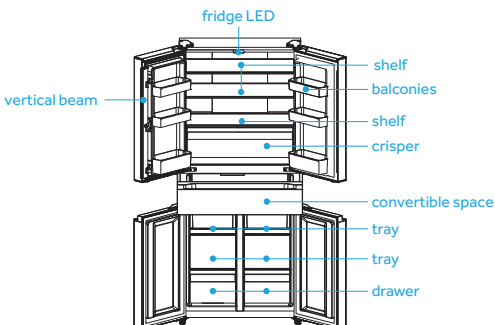
- Disconnect the appliance from the electrical supply before undertaking any routine maintenance. Allow at least 7 minutes before restarting the appliance, as frequent starting may damage the compressor.
- Hold the plug, not the cable, when unplugging the appliance.
- Do not clean the appliance with hard brushes, wire brushes, detergent powder, petrol, amyl acetate, acetone and similar organic solutions, acid or alkaline solutions. Please clean with special refrigerator detergent to avoid damage.
- Do not scrape off frost and ice with sharp objects. Do not use sprays, electric heaters like heater, hair dryer, steam cleaners or other sources of heat in order to avoid damage to the plastic parts.
- **WARNING:** Do not use mechanical devices or other means to accelerate the defrosting process, other than those recommended by the manufacturer.
- **WARNING:** Keep ventilation openings, in the appliance enclosure or in the built-in structure, clear of obstruction.
- If the supply cord is damaged, it must be replaced by the manufacturer, its service agent or similarly qualified persons in order to avoid a hazard.
- Do not try to repair, disassemble or modify the appliance by yourself. In case of repair please contact our customer service.
- Eliminate the dust on the back of the unit at least once in the year to avoid hazard by fire, as well as increased energy consumption.
- Do not spray or flush the appliance during cleaning.
- Do not use water spray or steam to clean the appliance.
- Do not clean the cold glass shelves with hot water. Sudden temperature change may cause the glass to break.
- Do not use electrical appliances inside the food storage compartments of the appliance, unless they are of the type recommended by the manufacturer.
- Do not store explosive substances such as aerosol cans with a flammable propellant in this appliance.
- The appliance should be cleaned according to the instruction for good maintenance and to avoid contamination of food. For positions, such as seams, slots, holes, and so on, the simple tools may be used to clean, such as soft brushes. If needed, detachable shelves, trays, drawers and similar accessories can be cleaned through removed from the appliance and washed in the basin.
- For hygiene requirement, contaminants such as the food/juice/fruit residues, especially trapped in small crevices must be clean up.
- This appliance is intended to be used in household and similar applications such as:
  - staff kitchen areas in shops, offices and other working environments;
  - farm houses and by clients in hotels, motels and other residential type environments;

- bed and breakfast type environments;
- catering and similar non-retail applications.
- The Refrigerating Chamber is mainly used for storing foods (vegetables, fruits and snacks) which are to be preserved for a short time or to be eaten from time to time.
- To avoid contamination of food, please respect the following instructions:
  - Opening the door for long periods can cause a significant increase of the temperature in the compartments of the appliance.
  - Clean regularly surfaces that can come in contact with food and accessible drainage systems.
  - Store raw meat and fish in suitable containers in the refrigerator, so that it is not in contact with or drip onto other food.
  - Two-star frozen-food compartments are suitable for storing pre-frozen food, storing or making ice cream and making ice cubes.
  - One-, two- and three-star compartments are not suitable for the freezing of fresh food.
  - If the refrigerating appliance is left empty for long periods, switch off, defrost, clean, dry, and leave the door open to prevent mould developing within the appliance.

## SAFETY INFORMATION

- If you are discarding an old product with a lock or latch fitted to the door, ensure that it is left in a safe condition to prevent the entrapment of children.
- This appliance can be used by children aged from 8 years and above and persons with reduced physical, sensory or mental capabilities or lack of experience and knowledge if they have been given supervision or instruction concerning use of the appliance in a safe way and understand the hazards involved.
- Children should not play with the appliance. Cleaning and user maintenance should not be made by children without supervision.

## PRODUCT OVERVIEW



## Convertible space

The convertible space is uniquely designed with a wide temperature range from -20 to 5. It can be fridge, 0 degree (default setup), -2 degree, -7 degree soft frozen mode (foods are still cuttable under this temperature), -18 degree and etc.

### Smart function

Refrigerator can realize the optimal cooling effect under this mode without manual adjustments.

## PREPARATION BEFORE USE

### Smart function

- 1.Remove all packages  
Remove all packing materials, including the foamed plastic seats and adhesive tapes for securing accessories
- 2.Refrigerator cleaning  
Clean the refrigerator before use
- 3.Standing still  
Following the leveling and cleaning, let the Refrigerator stand still for at least 2 hours before energized in order to insure it can operate normally.
- 4.Remove film  
If there covers film on the surface of the refrigerator, please completely remove it or the normal heat radiation effect of the refrigerator will be influenced, which results in the increasing of power consumption.
- 5.Energize  
When the refrigerator is firstly energized, it will automatically get into smart function, with the Smart icon lit.

Notice: Please take off the protector on the pins of the plug. It takes 2-3 hours before the refrigerator can be normally used. Don't put foods into the refrigerator right after the refrigerator is energized.

## Carriage

- 1.Unplug the refrigerator.
- 2.Take all food in it out, clean the interior and open the door to dry it.
- 3.Use tapes to fix all moving parts (shelves, boxes and drawers) in the fridge and freezer
- 4.Close doors of the refrigerator and use tape to get them fixed, to avoid the opening when moved.



5. When you are moving it to a new home, the refrigerator shall not be laid down or tilted for over 45° during transport. Otherwise, it may cause malfunctions.
6. To avoid the scrape of your floor, please cover the bottom part of the refrigerator. Please do not make horizontal movements forcibly.
7. Please do not hold doors, the top lid, and other tubes of the refrigerator during the transportation.

Under no circumstances shall the refrigerator be laid down !

## **Placement**

The refrigerator should be placed on solid ground. When a greater height is required, steady, hard and incombustible cushion block should be selected. If there is a slight sway, the adjustable black foot in the front of the refrigerator could be adjusted. Turn clockwise to raise up the Refrigerator.

Keep it away from heat source and sunlight to avoid malfunctions of the refrigerator.

There should be no obstacle in the vicinity of the refrigerator or inside the free built-in space. To keep the refrigerator ventilated, there should be at least 10 cm against the wall for each side.

Never place the Refrigerator in a damp place or with water splashes. Any water drops or other contaminations shall be wiped out by a soft cloth to prevent rusting or any impairment to the electrical insulation.

Do not use it under 5 degrees, do not use it outside or in the rain.

To avoid leaning forward, please turn the Adjustable Foot and make sure it contacts the surface completely. Never use the foamed plastic as a spacer or pad to lift up the Refrigerator.

## **Temperature-variable Chamber**

The temperature in this space is adjustable from -20 to 5. It can be 5 degree ( fridge), 0 degree (default setup), -2 degree, -7 degree soft frozen mode (foods can be still cut under this temperature), -18 degree and etc. 0 degree environment can extend the preservation time of fresh foods. It is used to store foods (sliced fish) that are to be eaten shortly and fruits and vegetables which need low temperature.

## **Freezing Chamber**

Freezing Chamber can reach very low temperature, which can preserve foods for a long period. Thus, it is highly recommended to put foods that need to be stored for a long time, but please refer to the preservation instruction on the package of the foods.

## **Power-freeze function**

When putting a large volume of foods into freezer, please use this function (please refer to relevant contents). If it is less than 1KG or it has been frozen, then it is not necessary.

## **Instructions and precautions of frozen foods**

Hot foods shall be cooled to ambient temperature before loaded.

Use packages or bags with dry surfaces to avoid being frozen together. Use odorless, nontoxic, airtight, waterproof and non-polluting package or bags, to avoid taint of odor or deterioration

Indicate the names, load dates and expiration dates of food on the packages or bags according to the manufacturer's suggestions to avoid any expiration.

To achieve easy, deep freezing and remain good quality, the food shall be divided into small and proper portions according to the required quantity for cooking, and each portion shall not exceed 2.5 kg.

In principle, the required quantity of food is to be taken out and unfrozen, and no unfrozen food shall be frozen again, or otherwise the quality of such food will be decreased, unless some food materials are cooked and frozen again as dishes

The fresh food loaded shall be in proper quantity within the Capacity of Refrigerator (refer to "Technical Data").

Please switch on power-freeze function 24 hours before freezing when you need to store large quantities of foods.

To earn a larger storage space, you can remove the drawers in the freezer.

## **Instructions and precautions of frozen foods**

Parameters of the LED lamp: 12V max 2W

The lamp adopts LED as its light source, featuring low energy consumption and long service life. If there is any abnormality, please contact the customer service to replace it. See CUSTOMER SERVICE.

## **Use of variable temperature function**

5: It can be used as refrigeration compartment between 0°C and 5°C

0: Sashimi to be eaten in a short period

-7: The meat can be preserved for 14 days, and fish and prawn for 7 days

Tips for -7:

Put the food into the chamber for a short time before frying to make the fried food more crispy.

The cold dish tastes better after being put into the chamber for a certain period.

The roasted sashimi and squid taste better after being frozen inside the chamber.

The salad tastes better when it is cooled in the chamber.

After being put into Soft Freezing, vegetables like spinach can be eaten, when slightly dipped in hot water

After a brief time storing in Soft Freezing, the fresh fruits will have the genuinely natural taste of freshness

-18: It can be used as freezing compartment

When it is settled at -7, the compartment becomes soft-freezing, which has benefits listed below:

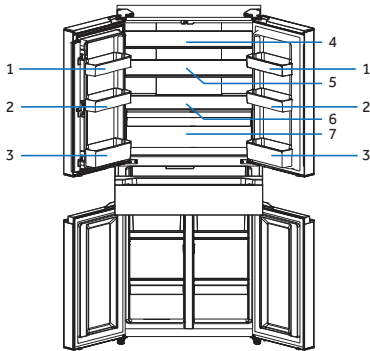
Unfrozen time: Foods in this environment do not need to be unfrozen manually or by microwave oven, which lower energy consumption and bring you an easier life.

Preserve nutrition and freshness: When the meat is unfrozen, there is no water mixing with blood coming out of meat, which keeps nutrition inside the food.

Easy to slice: Foods are easier to be sliced, with a fixed shape before and after the cutting. You can use spoon to take ground meat.

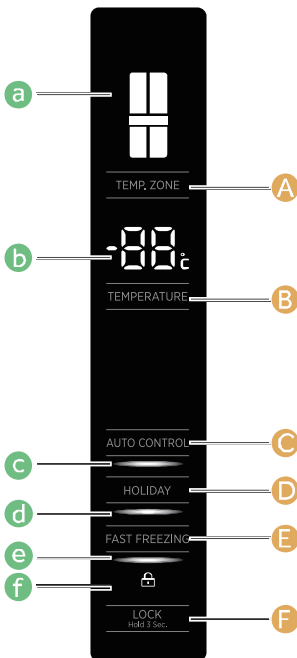
## **Energy saving tips**

- The appliance should be located in the coolest area of the room, away from heat producing appliances or heating ducts, and out of the direct sunlight.
- Let hot foods cool to room temperature before placing in the appliance.  
Overloading the spoil.
- Be sure to wrap foods properly, and wipe containers dry before placing them in the appliance. This cuts down on frost build-up inside the appliance. Appliance storage bin should not be lined with aluminium foil, wax paper or paper toweling.
- Liners interfere with cold air circulation, making the appliance less efficient.
- Organize and label food to reduce door openings and extended searches.  
Remove as many items as needed at one time, and close the door as soon as possible.



- 1.Butter, cheese, etc.
- 2.Eggs, cans, canned food, spices, etc.
- 3.Drinks and bottled foods.
- 4.Pickled foods, canned food, etc.
- 5.Meat products, snack foods, pasta, canned food, milk, tofu, dairy etc.
- 6.Cooked meat, sausages, etc.
- 7.dry fruits, butter oils, chocolate

## DISPLAY



## Introduction of Keys

- A. Compartment selection button: choose refrigerator, convertible and freezer compartment
- B. Temperature adjustment button: adjust the temperature of the chosen compartment
- C. Smart function button: press this button to activate or deactivate Smart

function

D. Holiday function button: press this button to activate or deactivate Holiday function

E. Power-freeze function button: press this button to activate or deactivate Power-freeze function

F. Panel lock button: Press the button for 3 seconds to lock or unlock the panel  
Instructions of indicators :

a. compartment indicator icon: The flashing part indicates that the corresponding compartment is chosen (The top part represents the refrigerator, the middle part represents the convertible space, the bottom part represents the freezer)

b. temperature indicator icon: The icon indicates the temperature of a chosen part

c. smart function indicator icon: The refrigerator is on smart mode when the icon is lit

d. holiday function indicator icon: The refrigerator is on holiday mode when the icon is lit

e. power-freeze indicator icon: The refrigerator is on power-freeze mode when the icon is lit

f. panel-lock indicator icon: The panel is locked when the icon is lit.

## **Function Instructions:**

### **Lock/unlock panel**

Automatic lock

This panel can be automatically locked if there is no button operated for 30 seconds.

Manual lock/unlock

When the panel is unlocked, press "Panel lock button" for 3 seconds, the panel-lock indicator icon turns on with a beep sound from the buzzer, and the panel is locked.

When the panel is locked, press "Panel lock button" for 3 seconds, the panel-lock indicator icon turns off with a beep sound from the buzzer, and the panel is unlocked.

Notice: When the panel is locked, smart function, holiday function, power-freeze function, compartment selection, temperature adjustment and etc. cannot be operated, please unlock the panel to operate.

## Smart function

When the panel is unlocked, press "Smart function button", the smart function indicator icon turns on, and the refrigerator is in smart mode.

When the panel is in smart mode, press "Smart function button", smart function indicator icon turns off, and the smart mode is deactivated.

Notice: When the refrigerator is in smart mode, you cannot adjust the temperature of the refrigerator and the freezer, or the smart function indicator icon will blink for 3 times with warning tones, reminding you that the refrigerator is in smart mode. When the refrigerator is in smart mode, setting holiday function or power-freeze function will automatically deactivate smart mode and switch the refrigerator to holiday or super-freeze mode.

## Holiday Function

When the panel is unlocked, press "Holiday function button", the Holiday function indicator icon turns on, and the refrigerator is in holiday mode.

When the panel is in holiday mode, press "Holiday function button", holiday function indicator icon turns off, and the smart mode is deactivated.

In holiday mode, the setup of convertible and freezer compartments will not be changed, but the refrigerator will be automatically set at 17 degrees, which will prevent the compartment from generating peculiar odor and save energy.

When holiday mode is deactivated, the temperature of refrigerator compartment returns back to the last setup before getting in holiday mode. If the last setup of the refrigerator is OF mode, then the default temperature of the refrigerator compartment will be 5 degree after the deactivation of holiday mode.

Notice: When the refrigerator is in holiday mode, you cannot adjust the temperature of the refrigerator, or the holiday function indicator icon will blink for 3 times with warning tones, reminding you that the refrigerator is in holiday mode. When the refrigerator is in holiday mode, setting smart function will automatically deactivate holiday mode and switch the refrigerator to smart mode.

## The setup of power-freeze function

With the panel unlocked, press the 'power-freeze' bottom, the 'power-freeze' indicator icon turns on and the refrigerator is in 'power-freeze' mode. When the panel is in 'power-freeze' mode, press 'power-freeze' bottom, the 'power-freeze' indicated icon turns off and the 'power-freeze' mode is deactivated. When 'power-freeze' mode is not deactivated by user, in the 'power-freeze' mode, the refrigerator will follow up the setup. The function will be deactivated

automatically if it has been in the mode for 50 hours.

The 'power-freeze' mode is designed to keep the nutrition of food. It could completely freeze the food in a shortest time. If you need to store a large amount of foods, it is recommended to set 'power-freeze' mode 24 hours earlier to make the temperature lower and then put the foods in. The cooling speed of the freezer is increased. It can freeze the food faster and keep the nutrition better.

Attention: The temperature of freezer cannot be changed in 'power-freeze' mode, or the power-freeze function indicator icon will blink for 3 times with warning tones, reminding you that the refrigerator is in power-freeze mode. When the refrigerator is in power-freeze mode, setting smart function will automatically deactivate power-freeze mode and switch the refrigerator to smart mode.

## **The setup and adjustment of temperature**

When the display panel lights up, one of the three parts of the compartment indicator icon blinks with the rest two parts lighting. The blinking part indicates the chosen compartment (The top part represents the refrigerator, the middle part represents the convertible space, the bottom part represents the freezer). The blinking part will automatically switch to the next one, with the temperature indicator icon showing the real temperature of the corresponding compartment.

## **The adjustment of refrigerator temperature**

When the panel is unlocked, tap compartment selection button to make the refrigerator part blink, then press temperature adjustment button. The temperature indicator icon starts to blink with a beep sound, and we are ready to set up. For each tap of the temperature adjustment button, you will hear a beep sound and the temperature of the refrigerator goes down by 1 degree. The change of temperature level follows up the sequence which is "05,04,03,02,01, OF,09,08,07,06,05". The temperature will be settled with the stop of blinking if there is no button operation for 5 seconds. When the refrigerator is on OF level, refrigerator is turned off. When you change the temperature to other level, refrigerator turns on and starts refrigeration.

Notice: When the refrigerator compartment is turned off, its refrigeration will stop. Please take everything out from it. When the refrigerator compartment is turned off, starting smart function or holiday function will automatically turn on the refrigerator compartment.

## **The adjustment of the temperature of convertible compartment**

When the panel is unlocked, tap compartment selection button to make the convertible part blink, then press temperature adjustment button. The temperature indicator icon starts to blink with a beep sound, and we are ready to set up. For each tap of the temperature adjustment button, you will hear a beep sound and the temperature of the convertible compartment goes down by 1 degree. The change of temperature level follows up the sequence which is: "00,01,02,03,04,05,06,07,08,09,10,11,12,13,14,15,16,17,18,19,20,OF,05,04,03,02,01,00". The temperature will be settled with the stop of blinking if there is no button operation for 5 seconds. When the convertible compartment is on OF level, it is turned off. When you change the temperature to other level, convertible compartment turns on and starts refrigeration. Notice: When the convertible compartment is turned off, its refrigeration will stop. Please take everything out from it.

## **The adjustment of freezer temperature**

When the panel is unlocked, tap compartment selection button to make the freezer part blink, then press temperature adjustment button. The temperature indicator icon starts to blink with a beep sound, and we are ready to set up. For each tap of the temperature adjustment button, you will hear a beep sound and the temperature of the freezer compartment goes down by 1 degree. The change of temperature level follows up the sequence which is "-18,-19,-20,-21,-22,-23,-24,-15,-16,-17,-18". The temperature will be settled with the stop of blinking if there is no button operation for 5 seconds.

## **Display panel control function**

When doors are closed, the display screen will turn off in 30 seconds if there is no button operation. It will light it up when pressing any button or opening the door. Opening-door alarm

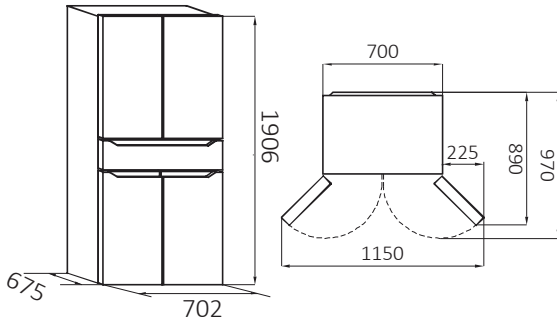
When the refrigerator detects that the door has been opened for more than 1 minute, it will beep 3 times with a 0.5-second gap. If it is still open, the same alarm will go off every 30 seconds until the door is closed or the door has been opened for more than 7minutes, with the LED will switched off.

## **Display panel control function**

This refrigerator is equipped with Power-off memory function. The status at the moment of power-off will be recorded. The refrigerator will still follow up the setup and the status it recorded before the power-off once it is energized again. The panel lock function will not be recorded. The panel will be unlocked when it is energized again.



Dimension: D675×W702×H1906(mm)



## Q&A

### No refrigeration

Make sure the refrigerator is connected properly (plug, socket, fuse)  
Whether the power supply voltage is too low.

### The appliance makes sounds

The liquid refrigerant flows or the evaporator produces boiling sound due to evaporation of refrigerant.

The refrigerator is not stable at first use, it's normal to make a hum noise

The evaporator and refrigerant pipelines inside produce creaking sound due to expansion or shrinkage.

When the refrigerator starts and stops working, the elements may cause clatter sound.

### Poor refrigeration effects

Whether the temperature is set excessively high.

Door is frequently opened or door is opened for a long time or door isn't closed tightly.

Whether it is exposed to direct sunlight or close to stove or gas cooker.

Poor ventilation, leave enough space to allow for proper ventilation.

### Excessively loud noise

Whether the floor is soft or flexible and whether the refrigerator is laid balanced.

The appliance touches some object around it.

## **The refrigerator button cannot be operated**

Please check if the refrigerator is powered off.

Please check if there is wrong operation, follow the "function Introduction" button.

## **The cabinet of the refrigerator produces heat**

The front and side faces of the refrigerator dissipate heat.

Such places may become especially hot in summer or when it was initially started.

## **The compressor runs frequently or runs for a long period of time**

At first use, it's normal to run for a long time.

Too much food has been stored at one time to refrigerate.

The door has been opened too frequently under hot weather.

A door of the appliance is not tightly closed.

The temperature setting for the freezer compartment is too low, refer to "function Introduction".

## **The interior lighting does not work**

Whether mains plug is not connected in the mains socket.

Whether the LED-lamp is out of order.

## **No refrigeration of fridge and convertible compartment**

The fridge and convertible compartment can be powered off separately, please confirm whether it is in the OFF gear.

## **Care and Cleaning**

### **During defrosting**

#### **Defrosting**

Warning! This is an air-cooled and frost-free refrigerator with automatic defrost and water produced by defrost is stored in evaporating pan and eventually evaporates, so there is no need for manual defrost.

Warning! Except for means recommended by the manufacturer, no mechanical equipment or

other means shall be adopted to accelerate the defrost process.

Food left in the refrigerator can produce bad odors, so the refrigerator must be cleaned regularly:

For safety, please unplug the power cord before cleaning.

Use a soft towel or a sponge dampened in warm water (can be added with a neutral detergent) to clean the refrigerator.

Warning! Do not use stiff brush, steel brush, abrasives (e.g.: toothpaste, cleanser, etc.), organic solvent (e.g.: gasoline, banana oil, acetone, ethanol, etc.), hot water, acid or alkaline to clean your refrigerator.

Wipe the surface of the refrigerator with a dry towel.

Warning! Do not directly sprinkle water onto the refrigerator, since it will easily cause rust, electric leakage and faults.

When the inner is stained with cooking oil or seasoning, please wipe it off in time. Always keep clear of the dust on the back and left and right sides of the refrigerator to improve heat dissipation.

Door seal strips are easily soiled, please be careful to keep them clean.

Warning! It is not allowed to damage the refrigeration tubes during maintenance and cleaning.

The appliance should be clean every four weeks for good maintenance and to prevent bad stored food odors:

(1) Wipe the inside and outside of the refrigerator with a soft towel or sponge warm water (neutral detergent can be added).Part includes bottle seat, shelf, drawer, etc.

(2) If liquids are accidentally discharged, all contaminated components should be removed and placed under the tap for straightening.After washing, wipe and dry.

(3.)if there is any frost like substance (such as cream, melted ice cream) accidentally overflowing, please first pollute it. All the parts are taken out and soaked in warm water at about 40 C for a period of time before being taken under the tap.Rinse and wipe clean after rinsing.

(4.)For the smaller parts inside or on the parts of the refrigerator, if there is something unexpectedly entering, it is recommended to use the smaller parts.Wash with soft brush or used toothbrush.

## **Non-use for a longer period**

After a power outage, even in the summer, within a few hours, you can save food without any problems.

After the power outage, do not put new food, try not to open the refrigerator door.

If you know the power will outage, you should make more ice cubes, and use a container that does not leak water and place it in the upper part of the interior.

Warning! Due to power outage or other failures, the temperature in the freezer will rise, which will shorten the shelf life of the food and damage the taste of the food.

If the appliance is not used for an extended period of time, and you will not use only the Holiday-function or the fridge off function for the refrigerator:

Take out the food.

Unplug the power cord.

Empty and clean the water tank

Clean the appliance as described above.

Keep the doors open to prevent the creation of bad odors inside.

Notice! Turn the appliance off only if strictly necessary

Warning! Under normal circumstances, do not disable the refrigerator, so as not to affect the life of the refrigerator. After disconnecting the power supply, keep at least 7 minutes apart before plugging in again.

## SCRAPPING OLD APPLIANCES



This appliance is marked according to the European directive 2012/19/EU on Waste Electrical and Electronic Equipment (WEEE).

WEEE contains both polluting substances (which can cause negative consequences for the environment) and basic components (which can be re-used). It is important to have WEEE subjected to specific treatments, in order to remove and dispose properly all pollutants, and recover and recycle all materials.

Individuals can play an important role in ensuring that WEEE does not become an environmental issue; it is essential to follow some basic rules:

WEEE should not be treated as household waste.

WEEE should be handed over to the relevant collection points managed by the municipality or by registered companies. In many countries, for large WEEE, home collection could be present.

In many countries, when you buy a new appliance, the old one may be returned to the retailer who has to collect it free of charge on a one-to-one basis, as long as the equipment is of equivalent type and has the same functions as the supplied equipment.

Taking care to avoid causing a fire by igniting flammable material.

## Conformity

By placing the mark **CE** on this product, we are confirming compliance to all relevant European safety, health and environmental requirements which are applicable in legislation for this product.

**CANDY HOOVER GROUP S.R.L.**

Via Privata Eden Fumagalli  
20861 Brugherio Milan Italy