

Shelving Assembly Instructions

Assembly & User Instructions - Please keep for future reference

867-3721

Shelf Dimensions:
150H x 80W x 30D cm

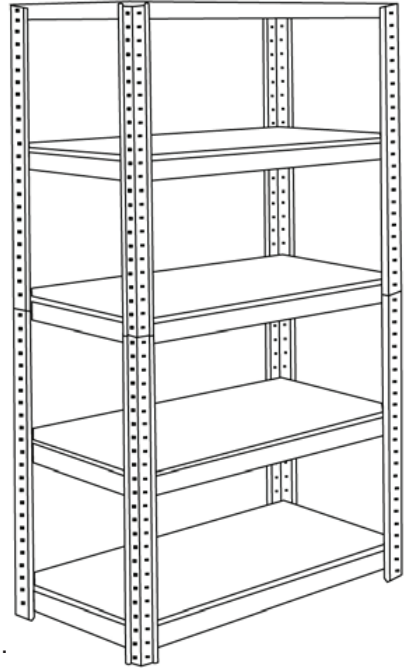
Important

MAX. Load per Shelf: 150kg
MAX. Load for whole unit: 750kg

Tools Required:
A Mallet (not included)
B Glove (not included)



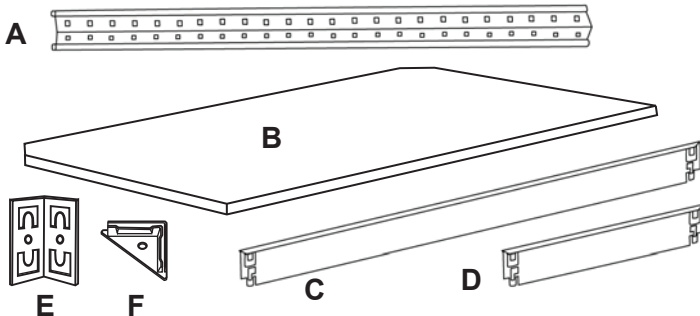
Tool for assembly



IMPORTANT SAFETY WARNINGS

- Please read the instructions before assembly.
- 2 people are recommended for assembly.
- BE CAREFUL of sharp edges when assembling.
- DO NOT stand on this product or use as a ladder.
- DO NOT alter this product in any manner that is not intended. This may cause product damage or personal injury.
- Position the product on a level surface.
- The maximum loaded weight for each shelf is no more than 150kg. Evenly distributed.
- When loading shelves, place heavier items on the lower shelves, distributing the load evenly.

Components



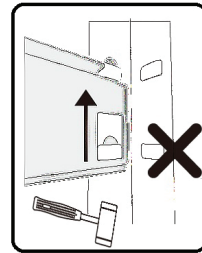
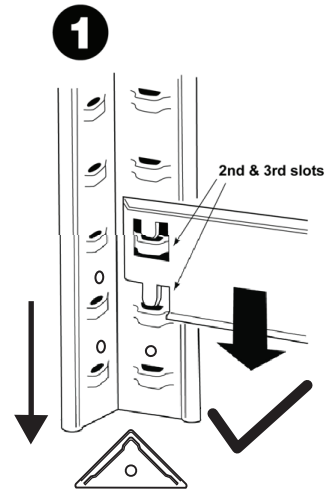
PARTS LIST

- A. Posts (8)
- B. Shelves (5)
- C. Long Apron (10)
- D. Short Apron (10)
- E. Connector (4)
- F. Feet and Cap (8)

Important:

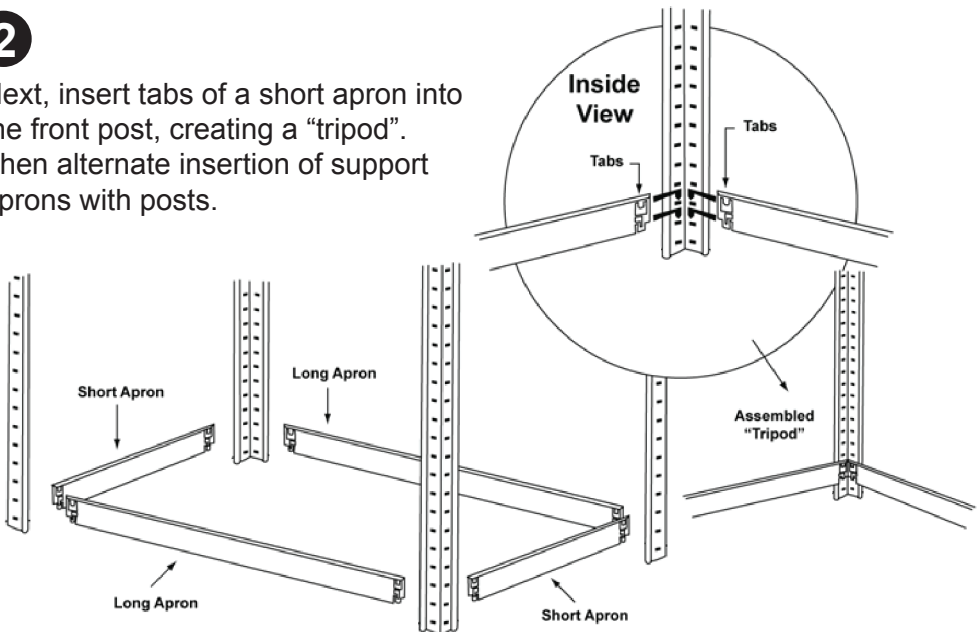
Be sure to line up and match hole pattern on all posts prior to assembly.

- Place post upright, Install the feet(part F) to protect floor.
- Insert tabs on long shelf support apron into slots on post.
- Press on tabs with fingers to guide into slots.
- Push down or gently tap apron corner with rubber mallet to extend tabs through slots.
- It is recommended that the bottom shelf aprons be placed in the second and third slots from the bottom.
- To ensure stability of the vertical unit, do not place bottom shelf aprons any higher than the sixth slot.
- Incorrect installation will result in incorrect results.



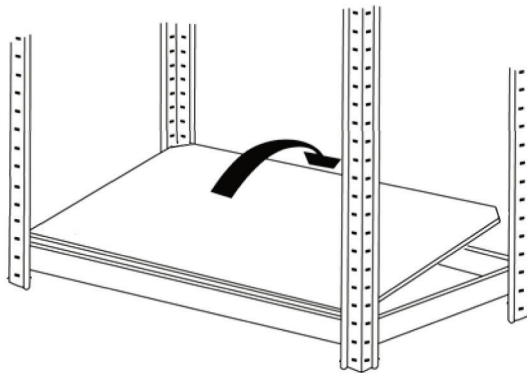
2

Next, insert tabs of a short apron into the front post, creating a "tripod". Then alternate insertion of support aprons with posts.



3

Place shelves starting at the bottom as you build each layer. Gently tap the top of the shelf around each corner with a rubber mallet until tabs are flush with slots. This unit can be assembled upright (vertically) or side-by-side (horizontally).

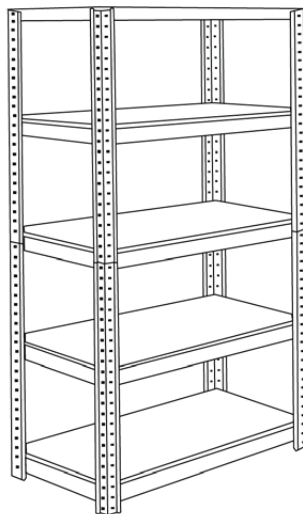
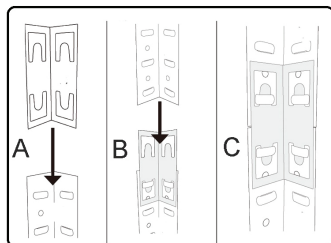
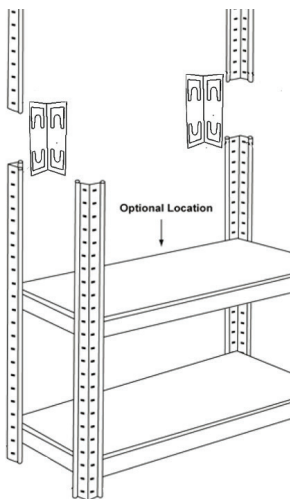
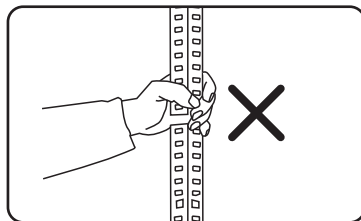


For Vertical Assembly

Attention please:

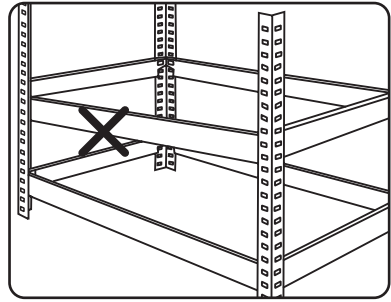
Please wear the gloves when insert the connectors to avoid any harm for your hands And don't put your hands in the connection position.

- The vertical direction is assembled with the connector (E), as shown in the figure.
- Repeat this process until all four columns are assembled.
- Continue to install the shelves until they are finished.



IMPORTANT NOTICE

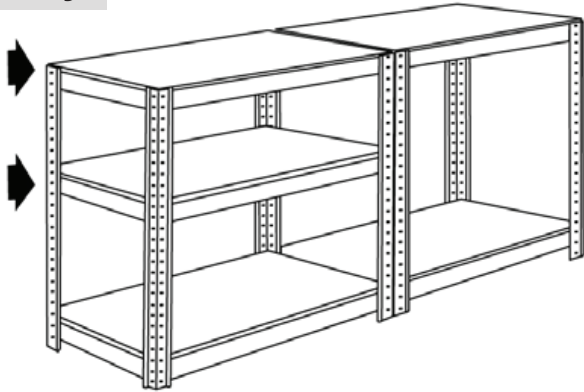
- When assembling your unit it is recommended that you place the top shelf aprons in the first and second slots from the top.
- When moving assembled unit, always handle by the lower half. Recheck all apron tabs/slots being sure they are securely seated.
- To ensure stability of the unit, do not place the top shelf aprons any lower than the sixth slot. This applies to both vertical and horizontal assembly.
- The apron must be level, if not will result in assembly failure.



For Horizontal Assembly

First and second slots
recommended

Optional Location



Care and Maintenance

- Only clean using a damp cloth and mild detergent, do not use bleach or abrasive cleaners.
- This product should not be discarded with household waste. Take to your local authority waste disposal centre.
- From time to time check that there are no loose fitting or parts on this unit.
- Do not overload the shelf.