

# BUSH

## Instruction manual

WMNSINT612W

WMNSINT714W



You'll soon be enjoying your new washing machine.

It all begins here, with your instructions. Don't worry, there's nothing too technical coming up. Just simple, step-by-step guidance to get you up and running quickly. Sound good? Then let's get started.

## Help and Guidance

We're here to help you get the most from your washing machine. Should you require any guidance, a simple solution can often be found online at:

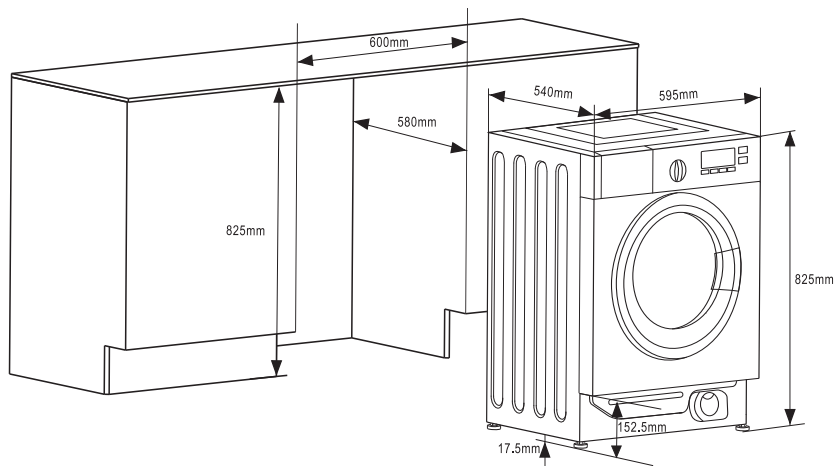
[www.argos-support.co.uk](http://www.argos-support.co.uk)

If you still require further assistance, call one of our experts on **0345 257 7271**.

# Built-In Installation

## Overview

Before installed the washing machine, please read this Built-In instructions carefully and keep it for future reference. This appliance has been designed to be built into the kitchen furniture. The recess should have the dimensions shown in Fig.

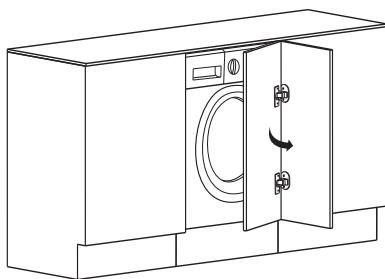


## **⚠ WARNING**

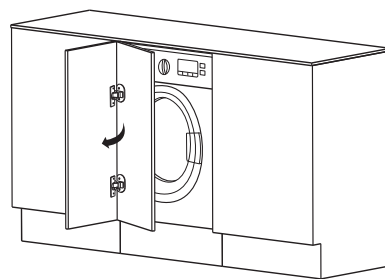
When installing the appliance into the kitchen ensure furniture ,if possible, the hoses are placed in either of the two recesses on the back of the appliance. This will help to prevent the hoses from becoming kinked or trapped.

Preparation and assembly of the door

The appliance is originally prearranged for the assembly of a door opening from right to left or from left to right.



The door is open from left to right



The door is open from right to left

# Built-In Installation

## Appendix

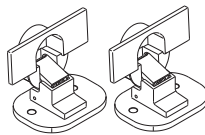
1. Self-tapping screws (ST4\*12)
2. Self-tapping screws (M5\*12)
3. Hinges
4. Counter magnet
5. Spacer
6. Fixed position paper



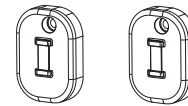
①



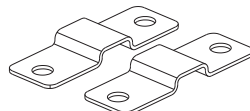
②



③



④



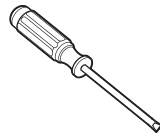
⑤



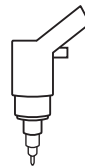
⑥

## Tools

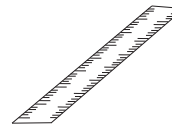
1. Screw Driver
2. Automatic Driver
3. Ruler
4. Pencil



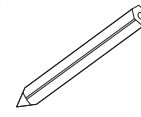
①



②



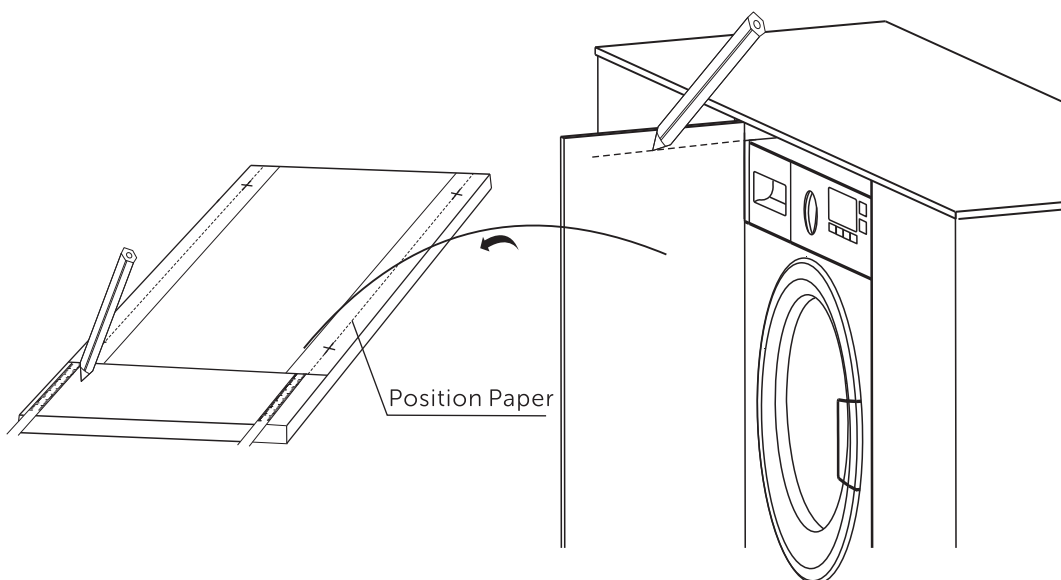
③



④

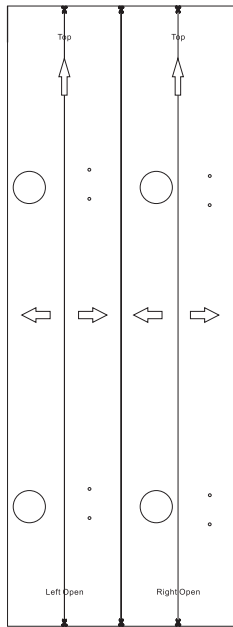
## Preparation the Fixed position paper

1. Make the mark on the door according to the cupboard and washing machine height.

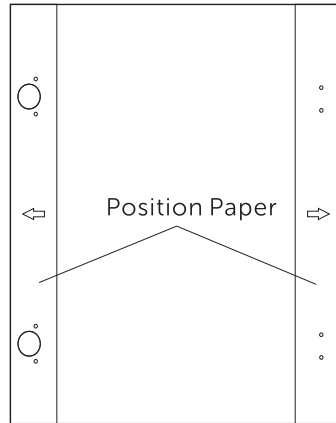


# Built-In Installation

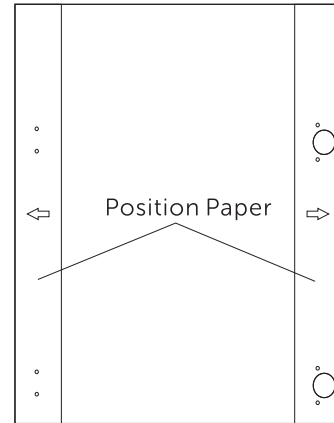
2.Fixed position paper on the door.



Shear fixed position paper



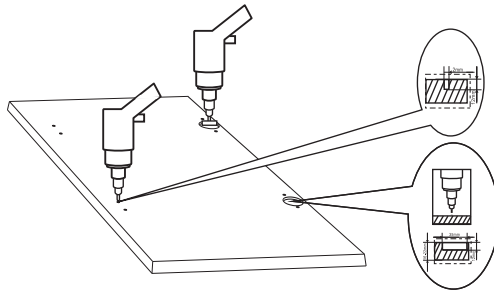
Paste on the Door(The door on the right)



Paste on the Door(The door on the left)

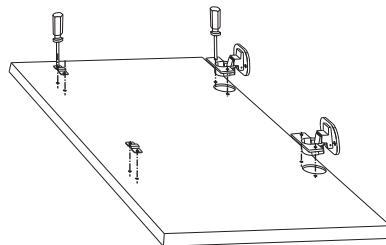
Drill hole on the door

1. Drill the hole on the door according to the fixed position paper.



2. Installation the hinges and spacer

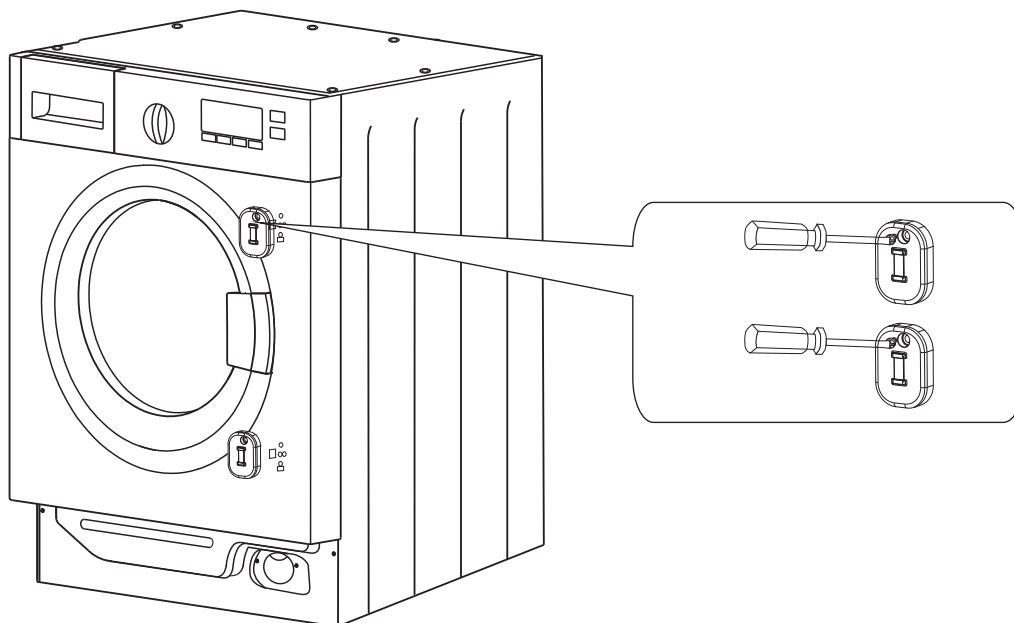
Fix the hinges to the machine by means of the ST4\*12 screws. The hinges can be adjusted to compensate for possible uneven thickness of the door.



# Built-In Installation

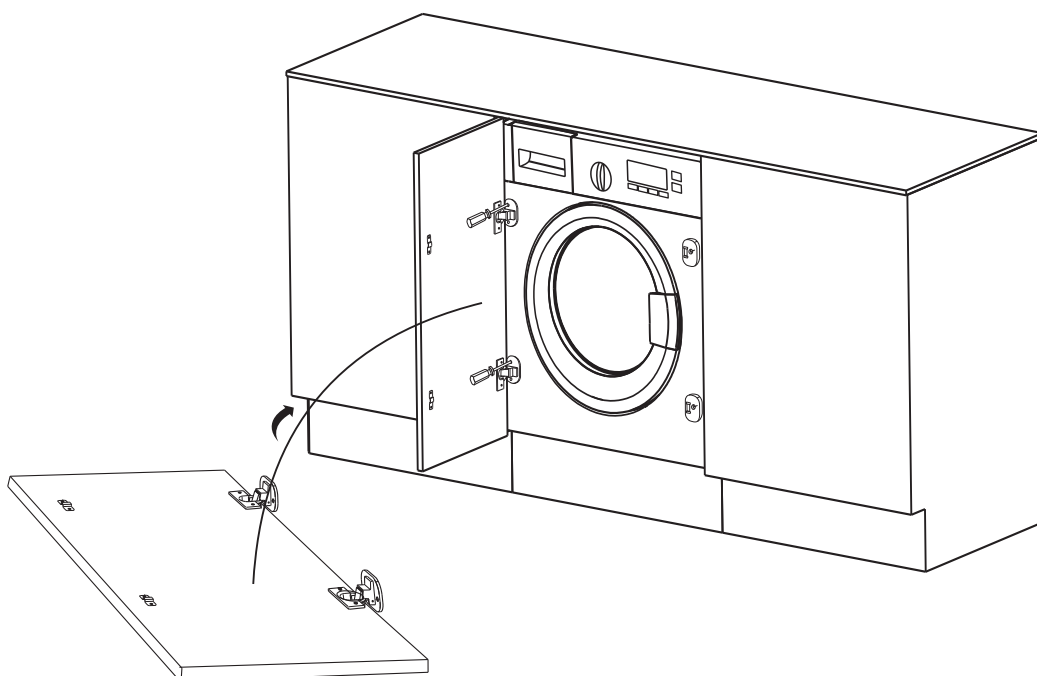
## Installation the counter magnet

The appliance is prearranged for a magnetic closure of the door. To enable a correct operation of this device, it is necessary to screw the counter-magnet into the inner side of the door.



Product support

## Installation the door





# BUSH

Contact:

[www.argos-support.co.uk](http://www.argos-support.co.uk)

Helpline: 0345 257 7271