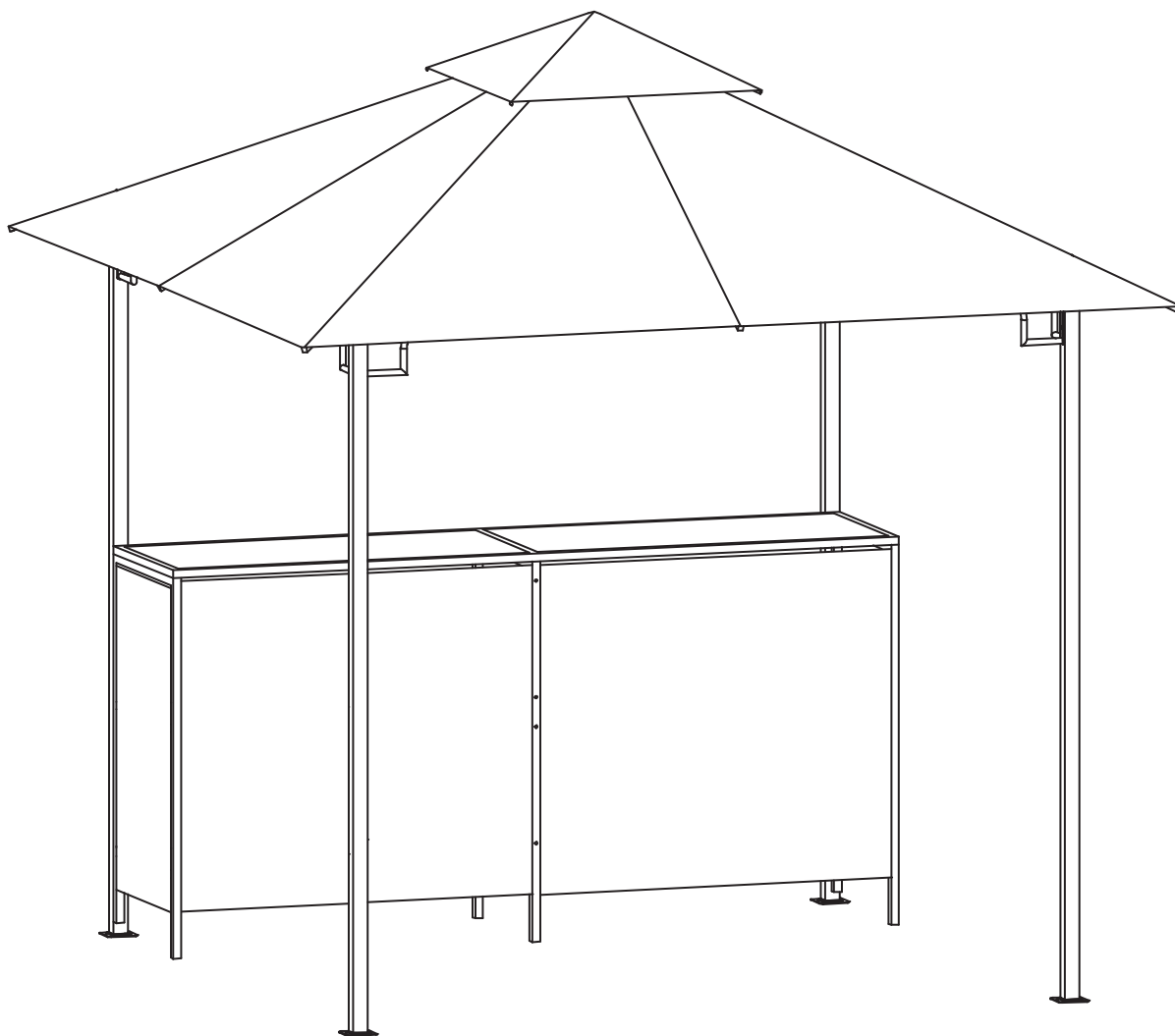


Bar Gazebo & Table

Assembly Instructions - Please keep for future reference

872/9314



Dimensions

Width - 245cm

Depth - 245cm

Height - 250cm

Important – Please read these instructions fully before starting assembly

If you need help or have damaged or missing parts, call the

Customer Helpline: Argos = 0345 6400800

For further assistance please visit <http://www.argos-support.co.uk>

Address: 489-499 Avebury Boulevard Saxon Gate West, Central Milton Keynes Bucks, MK9, 2NW



IMPORTANT SAFETY INSTRUCTIONS

Read all instruction before using and keep for future reference

- Read these instructions carefully and familiarise yourself with the procedure before assembling the unit.
- Check that you have all the component parts following the list on the page 3 and familiarise yourself with each part before proceeding.
- Take all the fittings out of the plastic bag and separate them into their groups.
- Ensure you have enough space to lay out all the parts before assembly.
- To avoid scratching it is recommended that you assemble the unit on a soft level surface.
- Please keep children away when assembly. Please keep children under direct supervision of adult when using.
- **Please do not use the gazebo under windy condition.**
- Always use the pegs to secure the gazebo when using.
- This Gazebo is not a permanent structure and should be disassembled and stored away after using.
- Do not repack your Gazebo until completely dry.
- We recommend assembly by four persons under light or no wind conditions.
- This Gazebo must not be left erect in windy conditions.
- Keep the Gazebo Fabric away from screws, nails, staples, hooks, etc to avoid damage to the fabric and frame.
- **Warning:** The unit weight approximately 61 kgs.
- **Please lift with care.**

CAUTION

Recommend Caution

- **To prolong the life of the fabric/canopy**, we recommend to dismantle it and store it indoors over the winter months.
- **Each shelf can bear 45kg** maximumly. Please do not put more than this weight on the shelves.
- **This gazebo should be secured to the ground** at all times. If positioned on grass then tent pegs can be used. If positioned on concrete, then bolts should be used.
- This product contains toughened safety glass. In the unlikely event that the glass fails it will break into a large number of small fragments that may be spread over a wide area.

Safety

- To avoid any risks of suffocation to animals or children dispose of the plastic bags immediately.

- Do not strike the glass with hand or pointed items.
- Do not sit or stand on the glass surface, as this would be hazardous.








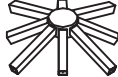
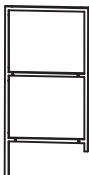
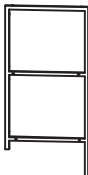

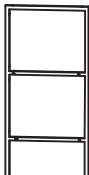




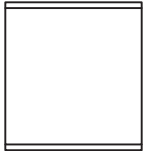
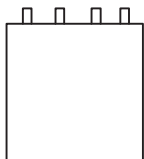


Cleaning

- As with all surfaces clean with a damp cloth and mild detergent, do not use bleach or abrasive products.

Components - Parts

If you have damaged or missing components, call the **Customer Helpline: Argos = 0345 6400800**


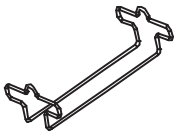
Please check you have all the parts listed below

<p>1</p>  <p>Gazebo Leg Pole x 2</p>	<p>2</p>  <p>Gazebo Leg Pole x 1</p>	<p>3</p>  <p>Gazebo Leg Pole x 1</p>	<p>4</p>  <p>Support Pole x 4</p>
<p>5</p>  <p>Top Pole x 4</p>	<p>6</p>  <p>Top Pole x 4</p>	<p>7</p>  <p>Metal Connector x 8</p>	<p>8</p>  <p>Center Connector x 1</p>
<p>9</p>  <p>Table Leg x 1</p>	<p>10</p>  <p>Table Leg x 1</p>	<p>11</p>  <p>Table Top Frame x 1</p>	<p>12</p>  <p>Table Leg x 1</p>
<p>13</p>  <p>Shelve x 4</p>	<p>14</p>  <p>Table Sling tube x 6</p>	<p>15</p>  <p>Table Sling tube x 4</p>	<p>16</p>  <p>Panel x 2</p>
<p>17</p>  <p>Panel x 2</p>	<p>18</p>  <p>Panel x 2</p>	<p>19</p>  <p>Table Glass Top x 2</p>	<p>20</p>  <p>Upper Gazebo Cover x 1</p>

Components - Parts

If you have damaged or missing components, call the **Customer Helpline: Argos = 0345 6400800**

Please check you have all the parts listed below

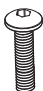

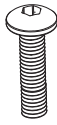





<p>21</p>  <p>Main Gazebo Cover x 1</p>	<p>22</p>  <p>Wine Glass Rack x 1</p>
---	---

Components - Fittings

If you have damaged or missing components, call the **Customer Helpline: Argos = 0345 6400800**

Please check you have all the fittings listed below

Note: The quantities below are the correct amount to complete the assembly. In some cases more fittings may be supplied than are required.

<p>A</p>  <p>M6X15</p> <p>Screw x 40</p>	<p>B</p>  <p>M6X28</p> <p>Screw x 36</p>	<p>C</p>  <p>M6X40</p> <p>Screw x 8</p>	<p>D</p>  <p>M6X60</p> <p>Screw x 4</p>
<p>E</p>  <p>Screw caps x 38</p>	<p>F</p>  <p>Spanner x 1</p>	<p>G</p>  <p>Spanner x 1</p>	<p>H</p>  <p>Peg x 8(Φ 4.5x200mm)</p>

Assembly Instructions

Step 1

Assembling Gazebo Leg and Support Poles

a: connect the support pole **4** to leg pole **1** with screws **A**

Note: suggest to complete this product assembly by 2 persons

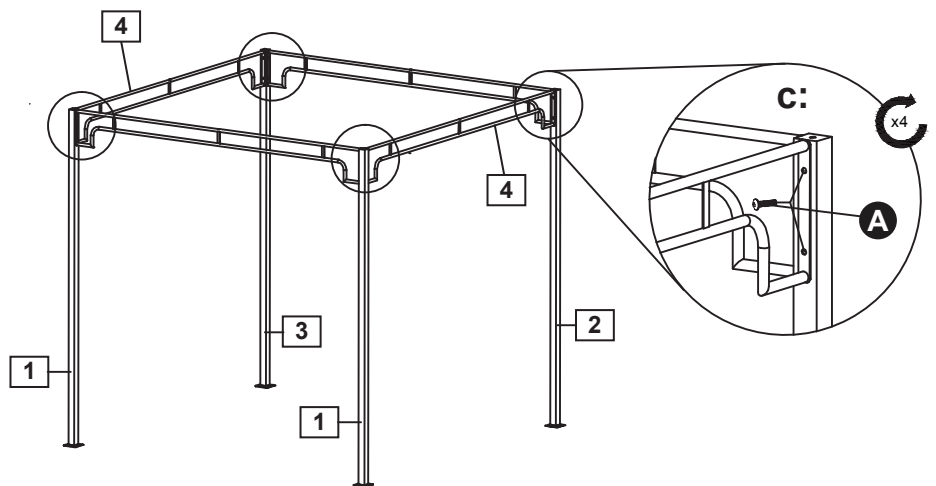
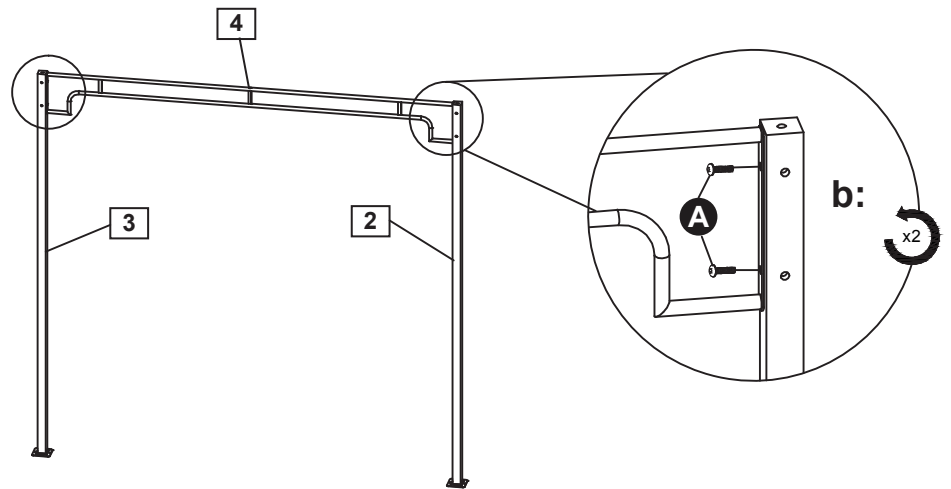
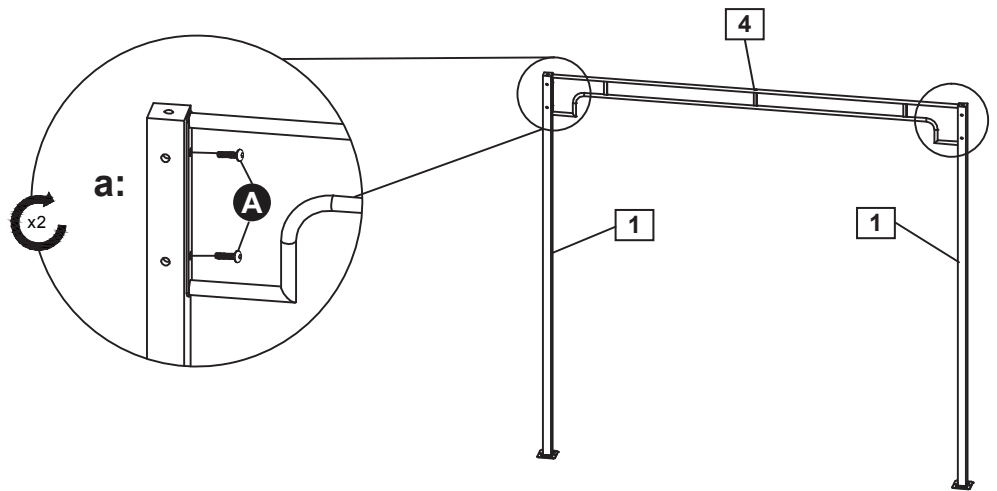


Important note: Because of the size of this unit we recommend that it is built in the place intended for using.

Ensure to locate the unite on the flat ground free from obstruction, in a sheltered area away from wind and heavy rain as this will damage the unit.

b: repeat this step for leg pole **2** and leg pole **3**.

c: use support pole **4** to connect two assembled units by screws **A**.



Assembly Instructions

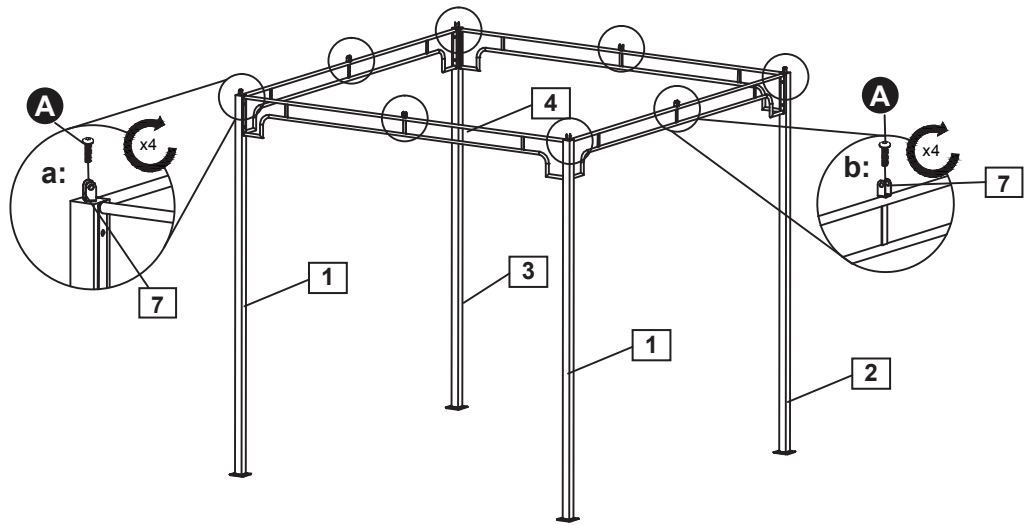
Step 2

Assembling Metal Connector onto the gazebo frame

a: After fixing leg poles assemble metal connector **7** onto leg poles **1** **2** **3** with screws **A**.

At this step please keep metal connector **7** 45 degrees with the line of support poles **4**

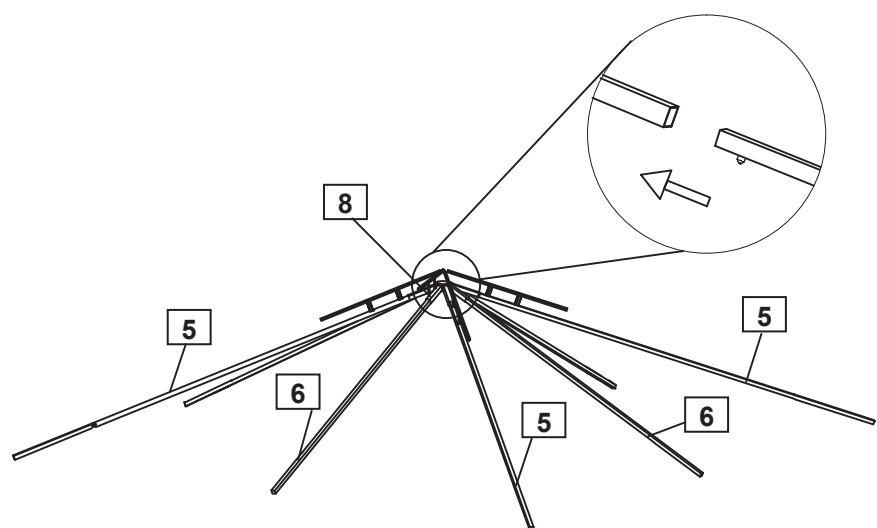
b: Fix metal connectors **7** onto the support poles **4** with screws **A**



Step 3

Assembling top poles

insert top poles **5** & **6** into center connector **8**



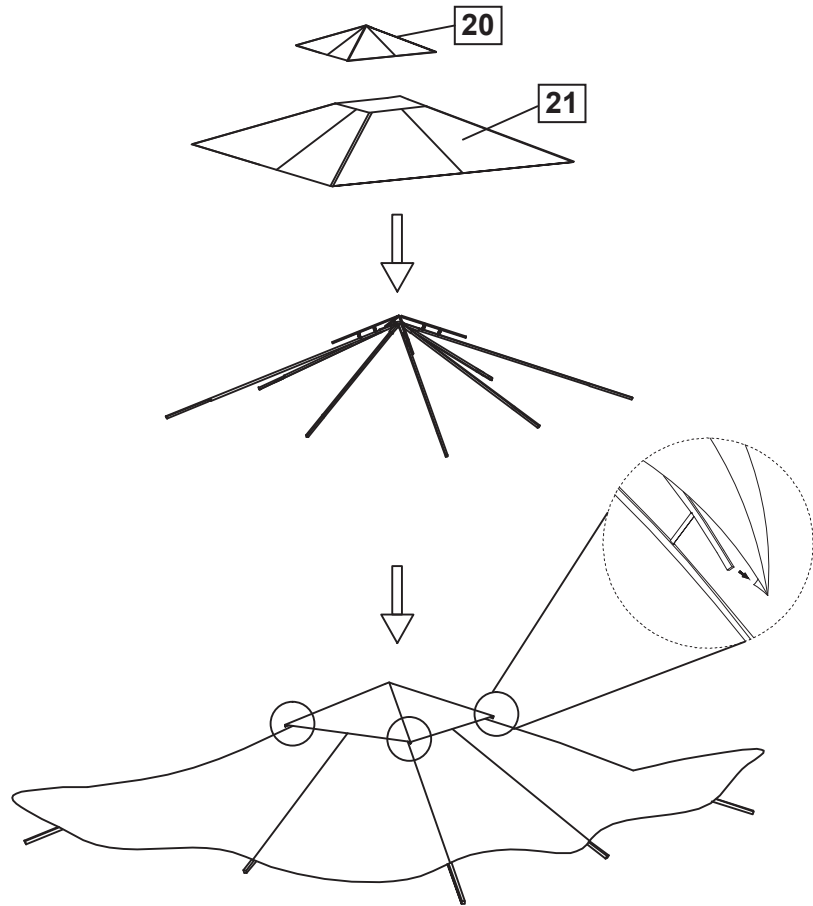
Assembly Instructions

Step 4

Assembling gazebo covers

Carefully place the upper gazebo cover **20** and the main cover **21** over the assembled top poles. Then fix the upper gazebo gazebo cover tightly over the assembled roof frame. But at this step please do not fix the main gazebo cover tightly.

Note: It would be useful to ask someone to help you at this step.



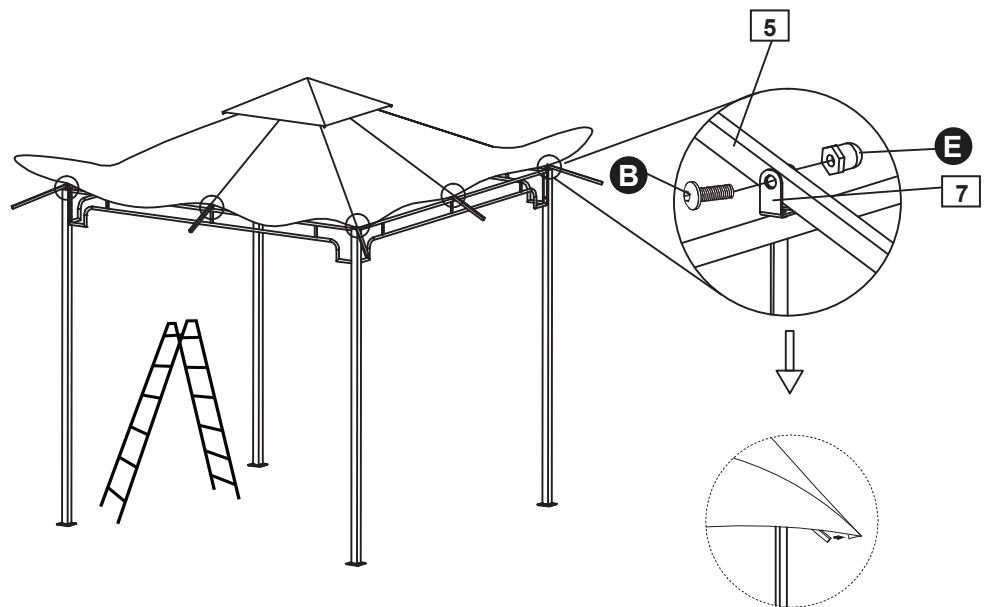
Step 5

Assembling top poles onto the leg

Assemble the connected top poles **5** and **6** onto the frame by connecting them and metal connector **7** with screws **B** and screw caps **E**.

Then fix the main gazebo cover tightly over the assembled roof frame.

Note: a ladder is suggested to be used in this step



Assembly Instructions

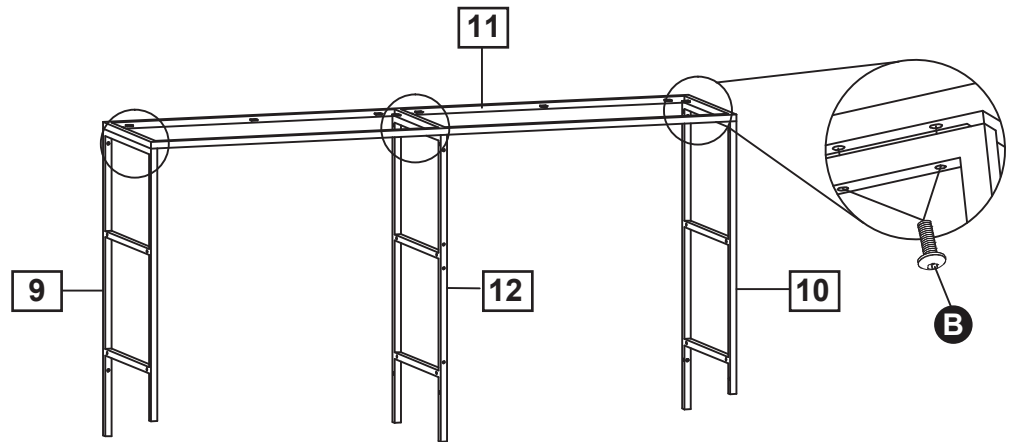
Step 6

Assembling bar table Fix table legs

Fix table legs **9** **12** and **10** onto table top frame **11** with screws **B**



Important:
Do not fully tighten all screws until assembly is complete.

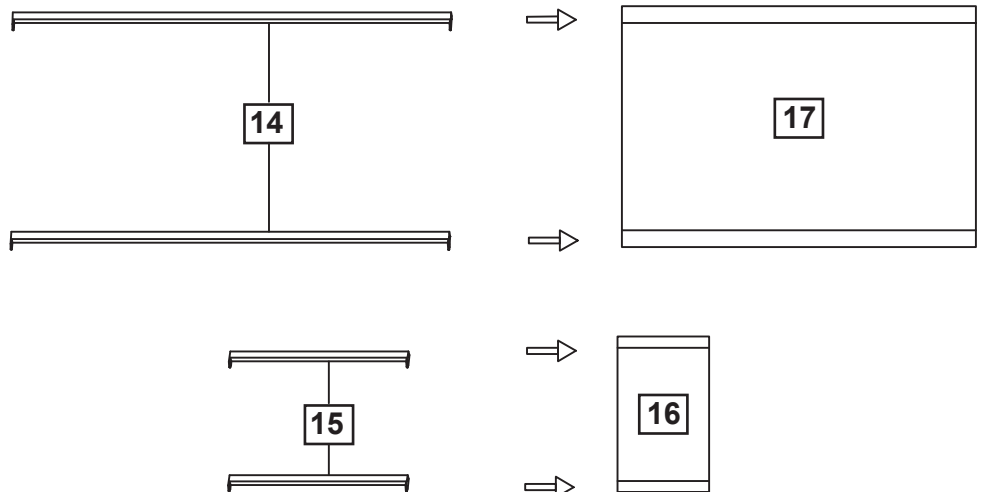


Step 7

Assembling panels

Insert sling tube **14** into panels **17**.

Insert sling tube **15** into panels **16**.

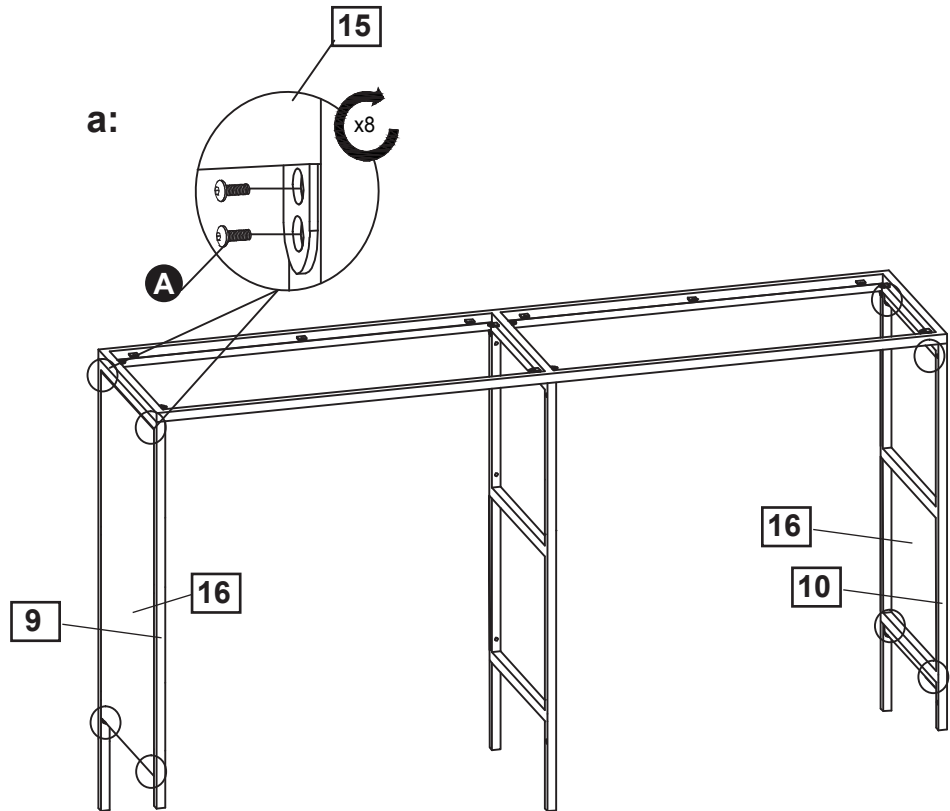


Assembly Instructions

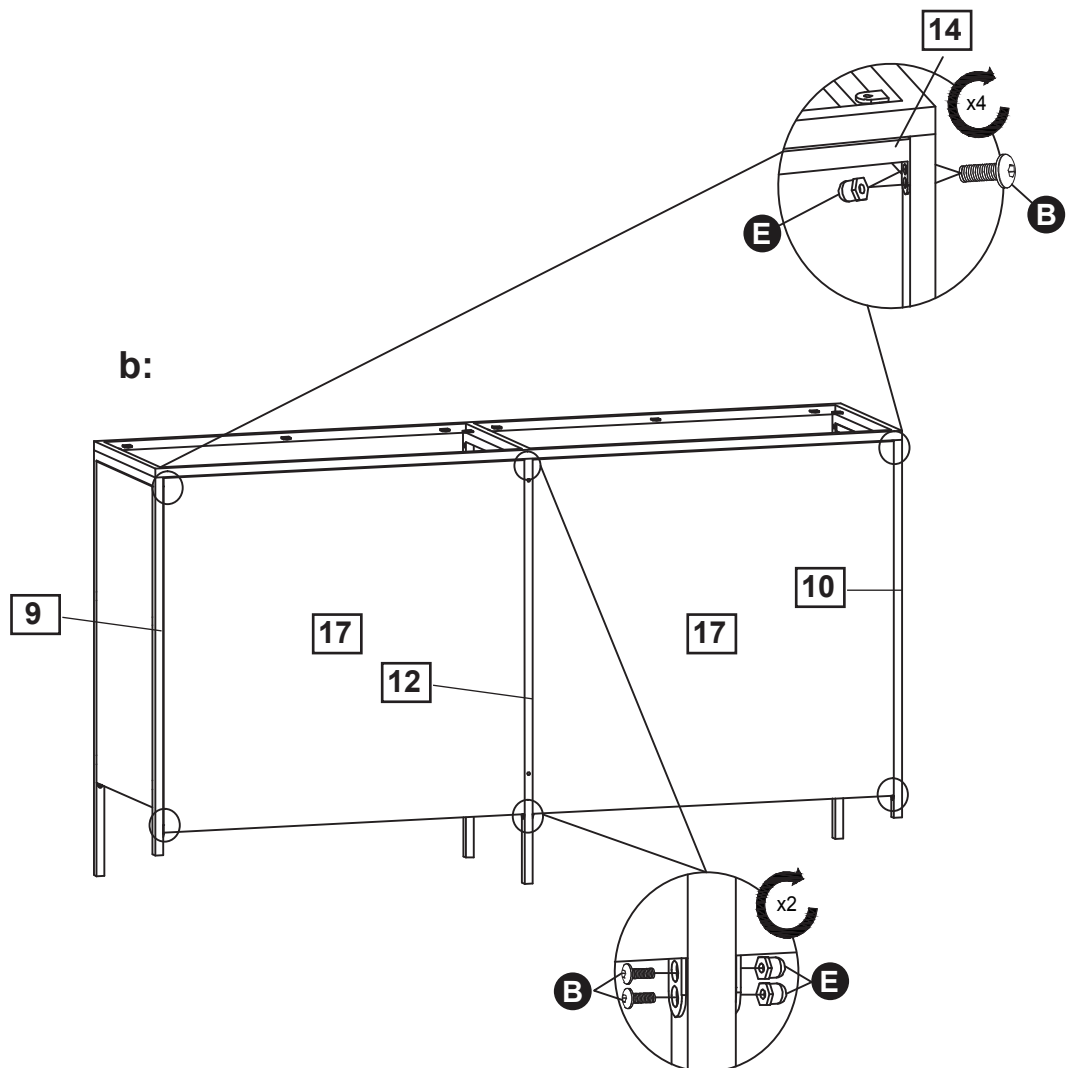
Step 8

Assembling table sling tubes into the table frame

a: connect the panels **16** to table legs **9** and **10** with screws **A**.



b: connect the panels **17** to table legs **9**, **10** and **12** with screws **B**.



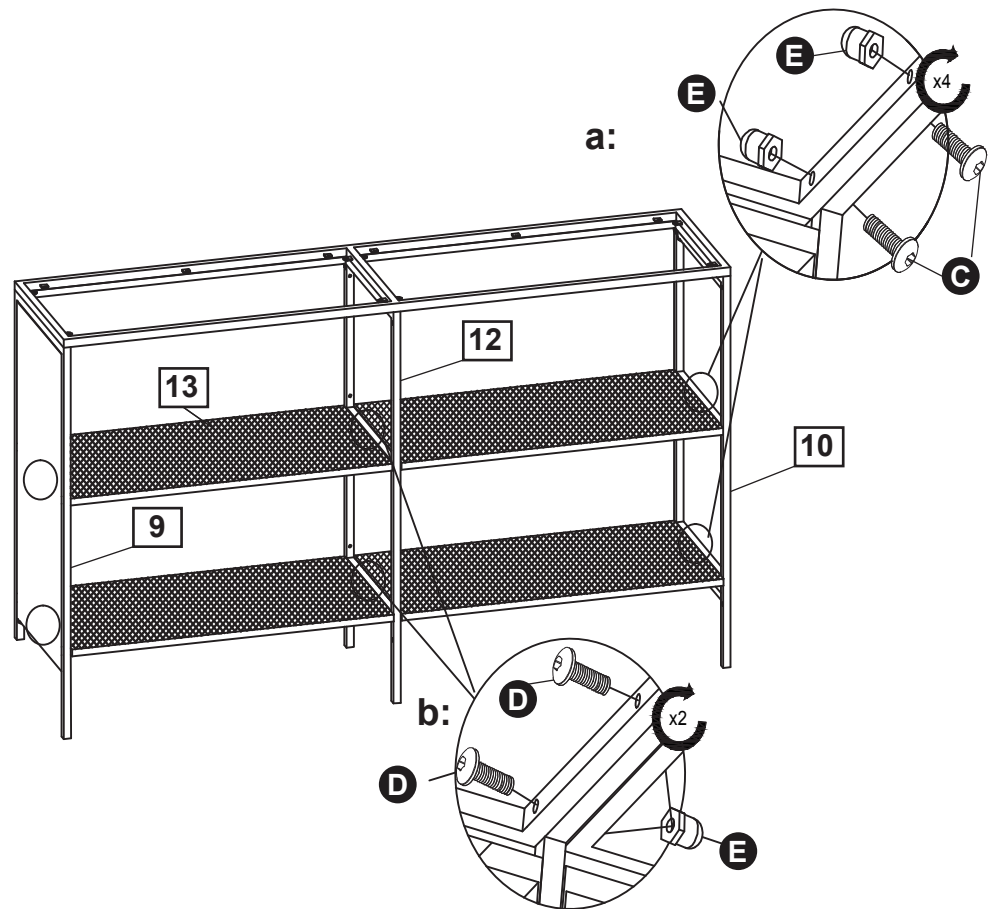
Assembly Instructions

Step 9

Assembling shelves onto the table legs

a: connect the shelves **13** onto the table legs **9** and **10** with screws **C** and screw caps **E**

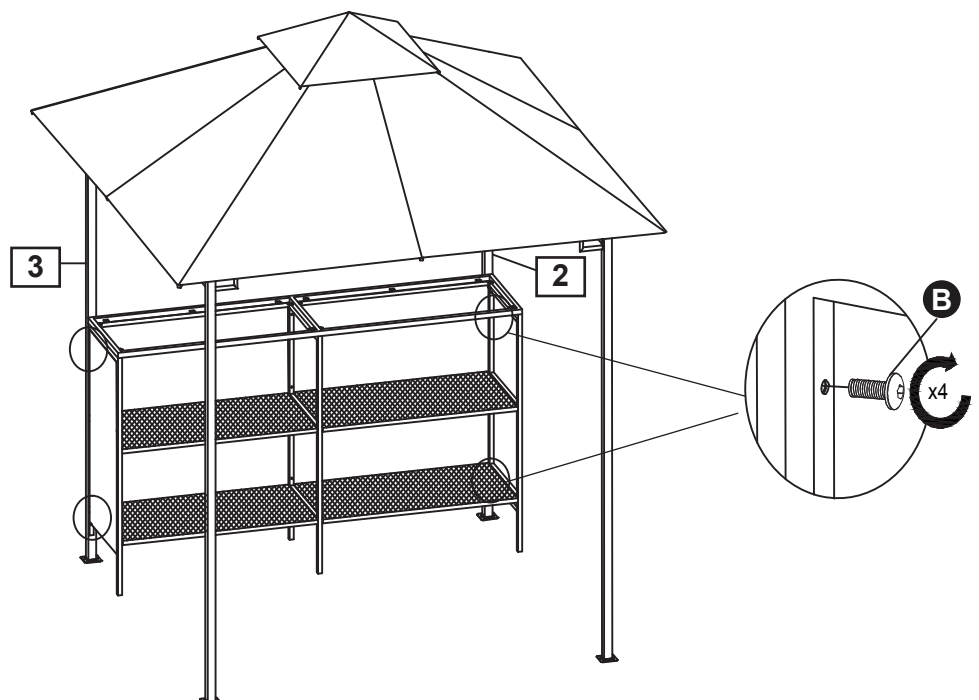
b: connect the shelves **13** onto the table legs **12** with screws **D** and screw caps **E**



Step 10

Connect the table and the gazebo leg poles

Fix the table legs **9** and **10** onto the gazebo poles **2** and **3** with screws **B**



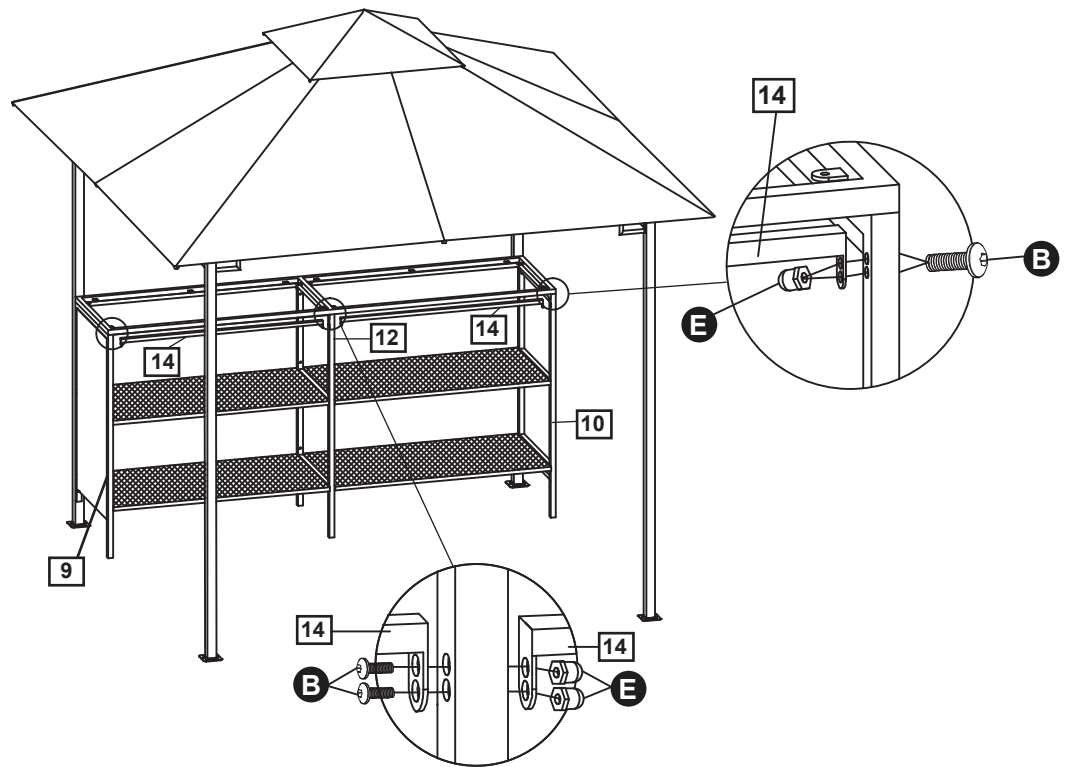
Assembly Instructions

Step 11

Fixing the sling tubes to the table legs (the side w/o panels)

Fix the sling tube **14** to the table legs **9** and **12** with screws **B** and screw caps **E**.

Fix the sling tube **14** to the table legs **12** and **10** with screws **B** and screw caps **E**.



Step 12

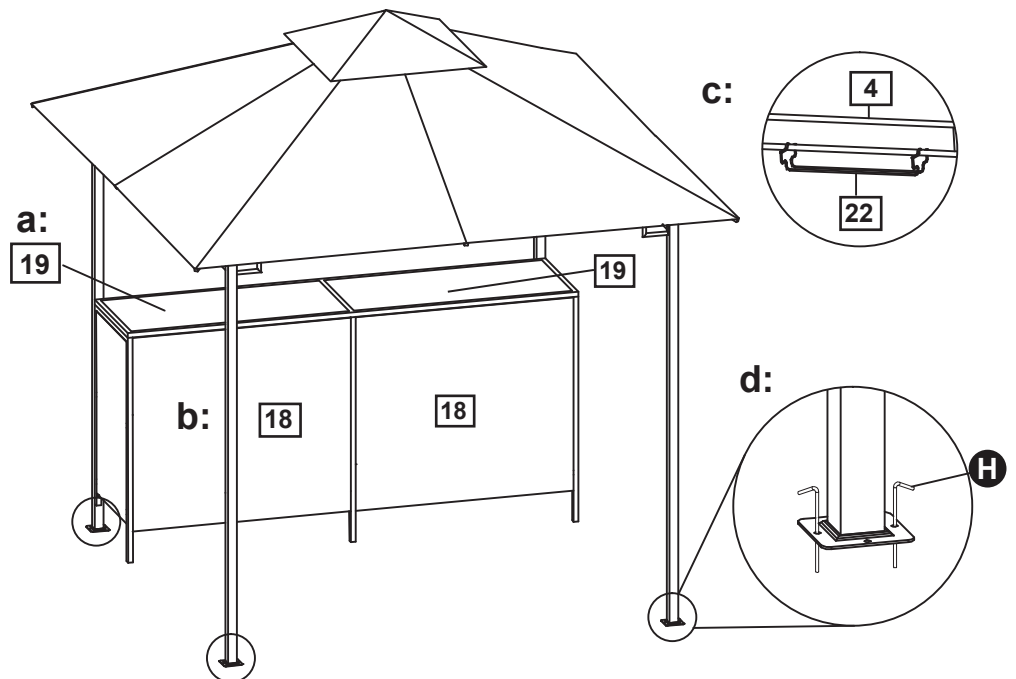
a: put the table glass **19** on the table top frame **11**

b: hang the panels **18** on the table frame

c: hang the wine glass rack **22** on the support pole **4**

d: if the product is positioned on grass, please fix it using pegs **H**

Assembly is complete.



Important note: always use this product with caution and read the important safety instructions.

If you need help or have damaged or missing parts, call the

Customer Helpline: Argos = 0345 6400800

For further assistance please visit <http://www.argos-support.co.uk>

Address: 489-499 Avebury Boulevard Saxon Gate West, Central Milton Keynes Bucks, MK9, 2NW