

# Hisense

life reimagined

## USER'S OPERATION MANUAL

Before operating this unit, please read this manual thoroughly, and retain for future reference

**RUL173D4AW11**

English

---

# Contents

SAFTY AND WARNING INFORMATION.....	3
INSTALLATION.....	7
OPERATION AND FUNCTIONS.....	9
CHANGING THE LIGHT BULB.....	9
CHANGING THE LED BULB.....	10
NOISES DURING OPERATION.....	10
DEFROSTING.....	11
TROUBLESHOOTING.....	15
ENERGY SAVING TIPS.....	16
DISPOSAL OF THE APPLIANCE.....	17



This appliance is in accordance with the following EU guidelines: 2014/35/EU and 2014/30/EU and 2009/125/EC and EC.643/2009 and 2002/96/EC



## SAFTY AND WARNING INFORMATION

For your safety and correct usage, before installing and first using the appliance, read this user manual carefully, including its hints and warnings. To avoid unnecessary mistakes and accidents, it is important to make sure that all people using the appliance are thoroughly familiar with its operation and safety features. Save these instructions and be sure that they remain with the appliance if it is moved or sold, so that a using it throughout its life will be properly informed on its correct appliance usage and safety.

For the safety of life and property, keep the precautions of these user's instructions as the manufacturer is not responsible for damages caused by omission.

### Safety for children and others who are vulnerable people

- This appliance can be used by children aged from 8 years and above and persons with reduced physical, sensory or mental capabilities or lack of experience and knowledge if they have been given supervision or instruction concerning use of the appliance in a safe way and understand the hazards involved. Children shall not play with the appliance. Cleaning and user maintenance shall not be made by children without supervision.
- Keep all packaging away from children as there is risk of suffocation.
- If you are discarding the appliance, pull the plug out of the socket, cut the connection cable (as close to the appliance as you can) and remove the door to prevent children playing from suffering an electric shock or from closing themselves inside it.
- If this appliance, featuring a magnetic door seals, is to replace an older appliance having a spring lock (latch) on the door or lid, be sure to make the spring lock unusable before you discard the old appliance. This will prevent it from becoming a death trap for a child.

### General safety



- **WARNING** —This appliance is intended to be used in household and similar applications such as
  - staff kitchen areas in shops, offices and other working environments;
  - farm houses and by clients in hotels, motels and other residential

---

type environments;

-bed and breakfast type environments;

-catering and similar non-retail applications

- **WARNING** — Do not store explosive substances such as aerosol cans with a flammable propellant in this appliance.
- **WARNING** — If the supply cord is damaged, it must be replaced by the manufacturer, its service agent or similarly qualified persons in order to avoid a hazard.
- **WARNING** — Keep ventilation openings, in the appliance enclosure or in the built-in structure, clear of obstruction.
- **WARNING** — Do not use mechanical devices or other means to accelerate the defrosting process, other than those recommended by the manufacturer.
- **WARNING** — Do not damage the refrigerant circuit.
- **WARNING** — Do not use electrical appliances inside the food storage compartments of the appliance, unless they are of the type recommended by the manufacturer.
- **WARNING** — The refrigerant and insulation blowing gas are flammable. When disposing of the appliance, do so only at an authorized waste disposal centre. Do not expose to flame.
- **WARNING** — To avoid a hazard due to instability of the appliance, it must be fixed in accordance with the instructions.

## Refrigerant

The refrigerant isobutene (R600a) is contained within the refrigerant circuit of the appliance, a natural gas with a high level of environmental compatibility, which is nevertheless flammable. During transportation and installation of the appliance, ensure that none of the components of the refrigerant circuit becomes damaged.

The refrigerant (R600a) is flammable.



### **Caution: risk of fire**

If the refrigerant circuit should be damaged:

-Avoid opening flames and sources of ignition.

-Thoroughly ventilate the room in which the appliance is situated.

It is dangerous to alter the specifications or modify this product in any way. Any damage to the cord may cause a shortcircuit, fire, and/or electric shock.



### **Electrical safety**

1. The power cord must not be lengthened.
2. Make sure that the power plug is not crushed or damaged. A crushed or damaged power plug may overheat and cause a fire.
3. Make sure that you can access the main plug of the appliance.

4. Do not pull the main cable.

5. If the power plug socket is loose, do not insert the power plug. There is a risk of electric shock or fire.

6. You must not operate the appliance without the interior lighting lamp cover.

7. The fridge is only applied with power supply of single phase alternating current of 220~240V/50Hz. If fluctuation of voltage in the district of user is so large that the voltage exceeds the above scope, for safety sake, be sure to apply A.C. Automatic voltage regulator of more than 350W to the fridge. The fridge must employ a special power socket instead of common one with other electric appliances. Its plug must match the socket with ground wire.

### **Daily use**

- Do not store flammable gass or liquids in the appliance, There is a risk of an explosion.
- Do not operate any electrical appliances in the appliance (e.g. electric ice cream makers, mixers etc.).
- When unplugging always pull the plug from the mains socket, do not pull on the cable.
- Do not place hot items near the plastic components of this appliance.
- Store pre-packed frozen food in accordance with the frozen food manufacture's instructions.
- The appliances manufactures storage recommendations should be strictly adhered to. Refer to relrelevant instructions for storage.
- Frozen food can cause frost burns if consumed straight from the freezer compartment.
- Do not place the appliance in direct sunlight.
- Keep burning candles, lamps and other items with naked flames away from the appliance so that do not set the appliance on fire.
- The appliance is intended for keeping food stuff and/or beverages in normal household as explained in this instruction booklet The appliance is heavy. Care should be taken when moving it.
- Do not remove nor touch items from the freezer compartment if your hands are damp/wet, as this could cause skin abrasions or frost/freezer burns.
- Never use the base, drawers, doors etc. to stand on or as supports.
- To avoid items falling and causing injury or damage to the appliance, do not overload the door racks or put too much food in the crisper drawers.
- Never cover or obstruct the ventilation slats on the appliance.

---

**caution!****Care and cleaning**

- Before maintenance, switch off the appliance and disconnect the mains plug from the mains socket.
- Do not clean the appliance with metal objects, steam cleaner, ethereal oils, organic solvents or abrasive cleansers.
- Do not use sharp objects to remove frost from the appliance. Use a plastic scraper.

**Installation Important!**

- For electrical connection carefully, follow the instructions given in this manual.
- Unpack the appliance and check if there are damages on it. Do not connect the appliance if it is damaged. Report possible damages immediately to the place you bought it. In this case retain packing.
- It is advisable to wait at least four hours before connecting the appliance to allow the oil to flow back in the compressor.
- Adequate air circulation should be around the appliance, lacking this leads to overheating. To achieve sufficient ventilation, follow the instructions relevant to installation.
- Wherever possible the back of the product should be against a wall to avoid touching or catching warm parts (compressor, condenser) to prevent the risk of a fire, follow the instructions relevant to installation.
- The appliance must not be locate close to radiators or cookers.
- Make sure that the mains plug is accessible after the installation of the appliance.

**Service**

- Any electrical work required to do the servicing of the appliance should be carried out by qualified electrician or competent person.
- This product must be serviced by an authorized Service Center, and only genuine spare parts must be used.
  - 1)If the appliance is Frost Free.
  - 2)If the appliance contains freezer compartment.

## INSTALLATION

### Positioning

Position the appliance away from sources of heat such as stoves, radiators, direct sunlight etc. Maximum performance and safety are guaranteed by maintaining the correct indoor temperature for the class of unit concerned, as specified on the rating plate. This application perform well from N to ST.

The Appliance may not work properly if it is left for a longer period at a temperature above or below the indicated range.

Climate class	Ambient temperature
SN	+10°C to +32°C
N	+16°C to +32°C
ST	+16°C to +38°C
T	+16°C to +43°C

Appliances must not be exposed to rain.Sufficient air must be allowed to circulate in the lower rear section of appliances, as poor air circulation can affect performance. Built-in appliances should be positioned away from heat sources such as heaters and direct sunlight.

## Electrical connection

Before connecting the appliance to the power supply, ensure that the voltage and frequency as indicated on the data plate correspond to those of the electrical mains.

A deviation of  $-6V$  to  $+6V$  is admissible with respect to the rated voltage. For operation with other voltage supplies, a right autotransformer is required.

Always connect the appliance to an useful earthing system

For the above,if the main supply is not earthed,connect the appliance to a separate earthing system.

Consult a specialized technician to carry out the latter in compliance with current standards.

The manufacturer declines all responsibility for failure to observe the above accident prevention standards.

## Cleaning the interior prior to use

Prior to use, clean all internal parts with warm water and neutral detergent to remove the “new” odor and dry thoroughly. Never use abrasive detergents and/or powders that can damage the appliance.

## Installation instructions:

Before installing, carefully read the instruction in order to avoid a certain number of problems.

Fig 2 -Dimensions of mounting slot

Fig 3 -Height regulation

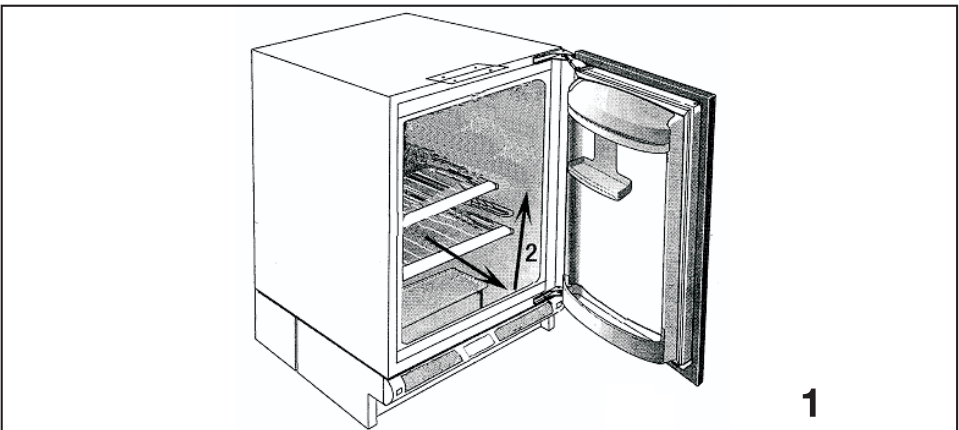
Fig 4 -Installation of the appliance under the worktop

Fig 5 -Fastening the appliance under the worktop

Fig 6 -Door exchange

Fig 7, Fig 8 –Mounting the kitchen cabinet door

## How to remove the shelf from the appliance



The shelf may be placed randomly upon any of the guide slots inside the appliance.It is protected against sliding out.In case you want to adjust the shelves or remove the shelves from the appliance (Fig 1).

- Lift the shelf by hand and pull it towards you until it reaches the crack in the guide slot.
- Lift the shelf up and pull it out inclined between the door and appliance.
- Reinsertion is carried out in the opposite procedure.



---

## OPERATION AND FUNCTIONS

### Starting up and temperature regulation

Insert the plug of the connection lead into the plug socket with protective earth contact. When the refrigerator compartment door is opened, the internal lighting is switched on.

The temperature selector knob is located on the right side of the refrigerator compartment.

#### Setting 0 means:

Off.

Turning clockwise in direction Refrigerating unit on, the latter then operating automatically.

#### Setting 1 means:

Highest temperature, warmest setting.



#### Setting 7 (end-stop) means:

Lowest temperature, coldest setting.

### Important!

Normally we advise you select setting of 2 or 3 or 4, if you want the temperature warmer or colder please turn the knob to lower or higher setting accordingly. When you turn the knob to lower which can lead to the more energy efficiency. Otherwise, it would result the energy-consuming.

### Important!

High ambient temperatures (e.g. on hot summer days) and a cold setting on the temperature regulator (position 6 to 7) can cause the compressor to run continuously or even non-stop!

Reason: when the ambient temperature is high, the compressor must run continuously to maintain the low temperature in the appliance.

**Important!** Please select the operation steps depending on the type of the bulb.

## CHANGING THE LIGHT BULB

### Warning!

Before changing the light bulb, switch off the appliance and unplug it, or pull the fuse or the circuit breaker.

Light bulb data: 220-240V, max. 15W.

To switch off the appliance, set the temperature regulator to position "0".

Unplug the mains plug. To change the light bulb, undo the screw. Press the light bulb cover and slide it backwards. Change the defective light bulb. Refit the light bulb cover and the screw.

Put the refrigerator back into operation.

## CHANGING THE LED BULB

### **Warning!**

Changing the LED bulb carry out by inexperienced persons may cause injury or serious malfunctioning. It must be replaced by a qualified persons in order to avoid a hazard. Contact your local Service Force Center for help.

Before changing the light bulb, switch off the appliance and unplug it, or pull the fuse or the circuit breaker.

LED bulb data: 220-240V,max.1.5W.

To switch off the appliance, set the temperature regulator to position "0".

Unplug the mains plug. To change the light bulb, undo the screw. Press the light bulb cover and slide it backwards. Pull out the Lampholders fixed block. Change the defective light bulb. Push back the LED bulb to the bottom, insert the Lampholders fixed block into the slot. Refit the light bulb cover and the screw.Put the refrigerator back into operation.

## NOISES DURING OPERATION

The following noises are characteristic of refrigeration appliances:

### **Clicks**

Whenever the compressor switches on or off, a click can be heard.

### **Humming**

As soon as the compressor is in operation, you can hear it humming.

### **Bubbling**

When refrigerant flows into thin tubes, you can hear bubbling or splashing noises.

### **Splashing**

Even after the compressor has been switched off, this noise can be heard for a short time.

---

## Storing food and drink

For optimal use of the refrigerator compartment observe the following instructions:

Never put hot liquid or food in the refrigerator while evaporating;

Cover or wrap food prior to storage (food containing spices in particular);

Arrange food so that air can circulate freely inside the compartment.

Meat (all types): wrap in protective material and store up to 1-2days maximum.

Cooked food and cold meals etc must be covered well and stored in any position in the refrigerator.

Fruit and vegetables should be cleaned and stored in the relative drawer.

Bananas, potatoes, onions and garlic should be stored in the refrigerator unless rewrapped.

## Food shelves

The walls of the cold storage area are equipped with guides to enable insertion of the grids or shelves in various positions as required.

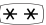
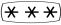
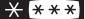
## Positioning inner door trays

Inner door trays can be inserted in various positions. To change the position proceed as follows:

Pull the tray up out of its seat and refit in the new position.

The upper tray can be removed to ensure thorough cleaning when required.

## Storing frozen food/freezing fresh food

Appliances with compartments with the  symbol can be used to store frozen food for a maximum time of one month. Appliances with the  symbol are suitable for storing frozen food but not for freezing fresh food, while appliance with  symbol are suitable for both uses.

- Appliances with compartments that have no symbol are unsuitable for freezing fresh foods and for storing frozen food.

**IMPORTANT!** –In order to make the most of the volume of the fresh food storage compartment and frozen-food storage compartment, the user can removed one or more shelves, drawers, out of the appliance, according to your daily use.

# DEFROSTING

## Why defrosting

Water contained in food or getting into air inside the fridge by opening doors may form a layer of frost inside. It will weaken the refrigeration when the frost is thick.

## While it is more than 10mm thick, you should defrost.

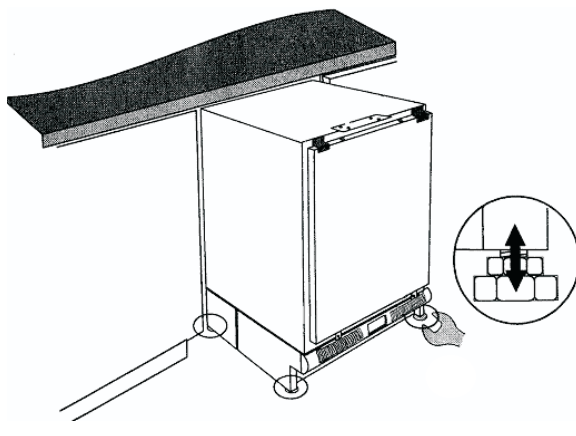
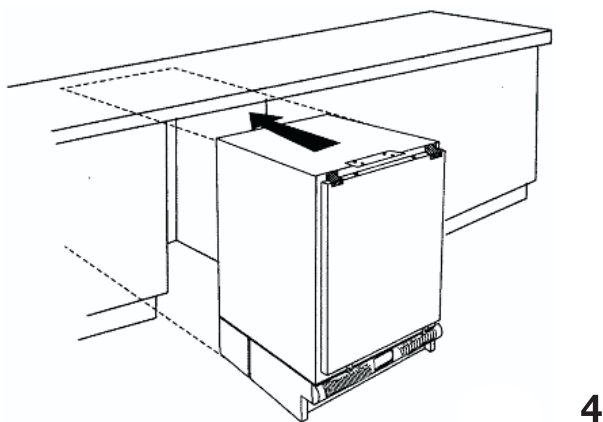
Defrosting in fresh food storage compartment It is automatically controlled by switching the temperature regulator on or off so that there is no need of operation of defrosting. Water from defrosting will be drained into a drip tray through a drain pipe at the back of the fridge automatically.

## Warning!

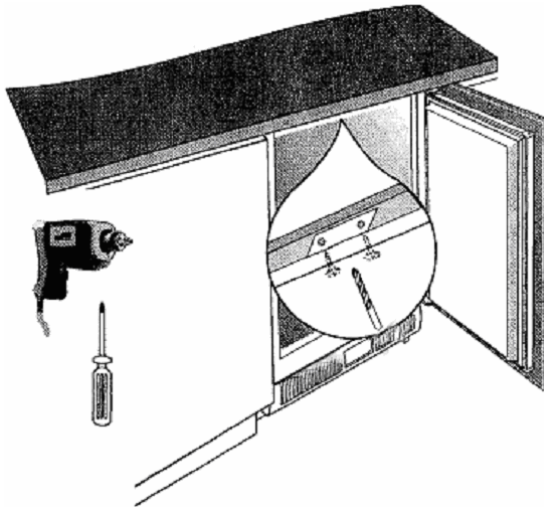
Switching off the appliance. To switch off the appliance, turn the temperature regulator to position "0".

## Periods of disuse

In the event of prolonged periods of disuse, clean thoroughly after emptying, disconnect the appliance from the power supply and leave the door ajar to avoid the formation of unpleasant odors.

**Fig 3 -Height regulation****Fig 4 -Installation of the appliance under the worktop**

**Fig 5 -Fastening the appliance under the worktop**



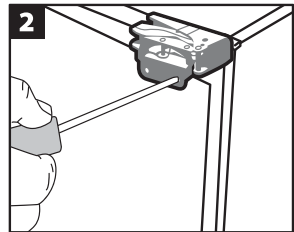
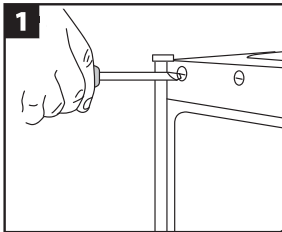
**Fig 6 -Door exchange**

- This must be done before fitting the cabinet outer door.
- Ensure the fridge is unplugged and empty.
- We recommend you have someone to assist you.

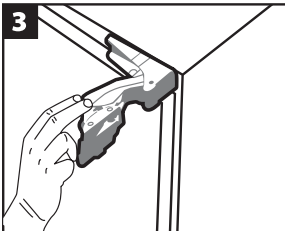
Tools required

- Phillips style screwdriver.
- Flat bladed screwdriver.

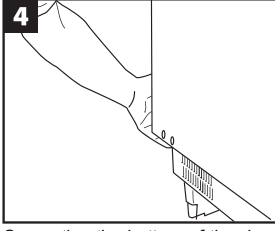
**WARNING!**Take care when opening the hinges,They are sprung and there is a risk of injury if they close on your hand.



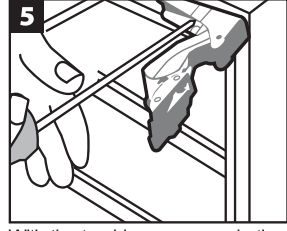
With the door closed remove the screws on the outside of the hinges.Start with the top hinge.



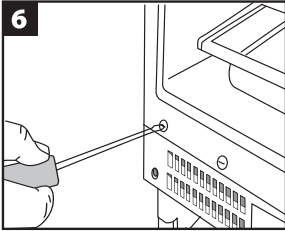
Open the hinges away from the door.



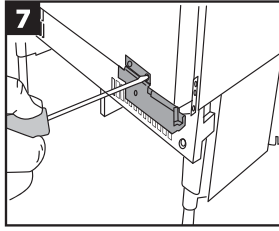
Supporting the bottom of the door as you do so.Be careful with the hinges.Remove the door.



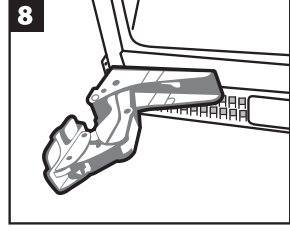
With the top hinge open undo the screws holding it to the cabinet.Be careful with the hinge,use a long shafted screwdriver if you have one.



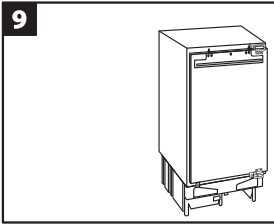
6 Remove the blanking plates for the cabinet.



7 Turn the hinge over and place it on the diagonally opposite corner of the cabinet. Screw back in place.



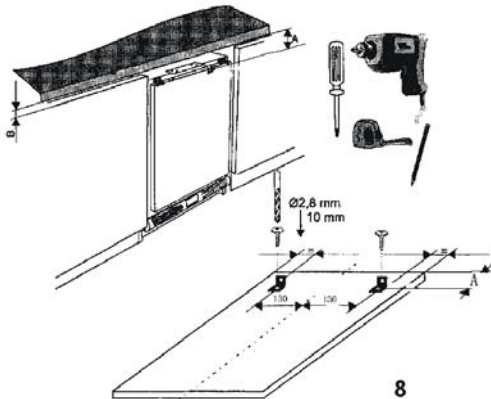
8 Repeat with the other hinge. Replace the cabinet blanking plates. Replace the door and re-attach the hinges.



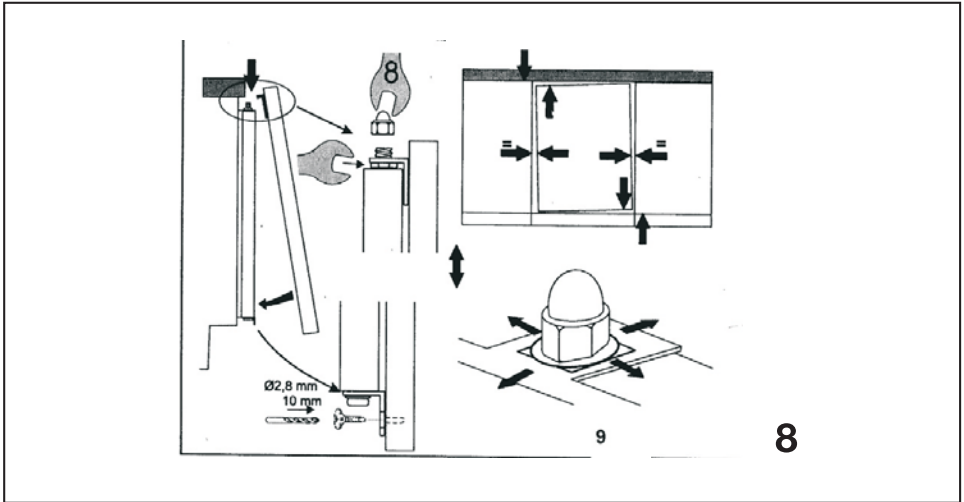
9 Check that the larder fridge door is aligned horizontally and vertically and that the door seals are secure on all sides before finally tightening the hinge bracket screws.

6

### Fig 7, Fig 8 –Mounting the kitchen cabinet door



7



## TROUBLESHOOTING

Defective operation of the appliance is not always due to a technical fault but is often caused by incorrect installation or use. To avoid unnecessary technical assistance and relative expenses we recommend the following procedures.

Symptom	What to do
Appliance operation failure	Check that the power supply is not disconnected
	Check the thermostat is not set to "0";
	Check that the plug is inserted correctly into the mains socket;
	Check that automatic cut-out on the mains line has not tripped or that a fuse has blown;
	Check that the power cable is not faulty.
Internal temperature is not sufficiently cool	Check that the door close properly;
	Check that air can circulate freely;
	Check the thermostat setting is correct;
	Check the refrigerator is not positioned close to the heat sources;
	Check the condenser is clean;

Internal temperature is too low	Check that the thermostat setting is correct.
The compressor runs continuously	Adjust the thermostat to give correct temperature control.
	Check that the door is closed.
	Large quantities of food have recently been placed in the cabinet / and or door is frequently opened.
	Check that air ventilation is not obstructed.
Internal lamp does not work	Check that the appliance is switched on. Otherwise disconnect the plug from the mains socket, remove the projection grille from the thermostat unit and check that the light is tightened correctly. Replace any defective light bulbs with a new 15W bulb that has the same voltage as that indicated on the data plate inside the unit.

If after the above checked there is still a fault calling your local service center.

In-guarantee customer should ensure that the above checks have been made as the engineer will make a charge if the fault is not a mechanical or electrical breakdown.

## ENERGY SAVING TIPS

1. Do not place warm foods into the appliance. Allow warm foods to cool first. Do not install the appliance near cookers, radiators or other sources of warmth. High ambient temperatures cause longer, more frequent operation of the compressor
2. When the product works, please do not open the door too often or leave the door open any longer than necessary.
3. Do not set temperature any colder than necessary.
4. Store food logically. Do not exceed the storage period specified.




## DISPOSAL OF THE APPLIANCE

It is prohibited to dispose of this appliance in domestic household waste.

For disposal there are several possibilities:

- a)The municipality has established collection systems ,where electronic waste can be disposed of at least free of charge to the user.
  - b)The manufacturer will take back the old appliance for disposal at least free of charge to the user.
  - c)As old products contain valuable resources ,they can be sold to scrap metal dealers.
- Wild disposal of waste in forests and landscapes endangers your health when hazardous substances leak into the ground-water and fin their way into the food chain .

	<b>Correct Disposal of this product</b>
	<p>This marking indicates that this product should not be disposed with other household wastes throughout the EU. To prevent possible harm to the environment or human health from uncontrolled waste disposal, recycle it responsibly to promote the sustainable reuse of material resources. To return your used device, please use the return and collection systems or contact the retailer where the product was purchased. They can take this product for environmental safe recycling.</p>

# **Hisense**

life reimagined

**Hisense UK Ltd**  
Unit2  
Meadow Court  
Millshaw Lane  
LS11 8LZ