



Congratulations!

Thank you for choosing a Candy appliance; quality dishwashers which guarantee high performance and reliability.

Candy manufacture a vast range of domestic appliances: washing machines, washer/dryers, cookers, microwave ovens, ovens and hobs, refrigerators and freezers.

Ask your dealer for the catalogue with the complete range of Candy products. Please read this booklet carefully as it provides important information regarding the safe installation, use, and maintenance of the machine, together with some useful advice on how to achieve the best results from your dishwasher.

For future reference please keep this instruction booklet in a safe place.

CUSTOMER SERVICE AND GUARANTEE

Your new appliance is fully guaranteed by the manufacturer for 12 months against electrical/mechanical breakdown excluding:

- A.** Any faults which occur due to bad installation or misuse of the machine.
- B.** Any faults which occur due to repair of, or interference with, the machine by any person not authorised by the manufacturer to carry out service.
- C.** Any faults which occur due to any parts which are fitted to the machine which are not the original manufacturers parts.
- D.** Any faults arising from non-domestic use or unusual or abnormal use of the machine.
- E.** Any faults arising from operation at incorrect voltage.
- F.** Any faults arising from incorrect operation of the machine.
The guarantee applies to Gt Britain and Northern Ireland only, and is an addition to your statutory rights.

AFTER SALES SERVICE

For service and repairs call your local engineer on our national telephone number:

GIAS Service

Tel: 0884 995599

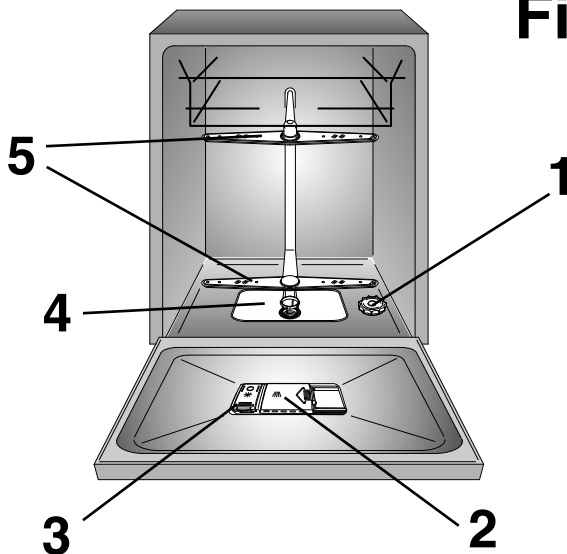
Support Service

(Eire 0818 200021)

CONTENTS

General safety rules	pag. 5
Installation	pag. 7
Water connection	pag. 8
Loading the salt	pag. 10
Adjusting the upper basket	pag. 11
Loading the dishes	pag. 12
Information for test laboratories	pag. 14
Loading the detergent	pag. 15
Types of detergent	pag. 16
Loading the rinse aid	pag. 17
Cleaning the filters	pag. 18
Some practical hints	pag. 19
Routine cleaning and maintenance	pag. 20
Description of the control panel	pag. 21
Technical data	pag. 21
Programme selection and special functions	pag. 22
Smart touch	pag. 26
Programme guide	pag. 28
Water softener unit	pag. 30
Identifying minor faults	pag. 31

Fig. A



Please read the instructions in this booklet carefully because they contain important information on how to install, use and maintain your dishwasher safely as well as containing useful tips on how to make the most of it.

Keep this booklet safe for future reference.

GENERAL SAFETY RULES

- This appliances is intended to be used in household and similar applications such as:

- staff kitchen areas in shops, offices and other working environments;

- farm houses;

- by clients in hotels, motels and other residential type environments;

- bed and breakfast type environments.

A different use of this appliance from household environment or from typical housekeeping functions, as commercial use by expert or trained users, is excluded even in the above applications.

If the appliance is used in a manner inconsistent with this it may reduce the life of the appliance and may void the manufacturer's warranty.

Any damage to the appliance or other damage or loss arising through use that is not consistent with domestic or household use (even if located in a domestic or household environment) shall not be accepted by the manufacturer to the fullest extent permitted by law.

- This appliance can be used by children aged from 8 years and

above and persons with reduced physical, sensory or mental capabilities or lack of experience and knowledge if they have been given supervision or instruction concerning use of the appliance in a safe way and understand the hazards involved.

Children shall not play with the appliance. Cleaning and user maintenance shall not be made by children without supervision.

- Children should be supervised to ensure that they do not play with the appliance.

- Children of less than 3 years should be kept away unless continuously supervised.

- Should it be necessary to replace the supply cord, call the After Sales Service Centre.

- The appliance must be connected to the water mains using new hose-sets. The old hose-sets should not be reused.

- Water pressure must be between 0,08 MPa and 0,8 MPa.

- When the appliance is located on a carpet floor, attention must be paid to ensure that there is no obstruction to the bottom vents.

- After installation, the appliance must be positioned so that the plug is accessible.

- For the maximum place loading, please refer to the "TECHNICAL DATA" table/section.



WARNING !

Knives and other utensils with sharp points must be loaded in the basket with their points down or placed in a horizontal position.

- The door should not be left in the open position since this could present a potential hazard (e.g. tripping).
- To consult the product fiche please refer to the manufacturer website.

Safety instructions

- Make sure the electrical system is grounded. Otherwise, seek qualified professional assistance.

Manufacturer declines all responsibility for any damage due to non-earthing of the machine.

- Ensure that the dishwasher does not crush power cables.

- In general it is not advisable to use adaptors, multiple plugs and/or extension cables.

- Do not remove the plug from the mains supply socket by pulling the mains cable or the machine itself.

- Do not leave the appliance exposed to the elements (rain, sun etc).

- Leaning or sitting on the open door of the dishwasher could cause it to tip over.

- The dishwasher is designed for normal kitchen utensils. Objects that have been contaminated by petrol, paint, traces of steel or iron, corrosive chemicals, acids or alkalis must not be washed in the dishwasher.

- If there is a water softening device installed in the home there is no need to add salt to the water softener fitted in the dishwasher.

- If the appliance breaks down or stops working properly, switch it off, turn off the water supply and do not tamper with it. Repair work should only be carried out by an approved service agent and only genuine spare parts should be fitted. Any failure to follow the above advice may have serious consequences for the safety of the appliance.

- If you need to move the machine after removing the packaging, do not try to lift it by the bottom of the door. Open the door slightly and lift the machine by holding on the top.

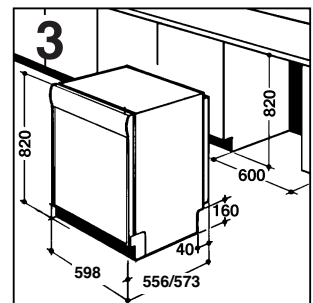
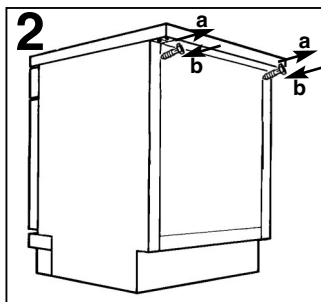
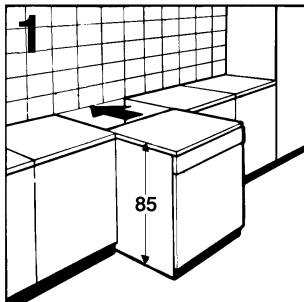
- For the installation of built-in appliances, please refer to the specific chapter or to the instructions enclosed with the booklet.

By placing the **CE** mark on this product, we are confirming compliance to all relevant European safety, health and environmental requirements which are applicable in legislation for this product.

INSTALLATION IN FITTED KITCHENS

Fitting between existing cabinets

- The height of the dishwasher, 85 cm, has been designed in order to allow the machine to be fitted between existing cabinets of the same height in modern fitted kitchens. The feet can be adjusted so that correct height is reached.
- The laminated top of the machine does not require any particular care since it is heatproof, scratchproof and stainproof (fig. 1).



Underneath existing work top

(when fitting beneath a work top)

- In most modern fitted kitchens there is only one single work top under which cabinets and electrical appliances are fitted. In this case remove the work top of the dishwasher by unscrewing the screws under the rear edge of the top (fig. 2a).

IMPORTANT

After removing the work top, the screws **MUST BE** screwed again under the rear edge of the top (fig. 2b).

- The height will then be reduced to 82 cm, as scheduled by the International Regulations (ISO) and the dishwasher will fit perfectly under the kitchen working top (fig. 3).

WATER CONNECTION

IMPORTANT

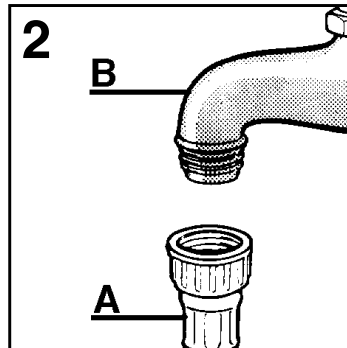
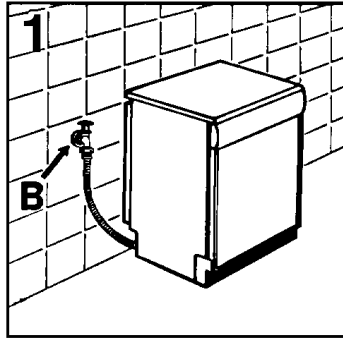
The appliance must be connected to the water mains using new hose-sets. The old hose-sets should not be reused.

- The inlet and drain hoses can be directed to left or right.

IMPORTANT

The dishwasher can be connected to either cold or hot water, as long as it is no hotter than 60°C.

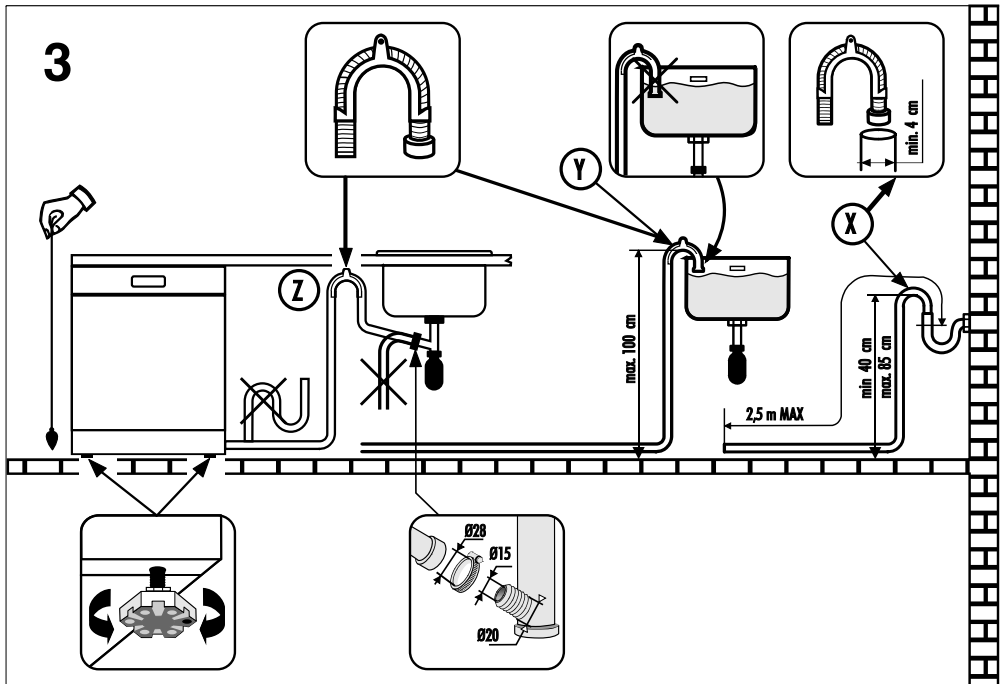
- Water pressure must be between 0,08 MPa and 0,8 MPa.
- The inlet hose must be connected to a tap so that the water supply can be cut off when the machine is not in use (fig. 1 B).
- The dishwasher is fitted with 3/4" threaded connector (fig. 2).
- Connect inlet hose "A" to water tap "B" with a 3/4" attachment making sure that it has been properly tightened.
- If it is necessary, the inlet pipe can be lengthened up to 2,5 m. The extension pipe is available from the After Sales Service Centre.
- If the dishwasher is connected to new pipes or to pipes which have not been in use for a long time run water through for a few minutes before connecting the inlet hose. In this way no deposits of sand or rust will clog up the water inflow filter.



Connecting the outlet hose

- The outlet hose should discharge into a standpipe, making sure that there are no kinks (fig. 3).
- The standpipe must be at least 40 cm above floor level and it must have an internal diameter of at least 4 cm.
- It is advisable to fit an anti-odour air trap (fig. 3X).
- If necessary the outlet hose can be extended up to 2,5 m, provided that it is kept at a maximum height of 85 cm above floor level. The extension pipe is available from the After Sales Service Centre.

- The hose can be hooked over the side of the sink, but it must not be immersed in water, in order to prevent water from being syphoned back to the machine when this is in operation (fig. 3Y).
- When installing the appliance under a worktop the hose pipe clamp must be attached to the wall in the highest possible position under the worktop (fig. 3Z).
- Check that there are no kinks in the inlet and outlet hoses.



LOADING THE SALT

- The appearance of white stains on dishes is generally a warning sign that the salt container needs filling.
- On the bottom of the machine there is a container for the salt for regenerating the softener.
- It is important to use only a salt that is specifically designed for dishwasher. Other types of salt contain small quantities of insoluble particles which over a long period of time may affect and deteriorate the softener performance.
- To add salt, unscrew the cap of the container on the bottom and then refill the container.
- During this operation a little water will overflow; but keep adding salt until the container is full. When the container is full, clean the thread of salt residue and retighten the tap.
- After loading the salt, it is recommended running a complete washing cycle, or COLD RINSE programme.

IMPORTANT

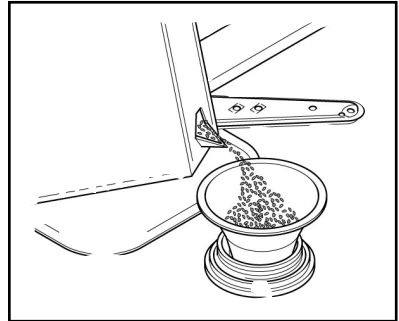
After loading the salt, YOU MUST run a complete washing cycle, or the PRE-WASH/COLD RINSE/REFRESH programme.

- The salt dispenser has a capacity of between 1.5 and 1.8 kg and, for efficient use of the appliance, it should be refilled from time to time according to the regulation of the water softener unit.

IMPORTANT

(Only for first start up)

When the appliance is used for the first time, after completely filling the salt container, it is necessary to add water until the container overflows.

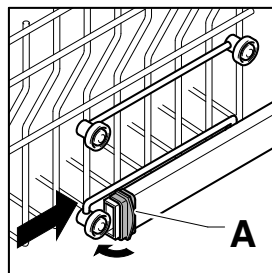
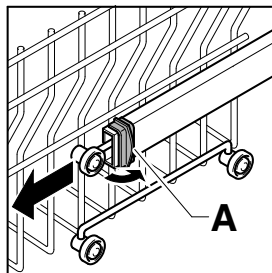


ADJUSTMENT OF THE UPPER BASKET

If 29 cm to 32,5 cm plates are normally used, load them onto the lower basket after the upper basket has been placed in its upper position and proceed as detailed below:

1. Turn the front stops "A" outwards;
2. Take out the basket and remount it in the upper position;
3. Replace the blocks "A" in their original position.

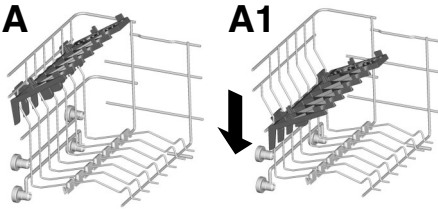
Dishes that are bigger than 20 cm in diameter can no longer be loaded onto the upper basket and the mobile supports cannot be used when the basket is in the upper position.



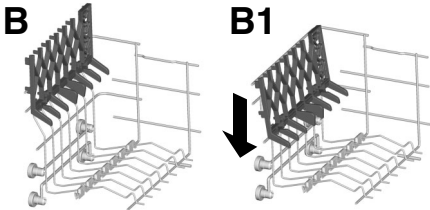
LOADING DISHES

Using the upper basket

- The upper basket is provided with mobile racks hooked to the sides of the basket, which can be regulated into 4 positions.
- In the lowered position (**A-A1**) the racks may be used for such items as: tea and coffee cups, kitchen knives and ladles. Also glasses with stems may be safely hung on the ends of the racks.



- In the upright position (**B-B1**) the racks allow you to load dinner plates and soup plates. Plates should be loaded vertically with the underside of the plate towards the back of the dishwasher with a space between each plate to allow water to pass freely.

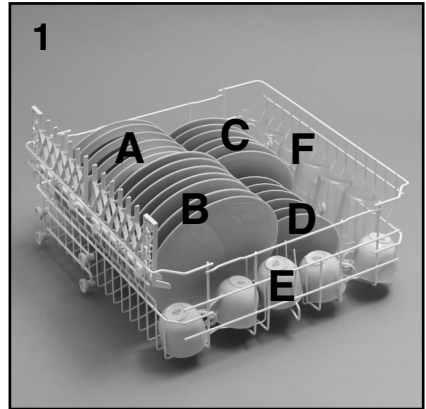


- It is advisable to load large plates (approx. 26 or more cm) slightly tilted towards the rear to facilitate introduction of the basket into the machine.
- Salad bowls and plastic bowls may also be loaded on the upper basket. It is advisable to block these in place so that the jets of water do not make them overturn.
- The upper basket has been designed to offer maximum flexibility in use and can be loaded with up to 24 plates on two rows, up to 30 glasses on five rows or a mixed load.

A standard daily load is represented in figs. 1, 2 and 3.

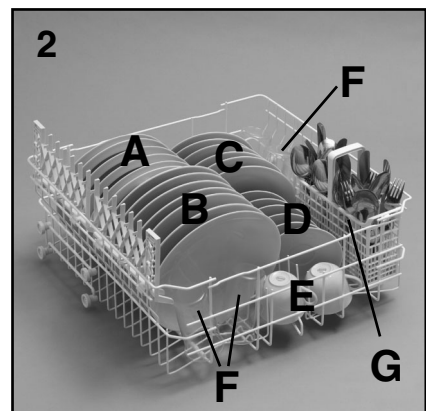
Upper basket (fig. 1)

- A = soup plates
- B = dinner plates
- C = dessert plates
- D = saucers
- E = cups
- F = glasses



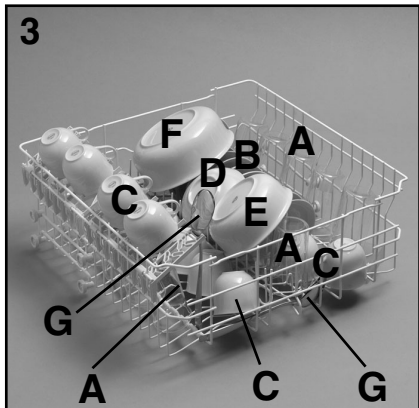
Upper basket (fig. 2)

- A = soup plates
- B = dinner plates
- C = dessert plates
- D = saucers
- E = cups
- F = glasses
- G = single section cutlery basket



Upper basket (fig. 3)

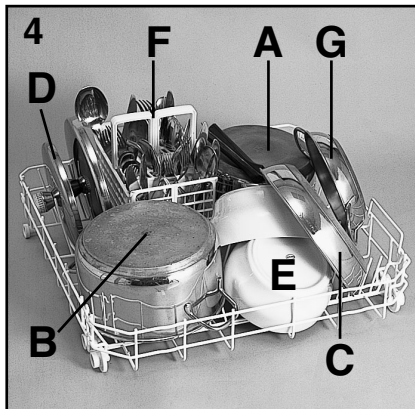
- A = glasses
- B = saucers
- C = cups
- D = small bowl
- E = medium bowl
- F = large bowl
- G = serving spoons



A standard daily load is represented in **figs. 4 and 5**.

Lower basket (fig. 4)

- A = medium-sized saucepan
- B = large saucepan
- C = frying pan
- D = lids
- E = tureens, serving dishes
- F = cutlery
- G = oven dishes



Using the lower basket

- Saucepans, oven dishes, tureens, salad bowls, lids, serving dishes, dinner plates, soup plates and ladles can be loaded on the lower basket.
- Place the cutlery in the plastic cutlery holder with the handles pointing upwards.
- Place the cutlery holder on the lower basket (**fig. 4 and 5**), making sure that the cutlery does not get in the way of the rotating arms.

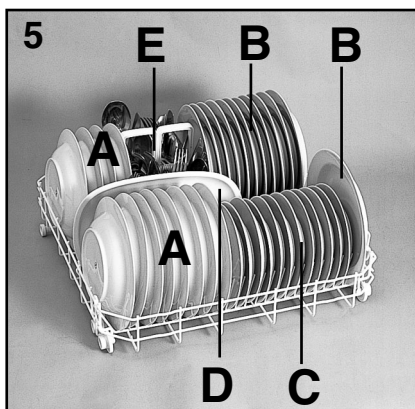
IMPORTANT

The lower basket has a safety-stop device, for its safe extraction, also especially useful with a full load.

For loading salt, cleaning filter and for ordinary maintenance, the complete extraction of the basket is necessary.

Lower basket (fig. 5)

- A = soup plates
- B = dinner plates
- C = dessert plates
- D = serving dish
- E = cutlery



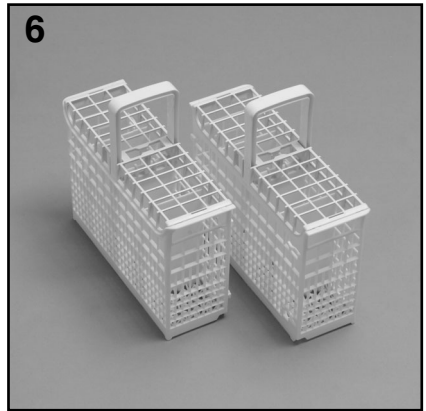
Please load the dishwasher sensibly to ensure the best wash results.

Cutlery basket (fig. 6)

The cutlery basket is made with two detachable parts which will enable various loading options.

The two parts can be detached by sliding the left section away from the right section.

The top of cutlery basket can be removed, for enable various loading options.



INFORMATION FOR THE TEST LABORATORIES

Please ask information required for comparison testing and measuring noise levels, according to EN normative, to the following address:

testinfo-dishwasher@candy.it

In the request, please specify model name and number of the dishwasher (see rating plate).

LOADING THE DETERGENT

The detergent

IMPORTANT

It is essential to use a detergent that is specifically designed for dishwashers either in powder, liquid or tablet form.

Unsuitable detergents (like those for washing up by hand) do not contain the proper ingredients for use in a dishwasher, and stop the dishwasher from working correctly.

Filling the detergent container

The detergent container is inside the door (fig. A "2"). If the lid of the container is closed, press the button (A) to open.

At the end of every wash cycle the lid is always open and ready for the next time the dishwasher is used.

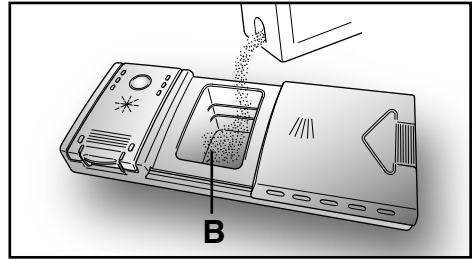
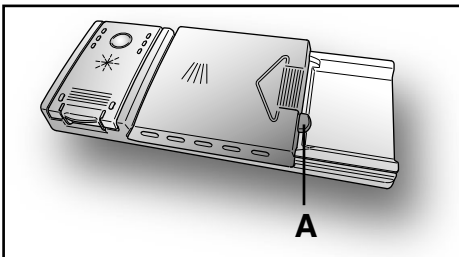


WARNING!

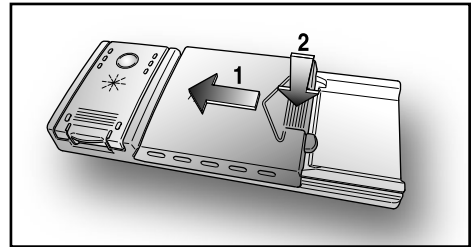
When loading the lower basket, please ensure that the plates or others do not obstruct the detergent dispenser.

The amount of detergent to be used varies according to how dirty the dishes are and on the type of dishes to be washed.

We advise using 20-30 g of detergent in the wash section of detergent compartment (B).



After pouring the detergent into the container, close the lid, firstly pushing (1) and then pressing on it (2) until you hear the click.



Since not all detergents are the same the instructions on the boxes of detergent can vary. We should just like to remind users that too little detergent does not clean the dishes properly whilst too much detergent will not produce better results and is also a waste.

IMPORTANT

Do not use an excessive amount of detergent and help limit damage to the environment at the same time.

TYPES OF DETERGENT

Detergent tablets

Detergent tablets of different manufacturers dissolve at different speeds, for this reason, during short programmes, some detergent tablets may be not fully effective, because they are not completely dissolved. If these products are used, is recommended to choose longer programmes to guarantee the complete use of the detergent.

IMPORTANT

To get satisfactory washing results, the tablets MUST be placed in the wash section of the detergent container and NOT directly in the tub.

Concentrated detergents

The concentrated detergents, with reduced alkalinity and with natural enzymes, in conjunction with 50°C wash programmes, have a smaller impact on the environment and they protect the dishes and the dishwasher.

The 50°C wash programmes purposely exploit the dirt-dissolving properties of the enzymes, allowing therefore, with the use of the concentrated detergents, to achieve the same results of the 65°C programmes but at a lower temperature.

Combined detergents

The detergents that also contain the rinse aid must be placed in the wash section of the detergent container. The rinse aid container must be empty (if it is not empty, set the rinse aid regulator to lowest position before using combined detergents).

"ALL in 1" combined detergents

If you are planning to use "ALL in 1" ("3 in 1" / "4 in 1" / "5 in 1", etc.) combined detergents i.e. those with built in salt and/or rinse agent, we would advise the following:

- read carefully and follow the manufacturer's instructions given on the packaging;

- the effectiveness of detergents containing the built in water softener/salt depends on the hardness of your water supply. Check that the hardness of your water supply is within the effective range given on the detergent packaging.

If when using this type of product, you don't get satisfactory washing results, please contact the detergent manufacturer.

In certain circumstances use of combined detergents can cause:

- limescale deposits on dishes or in the dishwasher;
- a reduction in washing and drying performance.

IMPORTANT

Any problems which arise as a direct result of the use of these products are not covered by our warranty.

Please note that using the "ALL in 1" combined detergents, the rinse aid and salt indicator lights (only used on selected models) are superfluous, so you must ignore the lights.

If washing and/or drying problems occur, we recommend you return to use traditional separate products (salt, detergent and rinse agent). This will ensure that the water softener in the dishwasher operates correctly.

In this case, we recommends that you:

- refill both the salt and rinse aid container;
- run one normal washing cycle without a load.

Please note that on return to the use of conventional salt, a number of cycles will be required before the system becomes fully efficient again.

LOADING THE RINSE AID

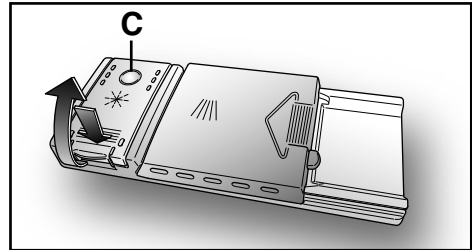
The rinse aid

The rinse aid, which is automatically released during the last rinsing cycle, helps the dishes to dry quickly and prevents spots and stains forming.

Filling the rinse aid container

The rinse aid container can be found to the left of the detergent container (**fig. A "3"**). To open the lid, push the reference mark and, in the same time, pull the tab of opening.

It is always advisable to use rinse aid that is specifically designed for dishwasher. Check the rinse aid level through the indicator eye (**C**) which is located on the dispenser.



FULL

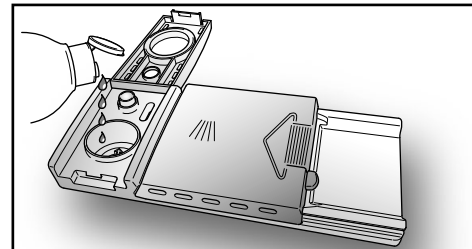


dark

EMPTY



light



Regulating the rinse aid from 1 to 6

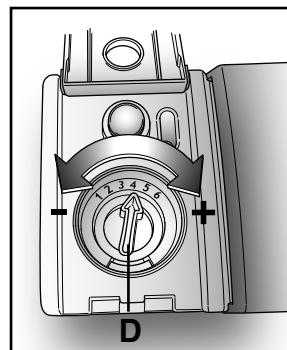
The regulator (**D**) is placed under the lid and can be turned using a coin.

The recommended position is 4.

The limestone content of the water considerably affects the formation of limescale and the drying performance.

It is therefore important to regulate the quantity of rinse aid to achieve good washing results.

If, after the wash, streaks occur on the dishes, decrease the amount by one position. If whitish spots occur, increase the amount by one position.



CLEANING THE FILTERS

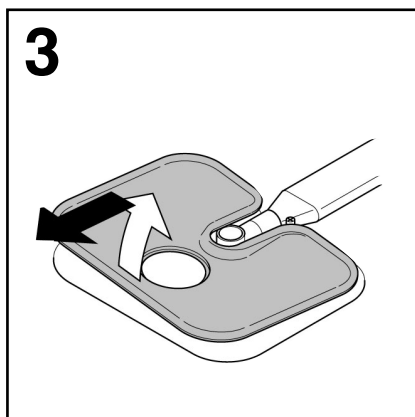
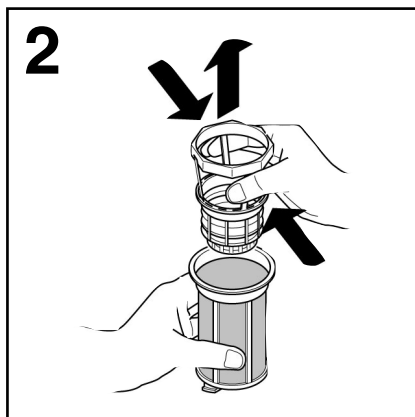
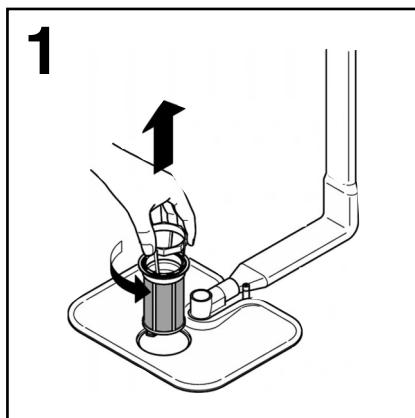
The filter system (**fig.A “4”**) consists of:

a central **container** that traps the larger particles;

a **flat gauze** that continuously filters the wash water;

a **micro filter**, located beneath the gauze, that traps the tiniest particles ensuring a perfect rinse.

- To achieve excellent results every time, the filters should be checked and cleaned after each wash.
- To remove the filter unit, simply turn the handle anticlockwise (**fig. 1**).
- For ease of cleaning, the central container is removable (**fig. 2**).
- Remove the gauze filter (**fig.3**) and wash the whole unit under a jet of water. If necessary a small brush can be used.
- With the **Self-cleaning Micro filter**, maintenance is reduced and the filter unit need only be checked every two weeks. Nevertheless, after each wash it is advisable to check that the central container and the gauze filter are not clogged.



WARNING!

After cleaning the filters, make sure that they are correctly reassembled and that the gauze filter is properly positioned at the bottom of the dishwasher.

Make sure that the filter is screwed back, clockwise, into the gauze, as poor seating of the filter unit could have an adverse effect on the efficiency of the appliance.

IMPORTANT

Never use the dishwasher without the filters.

PRATICAL HINTS

How to get really good wash results

- Before placing the dishes in the dishwasher, remove any remaining food (bones, shells, pieces of meat or vegetables, coffee grounds, skin of fruit, cigarette ash, tooth picks etc. to avoid blocking the filters, water outlet and washing arm nozzles.
- Try not to rinse the dishes before loading them into the dishwasher.
- If saucepans and oven dishes are encrusted with the remains of burnt or roast food, it is advisable to leave them to soak before washing.
- Place the dishes face downwards.
- Try to place the dishes in such a way that they are not touching one another. If they are loaded properly you will get better results.
- After loading the dishes check that the washing arms can rotate freely.
- Pans and other dishes that have particularly stubborn food particles or remnants of burnt food should be left to soak in water with dishwasher detergent.
- To wash silver properly:
 - a) rinse the silver immediately after use, especially if it has been used for mayonnaise, eggs, fish etc.;
 - b) do not sprinkle detergent onto it;
 - c) keep it separate from other metals.

How to make savings

- If you want the dishwasher to give a complete wash, place the dishes in the dishwasher at the end of each meal and if necessary turn on the COLD RINSE cycle to soften the food remains and remove bigger particles of food from the new load of dishes.
When the dishwasher is full start the complete wash cycle programme.
- If the dishes are not very dirty or if the baskets are not very full select an ECONOMY programme, following the instructions in the program list.

What not to wash

- It should be remembered that not all dishes are suitable for washing in a dishwasher. We advise against using the dishwasher to wash items in thermoplastic, cutlery with wooden or plastic handles, saucepans with wooden handles, items in aluminium, crystal, leaded glass unless otherwise stated.
- Certain decorations may fade. It is therefore a good idea before loading the whole batch to wash just one of the items first so as to be sure that others like it will not fade.
- It is a good idea not to put silver cutlery with non-stainless steel handles into the dishwasher as there could be a chemical reaction between them.

IMPORTANT

When buying new crockery or cutlery always make sure that they are suitable for washing in a dishwasher.

Useful hints

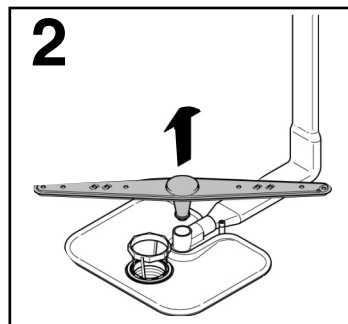
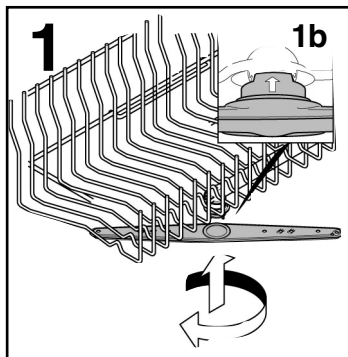
- In order to avoid any dripping from the top rack, remove the lower rack first.
- If the dishes are to be left in the machine for some time, leave the door ajar, to let some air circulate and to improve the drying performance.

CLEANING AND MAINTENANCE

- To clean the dishwasher outside, do not use solvents (degreasing action) neither abrasives, but only a cloth soaked with water.
- The dishwasher does not require special maintenance, because the tank is self-cleaning.
- Regularly wipe the door gasket with a damp cloth to remove any food remains or rinse aid.
- It is advisable to remove limestone deposits or dirt periodically, by doing an empty wash; pour a glass of vinegar on the bottom of the tank and select the light wash.
- If, in spite of the routine cleaning of the filters, you notice that the dishes or pans are not properly washed or rinsed, check that all the spray heads on the rotor arms (fig. A “5”) are clear.

If they are blocked, clean them in the following way:

1. to remove the upper rotor arm, turn it until it lines up with the stop marked by the arrow (fig. 1). Push it upwards (fig. 1b) and, keeping it pushed in, unscrew it in a clockwise direction (to reassemble it repeat the same operation, but turn it anticlockwise). The lower rotor arm can be removed simply by pulling it upwards (fig. 2);
 2. wash the rotor arms under a jet of water to clear any blockage in the spray heads;
 3. when you have finished, refit the rotor arms in the same position, remembering to re-align the arrow and screw into position.
- Both the door lining and the tank lining are in stainless steel; however, should spots caused by oxidation occur, this is probably due to a high level of iron salts presents in the water.
 - The spots can be removed with a mild abrasive agent; never use chlorine based materials, steel wool, etc.



WHEN CYCLE IS FINISHED

After every wash it is essential to turn off water supply and to switch off the machine by pressing the On/Off button to the off position.

If the machine is not going to be used for some time, it is advisable to follow these rules:

1. do an empty wash with detergent in order to clean the machine of any deposits;
2. pull out the electric plug;
3. turn off the water tap;
4. fill the rinse aid container;
5. leave the door ajar;
6. keep the inside of the machine clean;
7. If the machine is left in places where the temperature is below 0°C any water left inside the pipes may freeze. Wait until the temperature rises above zero and then wait for about 24 hours before starting up the dishwasher.

DESCRIPTION OF THE CONTROL PANEL



- A** "ON/OFF" button
- B** "PROGRAMME SELECTION" button
- C** "DELAY START" button
- D** "EXPRESS" option button
- E** "ALL IN 1" option button
- F** "START"/"RESET" button
(start/cancelling programme)
- G** "OPTION SELECTION" lights
- H** DIGITAL DISPLAY
- I** Programme guide
- L** SMART TOUCH Area

DIMENSIONS		
	With working top	Without working top
Width x Height x Depth (cm)	60 x 85 x 60	59,8 x 82 x 57,3
Depth with door open (cm)	120	117
TECHNICAL DATA		
EN 50242 place load	13	
Capacity with pans and dishes	8 persons	
Water supply pressure (MPa)	Min. 0,08 - Max. 0,8	
Fuse / Power input / Supply voltage	See rating plate	
CONSUMPTION (main programmes)*		
Programme	Energy (kWh)	Water (L)
HYGIENIC	2,08	20,5
UNIVERSAL	1,53	14,5
ECO	1,04	12
ULTRA RAPID 24'	0,59	9
Power consumption of the off-mode and of the left-on mode: 0,45 W / 0,45 W		
*Values are measured in a laboratory according to European Standard EN 50242 (consumption may vary according to conditions of usage).		

PROGRAMME SELECTION AND SPECIAL FUNCTIONS

(Use in conjunction with programme guide)

Programme settings

- Open the door and place the dirty dishes inside the appliance.
- Press the "ON/OFF" button for about 2 seconds. The display will show two lines.
- Choose a programme by pressing the "PROGRAMME SELECTION" button.
- If you wish to select an option, press the corresponding button (the indicator light will turn on).

*The option buttons can be selected or deselected **WHITIN** one minute of the programme commencing.*

- Press the "START" button.
The length of the program will be shown on the display alternating hours with minutes [i.e: 1 h (1 hour) / 25 (25 minutes)].
- When the door is shut, after an audible signal has sounded, the programme will start automatically. The display will show the time remaining to the end of the cycle.

WITHIN one minute of the programme commencing, another programme can be selected, simply by pressing the "PROGRAMME SELECTION" button.

Programme interruption

Opening the door when a programme is running is not recommended especially during the main wash and final hot rinse phases. However, if the door is opened while a programme is running (for example, to add

dishes) the machine stops automatically and the display will flash the remaining time before the end of the cycle. Close the door, **without pressing any buttons**. The cycle will start from where it left off.

IMPORTANT

A running program can be interrupted without opening the door by pressing the "ON/OFF" button. In this case, simply press the "ON/OFF" button again to restart the cycle from where it left off.



WARNING!

If you open the door during the drying cycle, an audible audio signal advises you that the drying cycle has not yet finished.

Changing a running programme

Proceed as follows to change or cancel a running program:

- Hold the "RESET" button down for at least **3** seconds. "00" will appear on the display and some audible signals will sound.
- The running programme will be cancelled. The display will show two lines.
- At this point a new programme can be set.



WARNING!

Before starting a new programme, you should check that there is still detergent in the dispenser. If necessary, top up the dispenser.

Programme operations

Whilst a programme is running, the display shows the time remaining to the end of the cycle, which is automatically updated.

If there is any break in the power supply while the dishwasher is operating, a special memory stores the selected programme and, when the power is restored, it continues where it left off.

Programme end

A 5 second alarm will sound (if not muted) 3 times at 30 second intervals to signal that the programme has ended.
The dishwasher will automatically switch off.

Option buttons

"EXPRESS" button

This button provides an energy and time saving of 25% on average (according to the select cycle) reducing the wash water temperature and the drying time during the final rinse.

This programme is recommended for light soil washes, and for slightly wet dishes that are not fully dry, & improved drying results. We advise you to leave the door of the Dishwasher half-open at the end of the cycle, to allow for a natural circulation of air inside the dishwasher.

"ALL IN 1" button

This option optimises the use of "ALL in 1" ("3 in 1"/"4 in 1"/"5 in 1", ecc.) combined detergents.

By pressing this button, the selected washing programme is modified to get best performance from combined detergents (furthermore, the salt empty alert will be de-activated).



WARNING!

Once selected, this option keeps being on (light on) also for next washing cycles and it can be de-activate (light off) only by pressing the button once again.

IMPORTANT

This option is recommended when using the ULTRA RAPID 24' program, the duration of which will be extended for about 15 minutes, allowing the detergent tablets to achieve a better performance.

Salt empty alert

If your dishwasher requires filling with salt, the display will show and flash "SL" when the dishwasher is switched on.

The appearance of white stains on dishes is generally a warning sign that the salt container needs filling.

"DELAY START" button

Dishwasher start time can be set with this button, delaying start from 1 to 23 hours.

Proceed as follows to set a delayed start:

- Press the "**DELAY START**" button ("**00**" will appear on the display).

- Press the button again to increase the delay in hours (each time the button is pressed the delay is increased by 1 hour to a maximum of 23).

- To start the countdown, press the "**START**" button.
The display will show the time remaining to the begin of the programme.

At the end of the countdown, the programme will automatically start and the length of the selected cycle will be shown in the display.

Proceed as follows to cancel a delayed start:

- Hold the "**RESET**" button down for at least **3** seconds. "**00**" will appear on the display and some audible signals will sound.

- The delayed start and the selected programme will be cancelled.
The display will show two lines.

- At this point, a new programme and option buttons must be set to start a new programme as indicated in the "**PROGRAMME SETTINGS**" section.

Alarm mute for the PROGRAMME END

The alarm **for the programme end** may be muted as follows:

IMPORTANT
The dishwasher must **ALWAYS** be off before start of this procedure.

1. Hold down the "**PROGRAMME SELECTION**" button and at the same time **switch on** the dishwasher by pressing the "**ON/OFF**" button (a brief audible signal will sound).

2. Keep the "**PROGRAMME SELECTION**" button pressed for at least **15** seconds (during this time **2** audible signals will sound).

3. Release the button when the **second** audible signal sounds ("**b1**" will appear on the display to indicate that the alarm is on).

4. Press the same button again ("**b0**" will appear on the display to indicate that the alarm is off).

5. Turn off the dishwasher by pressing the "**ON/OFF**" button to confirm the new setting.

To turn the alarm on again, follow the same procedure.

Memorization of the last programme used

The last programme used can be memorized by following the below:

IMPORTANT

The dishwasher must ALWAYS be off before start of this procedure.

1. Hold down the "**PROGRAMME SELECTION**" button and at the same time **switch on** the dishwasher by pressing the "**ON/OFF**" button (a brief audible signal will sound).
2. Keep the "**PROGRAMME SELECTION**" button pressed for at least **30** seconds (during this time, **3** audible signals will sound).
3. Release the button when the **THIRD** audible signal sounds ("**A0**" will appear on the display to indicate that the memorization is off).

4. Press the same button again ("**A1**" will appear on the display to indicate that the memorization is on).
5. Turn off the dishwasher by pressing the "**ON/OFF**" button to confirm the new setting.

To disable the memorization, follow the same procedure.

IMPORTANT

This dishwasher is equipped with an anti-overflow safety device which will automatically discharge any excess water should a problem occur.



WARNING!

To ensure the correct operation of the anti-overflow safety device, we recommend that the dishwasher is not moved or tilted during operation. If however it is necessary to tilt or move the dishwasher, please ensure that the washing cycle is complete and that there is no remaining water inside the dishwasher.

The dishwasher is able to signal a series of faults in the display.

AUTOMATIC FAULT SIGNALS

FAULTS	CAUSE	SOLUTION
E2 appears on the display and the alarm sounds.	No water (inlet hose closed).	Turn off the dishwasher, open the inlet hose and reset the cycle.
E3 appears on the display and the alarm sounds.	The machine cannot drain water.	Check if the drain tube is bent or if the siphon or filters are clogged. If the problem persists, contact Customer Service.
E4 appears on the display and the alarm sounds.	Water leak	Check if the drain tube is bent or if the siphon or filters are clogged. If the problem persists, contact Customer Service.
E5,E6,E7,Ef or EL appears on the display and the alarm sounds.	Electronic control fault.	Contact Customer Service.
E8 or Ei appear on the display and the alarm sounds.	The water heating element is not working correctly or the filter plate is clogged.	Clean the filter plate. If the problem persists, contact Customer Service.

SMART TOUCH

This appliance is equipped with **Smart Touch** technology that allows you to interact, via the App, with smartphones based on Android operating system and equipped with NFC (Near Field Communication) function.

- Download on your smartphone the **Candy simply-Fi** App.

The Candy simply-Fi App is available for devices running both Android and iOS, both for tablets and for smartphones. However, you can interact with the machine and take advantage of the potential offered by Smart Touch only with Android smartphones equipped with NFC technology, according to following functional scheme:

Android smartphone with NFC technology	Interaction with the machine + contents
Android smartphone without NFC technology	Contents only
Android Tablet	Contents only
Apple iPhone	Contents only
Apple iPad	Contents only

FUNCTIONS

The main functions available using the App are:

- **Voice Assistant** – A guide to help you choose the ideal cycle with only three voice inputs (dishes, load level, stain level).
- **Cycles** – To select and launch new additional washing programmes.
- **Smart Care** – Advanced settings, Water Hardness, **"Smart Check-up"**, Filter-Clean and a troubleshooting guide.

- **My Statistics** – Washing statistics and tips for a more efficient use of your machine.

Get all the details of the Smart Touch functions, browsing the App in DEMO mode or go to:
www.candysmarttouch.com

HOW TO USE SMART TOUCH

FIRST TIME - Machine registration

- Enter the **"Settings"** menu of your Android smartphone and activate the NFC function inside the **"Wireless & Networks"** menu.

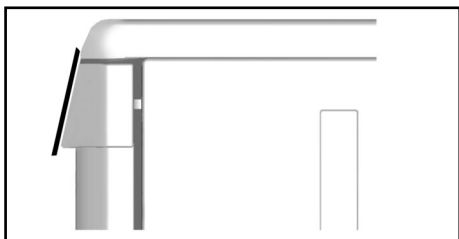
Depending on the smartphone model and its Android OS version, the process of the NFC activation may be different. Refer to the smartphone manual for more details.

- Switch the appliance on, then enable the **Smart Touch** mode by selecting the programme **"P0"**.
- Open the App, create the user profile and register the appliance following the instructions on the phone display or the **"Quick Guide"** attached on the machine.

Ulteriori informazioni, le F.A.Q. ed il video per una facile registrazione del prodotto sono disponibili su:
www.candysmarttouch.com/how-to

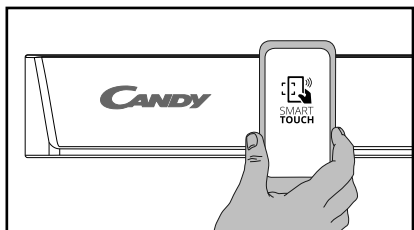
NEXT TIME – Regular usage

- Every time you want to manage the machine through the App, first you have to enable the **Smart Touch** mode by switching the appliance on, then selecting the programme "**P0**".
- Make sure you have unlocked your phone (from stand-by mode) and you have activated the NFC function; then, follow the steps mentioned earlier.
- If you want to start a washing cycle, load the dishes, the detergent and close the door of the appliance.
- Close the door of the appliance.
- Select the desired function in the App (e.g.: starting a programme, the "**Smart Check-up**" cycle, update statistics, etc...).
- Follow the instructions on the phone display, **KEEPING IT ON** the **Smart Touch** logo on the machine dashboard, when requested to do so by the App.



NOTES:

Place your smartphone so that the NFC antenna on its back matches the position of the Smart Touch logo on the appliance (as illustrated below).



If you do not know the position of your NFC antenna, slightly move the smartphone in a circular motion over the Smart Touch logo until the App confirms the connection. In order for the data transfer to be successful, it is essential TO KEEP THE SMARTPHONE ON THE DASHBOARD DURING THESE THE FEW SECONDS OF THE PROCEDURE; a message on the device will inform about the correct outcome of the operation and advise you when it is possible to move the smartphone away.

Thick cases or metallic stickers on your smartphone could affect or prevent the transmission of data between machine and telephone. If necessary, remove them.

The replacement of some components of the smartphone (e.g. back cover, battery, etc...) with non-original ones, could result in the NFC antenna removal, preventing the full use of the App.


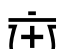
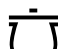








The management and the control of the machine via App is only possible "by proximity": it is therefore not possible to perform remote operations (e.g.: from another room; outside of the house).

PROGRAMME GUIDE

Wash with prewash

For wash programmes with prewash, it is advisable to add a second dose of detergent (max. 10 g) directly in the machine.

Programme	Description
-----------	-------------

P 1		Hygienic 75°C	An antibacterial cycle, intended for washing and sterilising dishes (even heavily stained ones) babies' bottles etc.
P 2		Universal+ 70°C	Intended for everyday dishwashing. Two final rinses ensure a high level of hygiene and cleanliness.
P 3		Universal 60°C	Once a day - for normal soiled pans and any other items that have been left all day for washing.
P 4		Daily 55°C	Fast cycle, for "normally" dirty dishes - intended for frequent washes and normal loads.
P 5		Eco 45°C	Programme for normally soiled tableware (the most efficient in terms of its combined energy and water consumption for that type of tableware). Programme standardised to EN 50242.
P 6		Delicate 45°C	Suitable for delicate crockery and glassware. Also for less soiled items excluding pans.
P 7		Rapid 59' 65°C	Suitable for heavily soiled items that are to be washed straight after a meal (Max 8 place load).
P 8		Ultra Rapid 24' 50°C	Quick wash for dishes which are to be washed immediately after the meal. Wash load of 6 persons.
P 9		Refresh	Short cold pre-wash for items that are stored in the dishwasher until you are ready to wash a full load.
P 0		Smart Touch 	Activation of Smart Touch mode, to enable the interaction between the appliance and the Candy simply-Fi App. Before the first use with the App, this position will be occupied by Hygienic program.

N/A = OPTION NOT AVAILABLE

Check list					Programme contents						Average duration in minutes	Special function buttons available		
Detergent for soaking (Prewash)	Detergent for washing	Clean filter	Check rinse aid dispenser	Check salt container	Hot pre-wash	Cold pre-wash	Main wash	First cold rinse	Second cold rinse	Hot rinse with rinse aid	With cold water (15°C)* -Tolerance ± 10%-	"DELAY START" button	"EXPRESS" button	"ALL IN 1" button

●	●	●	●	●	○		75°C	○	○	○	130	YES	YES	YES
	●	●	●	●		○	70°C	○	○	○	120	YES	YES	YES
	●	●	●	●		○	60°C	○		○	125	YES	YES	YES
	●	●	●	●		○	55°C	○		○	80	YES	YES	YES
●	●	●	●	●		○	45°C			○	170	YES	YES	YES
	●	●	●	●		○	45°C	○		○	85	YES	YES	YES
●	●	●	●	●	○		65°C			○	59	YES	YES	YES
	●	●	●	●			50°C			○	24	YES	N/A	YES
		●				○					5	YES	N/A	

* WITH HOT WATER THE TIME REMAINING UNTIL THE END OF THE PROGRAMME IS AUTOMATICALLY DISPLAYED WHILE THE PROGRAMME IS RUNNING.

WATER SOFTENER UNIT

Depending on the source of the supply, water contains varying amounts of limestone and minerals which are deposited on the dishes leaving whitish stains and marks. The higher the level of these minerals present in the water, the harder the water is. The dishwasher is fitted with a water softener unit which, through the use of special regenerating salt, supplies softened water for washing the dishes. The degree of hardness of your water can be obtained from your water supply company.

Regulating the water softener

The softener unit can treat water with a hardness of up to 90°fH (French grading) or 50°dH (German grading) through 6 different settings.

The table below lists different degrees of water hardness with the corresponding setting for the softener unit.

Level	Water hardness		Use of regenerating salt	Water softener setting
	°fH (French grading)	°dH (German grading)		
0	0-5	0-3	NO	No indicator lights
1	6-15	4-9	YES	Indicator light 1
2	16-30	10-16	YES	Indicator lights 1,2
*3	31-45	17-25	YES	Indicator lights 1,2,3
4	46-60	26-33	YES	Indicator lights 1,2,3,4
5	61-90	34-50	YES	Indicator lights 1,2,3,4,5 flashing

** The water softener unit is set in the factory at level 3, as this is suitable for the majority of users.*

According to the degree of hardness of your water, regulate the softener unit in the following way:

IMPORTANT

The dishwasher must ALWAYS be off before start of this procedure.

1. Hold down the "**PROGRAMME SELECTION**" button and at the same time **switch on** the dishwasher by pressing the "**ON/OFF**" button (a brief audible signal will sound).
2. Keep the "**PROGRAMME SELECTION**" button pressed for at least **5 seconds**, **UNTIL** an audible signal sounds. Some "**PROGRAMME SELECTION**" indicator lights will come on to indicate the current water softener setting level.
3. Press the same button again to select the required water softener level: each time the button is pressed, one indicator light will come on (the water softener level is indicated by the number of lights on). For **level 0** all lights will be off.
4. Turn off the dishwasher by pressing the "**ON/OFF**" button to confirm the new setting.



WARNING!

If any problem occurs, turn the dishwasher off by pressing the "ON/OFF" button and start the procedure again from the beginning (STEP 1).

IDENTIFYING MINOR FAULTS

Should the dishwasher fail to operate, before contacting the Service Centre, make the following checks:

FAULT	CAUSE	REMEDY
1 - Machine completely dead	Plug is not connected to wall socket	Connect electric plug
	O/I button has not been pressed	Press button
	Door is open	Close door
	No electricity	Check the fuse in the plug and the electricity supply
2 - Machine does not draw water	See causes for no. 1	Check
	Water tap is turned off	Turn water tap on
	Programme selector is not at correct position	Turn programme selector to correct position
	The inlet hose is bent	Eliminate the bends in the hose
	The inlet hose filter is not correctly connected	Clean the filter at the end of the hose
3 - Machine does not discharge water	Filter is dirty	Clean filter
	Outlet hose is kinked	Straighten outlet hose
	The outlet hose extension is not correctly connected	Follow the instructions for connecting the outlet hose carefully
	The outlet connection on the wall is pointing downwards not upwards	Call a qualified technician
4 - Machine discharges water continuously	Position of outlet hose is too low	Lift outlet hose to at least 40 cm above floor level
5 - Spray arms are not heard to rotate	Excessive amount of detergent	Reduce amount of detergent Use suitable detergent
	Item prevents arms from rotating	Check
	Plate and cup filter very dirty	Clean plate and cup filter
6 - On electronic appliances without a display: one or more indicator lights flashing quickly.	Water inlet tap turned off	Switch off the appliance. Turn on the tap. Re-set the cycle.

FAULT	CAUSE	REMEDY
7 - Load of dishes is only partially washed	See causes for no. 5	Check
	Bottom of saucepans have not been washed well	Burnt on food remains must be soaked before putting pans in dishwasher
	Edge of saucepans have not been washed well	Reposition saucepans
	Spray arms are partially blocked	Remove spray arms by unscrewing ring nuts clockwise and wash under running water
	The dishes have not been properly loaded	Do not place the dishes too closely together
	The end of the outlet hose is in the water	The end of the outlet hose must not come into contact with the outflow water
	The incorrect amount of detergent has been measured out; the detergent is old and hard	Increase the measure according to how dirty the dishes are and change detergent
	The wash programme is not thorough enough	Choose a more vigorous programme
	The lower basket dishes have not been washed	Depress half load button
8 - Detergent not dispensed or partially dispensed	Cutlery, dishes, pans, etc... stop the detergent dispenser opening	Position dishes not to obstruct the dispenser
9 - Presence of white spots on dishes	Water is too hard	Check salt and rinse aid level and regulate amount. Should the fault persist, Contact Service Centre
10 - Noise during wash	The dishes knock against one another	Re-check loading of dishes in the basket
	The revolving arms knock against the dishes	Again re-check loading
11 - The dishes are not completely dry	Inadequate air flow	Leave the dishwasher door ajar at the end of the wash program to allow the dishes to dry naturally
	Rinse aid missing	Fill the rinse aid dispenser

N.B.: Should any of the situations occur and should the machine give a bad wash performance, it is necessary to remove the deposits from the dishes by hand since the final drying cycle hardens the deposits which a second wash in the machine would not be able to remove.

If the malfunction continues contact a Service Centre quoting the serial number of the dishwasher. This is found on the plaque on the inside of the dishwasher door at the top or on the guarantee. This information will make it possible to take more effective action more quickly.

The manufacturers decline any responsibility for any printing mistakes in this instruction booklet. They also reserve the right to modify their own appliances as necessary without altering the essential characteristics.

The manufacturer declines all responsibility in the event of any printing mistakes in this booklet. The manufacturer also reserves the right to make appropriate modifications to its products without changing the essential characteristics.

To consult the product fiche, please refer to the manufacturer website.

This appliance is marked according to the European directive 2012/19/EU on Waste Electrical and Electronic Equipment (WEEE).

WEEE contains both polluting substances (which can cause negative consequences for the environment) and basic components (which can be re-used). It is important to have WEEE subjected to specific treatments, in order to remove and dispose properly all pollutants, and recover and recycle all materials.

Individuals can play an important role in ensuring that WEEE does not become an environmental issue; it is essential to follow some basic rules:

- WEEE should not be treated as household waste;

- WEEE should be handed over to the relevant collection points managed by the municipality or by registered companies. In many countries, for large WEEE, home collection could be present.

In many countries, when you buy a new appliance, the old one may be returned to the retailer who has to collect it free of charge on a one-to-one basis, as long as the equipment is of equivalent type and has the same functions as the supplied equipment.



- CDP DS -

17.04 - 41903772