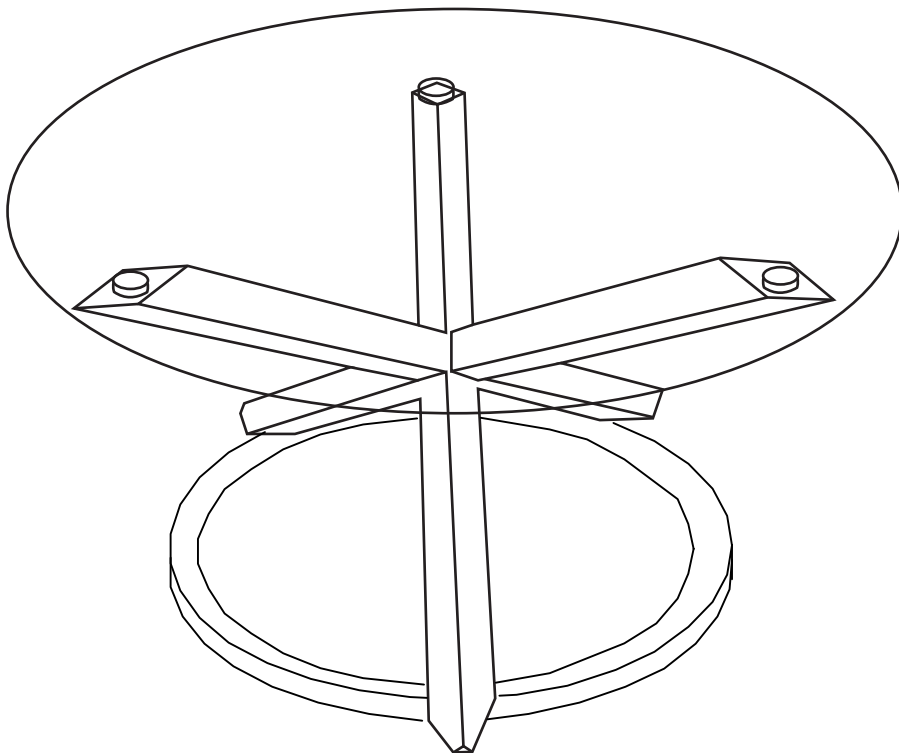


HOME

Alden Coffee Table

SKU 8364353



Care & Instruction Manual

Please read and retain these instructions for future reference



Safety and Care Advice

Important – Please read these instructions fully before starting assembly

Check you have all the components and tools listed on pages 2 and 3.

Remove all fittings from the plastic bags and separate them into their groups.

Keep children and animals away from the work area, small parts could choke if swallowed.

Make sure you have enough space to layout the parts before starting.

Assemble the item as close to its final position (in the same room) as possible.

Assemble on a soft level surface to avoid damaging the unit or your floor.

Assembly requires 2 people.

Do not fully tighten bolts until the whole bed is assembled.

Do not overtighten the nuts to avoid causing damage to the threads.



We do not recommend the use of power drill/drivers **for inserting screws**, as this could damage the unit.

Only use hand screwdrivers and Allen keys.

Dispose of all packaging carefully and responsibly.

Glass safety

● This product complies with BS EN 12521:2010

CAT NO.:836/4353

● Imported by:

Arogs Ltd
489-499 Avebury Boulevard
Central Milton Keynes
MK9 2NW

● P/O No: 12813320180326

● If the glass is chipped or broken) stop using the product and consult the Manufacture or Supplier.

Warnings:

a) Do not place very hot or very cold items on the glass surface(s) unless adequately thick table mats are used to prevent such items from coming into contact with glass..

b) Do not sit or stand upon the glass surface(s)

c) Do not use the glass as a chopping surface. Do not strike the glass with hard or pointed items.

d) When cleaning glass panels use a damp cloth or leather with washing up liquid or soft soap if necessary) do not use washing powders or any other substance containing abrasives since these substances scratch glass.

Care and maintenance

Only clean using a damp cloth and mild detergent, do no use bleach or abrasive cleaners.

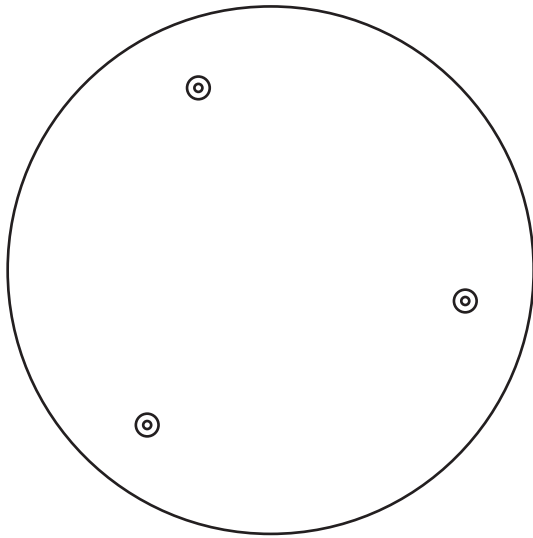
From time to time check that there are no loose screws on this unit.

This product should not be discarded with household waste. Take to your local authority waste disposal centre.

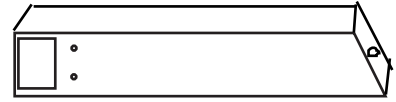
Components - Parts

If you have damaged or missing components.
call the **Customer Helpline**: 0345 077 8888

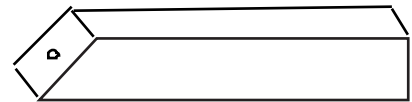
Please check you have all the parts listed below



1 Glass top
(\varnothing 700 x 8 mm thk)



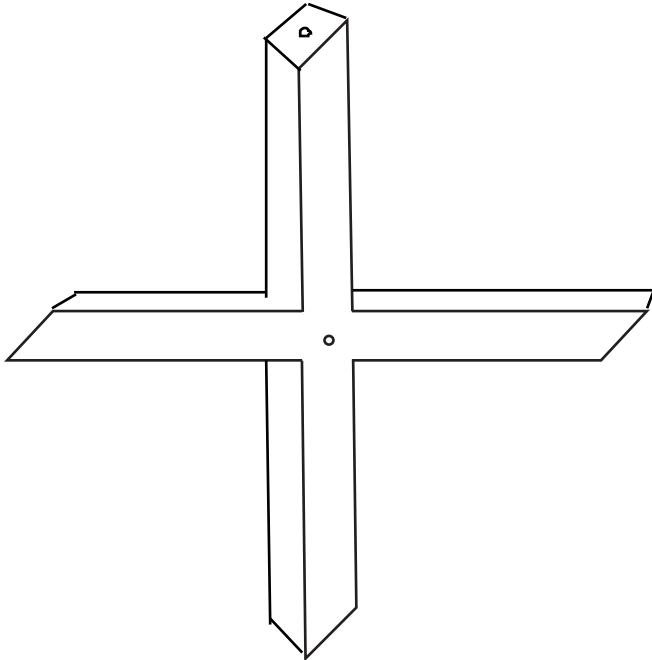
3 Short leg (lower)
(370 x 50 x 50 mm)



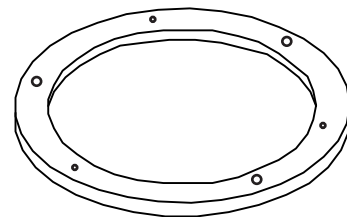
4 Short leg (upper)
(370 x 50 x 50 mm)



5 Cover plate
(70 x 45 mm)



2 Leg Frame
(600 x 550 x 50 mm)







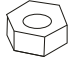
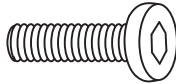

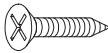


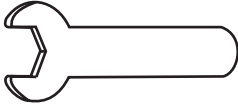


6 Base ring
(610 x 610 x 10 mm)

Components - Fittings

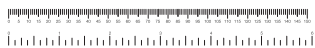
If you have damaged or missing components, call the **Customer Helpline: 0345 077 8888**

Please check you have all the fittings listed below

Note: The quantities below are the correct amount to complete the assembly. In some cases more fittings may be supplied than are required.

<p>A</p>  <p>M10 x 80mm Long Threaded Rod</p>	<p>B</p>  <p>Aluminium Disc x 3</p>	<p>C</p>  <p>Height Adjustable Foot x 3</p>
<p>D</p>  <p>20mm Plain Washer</p>	<p>E</p>  <p>M10 Nut</p>	<p>F</p>  <p>M8 x 20mm Bolt x 3</p>
<p>G</p>  <p>22 mm Plain Washer x 3</p>	<p>H</p>  <p>M5 x 10mm Bolt x 2</p>	<p>J</p>  <p>M4 Grub Screw x 6</p>
<p>K</p>  <p>M8 Short Threaded Rod x 3</p>	<p>L</p>  <p>Spanner x 1</p>	<p>M</p>  <p>M3 Allen key x 1</p>
<p>N</p>  <p>M5 Allen key x 1</p>		

Tools required

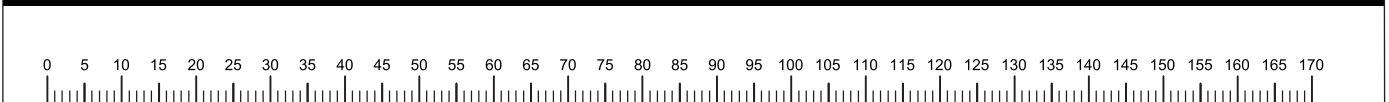


Ruler/tape
measure

screw driver
(not provided)



Ruler - Use this ruler to help correctly identify the screws



Assembly Instructions

Step 1

Assembling leg frame

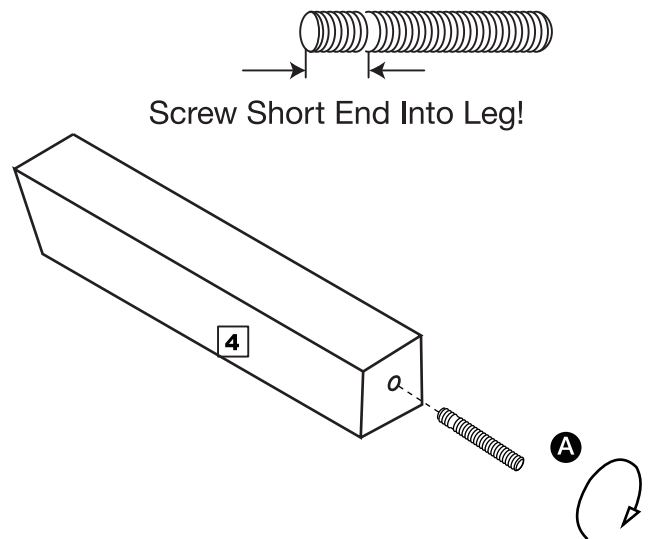
a: Screw threaded rod **A** into upper short leg **4** as shown.

Important: Screw the short end of long threaded rod **A** into leg **4** as shown.

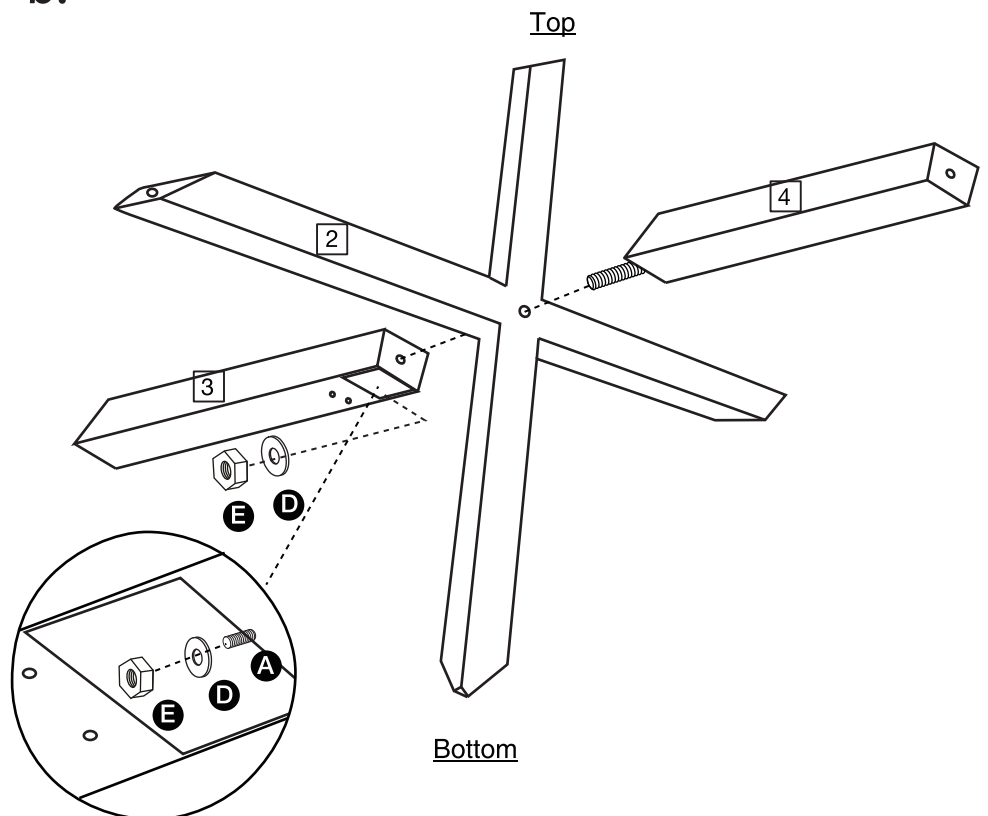
b: Carefully assemble upper and lower short legs **3** and **4** to leg frame **2** using fixings **D** and **E**.

Note: Do not fully tighten fixings at this stage.

a:



b:



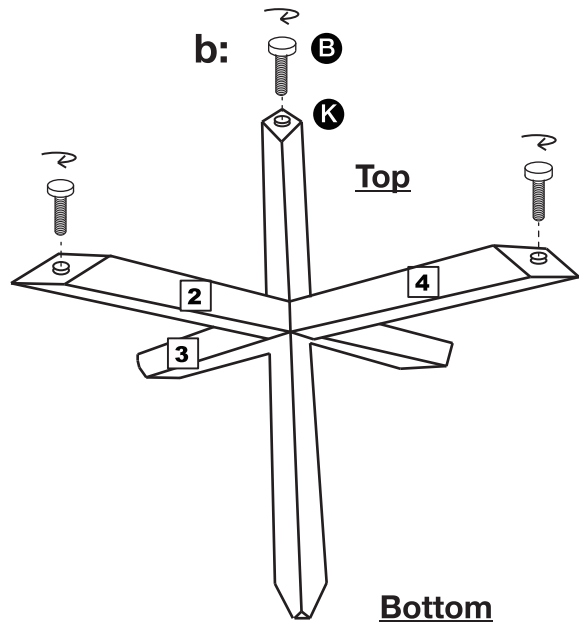
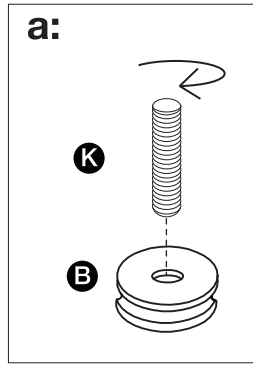
Assembly Instructions

Step 2

Preparing frame

a: Screw short threaded rods **K** into aluminum discs **B** as shown.


b: Screw threaded rods **K** into the holes in the top of the leg frame.



Step 3

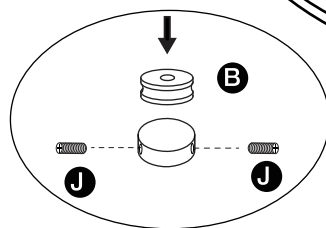
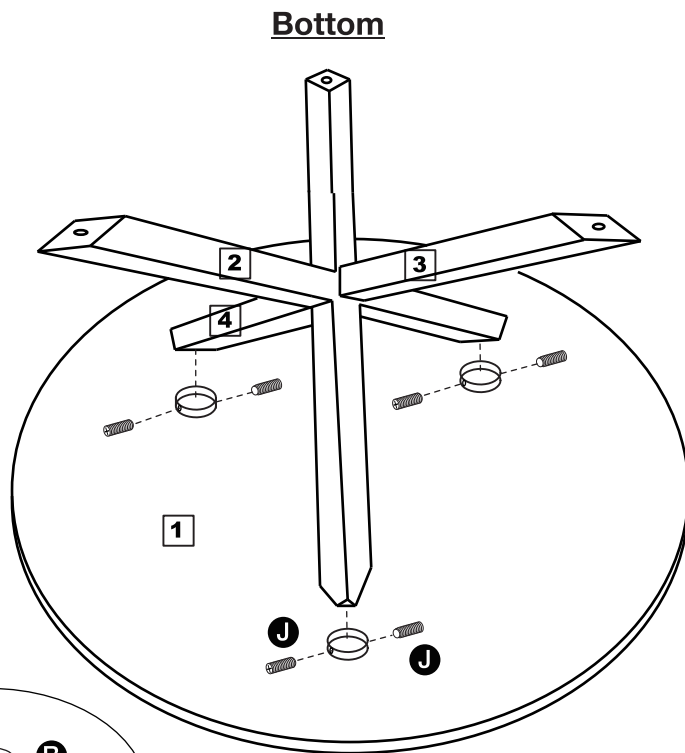
Assembling table top

With help, carefully place glass top **1** upside down onto a clean flat surface.

 **Warning:** The glass top is fragile and heavy. Handle with care.

Carefully turn the leg frame over and align the aluminium discs on the frame with the aluminium discs on the glass top.

Secure using grub screws **J**.



shown upside down!

Assembly Instructions

Step 4

Attaching base ring

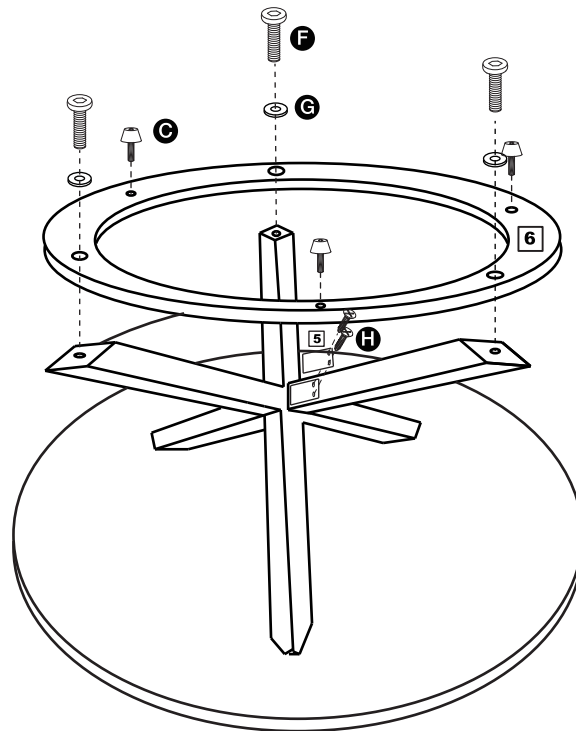
a: Locate base ring **6** into position and loosely secure using fixings **F** and **G**.

Screw height adjustable feet **C** into the holes in base ring **6**.

Once the assembly is complete fully tighten all fixings from the previous steps.


b: Once all fixings are fully tightened, attach cover plate **5** to lower leg **3** using fixings **H**.

a:

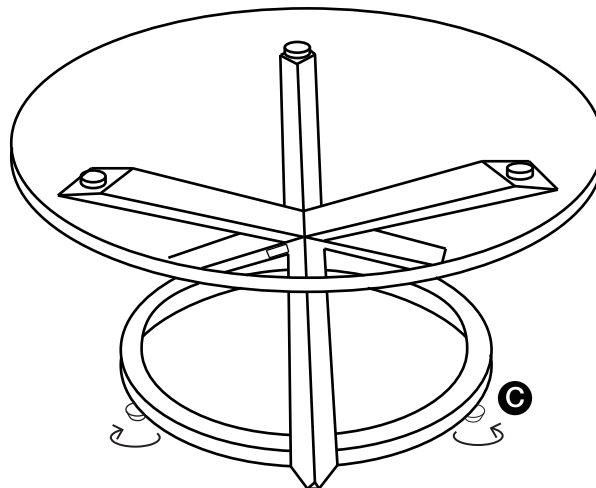


Step 5

With help, carefully turn the table upright.

 **Warning:** The table is fragile and heavy. Left with care.

Turn height adjustable feet **C** to achieve a stable position.



Assembly is complete

We care about our quality and what you think,
If you have any comments, or you require replacement parts,
Please call our **Customer Helpline:0345 6400 800**
Or visit **www.argos.co.uk**
Your statutory rights are not affected.

Produced in China for
Argos Limited, 489-499
Avebury Boulevard,
Milton Keynes, MK9 2NW
www.argos.co.uk