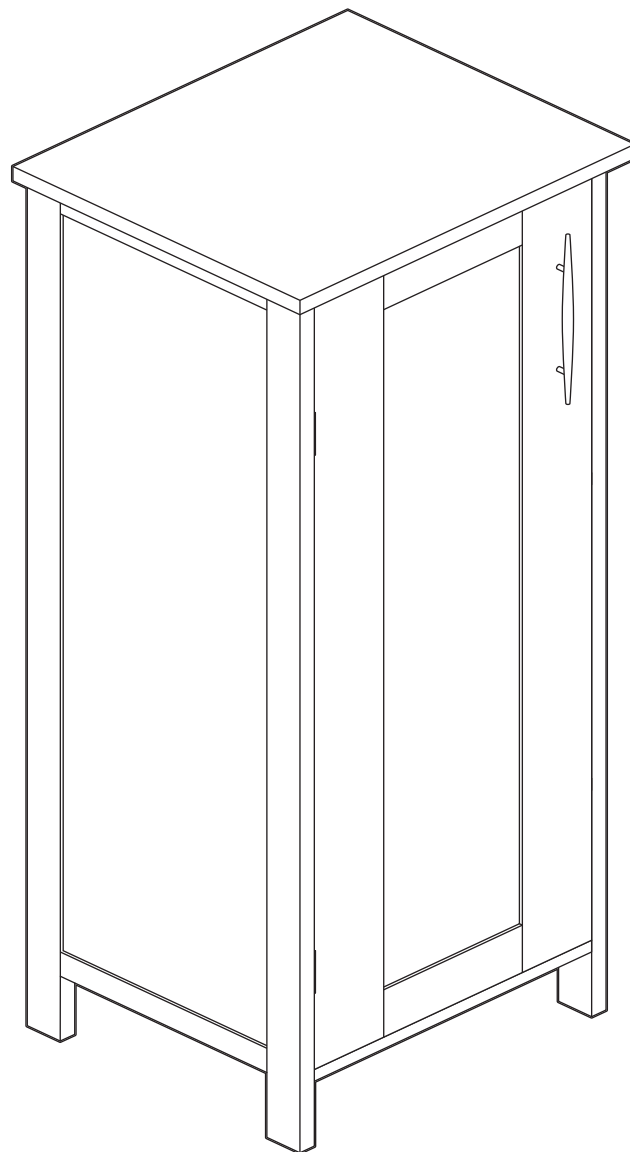


Floor Cabinet

Assembly Instructions- please keep for future reference

833/4455

hygena



Dimensions

Width - 35cm

Depth - 30cm

Height - 90.5cm

Important – Please read these instructions fully before starting assembly

If you need help or have damaged or missing parts, call the **Customer Helpline: 0845 640 0800**



Safety and Care Advice

Important – Please read these instructions fully before starting assembly

- Check you have all the components and tools listed on pages 1 and 2.
- Remove all fittings from the plastic bags and separate them into their groups.
- Keep children and animals away from the work area, small parts could choke if swallowed.
- Make sure you have enough space to layout the parts before starting.

- Do not stand or put weight on the product, this could cause damage.
- Assemble the item as close to its final position (in the same room) as possible.
- Assemble on a soft level surface to avoid damaging the unit or your floor.
- Parts of the assembly will be easier with 2 people.



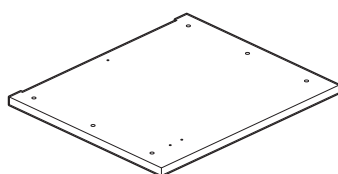
- We do not recommend the use of power drill/drivers **for inserting screws**, as this could damage the unit. Only use hand screwdrivers.
- Dispose of all packaging carefully and responsibly.

Care and maintenance

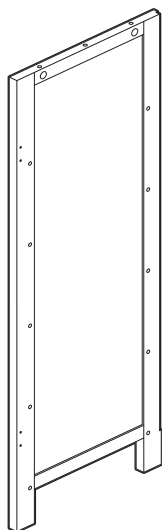
- Only clean using a damp cloth and mild detergent, do not use bleach or abrasive cleaners.
- From time to time check that there are no loose screws on this unit.
- This product should not be discarded with household waste. Take to your local authority waste disposal centre.

Components - Panels

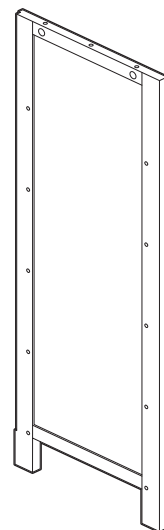
Please check you have all the panels listed below



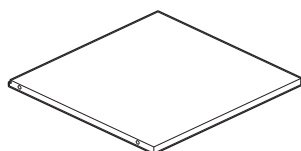
1 Top x 1
(35(w)cm x 30(d)cm)



2 Left side x 1
(89(h)cm x 28.5(d)cm)



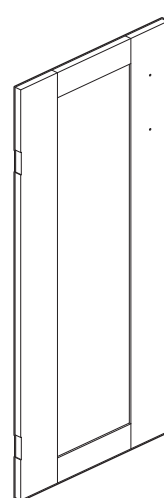
3 Right side x 1
(89(h)cm x 28.5(d)cm)



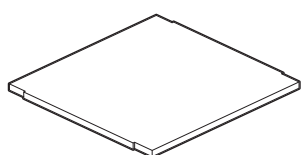
4 Base x 1
(29(w)cm x 28.5(d)cm)



5 Back panel x 1
(80.5(h)cm x 31(w)cm)



6 Door x 1
(78(h)cm x 28.5(w)cm)



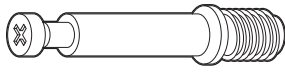
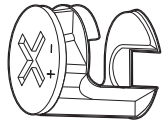
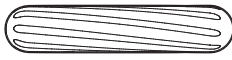
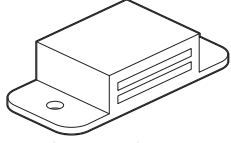
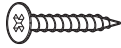
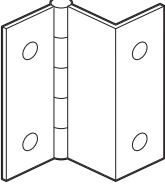

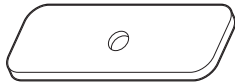
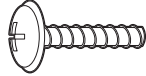
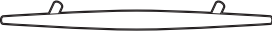
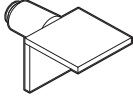




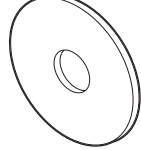

7 Shelf x 2
(30(w)cm x 26(d)cm)

Components - Fittings

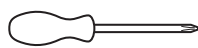
If you have damaged or missing components, call the **Customer Helpline: 0845 640 0800**

Please check you have all the fittings listed below

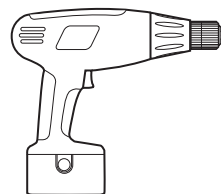
Note: The quantities below are the correct amount to complete the assembly. In some cases more fittings may be supplied than are required.

<p>A </p> <p>35mm Male camlock x 8</p>	<p>B </p> <p>Female camlock x 8</p>	<p>C </p> <p>30mm Wooden dowel x 2</p>	<p>D </p> <p>Magnetic catch x 1</p>
<p>E </p> <p>14mm Screw x 2</p>	<p>F </p> <p>Hinge x 2</p>	<p>G </p> <p>10mm Screw x 9</p>	<p>H </p> <p>Magnetic catch plate x 1</p>
<p>I </p> <p>16mm Screw x 2</p>	<p>J </p> <p>Handle x 1</p>	<p>K </p> <p>Shelf bracket x 8</p>	<p>L </p> <p>Safety strap x 1</p>
<p>M </p> <p>10mm Screw x 1</p>	<p>N </p> <p>Back panel screw x 12</p>	<p>O </p> <p>35mm Screw x 1</p>	<p>P </p> <p>Washer x 1</p>
<p>Q </p> <p>Rawl plug x 1</p>			

Tools required



Phillips screwdriver
(medium & large)



Drill (for wall drilling only)

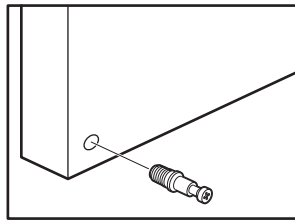
Ruler – Use this ruler to help correctly identify the screws



Using Camlocks

Step 1

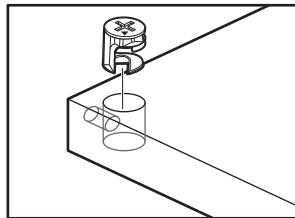
Connect the male camlock as directed in the assembly instructions using a screwdriver.



Step 2

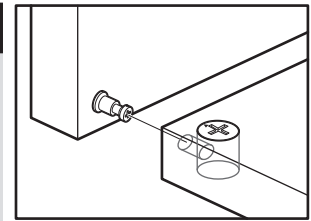
Insert the female camlock as shown in the instructions.

Note: ensure that the arrow on the top of the camlock points towards the entry hole for the male camlock.



Step 3

Push the male camlock into the entry hole.

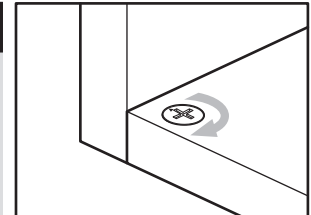


Step 4

Turn the female camlock clockwise with a screwdriver.

You should feel a click when the camlock is locked in place.

The joint is now secure.



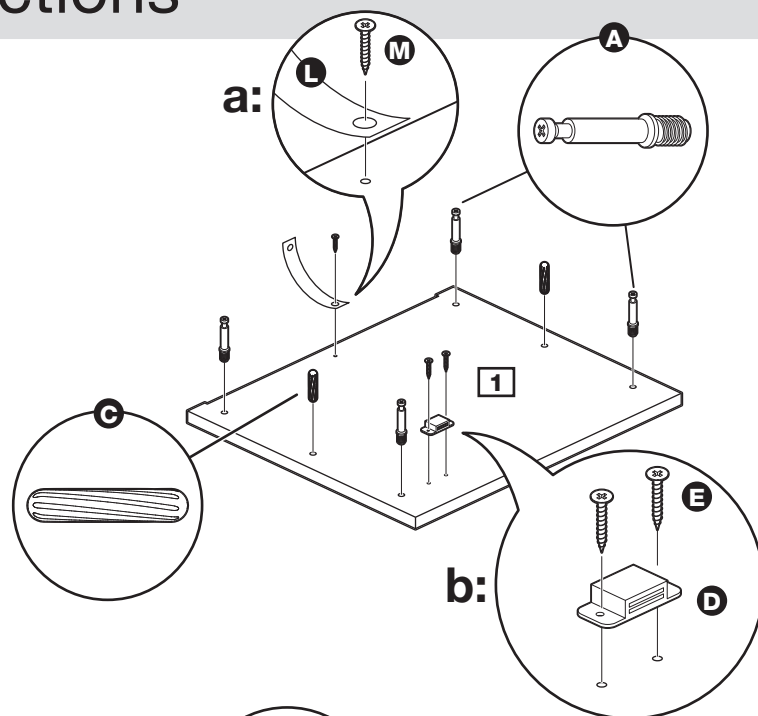
Assembly Instructions

Step 1

Fix 4 x 35mm male camlock **A** and 2 x 30mm wooden dowel **C** into underside of top **1** as shown.

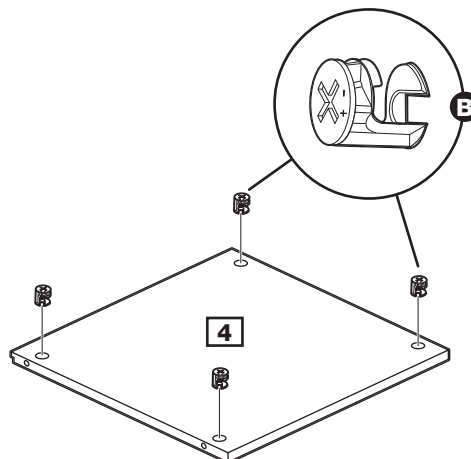
Connect safety strap **L** to underside of top **1** using 1 x 10mm screw **M** as shown (**a**).

Connect magnetic catch **D** to underside of top **1** using 2 x 14mm screw **E** as shown (**b**).



Step 2

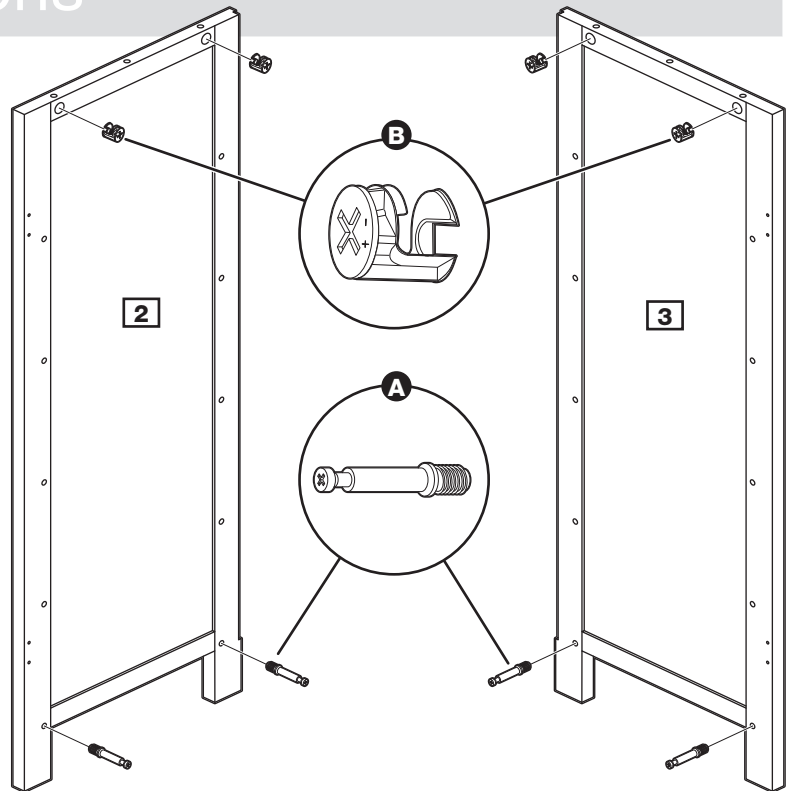
Insert 4 x female camlock **B** into underside of base **4** as shown.



Assembly Instructions

Step 3

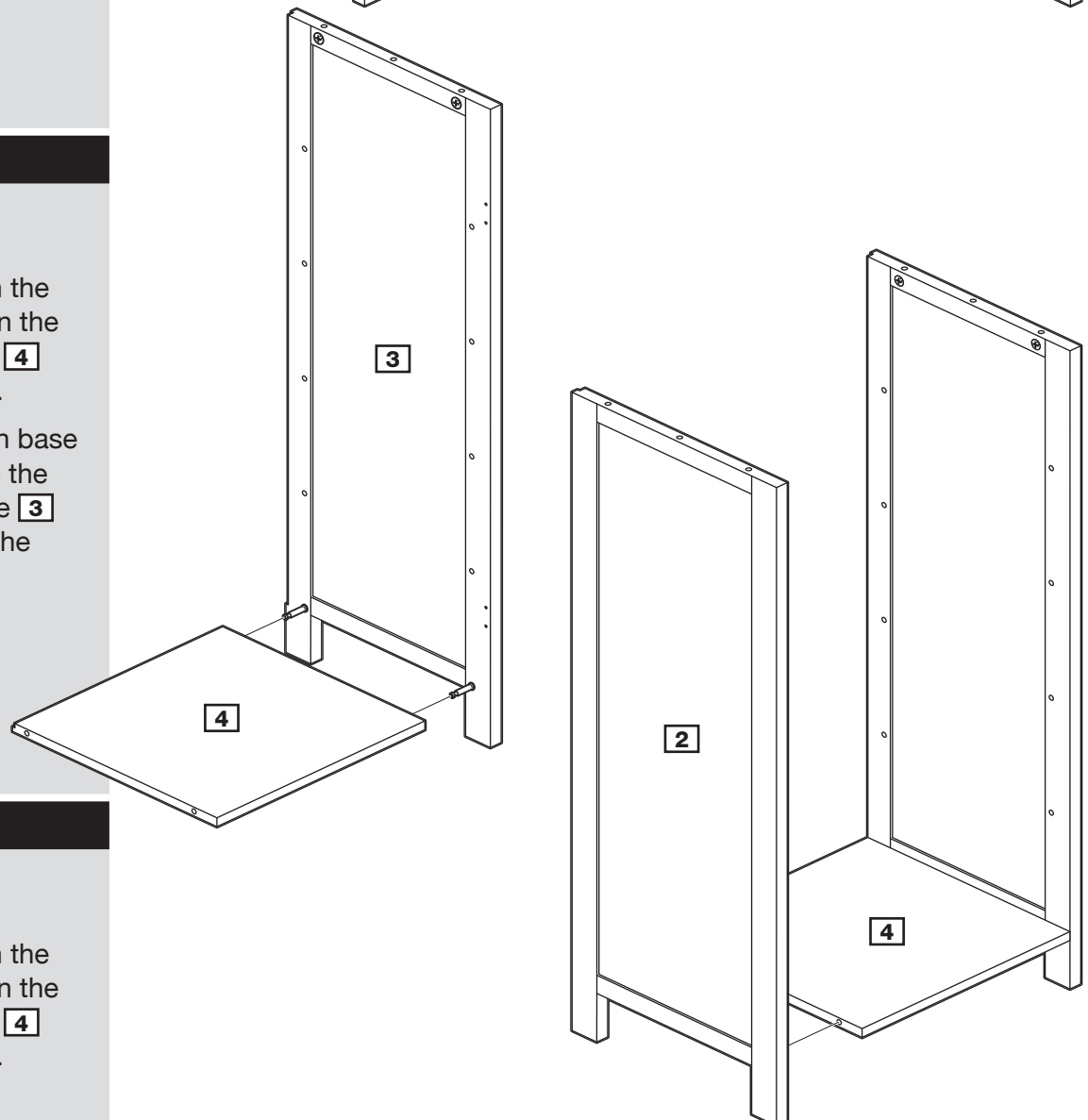
Fix 2 x female camlock **B** and 2 x 35mm male camlock **A** into left side **2** and right side **3** as shown.



Step 4

Connect base **4** to right side **3** as shown and tighten the female camlocks in the underside of base **4** with a screwdriver.

Note: the groove in base **4** must line up to the groove in right side **3** (i.e. to the rear of the unit).



Step 5

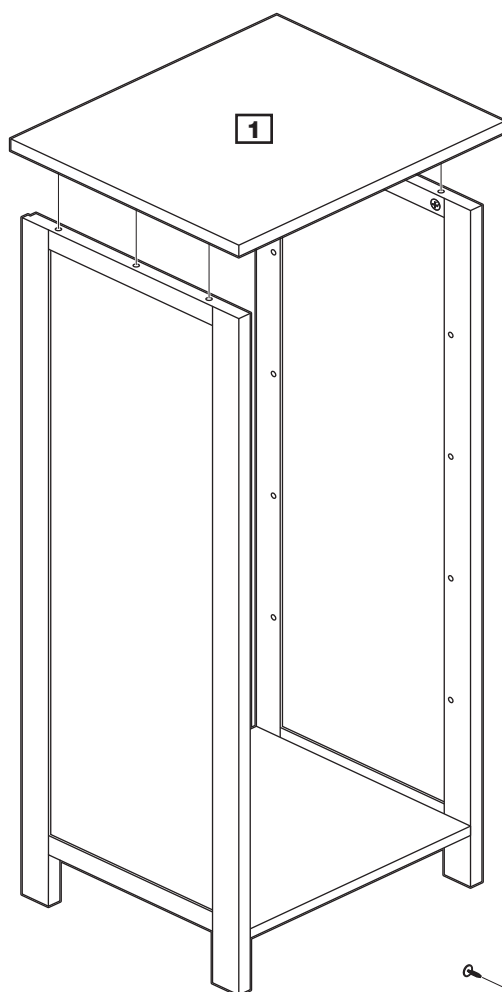
Connect left side **2** to base **4** as shown and tighten the female camlocks in the underside of base **4** with a screwdriver.

Assembly Instructions

Step 6

Connect top **1** to left and right sides as shown and tighten the female camlocks inside the unit with a screwdriver.

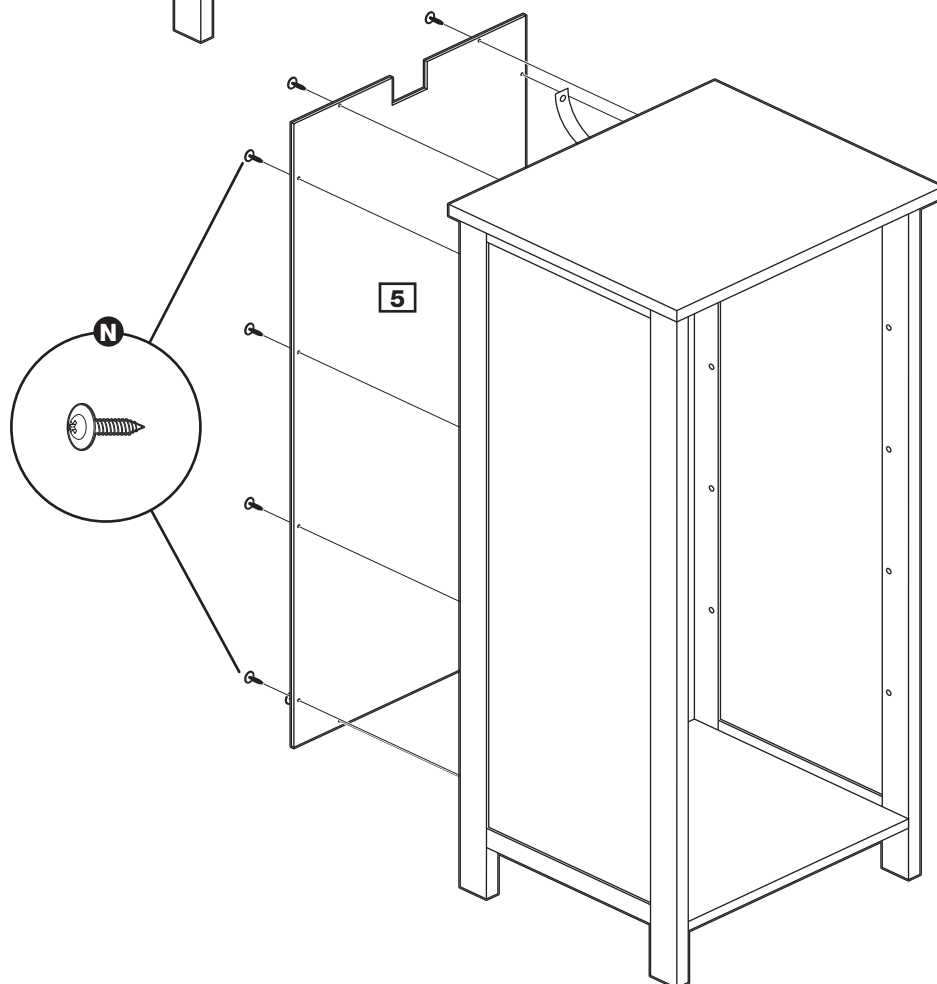
Note: the groove in top must line up with the grooves in the left and right sides (i.e. to the rear of the unit).



Step 7

Connect back panel **5** to the rear of the unit as shown using 12 x back panel screw **N**.

Note: ensure the safety strap sticks through the hole in the back panel to enable securing to a wall (see Step 10).



Assembly Instructions

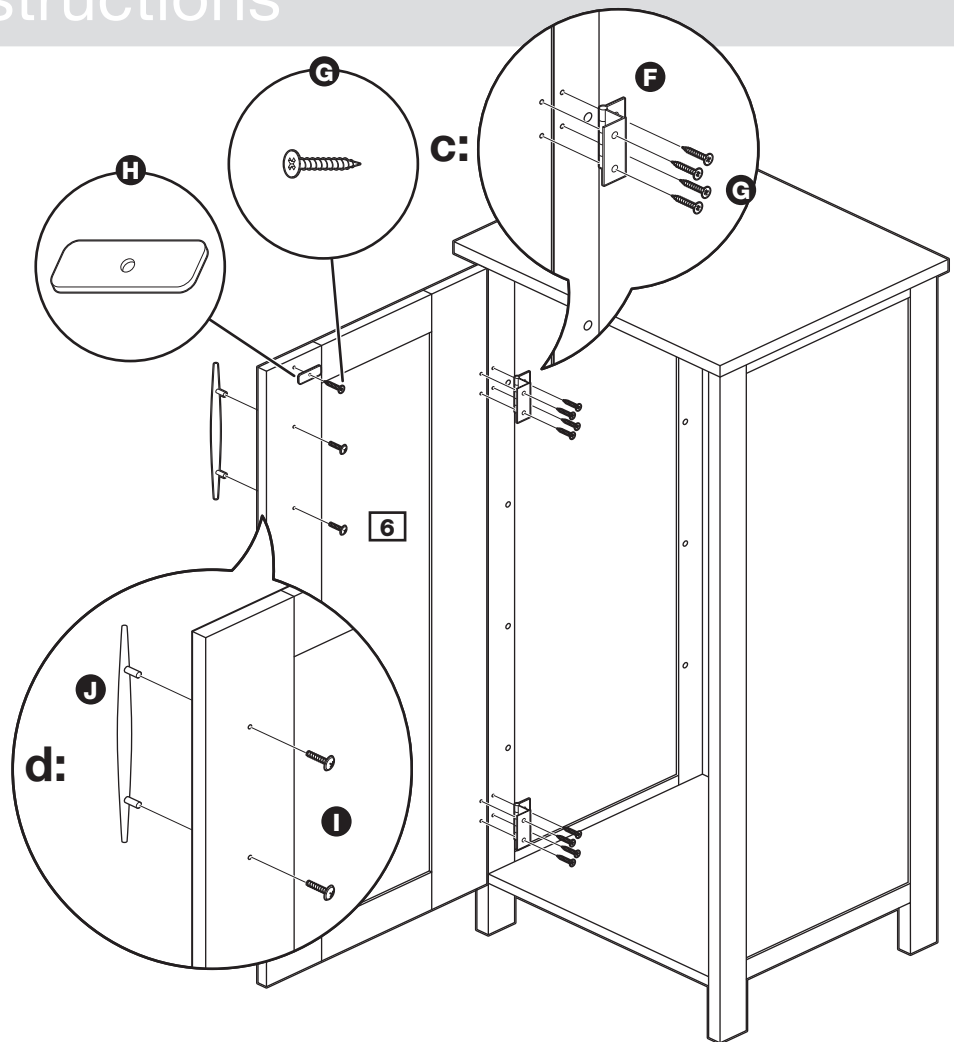
Step 8

Connect door **6** to the unit using 2 x hinge **F** and 8 x 10mm screw **G** as shown (**C:**).

Connect handle **J** to door using 2 x 16mm bolt **I** as shown (**d:**).

Connect catch plate **H** to door using 1 x 10mm screw **G**.

Note: catch plate **H** must be attached with the countersink facing outwards so as to accommodate the screw head.

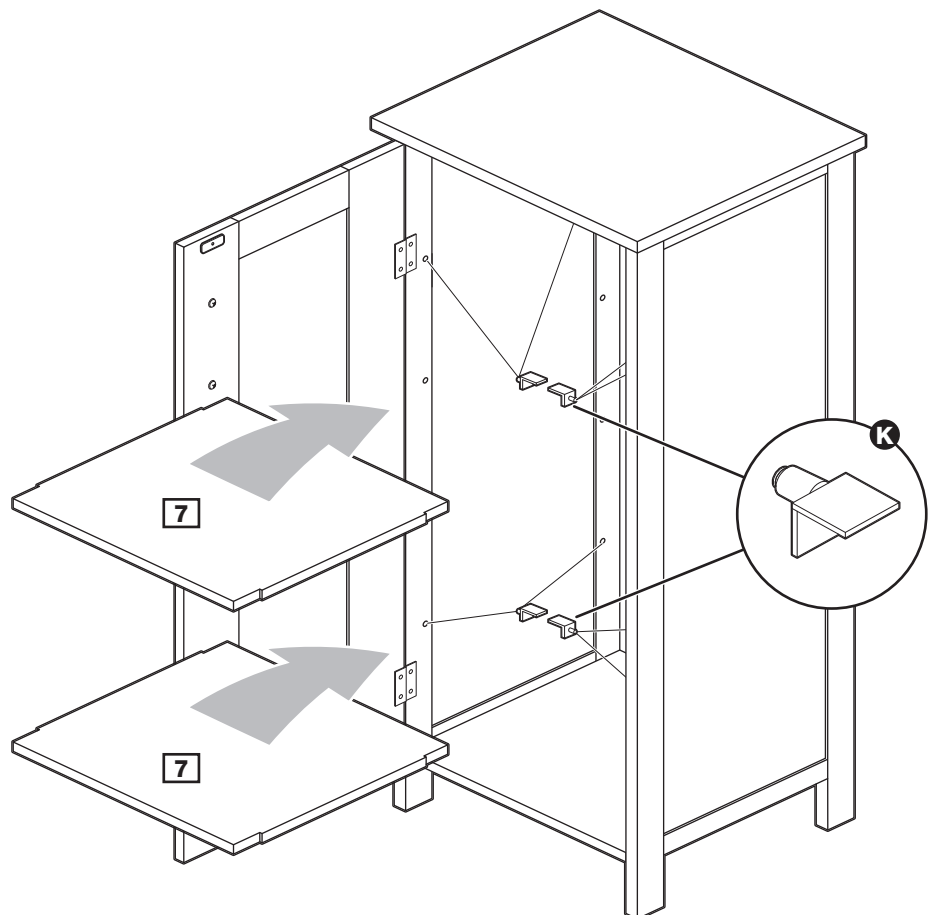


Step 9

Insert 8 x shelf bracket **K** into holes inside the unit at the desired heights ensuring that each set of shelf brackets are level with each other.

Set 2 x shelf **7** onto shelf brackets as shown.

Note: the cut away edges of shelf **7** must face the sides of the unit.



Assembly Instructions

Step 10

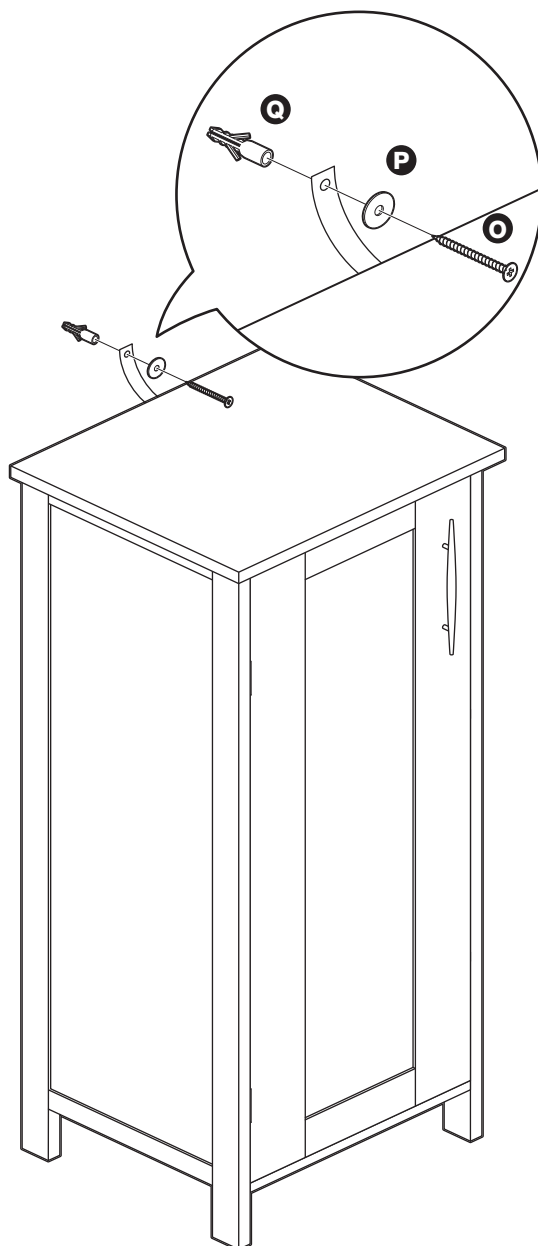
To prevent accidental toppling it is recommended to fix the safety strap to a wall as shown using 1 x rawl plug **Q**, 1 x washer **P** and 1 x 35mm screw **O**.

Note: see the back cover for more information on wall mounting and the suitable use of the supplied rawl plugs.

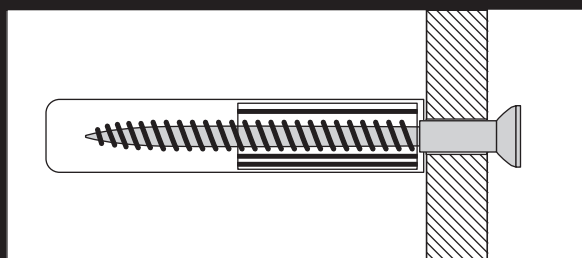


Warning: Before drilling, check wall for hidden pipes and cables.

Assembly complete.




A Guide to Wall Mounting & Fixings



IMPORTANT:

When drilling into walls always check that there are no hidden wires or pipes etc. Make sure that the screws and wall plugs being used are suitable for supporting your unit. Consult a qualified tradesperson if you are unsure.

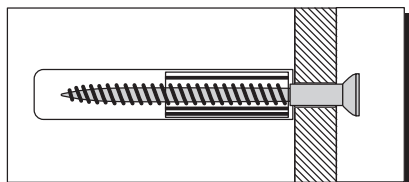
HINTS:

- 1) General Rule  Always use a larger screw and wall plug if you are not sure.
- 2) Ensure you use the recommended drill bit to match the wall plug and hole size.
- 3) Ensure you drill the hole horizontally, do not force the drill or enlarge the holes.
- 4) Take extra care when drilling high walls, ceilings and ceramic tiles.
Ensure the plug is fitting below the ceramic tile to avoid splitting or cracking.
- 5) Ensure wall plugs are well fitted and are a tight fit in the drilled hole.

Types of Wall

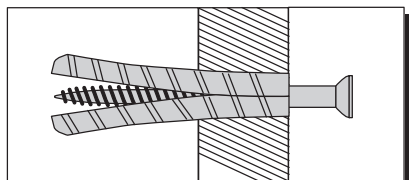
You can use one of the following types of wall plug if your walls are made of brick, breeze block, concrete, stone, wood or plaster board.

No.1 "Standard" Wall Plug General Wall Materials



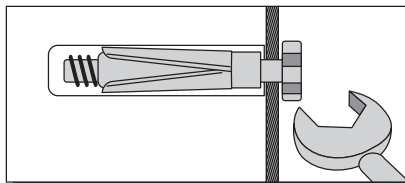
These come in various sizes and are made from plastic or sometimes wood fiber.

No.2 "General Purpose" Wall Plug Aerated / Breeze Block



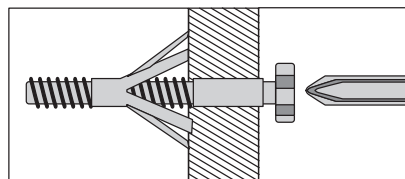
Generally aerated blocks should not be used to support heavy loads, use a specialist fitting in this case. For light loads, a General Purpose Plug can be used.

No.3 "Shield Anchor" Wall Plug Heavy loads



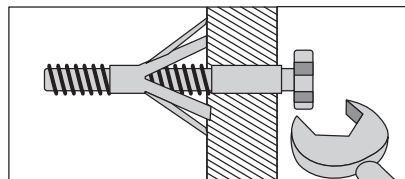
For use with heavier loads such as TV & HiFi speakers and satellite dishes etc.

No.4 "Cavity Fixing" Wall Plug



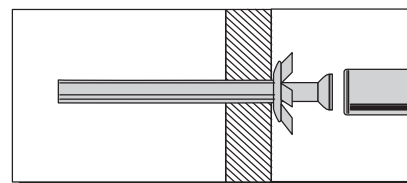
For use with plaster board partitions or hollow wooden doors.

No.5 "Cavity Fixing - Heavy Duty" Wall Plug



For use when fitting or supporting heavy loads such as shelving wall cabinets, coat racks.

No.6 "Hammer Fixing" Wall Plug



For use with walls stuck with plaster board. The hammer fixing allows it to be fixed to the wall rather than the plaster board. Always check the fixing is secure to the retaining wall.

CARE AND MAINTENANCE

SAFETY

Always check the fitting and location to ensure your safety in and around the home.

FITTING

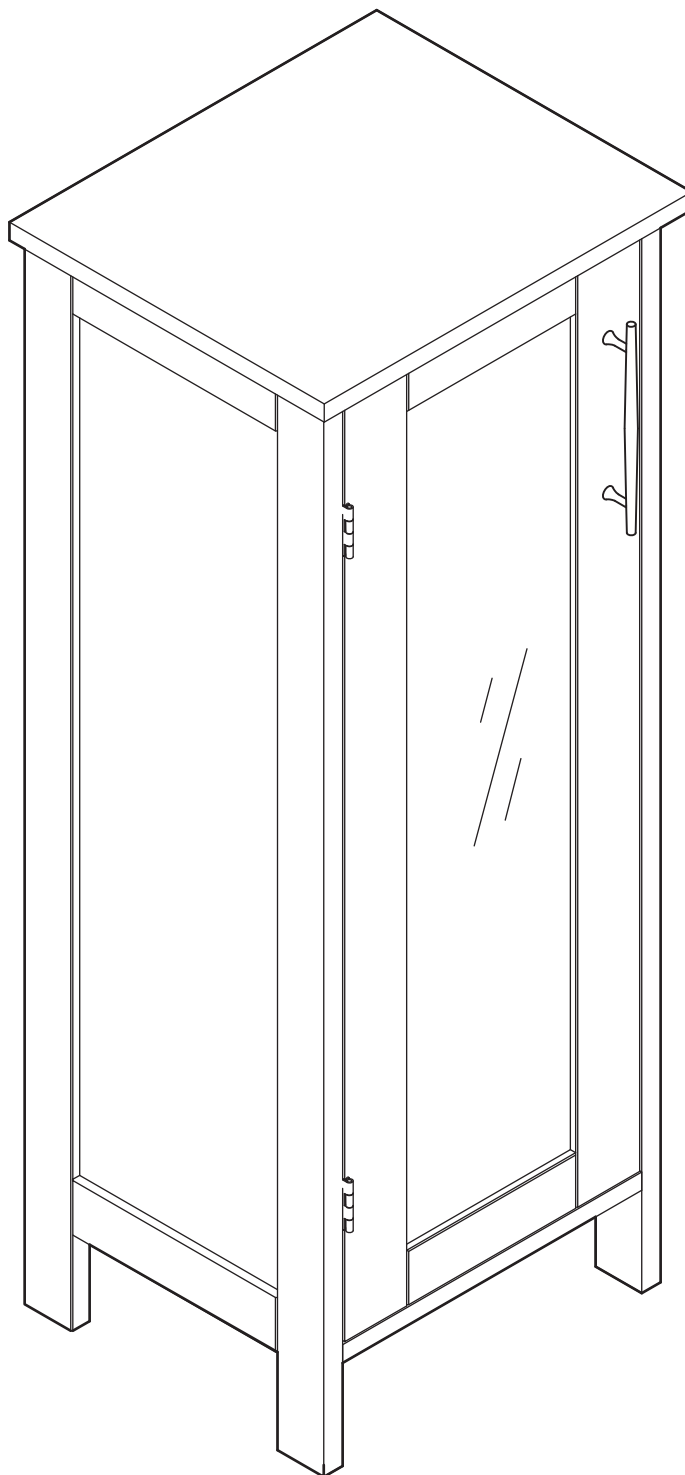
From time to time check the fitting to ensure the wall plugs or screws do not become loose.

If you need help or have damaged or missing parts, call the Customer Helpline: 0845 640 0800
Home Retail Group, 489-499 Avebury Boulevard, Saxon Gate West, Central Milton Keynes, Bucks, MK9 2NW

Hygena Insert Floor Cabinet

Assembly Instructions – Please keep for future reference

833/4455



Dimensions

Width - 35cm

Depth - 30cm

Height - 90cm

Important - Please read these instructions fully before starting assembly

If you need help or have damaged or missing parts, call the Customer Helpline: 08456 400800



Safety and care advice

Important - Please read these instructions fully before starting assembly

- Check you have all the components and tools listed on pages 2 and 3.
- Remove all fittings from the plastic bags and separate them into their groups.
- Keep children and animals away from the work area, small parts could choke if swallowed.
- Make sure you have enough space to layout the parts before starting.
- Do not stand or put weight on the panels, this could cause damage.
- Assemble the unit as close to its final position (in the same room) as possible.

- Assemble on a soft level surface to avoid damaging the unit or your floor.
- **Note:** Only apply the glue once you are sure of the assembly.
- The wall plugs supplied are suitable for solid walls only. It is important that the correct type of fixing is used for your wall, seek professional advice if in doubt.
- Parts of the assembly will be easier with 2 people.
- If using power tools, please follow the safety instructions supplied with the tools.



• We do not recommend the use of power drill/ drivers for inserting screws, as this could damage the unit. Only use hand screwdrivers.

- **Warning:** Before drilling, check the wall for hidden pipes and cables.
- Dispose of all packaging carefully and responsibly.

Glue safety - Take care when using glue, please follow the advice below

Skin contact: Remove contamination by washing with soap and water. This procedure should also be followed prior to eating and drinking.

Eye contact: Rinse immediately with clean water for 15 minutes and seek medical advice.

If swallowed: Seek medical advice immediately. If possible show product information or label to the medical advisor.

Care and maintenance

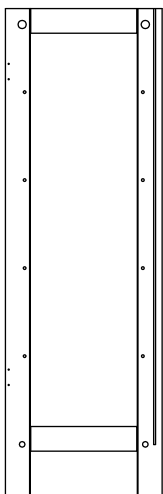
- Only clean using a damp cloth and mild detergent, do not use bleach or abrasive cleaners.
- From time to time check that there are no loose screws on this unit.
- This product should not be discarded with household waste. Take to your local authority waste disposal centre.

Note: if required the next page can be cut out and used as a reference throughout the assembly. Keep this page with these instructions for future reference.

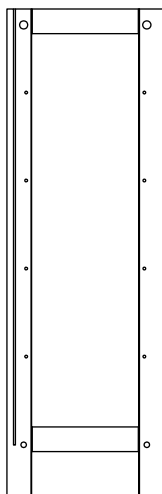
Components - Panels

If you have damaged or missing components,
call the Customer Helpline:08456 400800

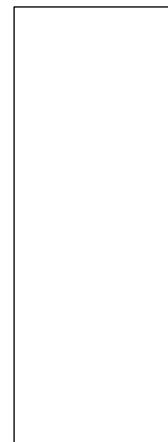
Please check you have all the panels listed below



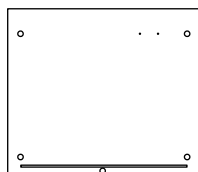
1 Left side panel



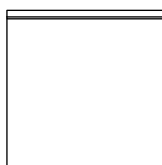
2 Right side panel



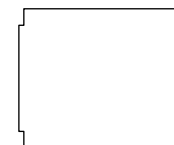
3 Back panel



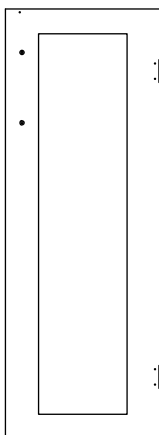
4 Top panel



5 Bottom panel



6 Adjustable shelf x 2



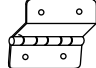
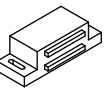


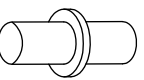





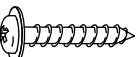

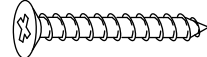


7 Door panel

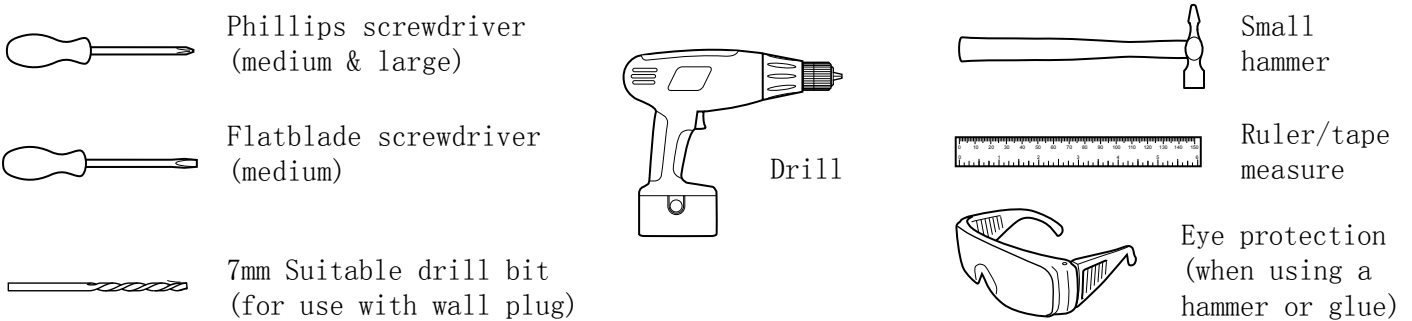
Components - Fittings

Please check you have all the fittings listed below

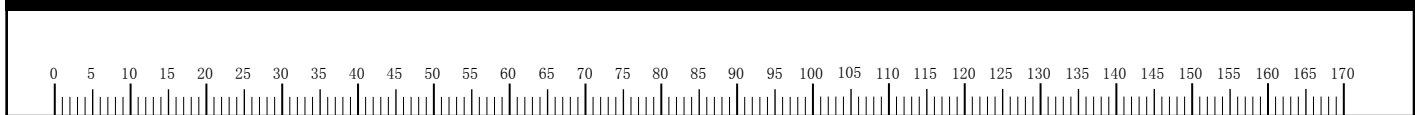
Note: The quantities below are the correct amount to complete the assembly. In some cases more fittings may be supplied than are required.

 <p>A Locking Pin x 8</p>	 <p>B Locking Nut x 8</p>	 <p>C Hinge x 2</p>
 <p>D Magnetic Catch x 1</p>	 <p>E Strike Plate x 1</p>	 <p>F 12mm Screw x 11</p>
 <p>G Metal Support x 8</p>	 <p>H Metal handle x 1</p>	 <p>I 18mm Bolt x 2</p>
 <p>J Back panel hook x 4</p>	 <p>K 16mm Screw x 4</p>	 <p>L Wall strap x 1</p>
 <p>M 12mm Screw x 1</p>	 <p>N Wall plug(for solid walls only) x 1</p>	 <p>O 35mm Screw x 1</p>

Tools required



Ruler - Use this ruler to help correctly identify the screws



Assembly Instructions

Step 1

Assembling bottom panel

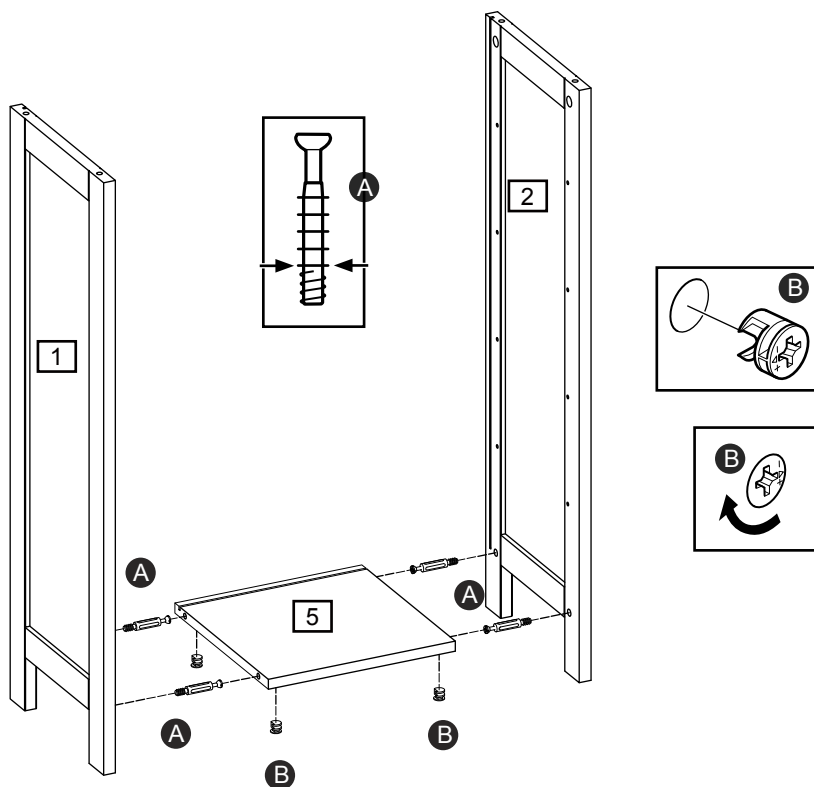
NOTE: It would be useful to ask someone to help you at this stage.

Screw locking pins **A** into the side panel **1** & **2**.

Insert locking nuts **B** into bottom panel **5**.

Carefully attach bottom panel to side panels as shown, pls make sure the grooves are aligned.

Tighten the locking nuts to secure the unit.



Step 2

Assembling top panel and back panel

a: Carefully slide back panel **3** into the groove of the unit.

Screw locking pins **A** into top panel **4**.

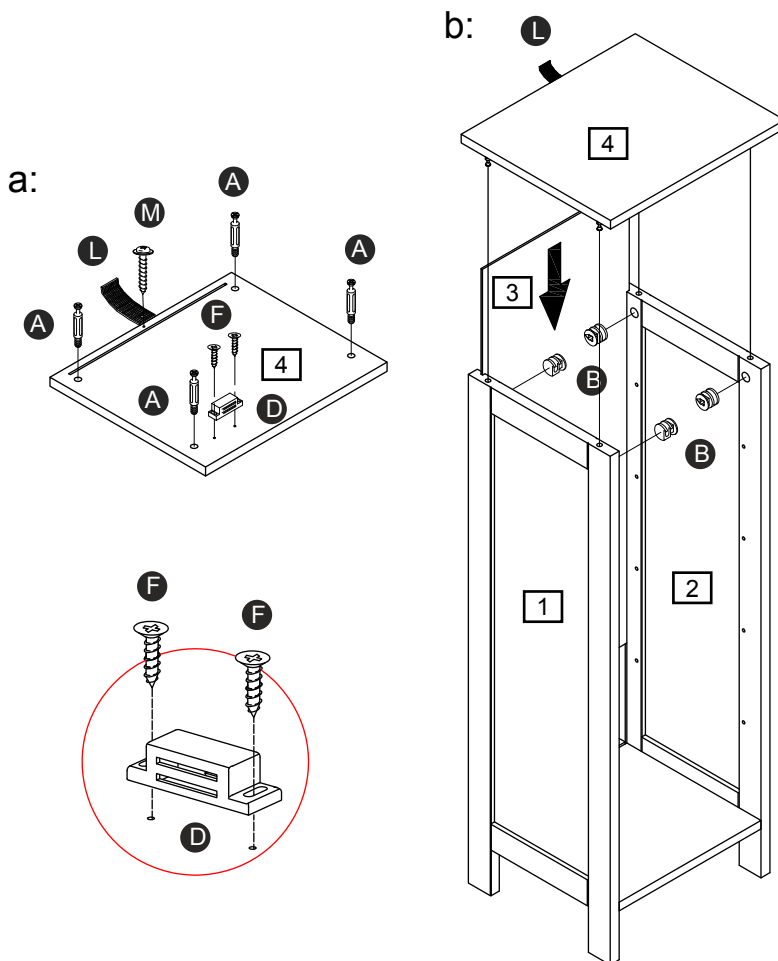
Use 12mm screws **F** to fix magnetic catch **D** on top panel.

Use 12mm screws **M** to fix wall strap **L** on top panel at this stage.

Insert locking nuts **B** into side panels **1** and **2**.

Carefully attach top panel **4** to the unit.

Tighten the locking nuts to secure the unit.



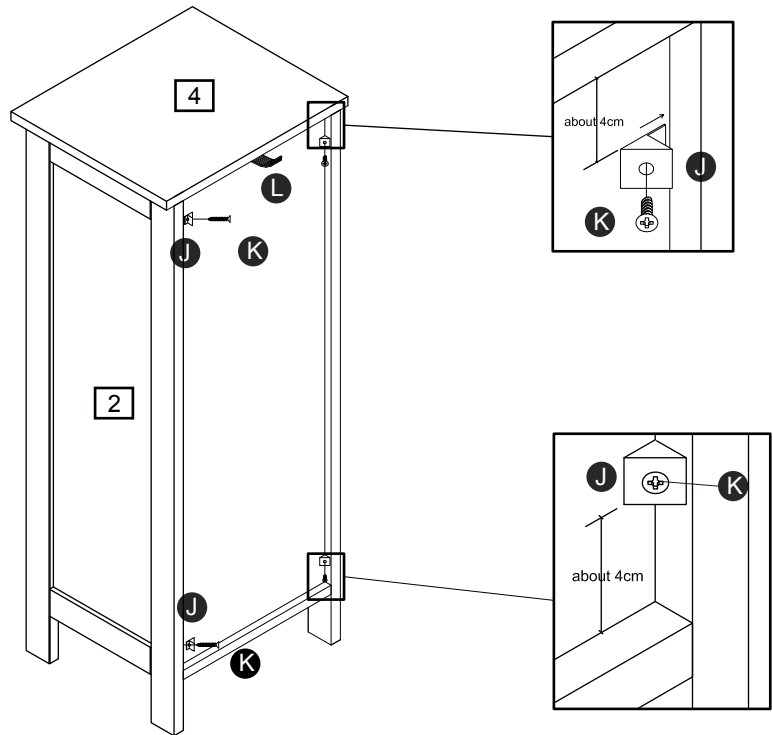
Assembly Instructions

Step 3

Assembling back panel hook

NOTE: It would be useful to ask someone to help you at this stage.

Insert back panel hook **J** into the groove of side panel **1** **2** and use 16mm screw **K** to fix back panel hook to the under unit.



Step 4

Assembling door panel

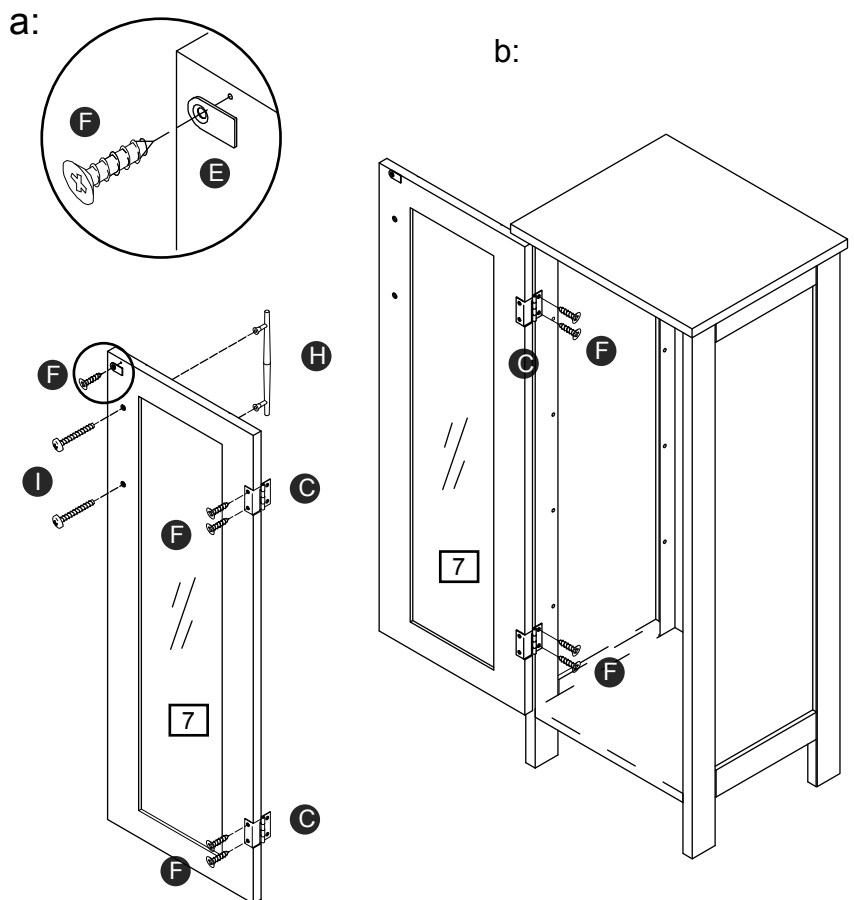
NOTE: It would be useful to ask someone to help you at this stage.

a: Use 12mm screw **F** to fix strike plate **E** onto the door panel **7**.

Use 18mm bolts **I** to fix metal handle **H** onto door panel.

Use 12mm screws **F** to fix hinges **C** onto the door panel.

b: Attach door panel **7** onto the unit by fixing hinge **C** with screw **F**.



Assembly Instructions

Step 5

Fixing to the wall

NOTE: It would be useful to ask someone to help you at this stage.

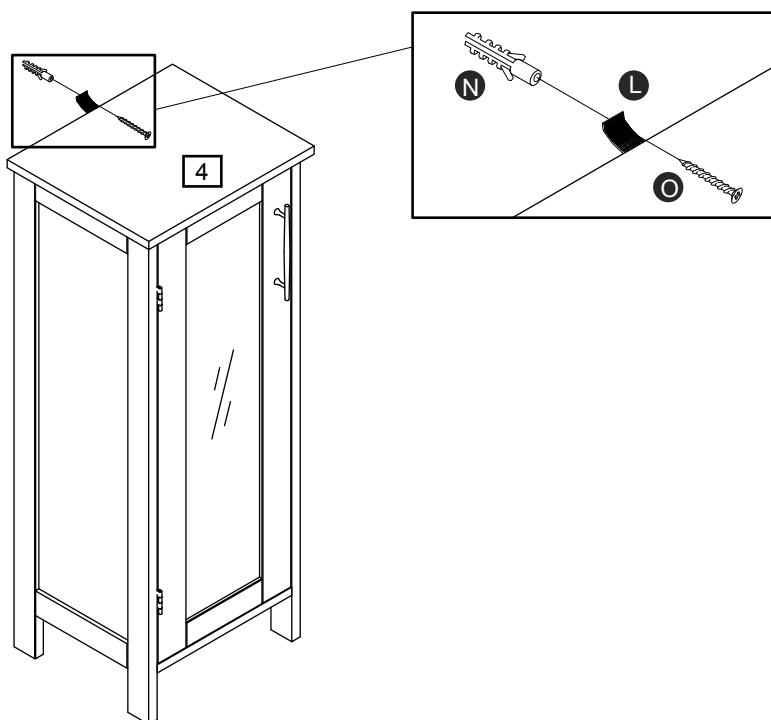
With help, move the unit into position.



Warning:

Before drilling, check wall for hidden pipes and cables.

Fix wall strap **L** to wall using 35mm screw **O** and wall plug **N**.



Step 6

Assembling adjustable shelf panel

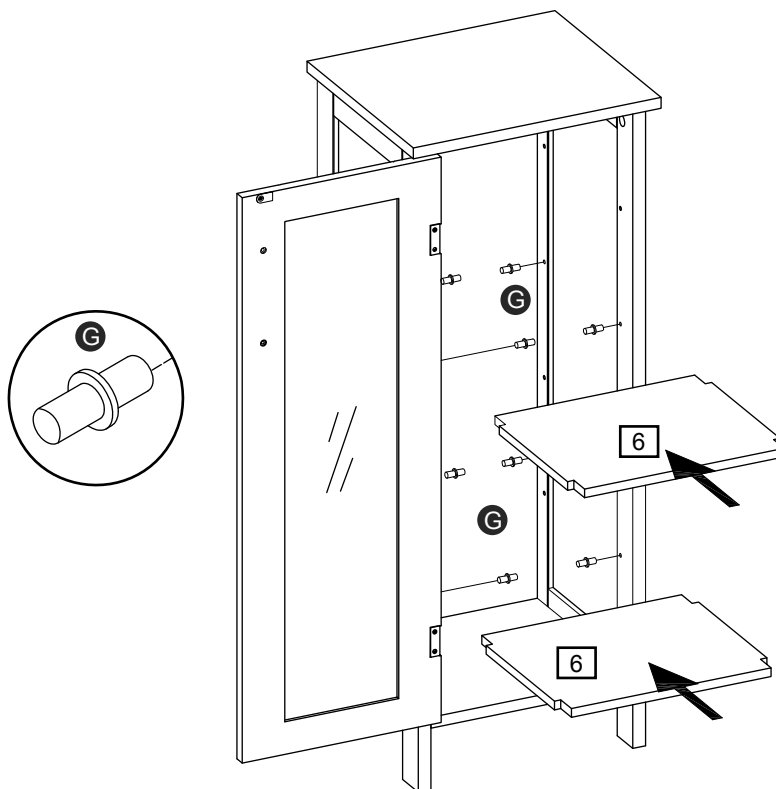
NOTE: It would be useful to ask someone to help you at this stage.

Insert metal supports **G** into side panels **1** **2**.

Carefully put the adjustable shelf panel **6** on it.

NOTE: Please make sure the unit is secure before use.

The assembly is now complete.



NOTE: If you have damaged or missing components, call the Customer Helpline: 08456 400800
Argos LTD, 489-499 Avebury Boulevard,
Central Milton Keynes, MK9 2NW

A Guide to - Wall Mounting & Fixings

Important note:

If plastic wall plugs are supplied with your product:



- these are only suitable for use in masonry walls.

If you are in any doubt about the correct wall plugs for your wall, seek professional advice.


Failure of the product due to using incorrect fixings is the responsibility of the installer.



Important: When drilling into walls always check that there are no hidden wires or pipes etc.

Make sure that the screws and wall plugs being used are suitable for supporting your unit. Consult a qualified tradesperson if you are unsure.

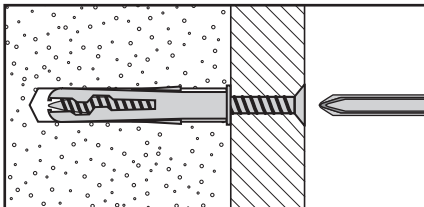
Hints:

- 1: General rule:**  Always use a larger screw and wall plug if you are not sure.
- 2:** Ensure you use the recommended drill bit to match the wall plug and hole size.
- 3:** Ensure you drill the hole horizontally, do not force the drill or enlarge the hole.
- 4:** Take extra care when drilling high walls, ceilings and ceramic tiles. Ensure wall plugs are inserted beyond the thickness of the ceramic tiles to avoid the tiles splitting or cracking.
- 5:** Ensure wall plugs are well fitted and are a tight fit in the drilled hole.

Types of walls

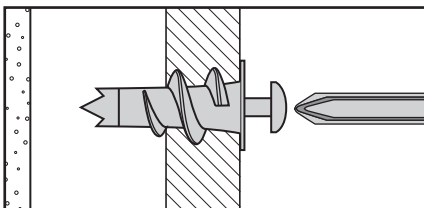
You can use one of the following types of wall plug if your walls are made of brick, breeze block, concrete, stone or wood.

No.1 "General Purpose" wall plug



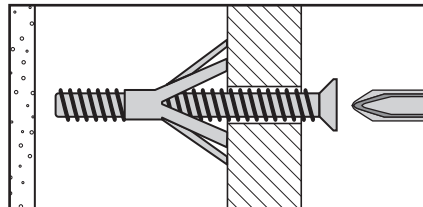
Generally aerated blocks should not be used to support heavy loads, use a specialist fitting in this case. For light loads, general purpose wall plugs can be used.

No.2 "Plasterboard" wall plug



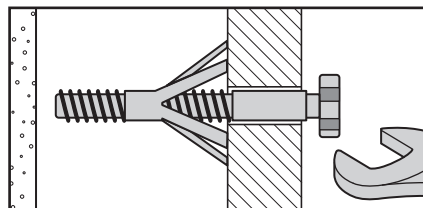
For use when attaching light loads on to plasterboard partitions.

No.3 "Cavity Fixing" wall plug



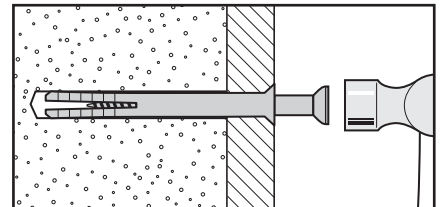
For use with plasterboard partitions or hollow wooden doors.

No.4 "Cavity Fixing-Heavy Duty" wall plug



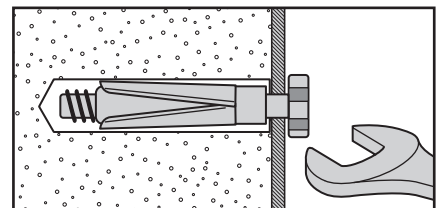
For use when fitting or supporting heavy loads such as shelving, wall cabinets and coat racks.

No.5 "Hammer Fixing" wall plug



For use with walls stuck with plasterboard. The hammer fixing allows it to be fixed to the wall rather than the plasterboard. Always check the fixing is secure to the retaining wall.

No.6 "Shield Anchor" wall plug Heavy loads



For use with heavier loads such as TV & HiFi speakers and satellite dishes etc.



Care & Maintenance

Safety: Always check the fitting and location to ensure your safety in and around the home.

Fitting: From time to time check the fitting to ensure the wall plugs or screws do not become loose.

SAFETY WARNING INFORMATION

Keep these instructions for future use:

WARNINGS

*Do not place very hot or very cold items against or in close proximity to glass surface unless an adequately thick insulating material is used to prevent such items from coming into contact with the glass.

*Do not strike the glass with hard or pointed items.

* Do not sit or stand upon horizontal glass surfaces.

*When cleaning glass panels or mirrors use a damp or leather with washing up liquid or soft soap if necessary

do not use washing powders or any other substance

containing abrasive since these substances scratch glass.

*It is essential that this unit is fixed to a wall with the fixings provided.

BS7449 : 1991

Catalogue Number: 833/4455 (D)

Manufacture date: Apr. 8th. 2013

Retailer: Argos

Retailer address: 489-499 Avebury Boulevard

Saxon Gate West

Central Milton Keynes

Bucks, MK9 2NW

This unit contains [tempered glass](#) of a nominal thickness of 4 mm, which is not required to be classified to BS6206 Class C.

If a glass is chipped or broken replace with glass of the type described on this label. Consult the manufacturer, retailer, or agent with regard to obtaining a manufacturing specification and shape for replacement glass quoting the model number, and batch number or date of manufacture.