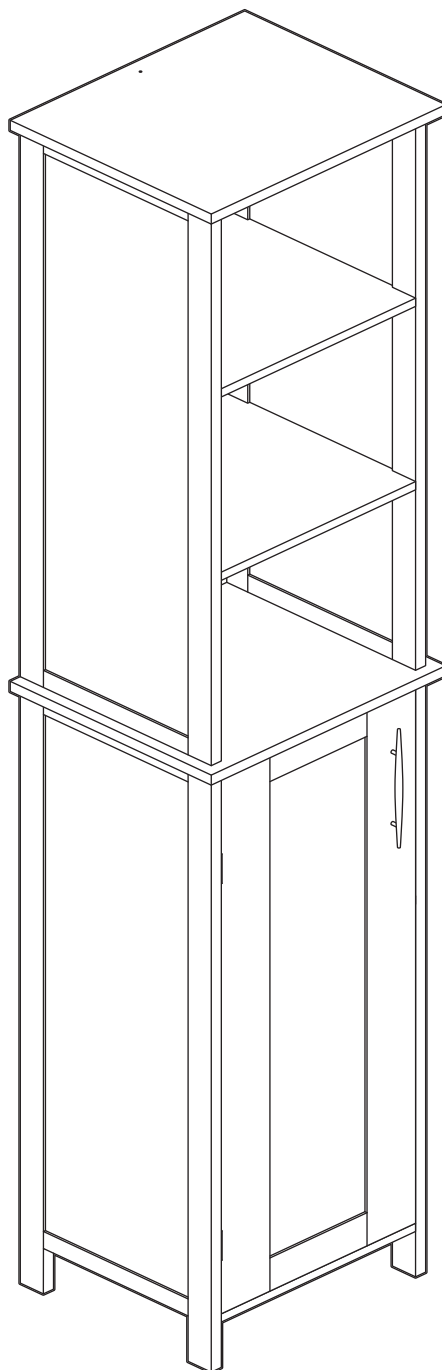


Tallboy

Assembly Instructions- please keep for future reference

833/4448

hygena



Dimensions

Width - 35cm

Depth - 30cm

Height - 169.5cm

Important – Please read these instructions fully before starting assembly

If you need help or have damaged or missing parts, call the Customer Helpline: 0845 640 0800



Safety and Care Advice

Important – Please read these instructions fully before starting assembly

- Check you have all the components and tools listed on pages 1 and 2.
- Remove all fittings from the plastic bags and separate them into their groups.
- Keep children and animals away from the work area, small parts could choke if swallowed.
- Make sure you have enough space to layout the parts before starting.

- Do not stand or put weight on the product, this could cause damage.
- Assemble the item as close to its final position (in the same room) as possible.
- Assemble on a soft level surface to avoid damaging the unit or your floor.
- Parts of the assembly will be easier with 2 people.



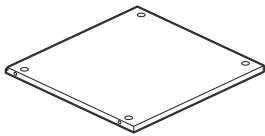
- We do not recommend the use of power drill/drivers **for inserting screws**, as this could damage the unit. Only use hand screwdrivers.
- Dispose of all packaging carefully and responsibly.

Care and maintenance

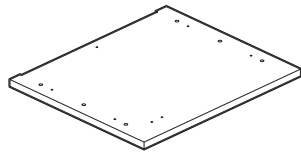
- Only clean using a damp cloth and mild detergent, do not use bleach or abrasive cleaners.
- From time to time check that there are no loose screws on this unit.
- This product should not be discarded with household waste. Take to your local authority waste disposal centre.

Components - Panels

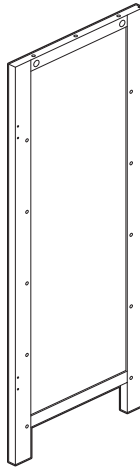
Please check you have all the panels listed below



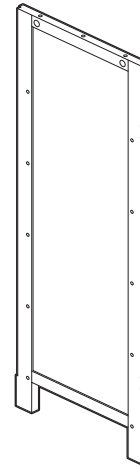
1 Base x 1
(29(w)cm x 28.5(d)cm)



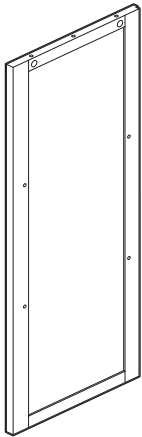
2 Middle shelf x 1
(35(w)cm x 30(d)cm)



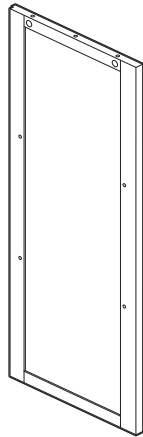
3 Bottom left side x 1
(89(h)cm x 28.5(d)cm)



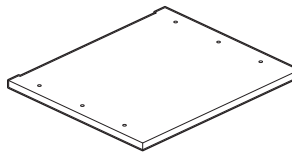
4 Bottom right side x 1
(89(h)cm x 28.5(d)cm)



5 Top left side x 1
(77.5(h)cm x 28.5(d)cm)



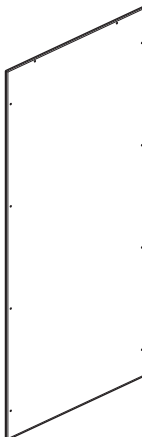
6 Top right side x 1
(77.5(h)cm x 28.5(d)cm)



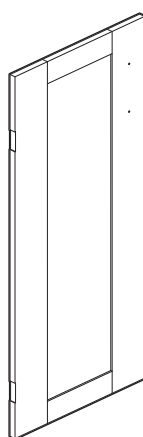
7 Top x 1
(35(w)cm x 30(d)cm)



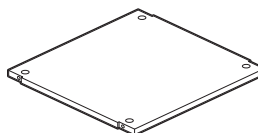
8 Bottom back panel x 1
(80.2(h)cm x 31(w)cm)



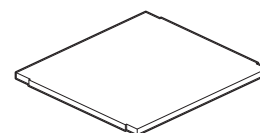
9 Top back panel x 1
(79.2(h)cm x 31(w)cm)



10 Door x 1
(78(h)cm x 28.5(w)cm)



11 Top shelf x 2
(30(w)cm x 28(d)cm)



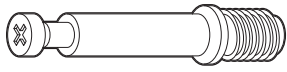
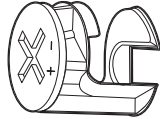
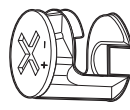


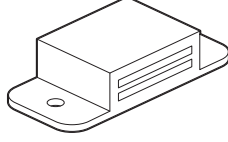
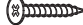
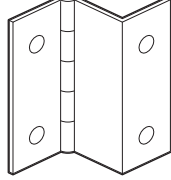
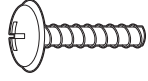

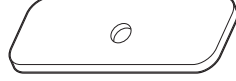

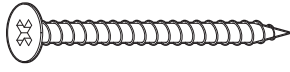


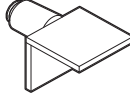

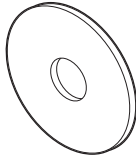
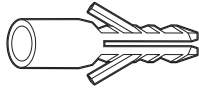
12 Internal shelf x 2
(30(w)cm x 26(d)cm)

Components - Fittings

If you have damaged or missing components, call the **Customer Helpline: 0845 640 0800**

Please check you have all the fittings listed below

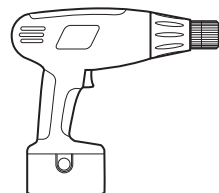
Note: The quantities below are the correct amount to complete the assembly. In some cases more fittings may be supplied than are required.

| | | | |
|---|--|---|--|
| <p>A </p> <p>35mm Male camlock x 20</p> | <p>B </p> <p>Large female camlock x 12</p> | <p>C </p> <p>Small female camlock x 8</p> | <p>D </p> <p>30mm Wooden dowel x 4</p> |
| <p>E </p> <p>14mm Screw x 2</p> | <p>F </p> <p>Magnetic catch x 1</p> | <p>G </p> <p>10mm Screw x 9</p> | <p>H </p> <p>Hinge x 2</p> |
| <p>I </p> <p>16mm Screw x 2</p> | <p>J </p> <p>Handle x 1</p> | <p>K </p> <p>Magnetic catch plate x 1</p> | <p>L </p> <p>Back panel screw x 22</p> |
| <p>M </p> <p>35mm Screw x 4</p> | <p>N </p> <p>10mm screw x 1</p> | <p>O </p> <p>Safety strap x 1</p> | <p>P </p> <p>Shelf bracket x 8</p> |
| <p>Q </p> <p>35mm Wall screw x 1</p> | <p>R </p> <p>Washer x 1</p> | <p>S </p> <p>Rawl plug x 1</p> | |

Tools required



Phillips screwdriver
(medium & large)



Drill (for wall drilling only)

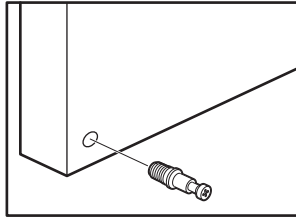
Ruler – Use this ruler to help correctly identify the screws



Using Camlocks

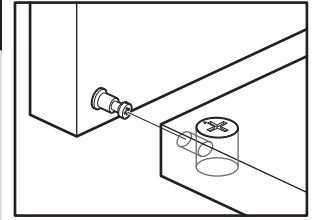
Step 1

Connect the male camlock as directed in the assembly instructions using a screwdriver.



Step 3

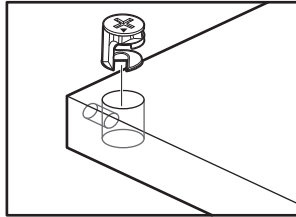
Push the male camlock into the entry hole.



Step 2

Insert the female camlock as shown in the instructions.

Note: ensure that the arrow on the top of the camlock points towards the entry hole for the male camlock.

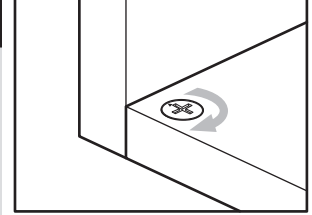


Step 4

Turn the female camlock clockwise with a screwdriver.

You should feel a click when the camlock is locked in place.

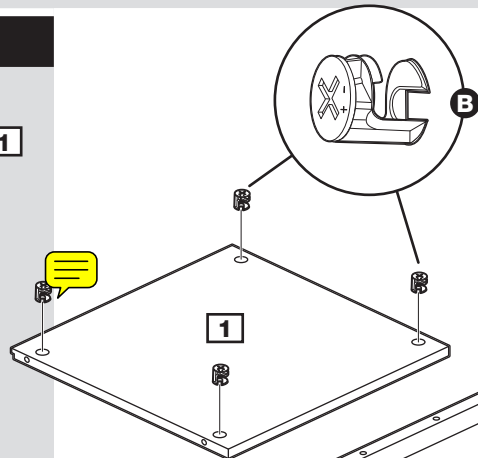
The joint is now secure.



Assembly Instructions

Step 1

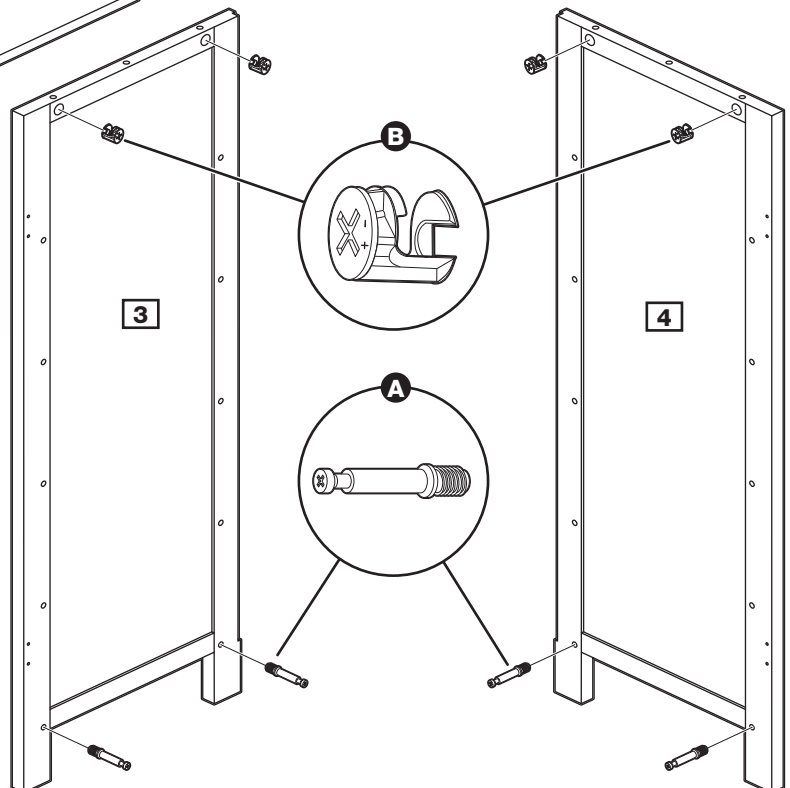
Fix 4 x large female camlock **B** into base **1** as shown.



Step 2

Insert 2 x large female camlock **B** into bottom left side **3** and right side **4** as shown.

Fix 2 x 35mm male camlock **A** into bottom left side **3** and right side **4** as shown.



Assembly Instructions

Step 3

Fix 4 x small female camlock **C** into underside of 2 x top shelf **11** as shown.

Step 4

Fix 4 x 35mm male camlock **A** and 2 x 30mm wooden dowel **D** into underside of top **7** as shown.

Step 5

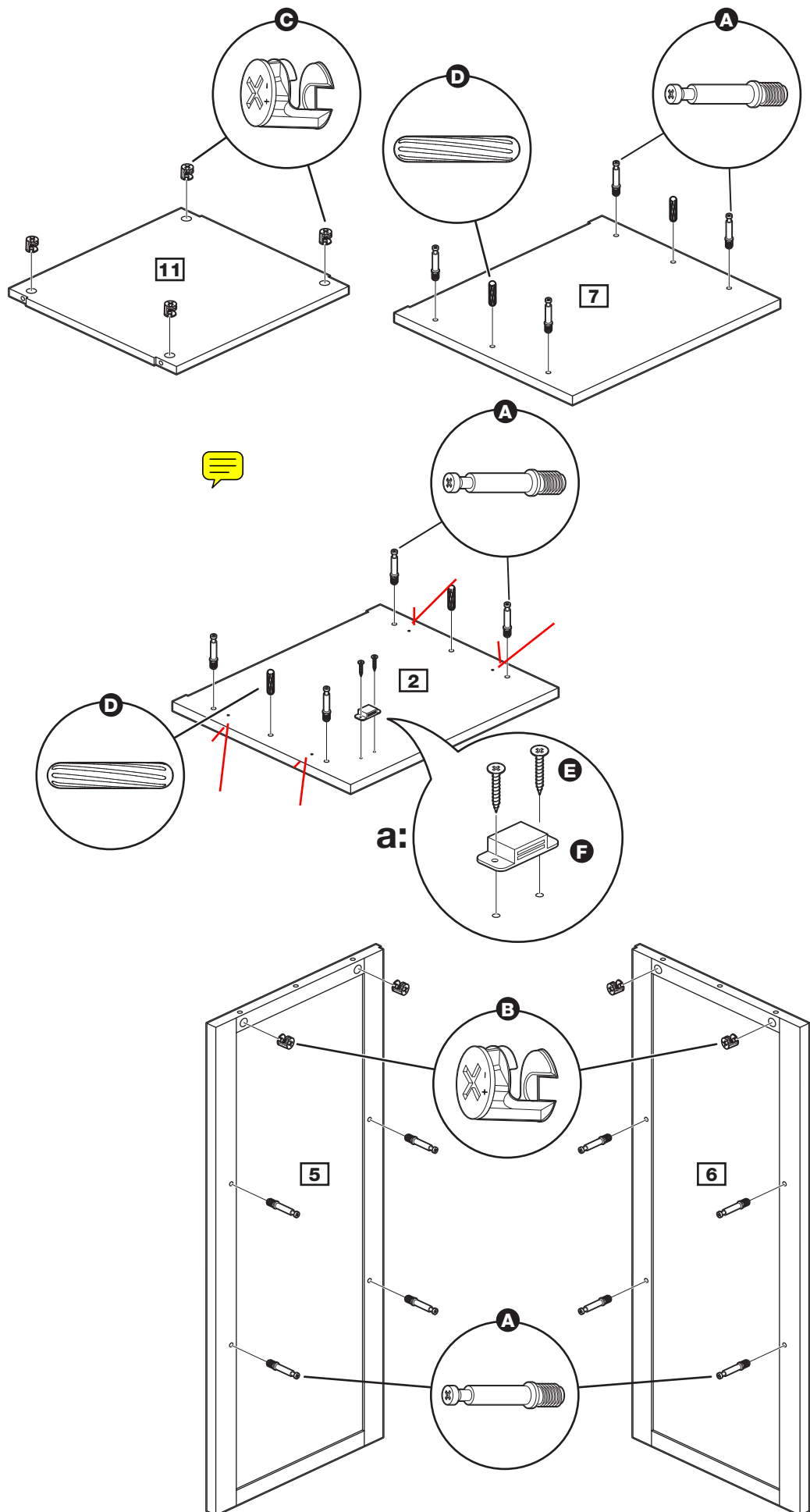
Fix 4 x 35mm male camlock **A** and 2 x 30mm wooden dowel **D** into underside of middle shelf **2** as shown.

Connect magnetic catch **F** to underside of top **7** using 2 x 14mm screw **E** as shown (**a**).

Step 6

Insert 2 x large female camlock **B** into top left side **5** and top right side **6** as shown.

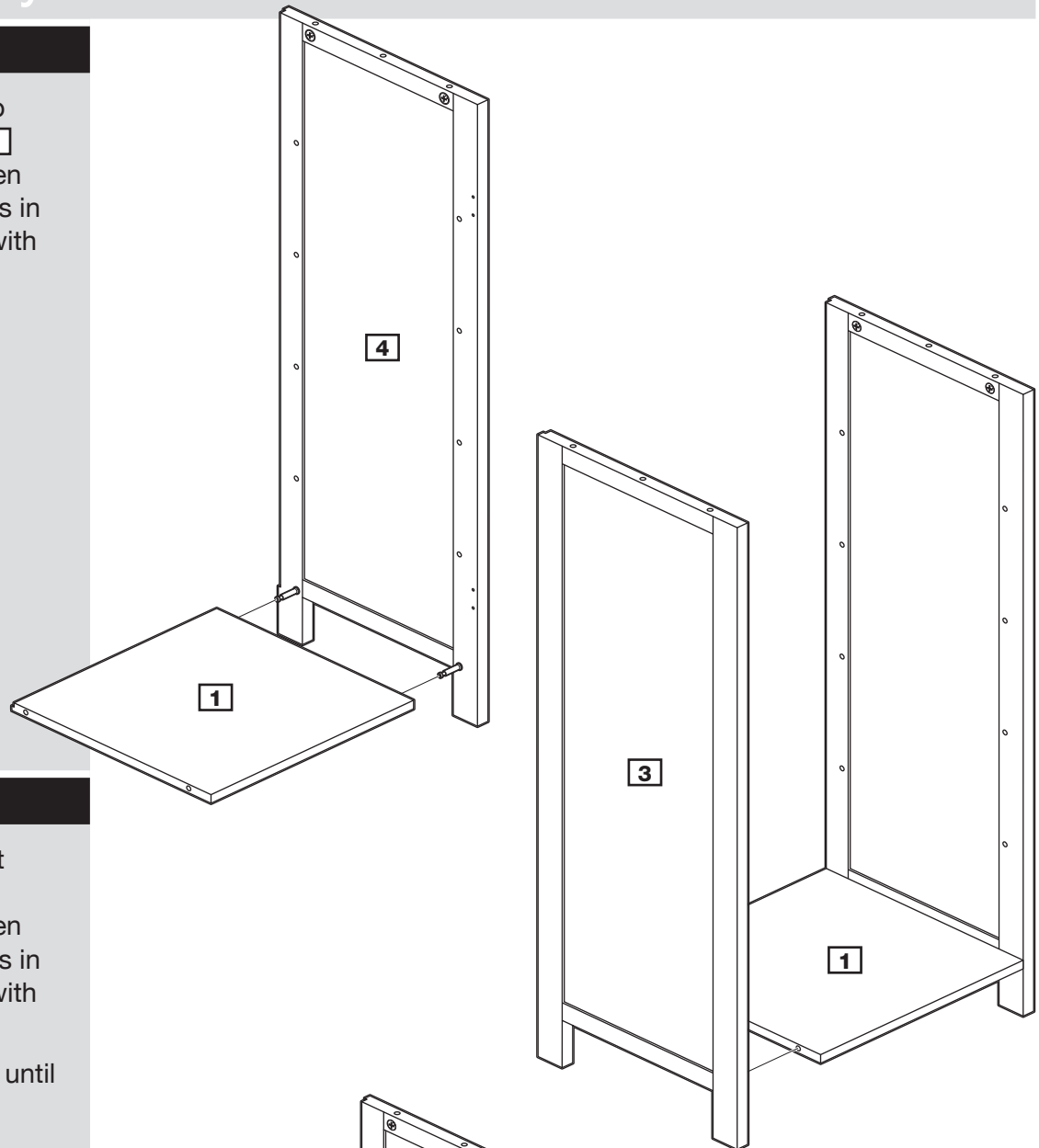
Fix 4 x 35mm male male camlock **A** into top left side **5** and top right side **6** as shown.



Assembly Instructions

Step 7

Connect base **1** to bottom right side **4** as shown and tighten the female camlocks in underside of base with a screwdriver.



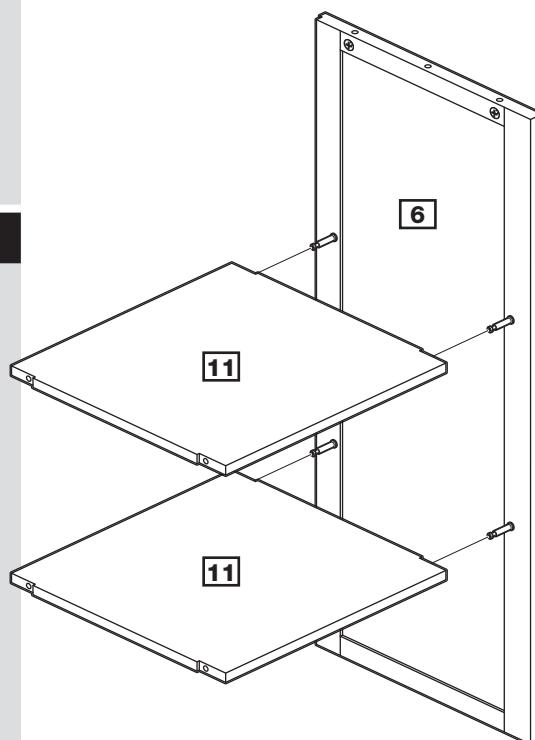
Step 8

Connect bottom left side **3** to base **1** as shown and tighten the female camlocks in underside of base with a screwdriver.

Set assembly aside until Step 13.

Step 9

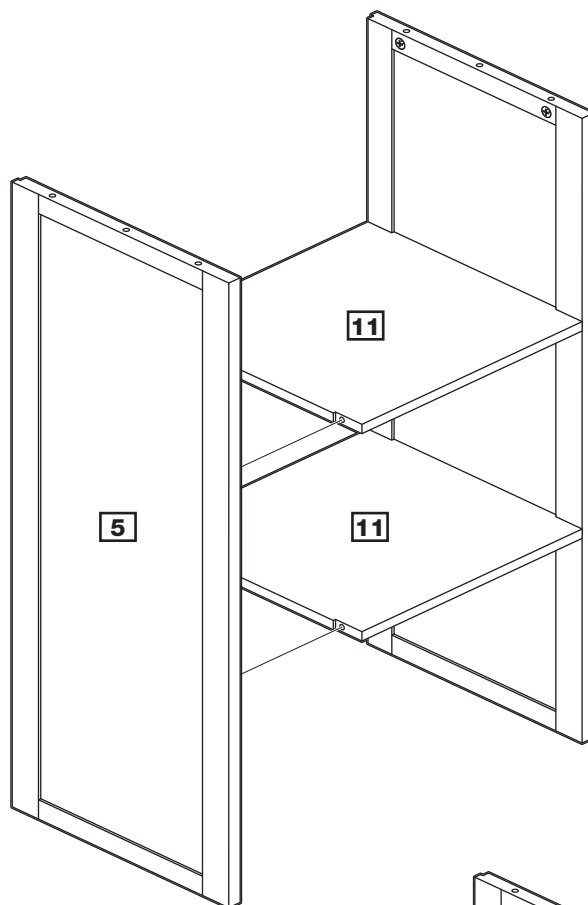
Connect 2 x top shelf **11** to top right side **6** as shown and tighten the female camlocks in underside of shelves with a screwdriver.



Assembly Instructions

Step 10

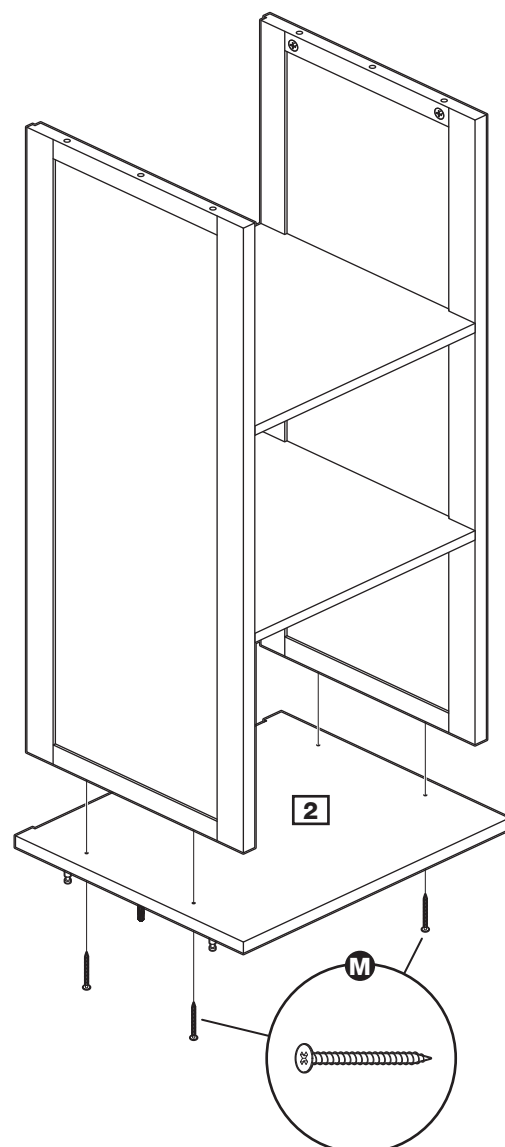
Connect top left side **5** to exposed ends of top shelves **11** as shown and tighten the female camlocks in underside of shelves with a screwdriver.



Step 11

Fix assembly completed at Step 10 to middle shelf **2** as shown using 4 x 35mm screw **M**.


Note: the male camlocks and wooden dowels inserted into middle shelf **2** at Step 5 must be pointing downwards.

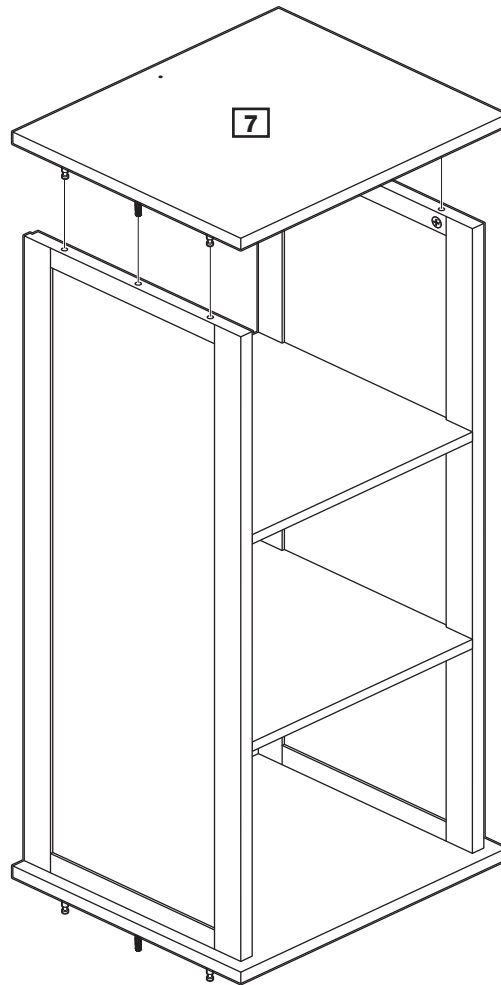


Assembly Instructions

Step 12

Connect top **7** to assembly completed at Step 11 as shown. Tighten the female camlocks inside the unit with a screwdriver.

Note: the groove in the edge of top **7** must be pointing to the rear 



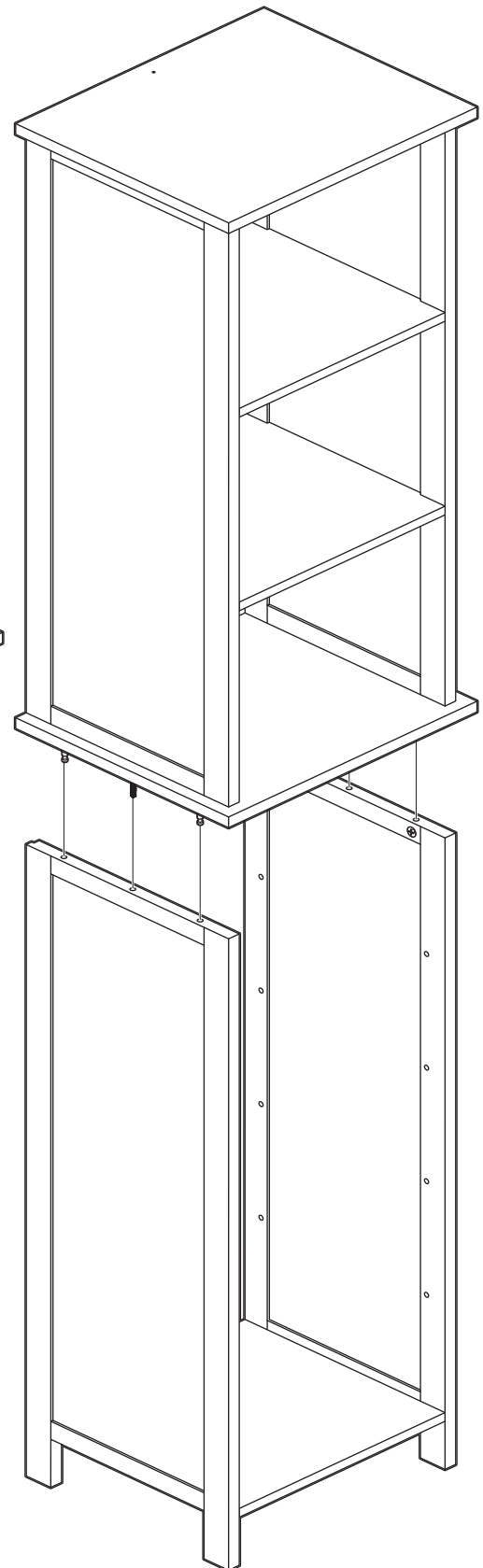
Step 13

Connect assembly completed at Step 12 to assembly completed at Step 8 as shown.

Tighten the female camlocks inside bottom left and bottom right sides with a screwdriver.



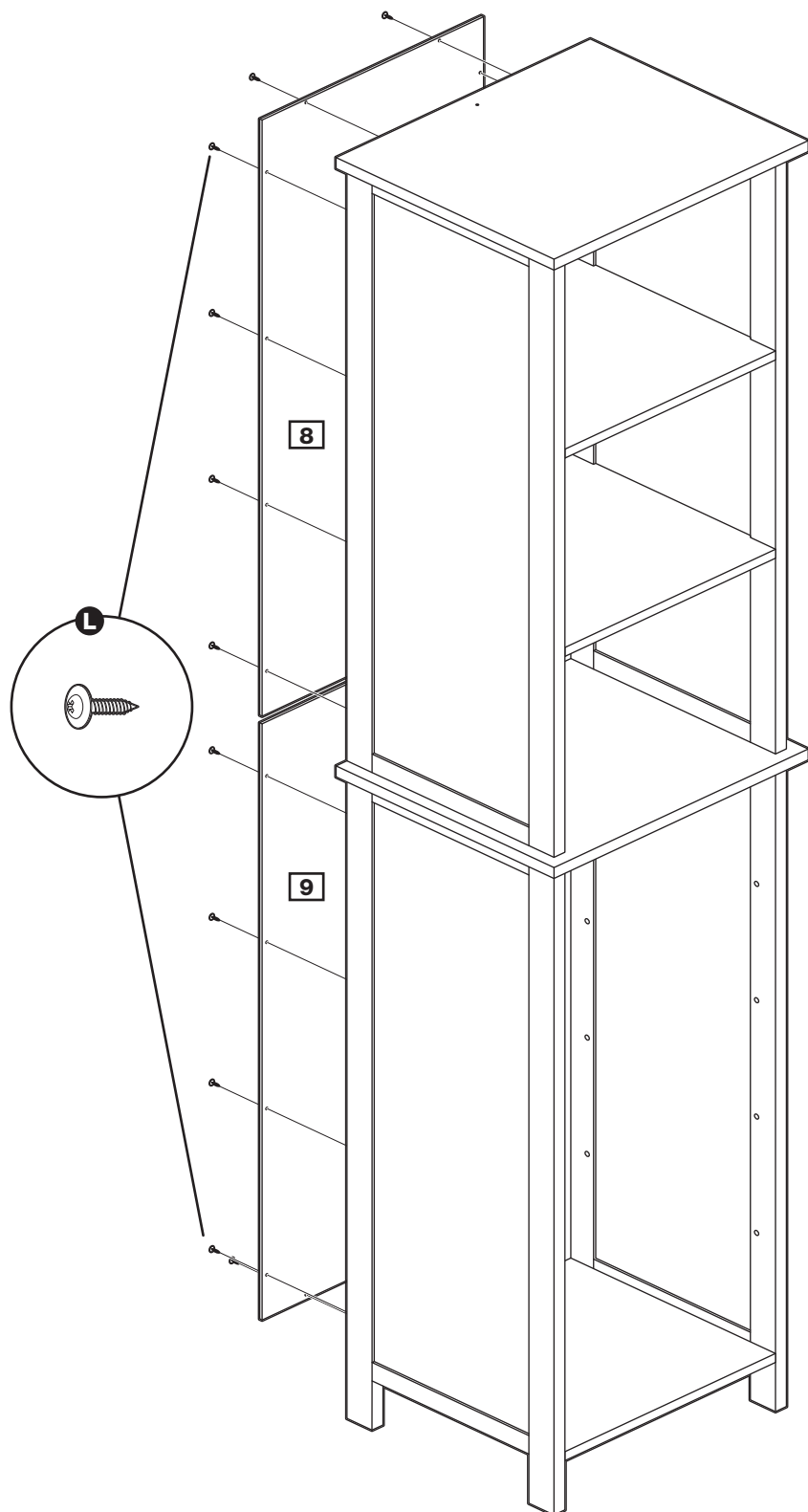
Warning: the unit is heavy. Ask someone to help you with this step.



Assembly Instructions

Step 14

Fix bottom back panel **8** and top back panel **9** to the rear of the unit using back panel screws **L** as shown.



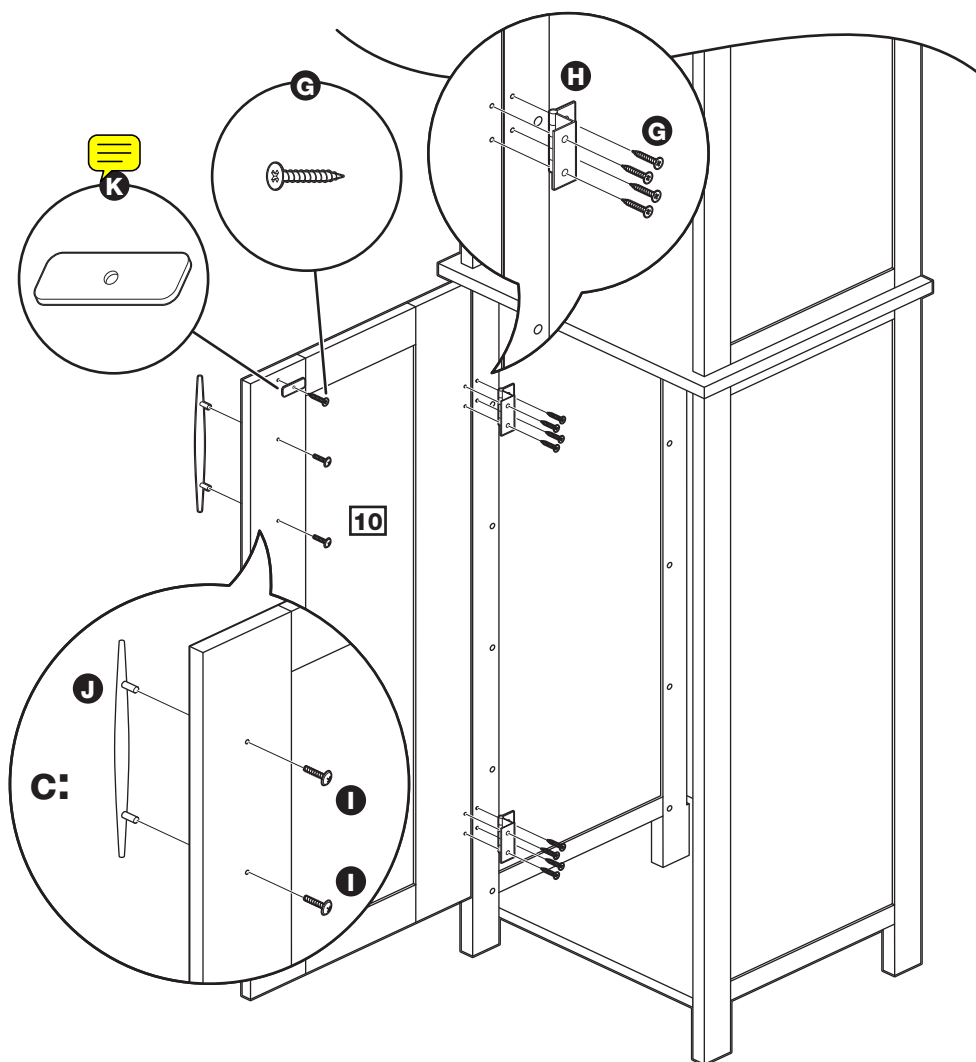
Assembly Instructions

Step 15

Connect door **10** to the unit using 2 x hinge **H** and 8 x 10mm screw **G** as shown **(b:)**.

Connect handle **J** to door using 2 x 16mm bolt **I** as shown **(c:)**.

Connect catch plate **K** to door using 1 x 10mm screw **G**.

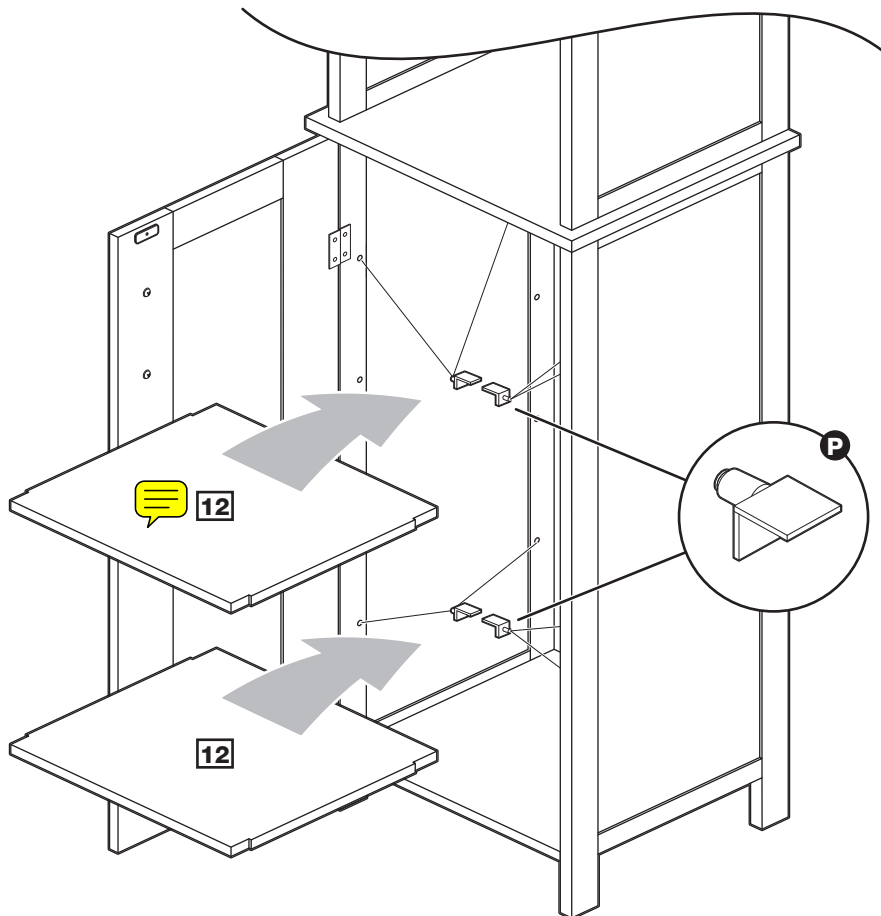


Assembly Instructions

Step 16

Insert 8 x shelf bracket **P** into holes inside the unit at the desired heights ensuring that each set of shelf brackets are level with each other.

Set 2 x internal shelf **12** onto shelf brackets as shown.



Assembly Instructions

Step 17

To prevent accidental toppling it is strongly recommended to fix the unit to a wall.

Connect safety strap **O** to the top of the unit using 1 x 10mm screw **N**.

Fix the other end of the safety strap to a wall using 1 x rawl plug **S**, 1 x washer **R** and 1 x 35mm wall screw **Q**.

Note: see the back cover for more information on wall mounting and the suitable use of the supplied rawl plugs.

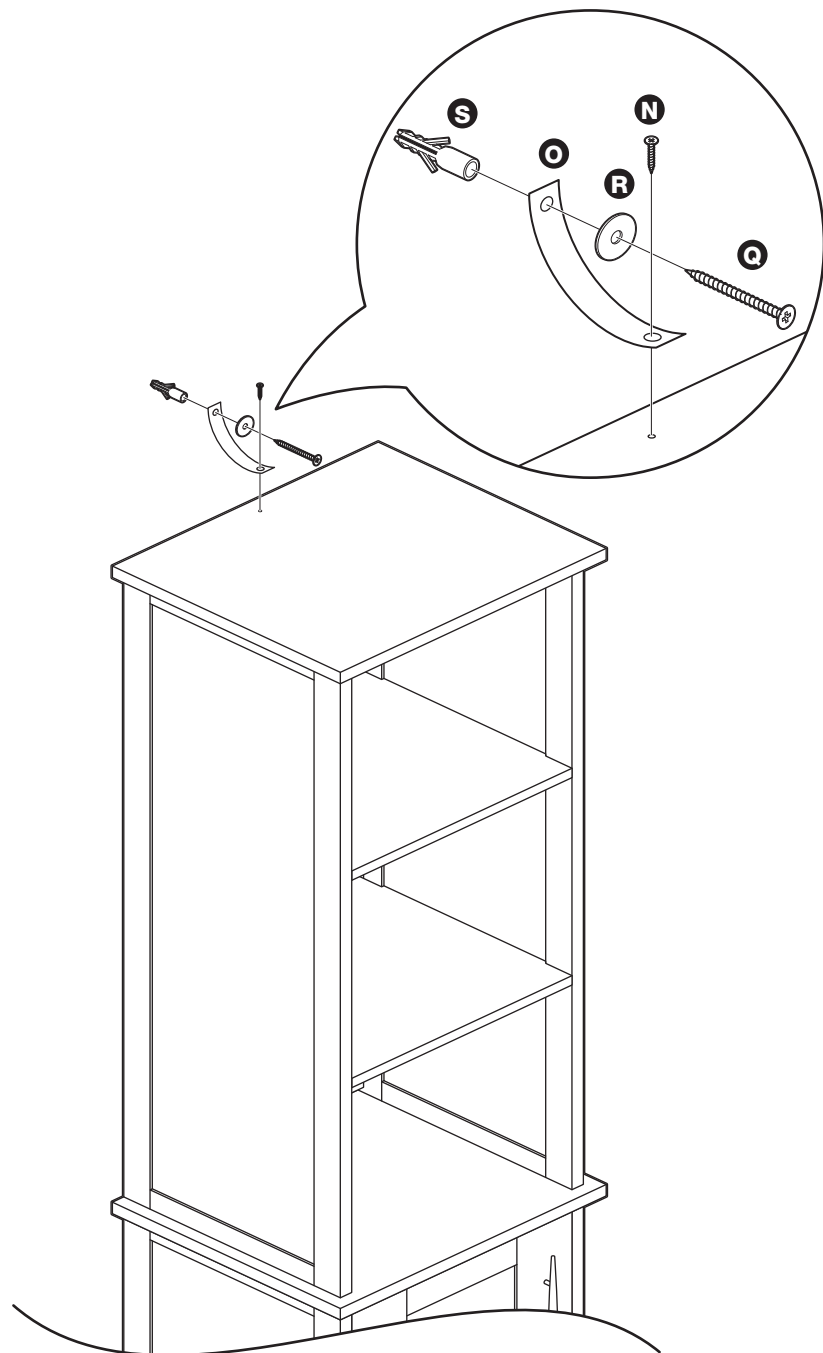


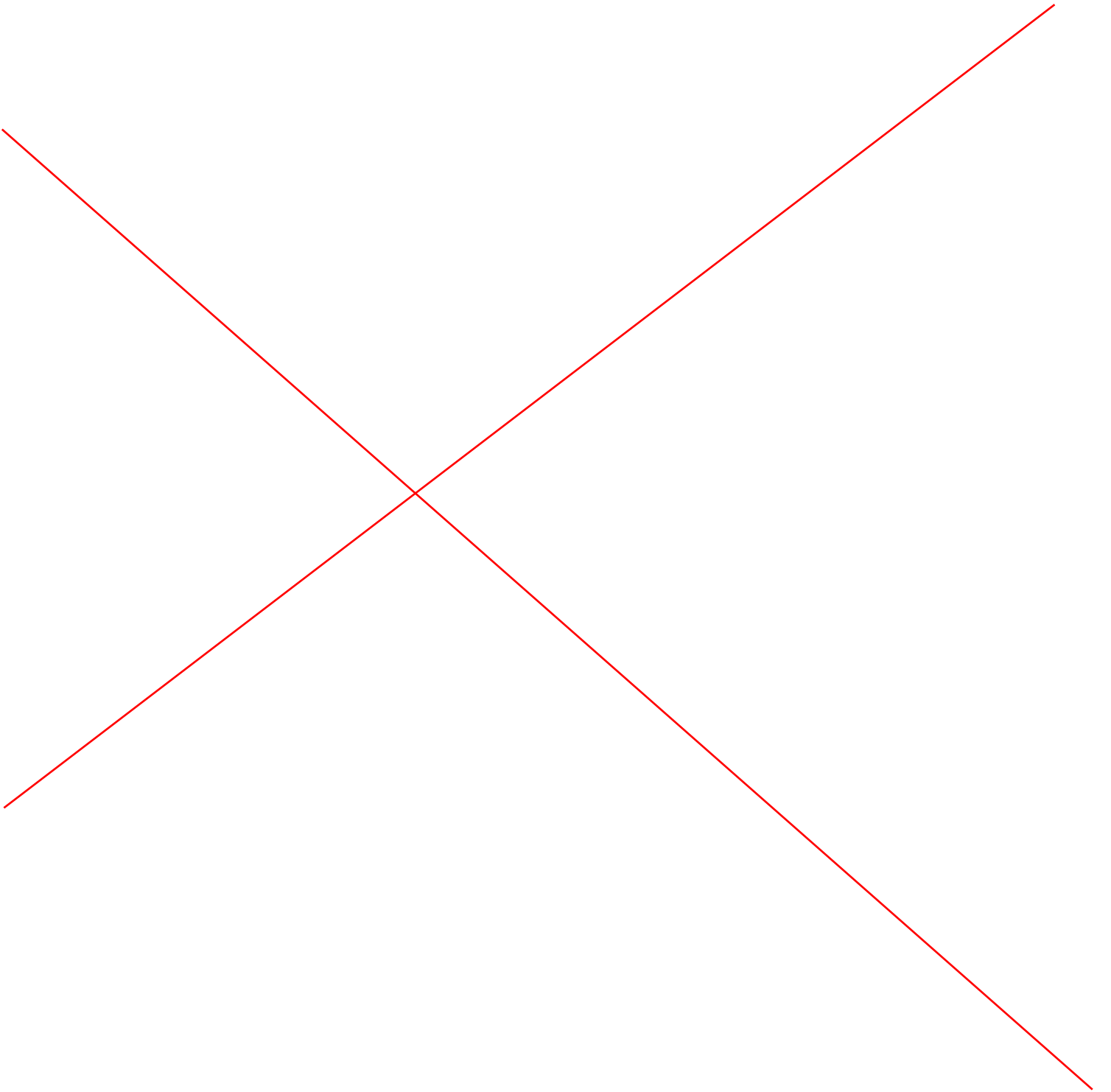
Warning: Before drilling, check wall for hidden pipes and cables.

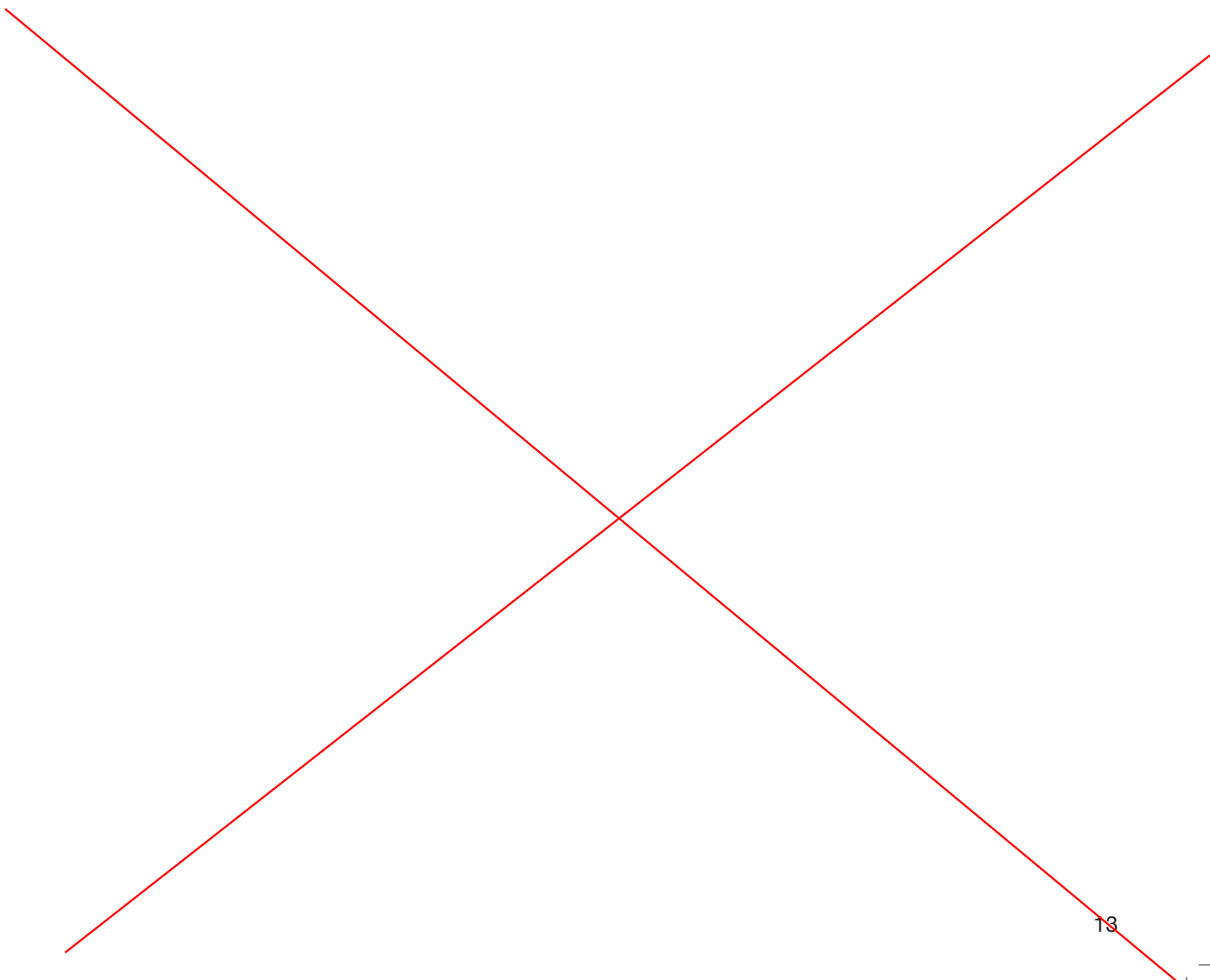


Warning: the unit is heavy. Ask someone to help you with this step.

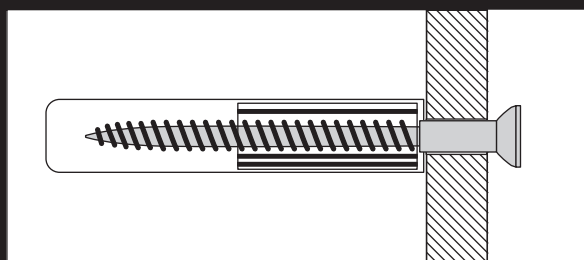
Assembly complete.








A Guide to Wall Mounting & Fixings



IMPORTANT:

When drilling into walls always check that there are no hidden wires or pipes etc. Make sure that the screws and wall plugs being used are suitable for supporting your unit. Consult a qualified tradesperson if you are unsure.

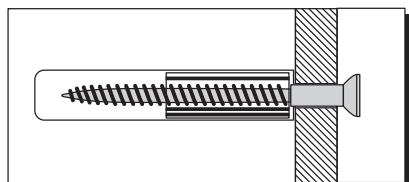
HINTS:

- 1) General Rule  Always use a larger screw and wall plug if you are not sure.
- 2) Ensure you use the recommended drill bit to match the wall plug and hole size.
- 3) Ensure you drill the hole horizontally, do not force the drill or enlarge the holes.
- 4) Take extra care when drilling high walls, ceilings and ceramic tiles.
Ensure the plug is fitting below the ceramic tile to avoid splitting or cracking.
- 5) Ensure wall plugs are well fitted and are a tight fit in the drilled hole.

Types of Wall

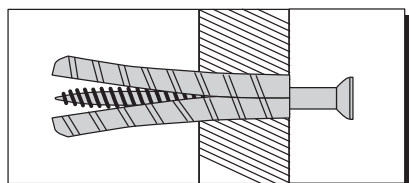
You can use one of the following types of wall plug if your walls are made of brick, breeze block, concrete, stone, wood or plaster board.

No.1 "Standard" Wall Plug General Wall Materials



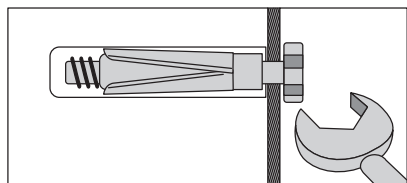
These come in various sizes and are made from plastic or sometimes wood fiber.

No.2 "General Purpose" Wall Plug Aerated / Breeze Block



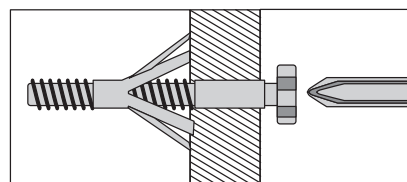
Generally aerated blocks should not be used to support heavy loads, use a specialist fitting in this case. For light loads, a General Purpose Plug can be used.

No.3 "Shield Anchor" Wall Plug Heavy loads



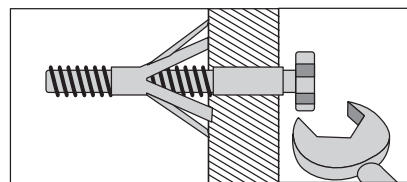
For use with heavier loads such as TV & HiFi speakers and satellite dishes etc.

No.4 "Cavity Fixing" Wall Plug



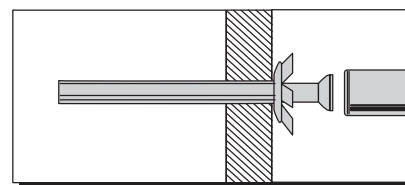
For use with plaster board partitions or hollow wooden doors.

No.5 "Cavity Fixing - Heavy Duty" Wall Plug



For use when fitting or supporting heavy loads such as shelving wall cabinets, coat racks.

No.6 "Hammer Fixing" Wall Plug



For use with walls stuck with plaster board. The hammer fixing allows it to be fixed to the wall rather than the plaster board. Always check the fixing is secure to the retaining wall.

CARE AND MAINTENANCE

SAFETY

Always check the fitting and location to ensure your safety in and around the home.

FITTING

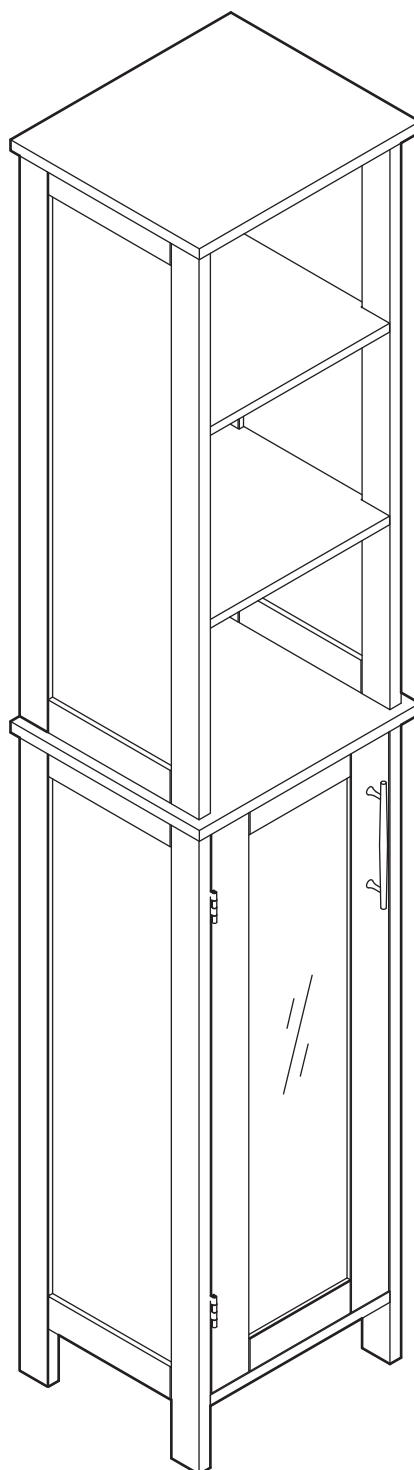
From time to time check the fitting to ensure the wall plugs or screws do not become loose.

If you need help or have damaged or missing parts, call the Customer Helpline: 0845 640 0800
Home Retail Group, 489-499 Avebury Boulevard, Saxon Gate West, Central Milton Keynes, Bucks, MK9 2NW

Hygena Insert Tallboy

Assembly Instructions – Please keep for future reference

833/4448



Dimensions

Width - 35cm

Depth - 30cm

Height - 170cm

Important - Please read these instructions fully before starting assembly

If you need help or have damaged or missing parts, call the Customer Helpline: 08456 400800



Safety and care advice

Important - Please read these instructions fully before starting assembly

- Check you have all the components and tools listed on pages 2 and 3.
- Remove all fittings from the plastic bags and separate them into their groups.
- Keep children and animals away from the work area, small parts could choke if swallowed.
- Make sure you have enough space to layout the parts before starting.
- Do not stand or put weight on the panels, this could cause damage.
- Assemble the unit as close to its final position (in the same room) as possible.

- Assemble on a soft level surface to avoid damaging the unit or your floor.
- **Note:** Only apply the glue once you are sure of the assembly.
- The wall plugs supplied are suitable for solid walls only. It is important that the correct type of fixing is used for your wall, seek professional advice if in doubt.
- Parts of the assembly will be easier with 2 people.
- If using power tools, please follow the safety instructions supplied with the tools.



- We do not recommend the use of power drill/ drivers for inserting screws, as this could damage the unit. Only use hand screwdrivers.

- **Warning:** Before drilling, check the wall for hidden pipes and cables.
- Dispose of all packaging carefully and responsibly.

Glue safety - Take care when using glue, please follow the advice below

Skin contact: Remove contamination by washing with soap and water. This procedure should also be followed prior to eating and drinking.

Eye contact: Rinse immediately with clean water for 15 minutes and seek medical advice.

If swallowed: Seek medical advice immediately. If possible show product information or label to the medical advisor.

Care and maintenance

- Only clean using a damp cloth and mild detergent, do not use bleach or abrasive cleaners.

- From time to time check that there are no loose screws on this unit.

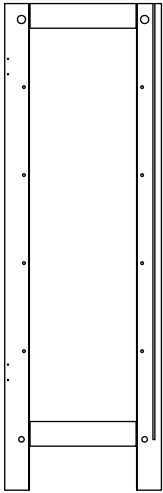
- This product should not be discarded with household waste. Take to your local authority waste disposal centre.

Note: if required the next page can be cut out and used as a reference throughout the assembly. Keep this page with these instructions for future reference.

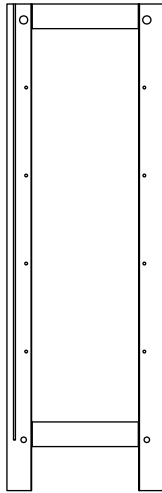
Components - Panels

If you have damaged or missing components,
call the Customer Helpline: 08456 400800

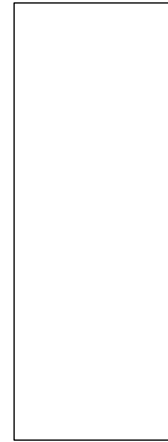
Please check you have all the panels listed below



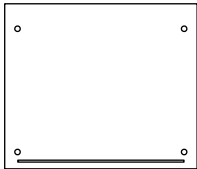
1 Under left side panel



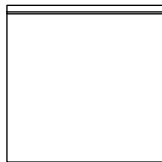
2 Under right side panel



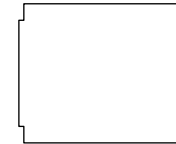
3 Under back panel



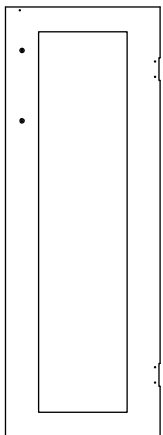
4 Top panel



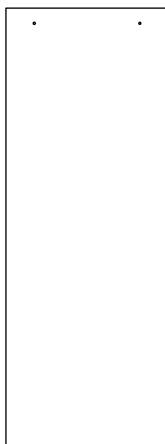
5 Bottom panel



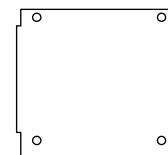
6 Adjustable shelf x 2



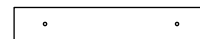
7 Door panel



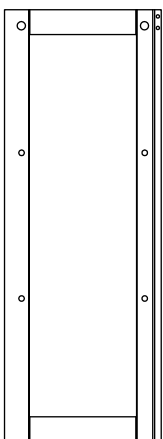
8 Upper back panel



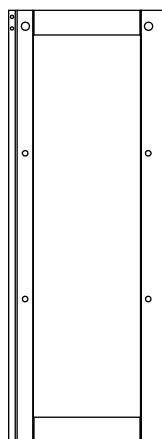
9 Shelf x 2



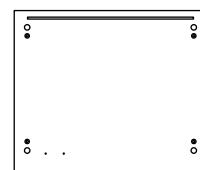
10 Back rail



11 Upper left side panel



12 Upper right side panel



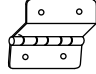
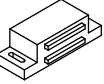
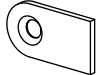
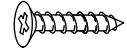
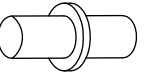




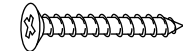


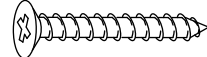


13 Middle fixed shelf

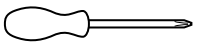
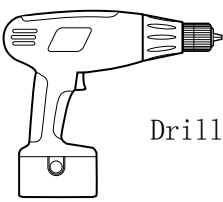

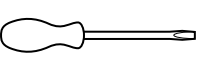

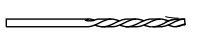
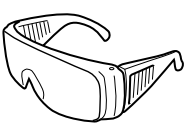
Components - Fittings

Please check you have all the fittings listed below

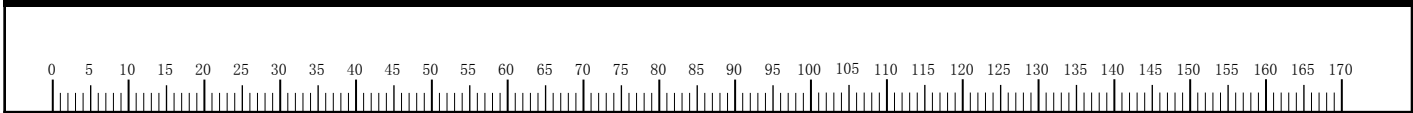
Note: The quantities below are the correct amount to complete the assembly. In some cases more fittings may be supplied than are required.

| | | |
|---|--|---|
|  <p>A Locking Pin x 20</p> |  <p>B Locking Nut x 20</p> |  <p>C Hinge x 2</p> |
|  <p>D Magnetic Catch x 1</p> |  <p>E Strike Plate x 1</p> |  <p>F 12mm Screw x 11</p> |
|  <p>G Metal Support x 8</p> |  <p>H Metal handle x 1</p> |  <p>I 18mm Bolt x 2</p> |
|  <p>J Back panel hook x 4</p> |  <p>K 16mm Screw x 4</p> |  <p>L 35mm Screw x 4</p> |
|  <p>M Wooden dowel x 8</p> |  <p>N Wall plug(for solid walls only) x 2</p> |  <p>O 45mm Screw x 2</p> |

Tools required

| | | | | |
|--|--|--|---|---|
|  | <p>Phillips screwdriver (medium & large)</p> |  <p>Drill</p> |  | <p>Small hammer</p> |
|  | <p>Flatblade screwdriver (medium)</p> | |  | <p>Ruler/tape measure</p> |
|  | <p>7mm Suitable drill bit (for use with wall plug)</p> | |  | <p>Eye protection (when using a hammer or glue)</p> |

Ruler - Use this ruler to help correctly identify the screws



Assembly Instructions

Step 1

Assembling the upper unit

NOTE: It would be useful to ask someone to help you at this stage.

a: Screw locking pins **A** into upper left side panel **11** and upper right side panel **12**.

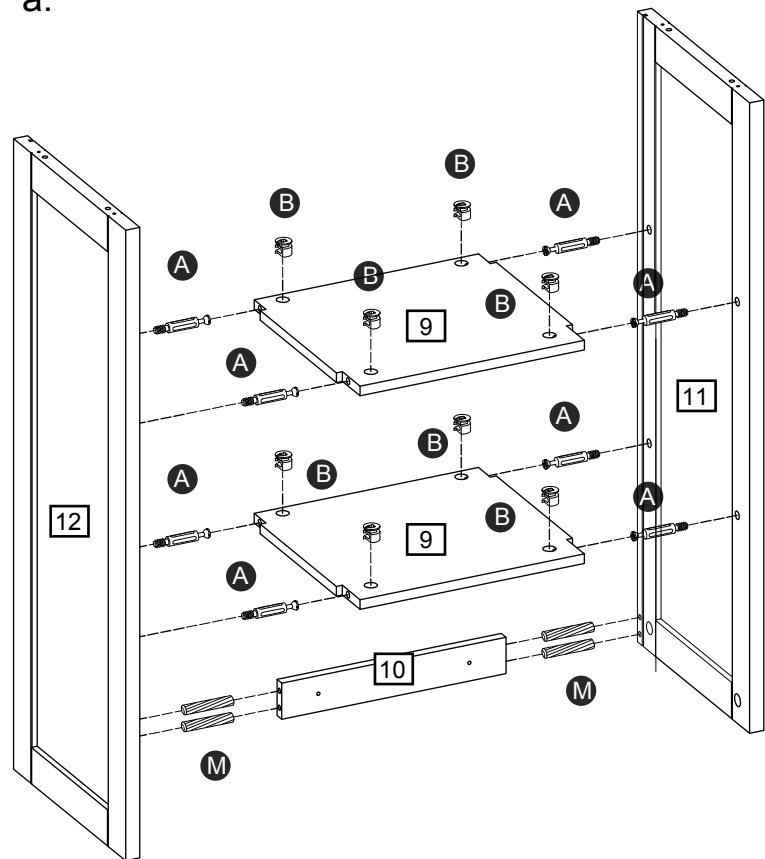
Insert dowels **M** into back rail **10**.

Insert locking nuts **B** into shelf **9**.

Attach upper left side panel to right side panel with shelf **9** and back rail **10** in the middle.

Tighten the locking nuts to secure the unit.

a:



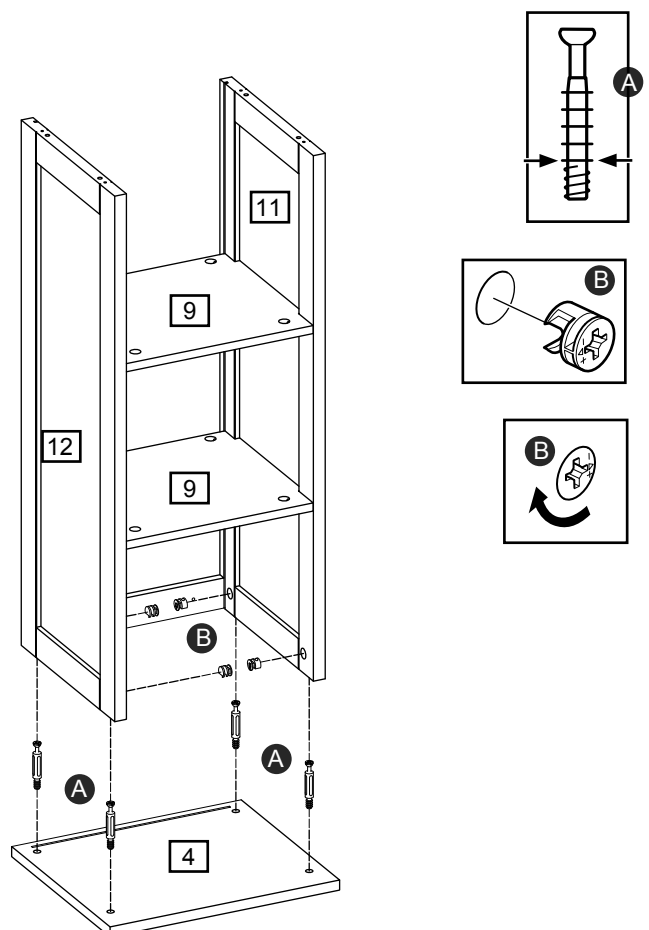
b: Screw locking pins **A** into the top panel **4**.

Insert locking nuts **B** into side panels **11** and **12**.

Carefully attach top panel **4** to the unit, Pls make sure the grooves are aligned.

Tighten the locking nuts to secure the unit.

b:



Continued on next page

Assembly Instructions

Step 1 - continued

Assembling the upper unit

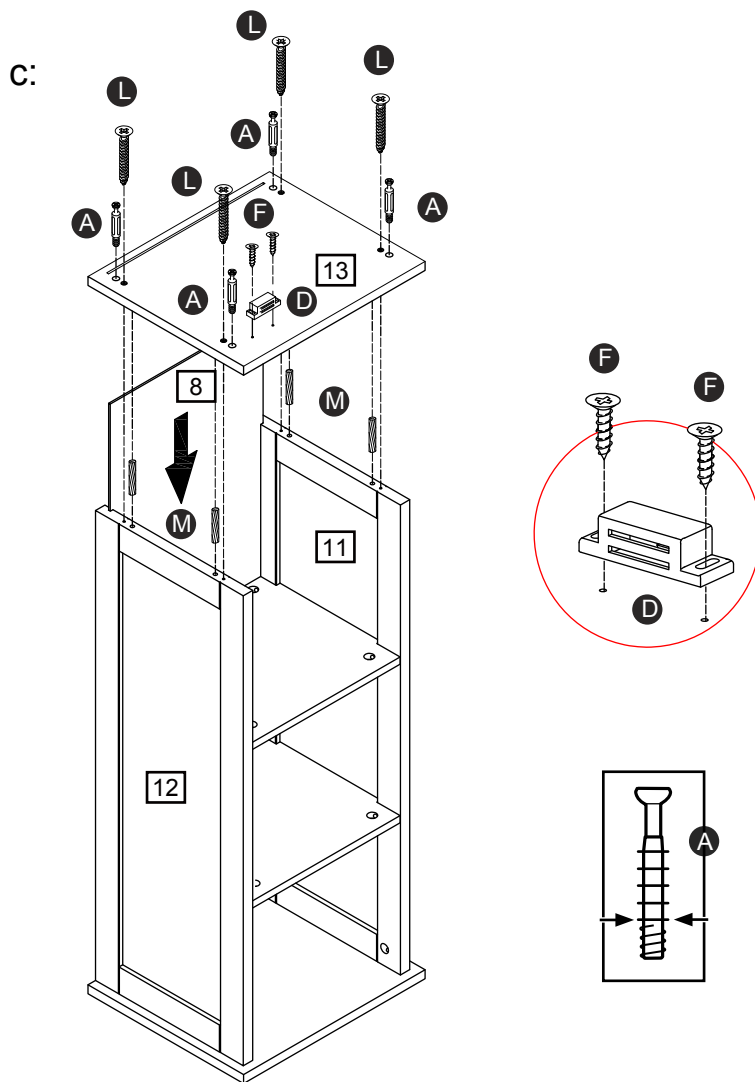
c: Carefully slide the upper back panel **8** into the groove of the unit.

NOTE: Please make sure the holes in the upper back panel **8** match the back rail **10**.

Insert dowels **M** into upper side panel **11** & **12**, attach middle fixed shelf **13** to the upper side panels with 35 screws **L**.

Screw locking pins **A** into middle fixed shelf.

Use 12mm screws **F** to fix magnetic catch **D** on middle fixed shelf.



Step 2

Assembling bottom panel

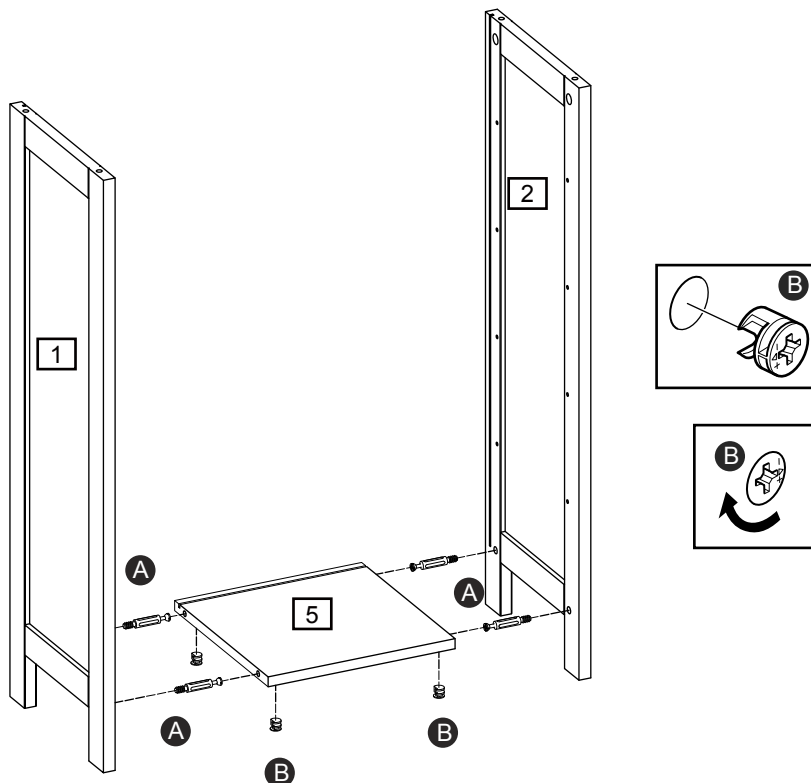
NOTE: It would be useful to ask someone to help you at this stage.

Screw locking pins **A** into under side panel **1** & **2**.

Insert locking nuts **B** into bottom panel **5**.

Carefully attach bottom panel to under side panels. Please make sure the grooves are aligned.

Tighten the locking nuts to secure the unit.



Assembly Instructions

Step 3

Assembling the unit.

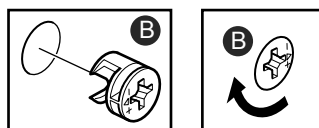
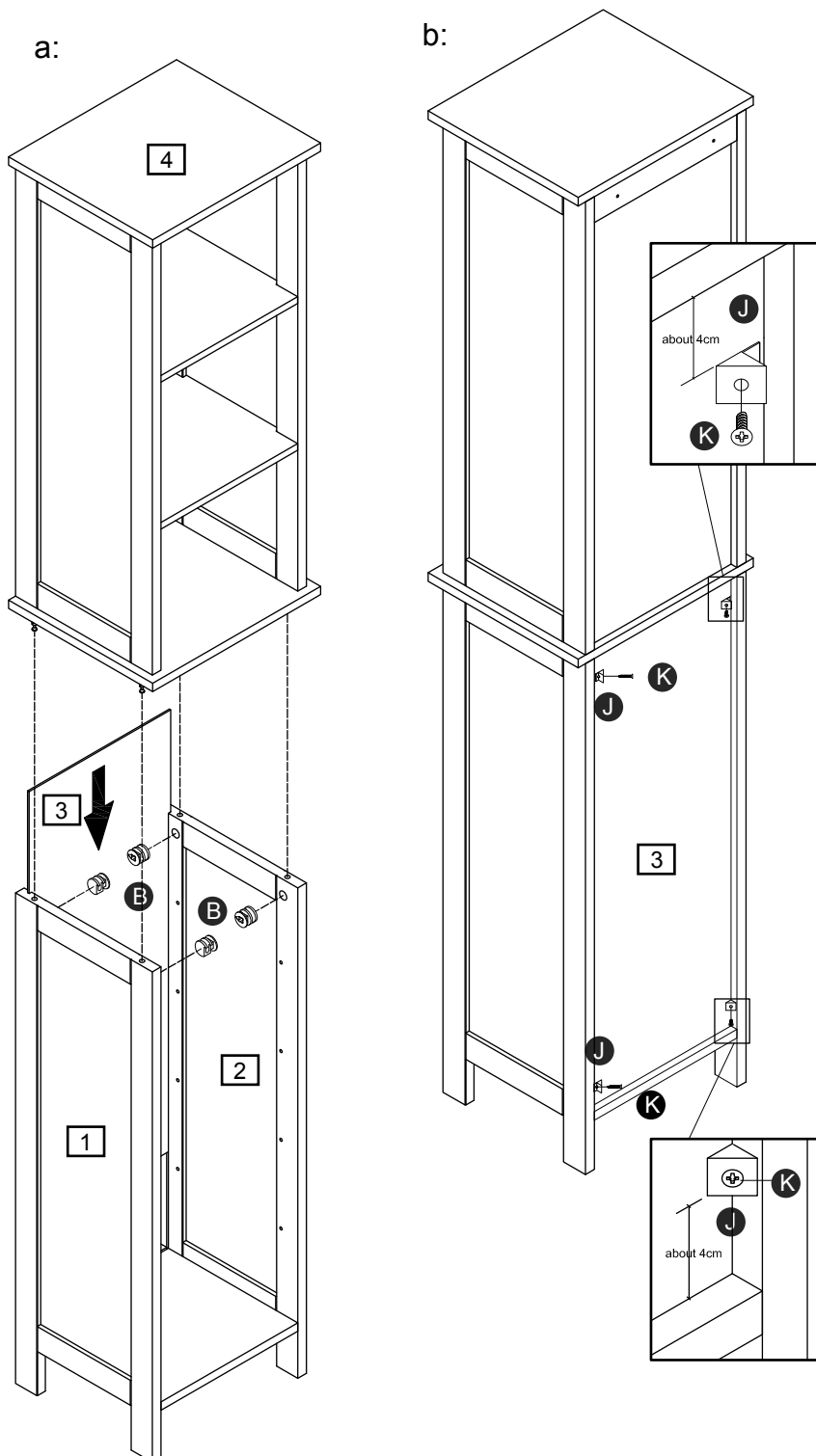
NOTE: It would be useful to ask someone to help you at this stage.

a: Carefully slide under back panel **3** into the under unit.

Insert locking nuts **B** into under left side panel **1** and right side panel **2**.

Attach the upper unit onto the under unit, tighten the locking nuts **B** to secure the unit.

b: Insert back panel hook **J** into the groove of under side panel **1** **2** and use 16mm screw **K** to fix back panel hook to the under unit.



Assembly Instructions

Step 4

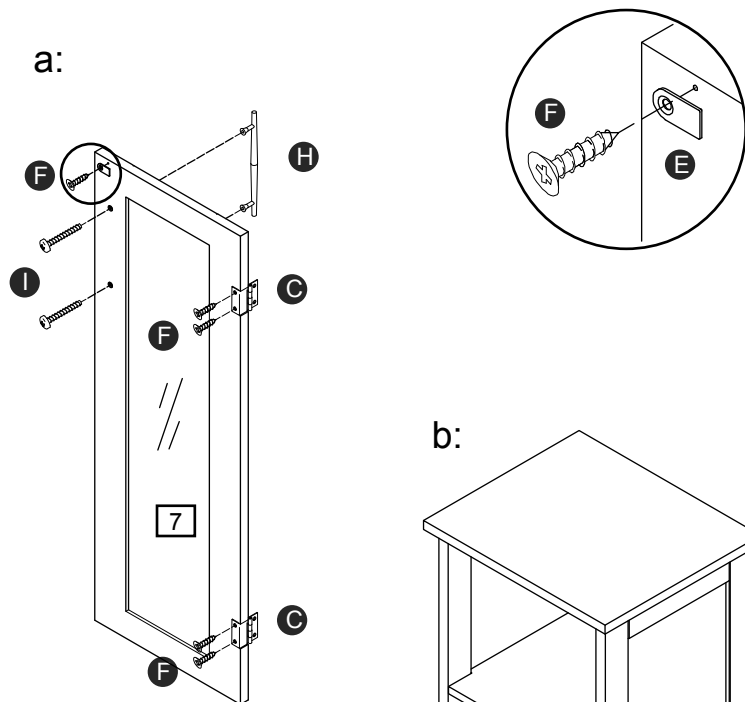
Assembling door panel

NOTE: It would be useful to ask someone to help you at this stage.

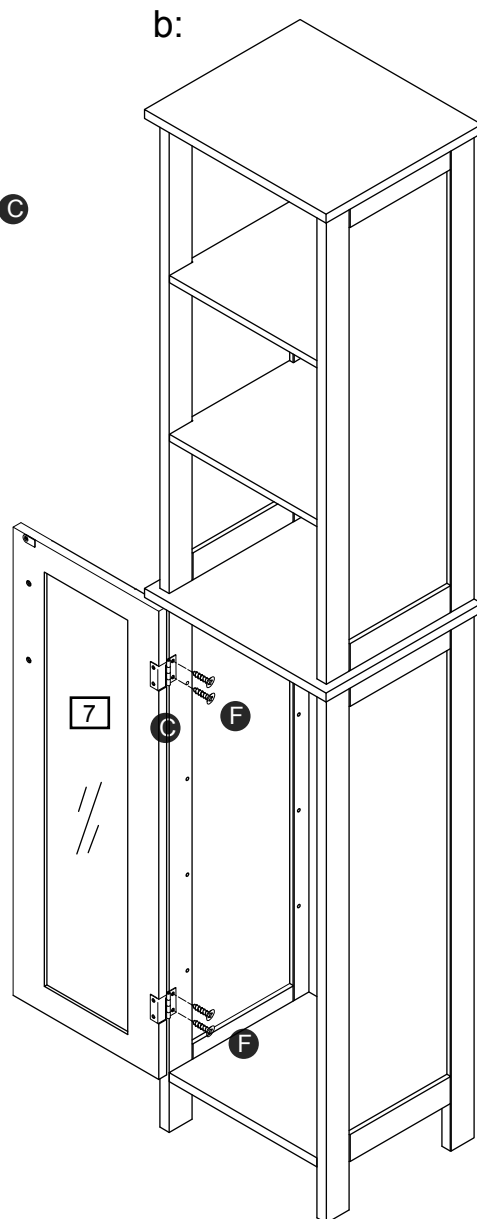
a: Use 12mm screw **F** to fix strike plate **E** onto the door panel **7**.

Use 18mm bolts **I** to fix metal handle **H** onto door panel.

Use 12mm screws **F** to fix hinges **C** onto the door panel.



b: Attach door panel **7** onto the unit by fixing hinge **C** with screw **F**.



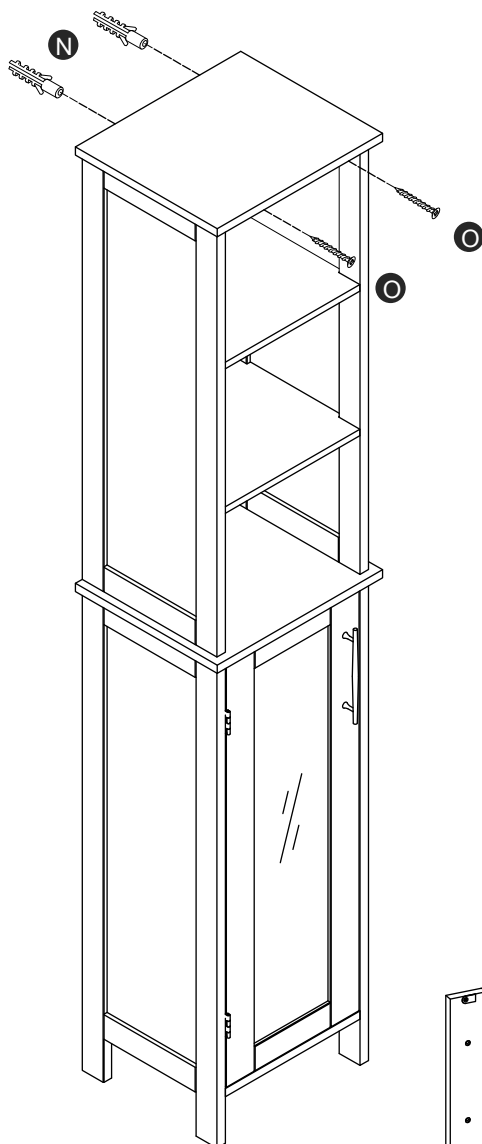
Assembly Instructions

Step 5

Fixing to the wall

NOTE: It would be useful to ask someone to help you at this stage.

Use 45mm screws **Ⓞ** and wall plugs **Ⓝ** to fix the unit on the wall.



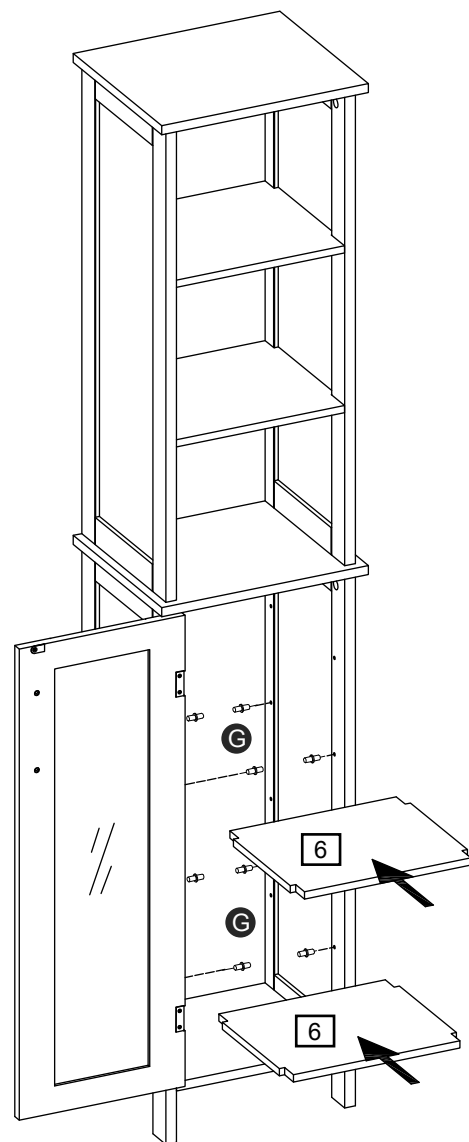
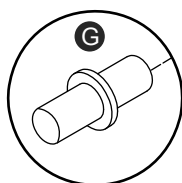
Step 6

Assembling adjustable shelf panel

NOTE: It would be useful to ask someone to help you at this stage.

Insert metal supports **Ⓞ** into side panels **1** **2**.

Carefully put the adjustable shelf panel **6** on it.



NOTE: Please make sure the unit is secure before use.

The assembly is now complete.

NOTE: If you have damaged or missing components, call the Customer Helpline: 08456 400800
Argos LTD, 489-499 Avebury Boulevard,
Central Milton Keynes, MK9 2NW

A Guide to - Wall Mounting & Fixings

Important note:

If plastic wall plugs are supplied with your product:



- these are only suitable for use in masonry walls.

If you are in any doubt about the correct wall plugs for your wall, seek professional advice.


Failure of the product due to using incorrect fixings is the responsibility of the installer.



Important: When drilling into walls always check that there are no hidden wires or pipes etc.

Make sure that the screws and wall plugs being used are suitable for supporting your unit. Consult a qualified tradesperson if you are unsure.

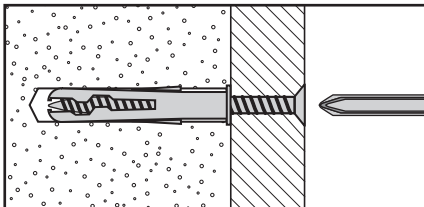
Hints:

- 1: General rule:**  Always use a larger screw and wall plug if you are not sure.
- 2:** Ensure you use the recommended drill bit to match the wall plug and hole size.
- 3:** Ensure you drill the hole horizontally, do not force the drill or enlarge the hole.
- 4:** Take extra care when drilling high walls, ceilings and ceramic tiles. Ensure wall plugs are inserted beyond the thickness of the ceramic tiles to avoid the tiles splitting or cracking.
- 5:** Ensure wall plugs are well fitted and are a tight fit in the drilled hole.

Types of walls

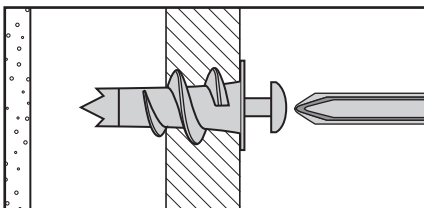
You can use one of the following types of wall plug if your walls are made of brick, breeze block, concrete, stone or wood.

No.1 "General Purpose" wall plug



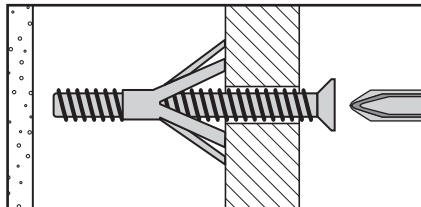
Generally aerated blocks should not be used to support heavy loads, use a specialist fitting in this case. For light loads, general purpose wall plugs can be used.

No.2 "Plasterboard" wall plug



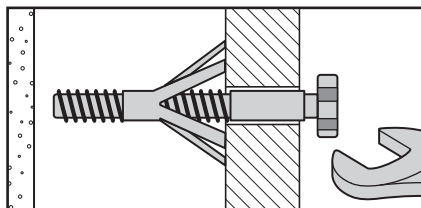
For use when attaching light loads on to plasterboard partitions.

No.3 "Cavity Fixing" wall plug



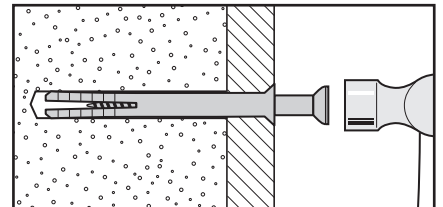
For use with plasterboard partitions or hollow wooden doors.

No.4 "Cavity Fixing-Heavy Duty" wall plug



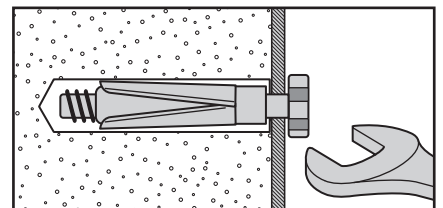
For use when fitting or supporting heavy loads such as shelving, wall cabinets and coat racks.

No.5 "Hammer Fixing" wall plug



For use with walls stuck with plasterboard. The hammer fixing allows it to be fixed to the wall rather than the plasterboard. Always check the fixing is secure to the retaining wall.

No.6 "Shield Anchor" wall plug Heavy loads



For use with heavier loads such as TV & HiFi speakers and satellite dishes etc.



Care & Maintenance

Safety: Always check the fitting and location to ensure your safety in and around the home.

Fitting: From time to time check the fitting to ensure the wall plugs or screws do not become loose.

SAFETY WARNING INFORMATION

Keep these instructions for future use:

WARNINGS

*Do not place very hot or very cold items against or in close proximity to glass surface unless an adequately thick insulating material is used to prevent such items from coming into contact with the glass.

*Do not strike the glass with hard or pointed items.

* Do not sit or stand upon horizontal glass surfaces.

*When cleaning glass panels or mirrors use a damp or leather with washing up liquid or soft soap if necessary do not use washing powders or any other substance containing abrasive since these substances scratch glass.

*It is essential that this unit is fixed to a wall with the fixings provided.

BS7449 : 1991

Catalogue Number: 833/4448 (D)

Manufacture date: Apr. 8th. 2013

Retailer: Argos

Retailer address: 489-499 Avebury Boulevard
Saxon Gate West
Central Milton Keynes
Bucks, MK9 2NW

This unit contains [tempered glass](#) of a nominal thickness of 4 mm, which is not required to be classified to BS6206 Class C.

If a glass is chipped or broken replace with glass of the type described on this label. Consult the manufacturer, retailer, or agent with regard to obtaining a manufacturing specification and shape for replacement glass quoting the model number, and batch number or date of manufacture.