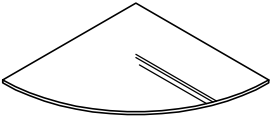



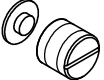


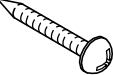

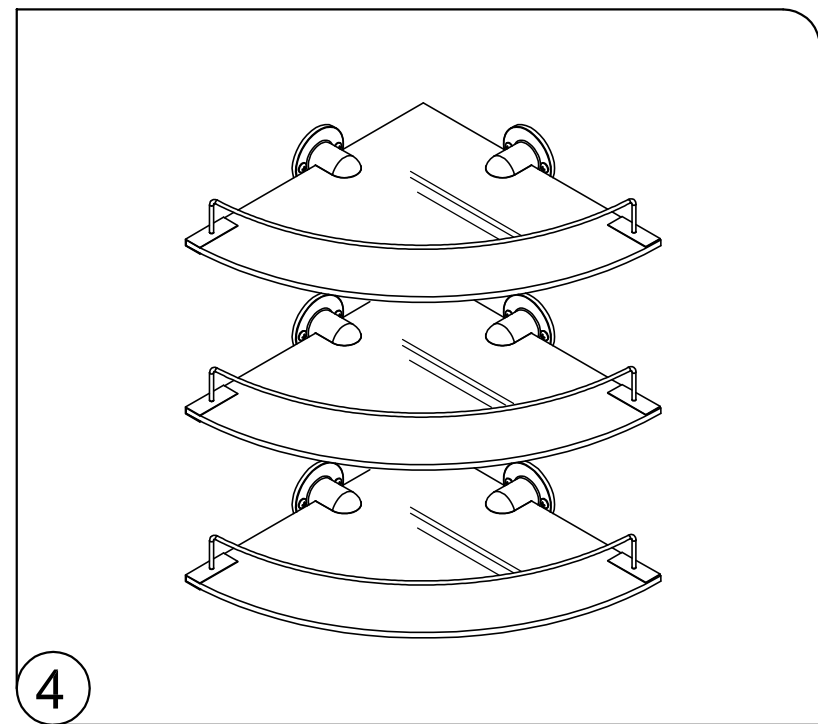
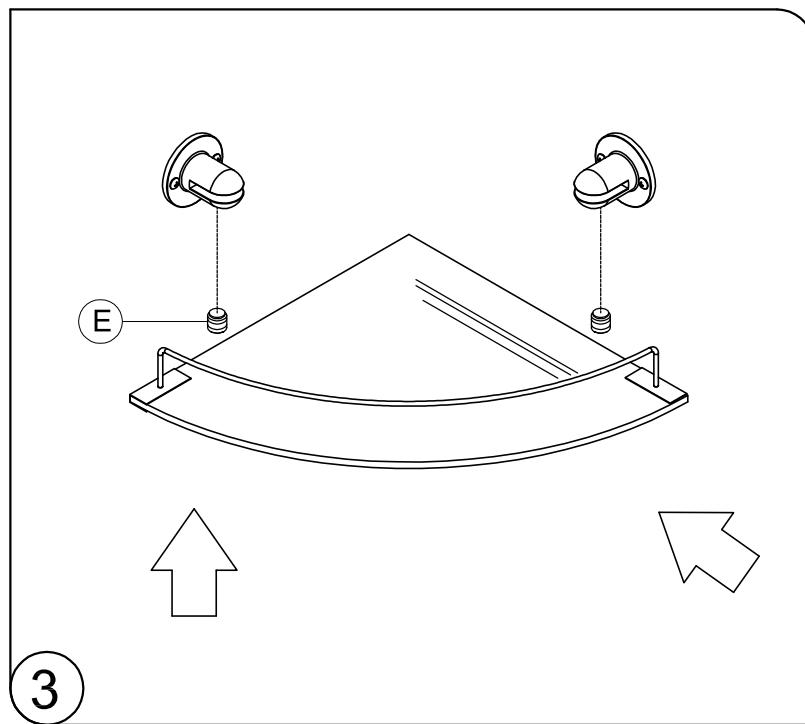
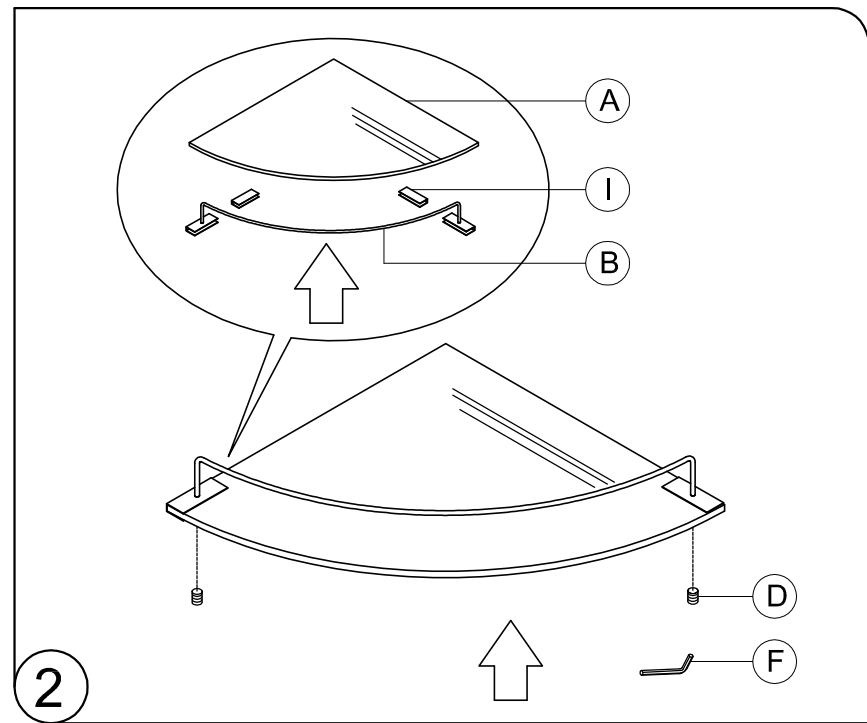
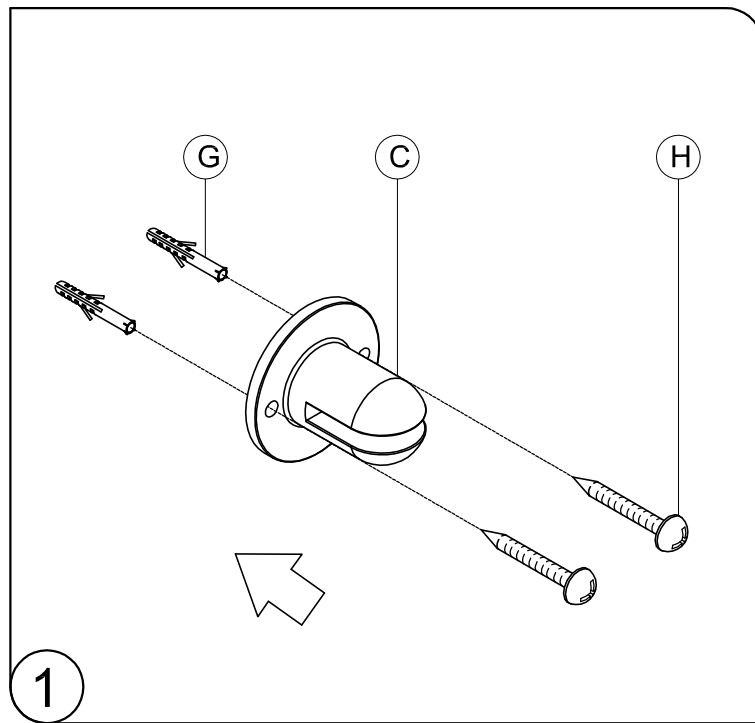


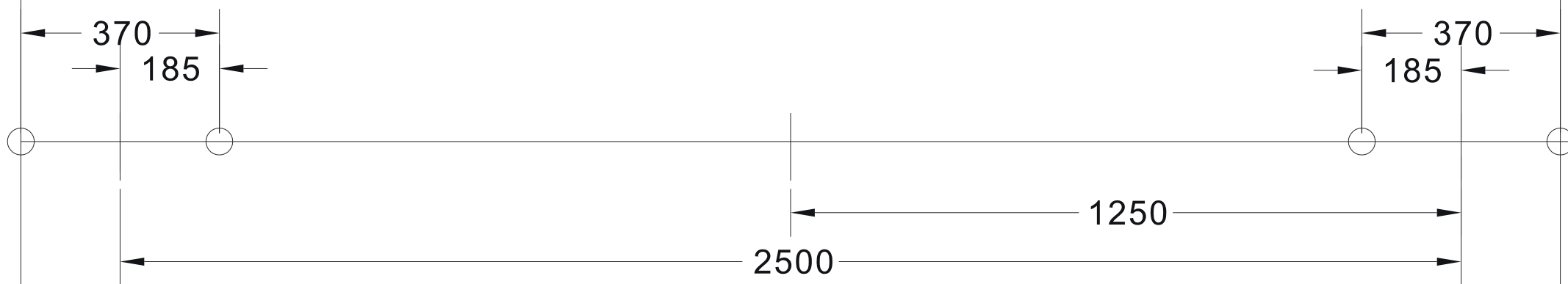
No.	Part	Pcs
A		3
B		3
C		6
D		6
E		6
F		1
G		12
H		12
I		6

Note: The Maximum Safe Load for the Glass Shelf is 1 kg. evenly distributed.



Wall Mounting: Hold the Fixing Template against the wall in the desired location and check if it is horizontal. Mark the wall to indicate where to drill the holes.

Argos Glass Corner Shelves Pack 3



SAFETY WARNING INFORMATION

Keep these instructions for future use:

WARNINGS

- *Do not place very hot or very cold items against or in close proximity to glass surface unless an adequately thick insulating material is used to prevent such items from coming into contact with the glass.
- *Do not strike the glass with hard or pointed items.
- *Do not sit or stand upon horizontal glass surfaces.
- *When cleaning glass panels or mirrors use a damp or leather with washing up liquid or soft soap if necessary; do not use washing powders or any other substance containing abrasive since these substances scratch glass.
- *It is essential that this unit is fixed to a wall with the fixings provided.
- *The Maximum Safe Load for the Glass Shelf is 1 kg. evenly distributed.

BS7449 : 1991

Catalogue Number: 833/1434

Manufacture date: _____

Retailer: Argos

Retailer address: 489-499 Avebury Boulevard
Saxon Gate West
Central Milton Keynes
Bucks, MK9 2NW

This unit contains Tempered glass of nominal thickness of 5 mm.

The glass complies with Class C of BS 6206

If a glass is chipped or broken replace with glass of the type described on this label. Consult the manufacturer, retailer, or agent with regard to obtaining a manufacturing specification and shape for replacement glass quoting the model number, and batch number or date of manufacture.

A Guide to - Wall Mounting & Fixings

Important note:

If plastic wall plugs are supplied with your product:



- these are only suitable for use in masonry walls.

If you are in any doubt about the correct wall plugs for your wall, seek professional advice.


Failure of the product due to using incorrect fixings is the responsibility of the installer.



Important: When drilling into walls always check that there are no hidden wires or pipes etc.

Make sure that the screws and wall plugs being used are suitable for supporting your unit. Consult a qualified tradesperson if you are unsure.

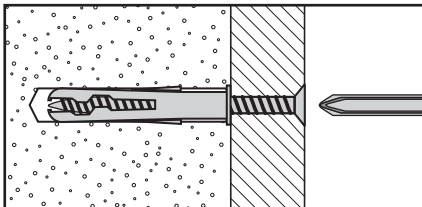
Hints:

- 1: General rule:**  Always use a larger screw and wall plug if you are not sure.
- 2:** Ensure you use the recommended drill bit to match the wall plug and hole size.
- 3:** Ensure you drill the hole horizontally, do not force the drill or enlarge the hole.
- 4:** Take extra care when drilling high walls, ceilings and ceramic tiles. Ensure wall plugs are inserted beyond the thickness of the ceramic tiles to avoid the tiles splitting or cracking.
- 5:** Ensure wall plugs are well fitted and are a tight fit in the drilled hole.

Types of walls

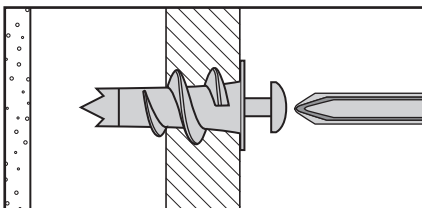
You can use one of the following types of wall plug if your walls are made of brick, breeze block, concrete, stone or wood.

No.1 "General Purpose" wall plug



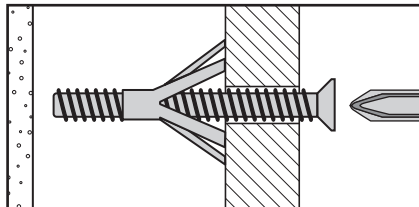
Generally aerated blocks should not be used to support heavy loads, use a specialist fitting in this case. For light loads, general purpose wall plugs can be used.

No.2 "Plasterboard" wall plug



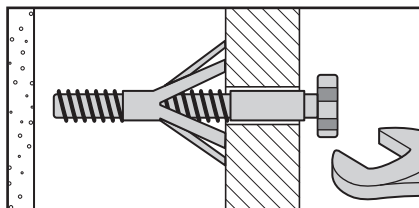
For use when attaching light loads on to plasterboard partitions.

No.3 "Cavity Fixing" wall plug



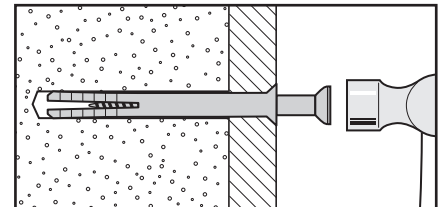
For use with plasterboard partitions or hollow wooden doors.

No.4 "Cavity Fixing-Heavy Duty" wall plug



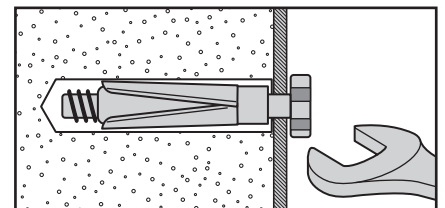
For use when fitting or supporting heavy loads such as shelving, wall cabinets and coat racks.

No.5 "Hammer Fixing" wall plug



For use with walls stuck with plasterboard. The hammer fixing allows it to be fixed to the wall rather than the plasterboard. Always check the fixing is secure to the retaining wall.

No.6 "Shield Anchor" wall plug Heavy loads



For use with heavier loads such as TV & HiFi speakers and satellite dishes etc.



Care & Maintenance

Safety: Always check the fitting and location to ensure your safety in and around the home.

Fitting: From time to time check the fitting to ensure the wall plugs or screws do not become loose.