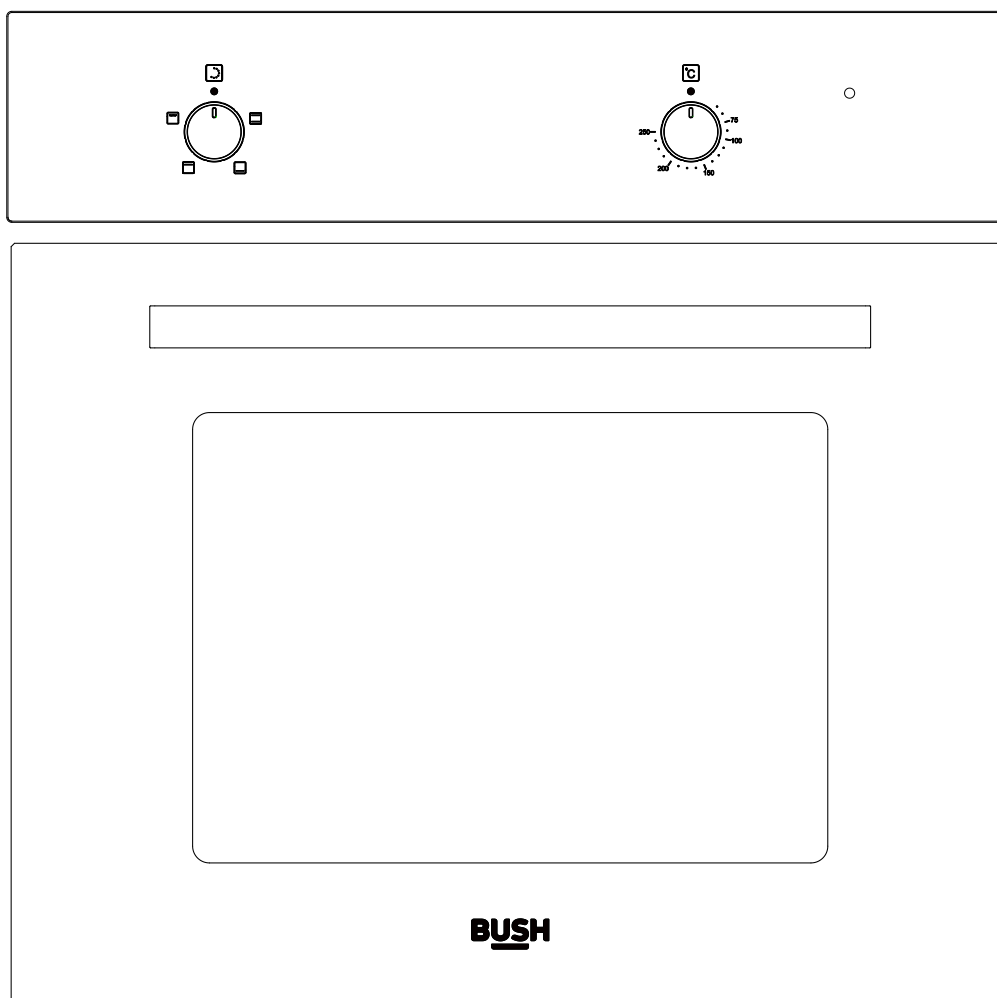


BUSH Built-in Ovens

Installation & User Instructions - Please keep for future reference

Cat no
8144494
8242028

Model
BUSH BSOB BLACK
BUSH BSOB BLACK



Cooker serial number *place sticker here*

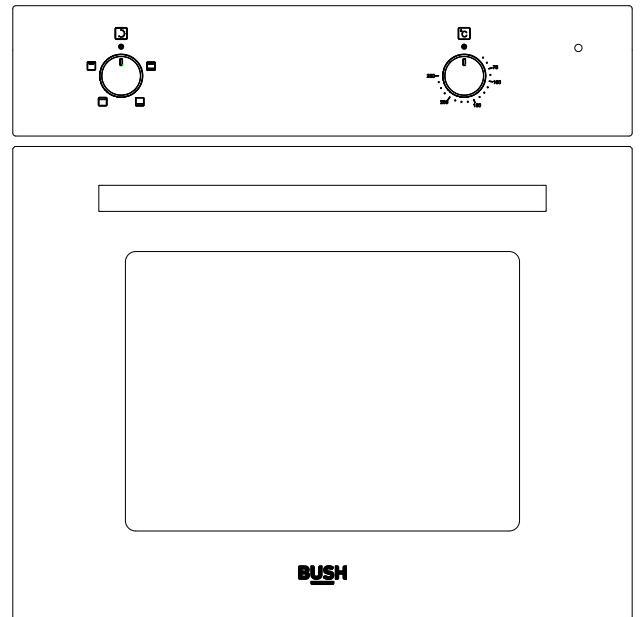
Important – Please read these instructions fully before installing or using

These instructions contain important information which will help you get the best from your appliance and ensure safe and correct installation, use and maintenance.

If you need help or have damaged or missing parts, call **Argos Product Support 01759 487838**

Contents

| | |
|---------------------------------|-------------|
| Safety Information | 2-3 |
| Parts | 4 |
| Installation | 5-6 |
| Electrical connection | 6 |
| User Instructions | 7-10 |
| Using the oven | 7-8 |
| Using the grill | 9 |
| Cleaning and Maintenance | 10 |
| Troubleshooting | 11 |
| Technical Specifications | 12 |
| Disposal information | 14 |
| Guarantee | 15 |



Place Registration
and warranty label, here





Safety Information

Argos Product Support 01759 487838

Important – Please read these instructions fully before installation

INSTALLATION WARNINGS

IMPORTANT: Carefully unpack and examine the appliance for any damage. If you think there is a defect, do not use the appliance and contact Argos Product Support on **01759 487838**. Packaging materials should be collected together and disposed of immediately as they may be harmful to children.

IMPORTANT: Keep the electrical cable (not supplied) of your cooker away from the hot areas of your cooker; do not let the cable touch the appliance. Keep the cable away from sharp edges and heated surfaces.

IMPORTANT: Ensure that the electric supply cable is not trapped or damaged during installation.

IMPORTANT: In the event that the cable connecting your cooker becomes damaged, it must be replaced by a suitably qualified person. **This cable must not be replaced by an unauthorised person.**

IMPORTANT: Protect your cooker against atmospheric effects. Do not expose your cooker to effects such as sun, rain, snow etc.

IMPORTANT: The materials surrounding the appliance (cabinets) must be able to withstand a minimum temperature of 100°C

IMPORTANT: When using your oven for the first time your oven may give off an unusual odour and smoking may be evident from the heating elements and insulation materials. This is normal for new cookers. To eliminate this odour run the oven at 250 degrees for 40-60 mins with the oven empty.

DURING USAGE

IMPORTANT: This appliance can be used by children aged from 8 years and above and persons with reduced physical, sensory or mental capabilities or lack of experience and knowledge if they have been given supervision or instruction concerning use of the appliance in a safe way and understand the hazards involved. Children shall not play with the appliance. Cleaning and user maintenance shall not be made by children without supervision.

WARNING: The appliance and its accessible parts become hot during use. Care should be taken to avoid touching hot parts.

WARNING: NEVER try to extinguish a cooking fire with water. Instead switch off the appliance and cover flame e.g. with a lid or a fire blanket.

WARNING: Do not use the appliance if you are under the influence of alcohol or drugs, or if you are tired or otherwise unable to concentrate. Do not use the appliance if you are ill or if you have taken medication that affects your concentration. Do not use the appliance if you are pregnant or breastfeeding.

WARNING: Do not use the appliance if you are using a gas supply that is not suitable for the appliance. Do not use the appliance if you are using a gas supply that is not suitable for the appliance. Do not use the appliance if you are using a gas supply that is not suitable for the appliance.

CAUTION: Do not allow children in the kitchen when cooking or while cooker parts may still be hot. Many parts of the cooker will become hot and present a considerable hazard to children.

CAUTION: When the oven is hot never touch the oven glass by hand or with tools.

CAUTION: Before starting to use your appliance, ensure curtains, paper or flammable items are kept away from your appliance. Do not keep flammable materials inside of or around your cooker.

CAUTION: Take care when closing the oven door that there is nothing obstructing it from closing as this may break the glass door.

IMPORTANT: When using the grill the oven door must be kept closed.



Important – Please read these instructions fully before installation

IMPORTANT: Make sure the cooker control knobs are all in the off position when not in use

IMPORTANT: If you do not intend to use your cooker for a long period of time turn off the electric supply to the cooker

CAUTION: Using gas cooking appliances results in the production of heat, moisture and the products of combustion. Ensure that the room where your cooker is installed is well ventilated particularly while the cooker is in use. Keep natural ventilation holes open or install a mechanical ventilation device (extractor hood) Prolonged intensive use of your cooker may call for additional ventilation (by opening a window) or by increasing the level of mechanical ventilation where present.

GENERAL SAFETY WARNINGS

IMPORTANT: This appliance has been designed for non-professional, domestic use only. Do not use this cooker for commercial use or any other application e.g. room heating

WARNING: Danger of fire: do not store flammable items on or near the cooking surfaces or inside the oven.

IMPORTANT: Do not try to lift or move this cooker by pulling on the door handle

WARNING: Ensure that the appliance is switched off before replacing the lamp to avoid the possibility of electric shock.

IMPORTANT: Your appliance is produced in accordance with all applicable local and international standards and regulations.

IMPORTANT: Maintenance and repair work must only be performed by authorized service technicians.

Installation and repair work that is carried out by unauthorised technicians is dangerous and could invalidate your guarantee

IMPORTANT: When the door of the oven is open, do not hang or lean anything on it. You may unbalance your appliance or damage the door or door hinges.

IMPORTANT: Do not hang towels, dishcloths or clothes from the cooker or its handles.

CLEANING AND MAINTENANCE

IMPORTANT: Always turn the appliance off before operations such as cleaning or maintenance. You can do this by switching the cooker off using cooker isolation switch.

IMPORTANT: Do not remove the control knobs to clean the control panel.

When you have finished cooking check that all controls are in the OFF position.
-Please check your electrical installation is earthed. This appliance must be installed by a qualified engineer.

- **This appliance must be fitted with a min 16 A Fuse.**

-Please ensure that plug of your oven is not accidentally pulled or stretched beyond the extent of the power cord. If this appliance is installed without proper earthing the manufacturer does not accept any responsibility for any damage caused. Commissioning of this appliance should only be attempted by an Authorised competent person. Connection of this appliance must be via a cable that is 3 x 2.5 mm²

- For isolation safety the length of the power cord must not exceed 2 meters.

- Connection diagram can be found on the rear of the appliance

- **Please reset the timer when in the event of a power failure. The oven will not operate until the timer is properly set.**

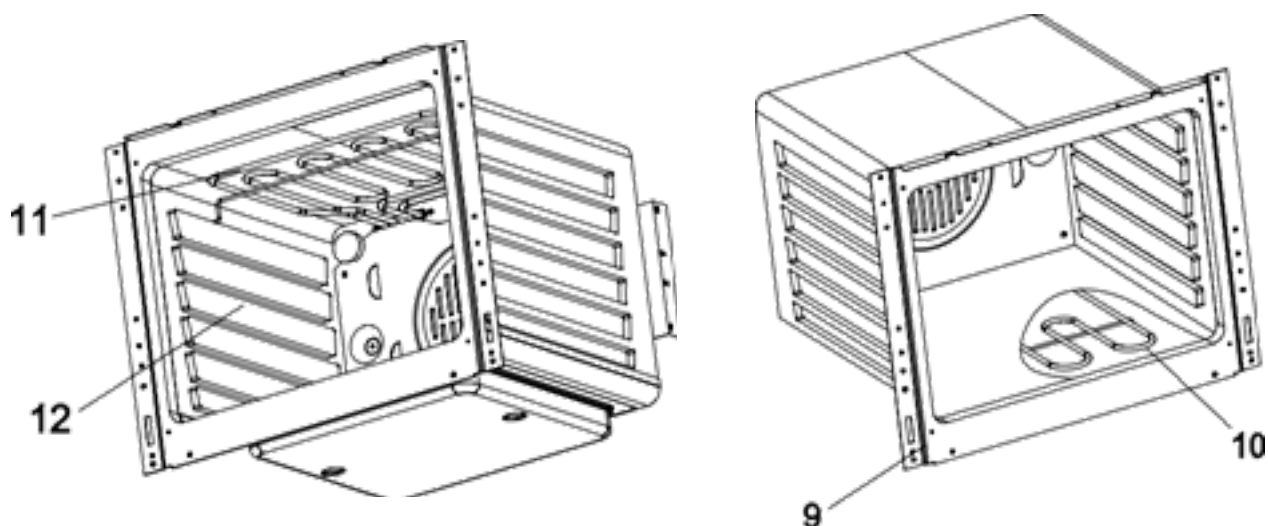
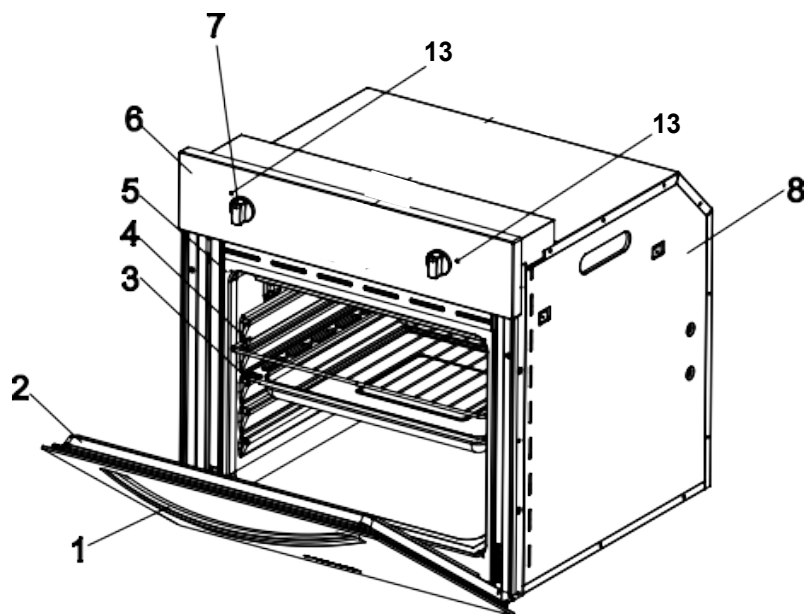
Parts

If you have damaged or missing parts,
call **Argos Product Support 01759 487838**

Please familiarise yourself with the parts and accessories listed below

SECTION 1 TECHNICAL FEATURES of OVEN

1. Oven Handle
2. Oven Glassdoor
3. Tray
4. Grid
5. Oven Gasket
6. Control Panel
7. Control Knob
8. Side Panel
9. Inner Body
10. Lower Element
11. Upper Element
12. Indicator Light
13. Signal Lamp

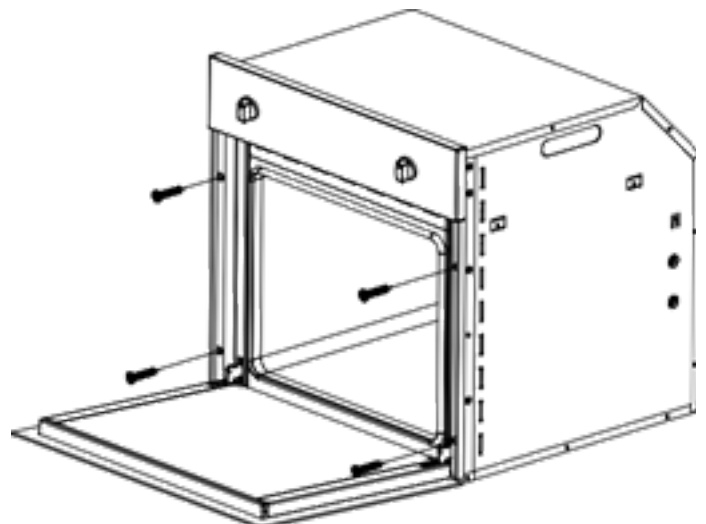
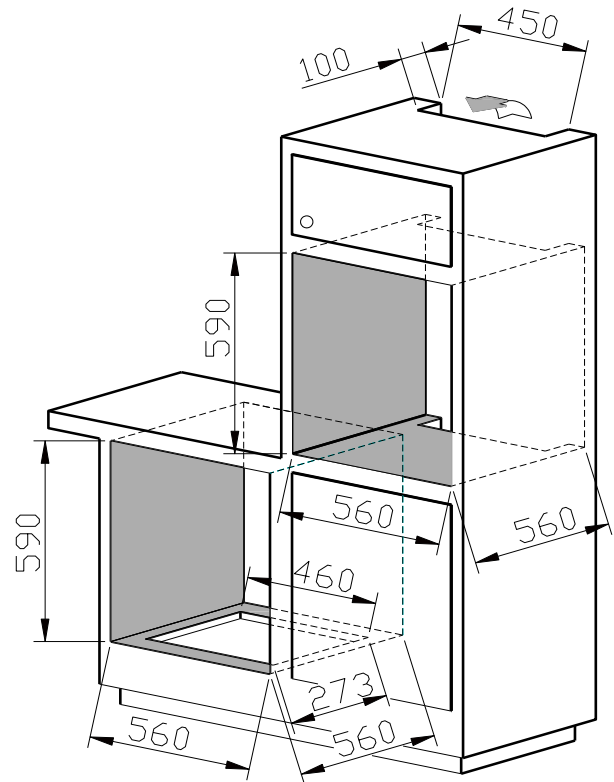


Installation gas

Positioning

The furniture close to the cooker must be manufactured resistant to temperatures up to 100°C

- Dimensions and materials of cabinet must be suitable and capable of withstanding heat radiation from oven.
 - Correct Installation - Cabinet should not come into contact with any of the ovens electrical parts.
- Isolation materials or parts that used for isolation must affix strongly to prevent taking out by any tool.
- It is not recommend you to install your appliance near refrigerator or freezer.
 - If a hob is installed with your oven, all electrical cables of cooker and oven must be seperate.
 - Install your appliance in a position that allows access to power cable.
 - Do not place power cable to close or in contact with hot surfaces. Do not attach the cable to the oven door.



Installation electrical

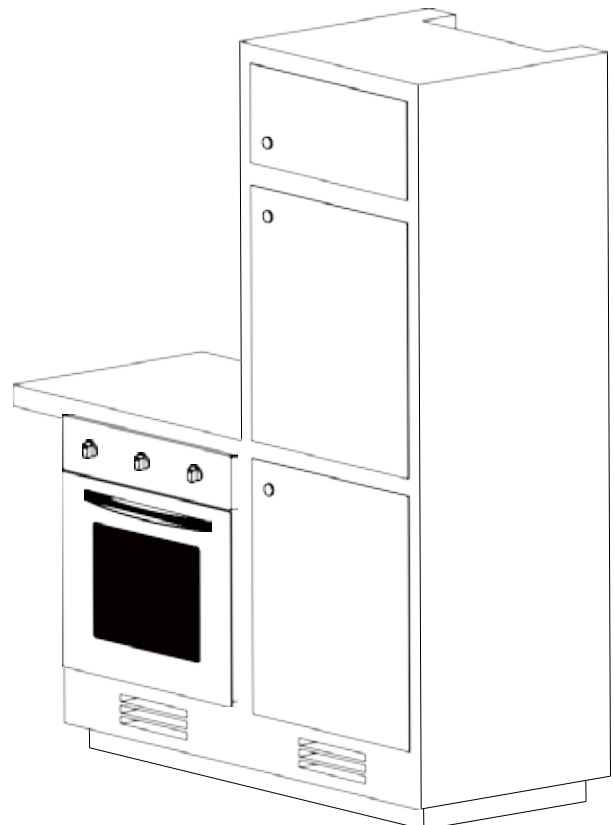
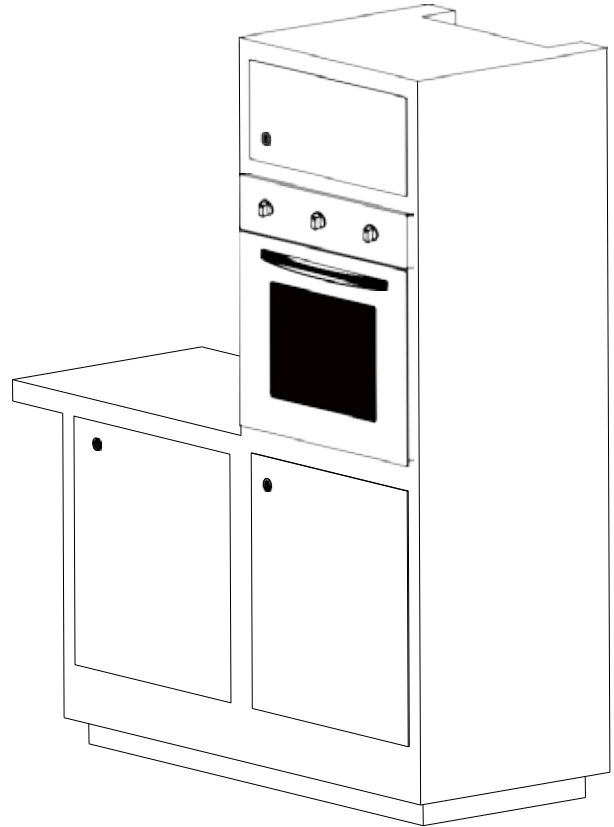


IMPORTANT:

Electrical connections must be carried out by a suitably qualified person and in accordance with all relevant local building and installation regulations.

1. See the rating label at the rear of the product for the appliance's load rating.
2. The cooker must be connected to a circuit suitably rated for the load of the appliance (see rating label at rear of appliance)
3. The electrical cable should not touch the hot parts of the appliance.

The electrical cable should not be routed through any area that may be affected by heat from the oven, especially the area directly behind the oven.



Using the oven

INTRODUCTION of CONTROL PANEL

Front panels and control knobs for Built-In Oven models are at Figure 7. The Knobs control power and setting of each heating element. Turn Knobs clockwise to activate oven and set at required cooking temperature. Turn Knob anti-clockwise to decrease cooking temperature and to deactivate oven.



Figure 7.

Functions

Thermostat Control

Thermostatic Control of Oven












The indicator lamp will switch on together with the thermostat. When the heat inside the oven reaches the set value, the thermostat cuts the circuit and the lamp will go off. When the heat falls below set value, the thermostat will switch on again and indicator lamp will be lit.

Usage of Oven

For initial operation of your oven, a smell arising from insulation materials and heating elements will be generated. To help avoid it, operate your oven at 250 C for 45 minutes without putting any trays in oven.

Using the oven

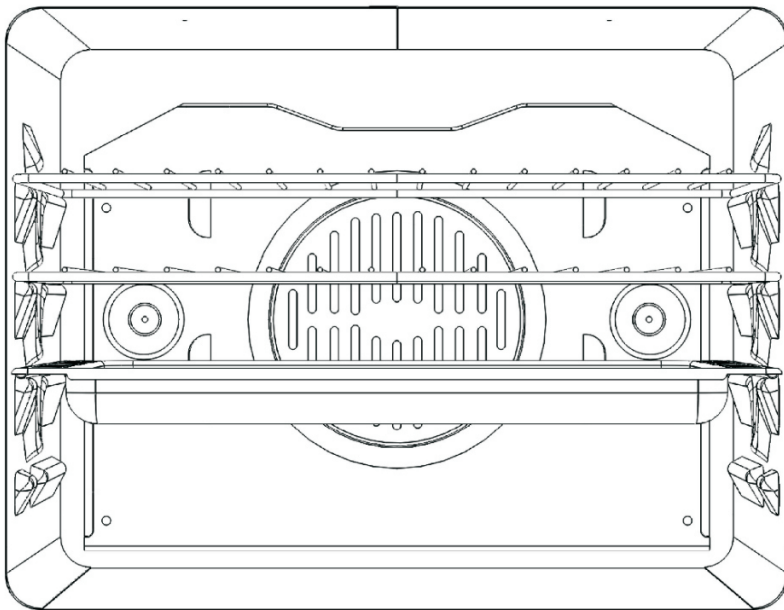
OVEN FUNCTIONS:

| LEVEL | FUNCTION | DESCRIPTION |
|---|---|--|
| 0 | Close | Oven is not working |
|  | Oven Lamp Double Grill | Outer Heating Element and Grill Heating Element works together. Recommends to use for big and powerfull grill. |
|  | Oven Lamp Grill Heating Element | Oven Lamp and Grill heater works. Recommend to use for frying. Thermostat must be at maximum position. |
|  | Oven Lamp Top&Bottom Heating Elements | Hot air comes from up and down heats the tray from both side. Top and bottom sides of meals cooked equally. |
|  | Oven Lamp Grill Heating Element Turbo Fan | Oven Lamp, Grill heater and Turbo Fan work together. Recommend to use for frying. Thermostat must be at maximum position. |
|  | Oven Lamp Double Grill Turbo Fan | Oven Lamp, Double Grill and Turbo Fan work together. Recommend to use for frying. Thermostat must be at maximum position. |
|  | Oven Lamp Turbo Heating Element Turbo Fan | Oven Lamp, Turbo Fan and Turbo Heating Element work. Recommend to use fast cooking. |
|  | Oven Lamp Turbo Heating Element Turbo Fan, Bottom Heating Element | Oven Lamp, turbo heating element, turbo fan and bottom heating element work together. Recommended to use for pizza. |
|  | Oven Lamp Turbo Fan | Only Oven Lamp and Turbo Fan work. Recommend to use for defrosting. |
|  | Bottom Heating Element | Bottom heating element, Recommended to use cake and bread. |
|  | Top Heating Element | Top Heating Element for keeping cooked food warm or gently reheating. |
|  | Oven Lamp Top&Bottom Heating Elements Turbo Fan | Hot air comes from up and down heats the tray from both side. Top and bottom sides of meals cooked equally with Turbo Fan. |

Using the oven

WARNING

To ensure the oven shelves operate safely, correct placement of the shelves A between the side rails B (positions 1, 2, 3, 4) is important. This will ensure that during careful removal of the shelf or tray C, hot food items should not slide out.



Using the grill

Grill Function of Oven - Closed Door Grilling

Turn the oven control knob to position



- We advise you to use trivet shelf placed into grill tray when you are grilling. This will help avoid spills and help keep your oven clean
- If you decide use grill wire on shelf rather than placing in tray, position a tray below to collect oils. For easy cleaning, put some water in tray.
- Preheat grill with door closed position for 5-10 minutes before use.
- Always pre-heat grill before use and **grill with door closed**

Cleaning

WARNING! Isolate the power supply to the cooker and make sure that the oven is cool.

Do not clean using caustic creams, abrasive cleaning powders, thick wire wool or hard tools. Enamelled parts of the oven can be damaged if excess cleaning liquids are not immediately removed.

After cleaning the interior parts of the oven with a soapy cloth, rinse it and then dry thoroughly with a soft cloth.

Clean the glass surfaces with special glass cleaning agents.

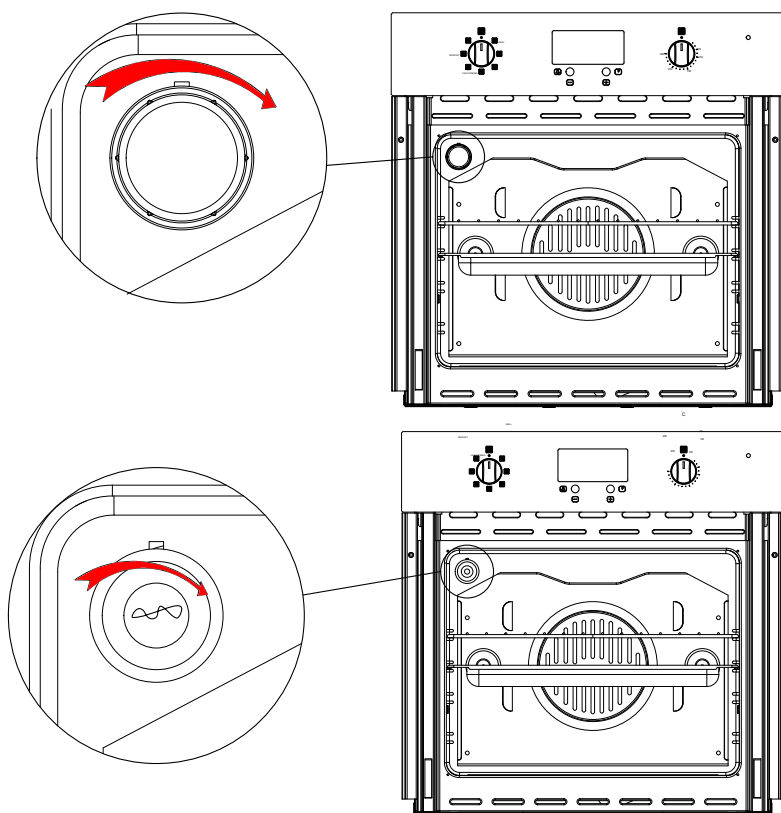
Never use flammable agents like acid, thinner or petrol when cleaning your oven.

Do not clean your oven with a steam cleaner.

Do not wash any part of your oven in a dishwasher.

Round lamp

Remove the cap by turning to the side shown, remove the lamp by turning with your hand. Turn the oven off from the electric supply and make sure that the oven is cool. Replace the old bulb with a new bulb resistant to 300°C (220-240 V, 25 Watt, Type E14). Replace the lamp protective glass. Your oven is now ready for use.



Enamelled Parts:

Enamelled parts must only be cleaned with warm soapy water and then dried with a cloth. Do not wash them while hot and never use abrasive powders or abrasive cleaning materials. Do not leave anything spilled onto enamelled parts for long periods of time.

Stainless Steel:

Stainless steel parts must be cleaned frequently with warm soapy water and a soft sponge and then dried with a soft cloth. Do not use abrasive powders or abrasive cleaning materials. Do not leave anything spilled onto stainless steel parts for long periods of time.

Remove the glass front door by unscrewing the fixings using a screwdriver, remove the inside glass, clean and rinse it. After drying it replace the seal properly and re-install the glass

If your cooker does not appear to function correctly

Please do the following controls before calling authorised service



If oven doesn't heat;

Oven's plug may not be fitted into an earthed socket; your fuse may be blown; timer may not be adjusted (if the model has a timer)



If oven doesn't operate;

Please check that the switch knob is adjusted to one of the functions of the oven for multi-function models



Please check that thermostat control knob is adjusted.

FUSE

Please check the fuse oven is connected, and the main fuse, to make sure it didn't blow.



If inner lamp doesn't function;

check if the electricity is on, bulb is not faulty, if it is change the bulb as per the instructions in the manual.



Upper and lower heaters don't cook evenly;

Check raw positions, thermostat positions and timing referring to the manual.



If the problem continues, please call the authorised service closest to you.

| MODEL | | BSOB |
|--|----------|-------------|
| COLOUR | | BLACK |
| ENERGY TYPE | | ELECTRIC |
| TIMER | | - |
| INNER CAVITY | | 1 |
| COOKING FUNCTION | | 4 FUNCTIONS |
| OVEN VOLUME | | 65 LITERS |
| OVEN POWER | | 2500 WATTS |
| GRILL POWER | | 2000 WATTS |
| TURBO RESISTANCE | | - |
| TURBO FAN | | NO |
| TOTAL POWER | | 2500 WATTS |
| THERMOSTAT | OVEN | 0-285 C |
| | SECURITY | 160 C |
| VOLTAGE | | 220-240 V |
| FREQUENCY | | 50-60 HZ |
| ENERGY CLASS | | A |
| ENERGY CONSUMPTION (CONVENTIONAL-KWH) | | 0,83 Kwh |
| ENERGY CONSUMPTION – FORCED AIR- KWH | | - |
| PRODUCT DIMENSIONS | | |
| OUTER WIDTH (MM) | | 594 |
| OUTER DEPTH (MM) | | 560 |
| OUTER HEIGHT (MM) | | 594 |

We apologise for any inconvenience caused by minor inconsistencies within these instructions that may occur due to product improvements and development

All images and drawing are for illustration purposes only.

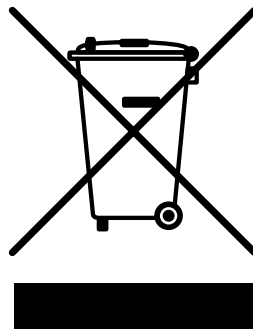


This appliance/fitting is marked according to the European directive 2012/19/EU on Waste Electrical and Electronic Equipment (WEEE). By ensuring this product is disposed of correctly, you will help prevent potential negative consequences for the environment and human health, which could otherwise be caused by inappropriate waste handling of this product.

The symbol on the product, or on the documents accompanying the product, the **crossed out wheellie bin** symbol, indicates that this appliance/fitting may not be treated as household waste. Instead it shall be handed over to the applicable collection point for the recycling of electrical and electronic equipment. Disposal must be carried out in accordance with local environmental regulations for waste disposal. For more detailed information about treatment, recovery and recycling of this product, please contact your local authority, your household waste disposal service or the retailer where you purchased the product.

We apologise for any inconvenience caused by minor inconsistencies within these instructions that may occur due to product improvements and development

All images and drawing are for illustration purposes only.



This appliance/fitting is marked according to the European directive 2002/96/EC on Waste Electrical and Electronic Equipment (WEEE). By ensuring this product is disposed of correctly, you will help prevent potential negative consequences for the environment and human health, which could otherwise be caused by inappropriate waste handling of this product.

The symbol on the product, or on the documents accompanying the product, the **crossed out wheeled bin** symbol, indicates that this appliance/fitting may not be treated as household waste. Instead it shall be handed over to the applicable collection point for the recycling of electrical and electronic equipment. Disposal must be carried out in accordance with local environmental regulations for waste disposal. For more detailed information about treatment, recovery and recycling of this product, please contact your local authority, your household waste disposal service or the retailer where you purchased the product.



Product Guarantee

This product is guaranteed against manufacturing defects for a period of



This product is guaranteed for 12 months from the date of original purchase. Any defect that arises during this period due to faulty materials or workmanship will either be repaired free of charge or replaced.

The guarantee is subject to the following provisions:

- The guarantee does not cover accidental damage, misuse, cabinet parts, knobs or consumable items.
- The product must be correctly installed and operated in accordance with the instructions contained in this manual.
- It must be used solely for domestic purpose.
- The guarantee will be rendered invalidated if the product is re-sold or has been damaged by inexpert repair.
- Specifications are subject to change without notice.
- The manufacturer disclaims any liability for the incidental or consequential damages.
- The guarantee is in addition to, and does not diminish your statutory or legal rights.
- In the event of a problem with the product with in the guarantee period call :-
Argos Product Support 01759 487838.

Guarantor: Argos Ltd
489 - 499 Avebury Boulevard
Central Milton Keynes
MK9 2NW