

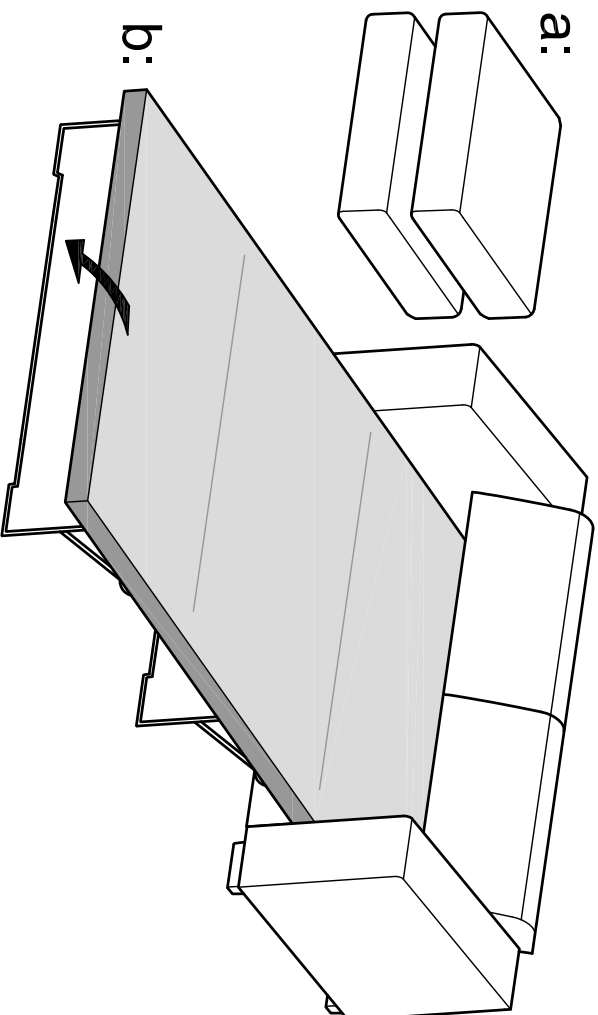
Assembly Instructions

Step 5

Sleeping function

a: Take the cushions off.

b: Take the handle and lift the sitting up and pull towards yourself.



Ava Sofa Bed

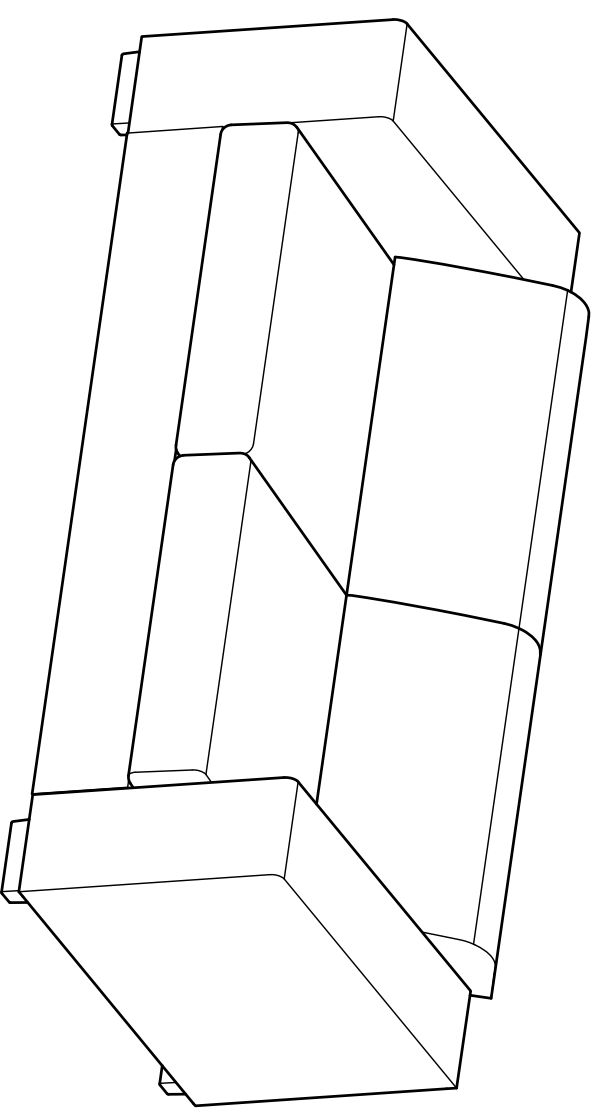
Assembly Instructions - Please keep for future reference

Cat.no 822 / 0796

Cat.no 822 / 0772

Cat.no 822 / 0806

Cat.no 822 / 0813



Dimension

Height - 71cm

Width - 168cm

Depth - 94cm

Important - Please read these instructions fully before starting assembly

If you need help or have damaged or missing parts, call the Customer Helpline:

Argos = 0345 601 2895



Safety and Care Advice

Important - Please read these instructions fully before starting assembly

- Check you have all the components and tools listed on pages 2.
- Remove all fittings from the plastic bags and separate them into their groups.
- Keep children and animals away from the work area, small parts could choke if swallowed.
- Make sure you have enough space to layout the parts before starting.
- Do not stand or put weight on the product, this could cause damage.
- Assemble the item as close to its final position (in the same room) as possible.
- Assemble on a soft level surface to avoid damaging the unit or your floor.
- Parts of the assembly will be easier with 2 people.
- We do not recommend the use of power drill/drivers for inserting bolts as this could damage the unit. Only use hand screwdrivers.
- Dispose of all packaging carefully and responsibly.
- Do not tighten all bolts until bed is fully assembled.



We do not recommend the use of power drill/drivers for inserting bolts as this could damage the unit. Only use hand screwdrivers.


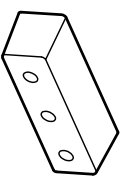
Care and maintenance

- Only clean using a damp cloth and mild detergent, do not use bleach or abrasive cleaners.
- From time to time check that there are no loose bolts on this unit.
- This product should not be discarded with household waste. Take to your local authority waste disposal centre.

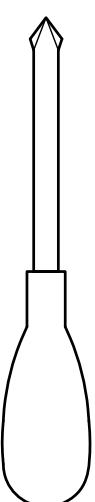
Components - Fittings

Please check you have all the fittings listed below

Note: the quantities below are the correct amount to complete the assembly. In some cases more fittings may be supplied than are required.

A		B	
	M6x50 mm Bolt x 12		Leg x 4

Tools required



Screwdriver (Not supplied)

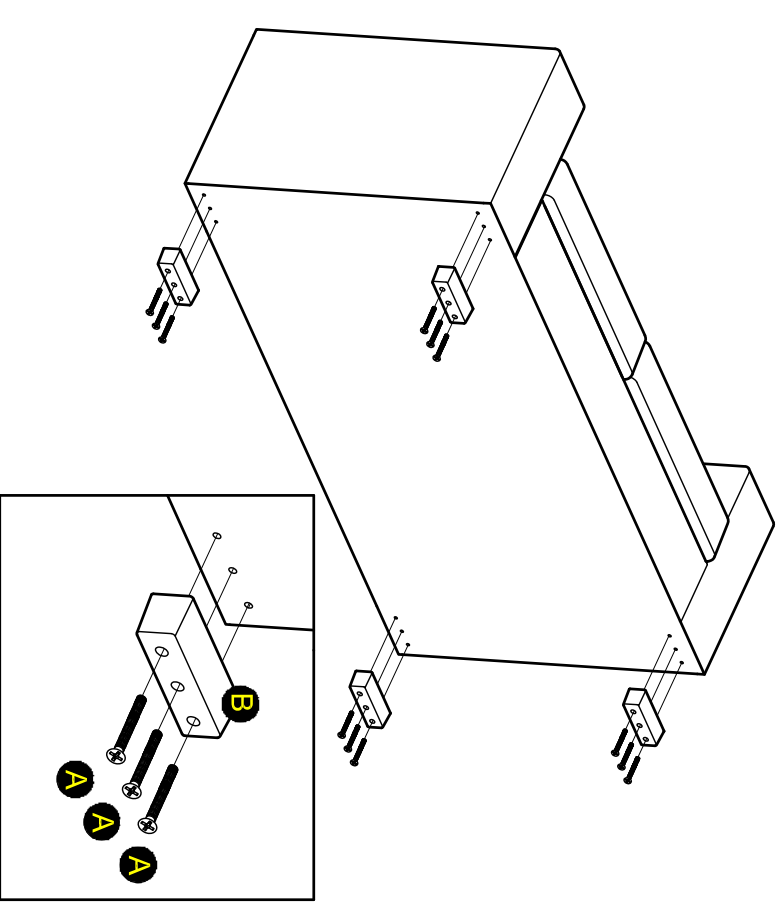
Assembly Instructions

Step 1

Attaching legs

Insert Bolts **A** through the holes of the Leg **B** into the frame.

Repeat operation for all legs.



Assembly is now complete.