

vax[®]
ONE
PWR
CORDLESS

vax
BLADE 3
CORDLESS VACUUM

USER GUIDE



CLSV-B3KS
CLSV-B3BS

This machine is intended for household use only and NOT for commercial or industrial use.

PLEASE KEEP INSTRUCTIONS FOR FURTHER USE AND USE ONLY AS INSTRUCTED IN THIS GUIDE.

DON'TS

- Don't leave the charger plugged in when unattended.
- Don't use the machine if it is faulty or has been dropped, damaged or left outdoors.
- Don't use the machine to pick up any flammable or combustible materials (lighter fluid, petrol, kerosene etc.) or use the machine in an area with explosive vapours or liquid.
- Don't use the machine to pick up hot coals, cigarette butts, matches or smoking hot burning items or use in an area where there may be harmful fluids (chlorine, bleach and ammonia drain cleaner).
- Don't handle the charger, battery or use the machine with wet hands.
- Don't unplug the charger by pulling on the power cord.
- The power cord cannot be replaced. If the cord is damaged the charger should be scrapped.
- Don't attempt to remove blockages with sharp objects as this may cause damage to the machine.
- Don't use the machine with the incorrect battery or charger as this may result in damage or injury to the user. The correct battery charger information is listed on the battery pack ratings label.

- Don't charge the battery outdoors, or leave the charger connected to the mains when not in use.
- Don't use the machine with a damaged battery. If the battery is damaged contact us on: **08000 927737**.
- Don't use on a surface that is damaged, uneven or incorrectly fitted.
- The brushbar in the powered floorhead constantly rotates when switched on. Never use the powered floorhead on one spot for an extended period of time as the brushbar may damage the floor surface.

DO'S

- Only VAX ONEPWR batteries (BV15020/BV15030/BV25040) and charger (BV05100UK) should be used with this machine.
- Always stand the charger on a stable, level surface, uncovered and away from any heat source.
- Only VAX ONEPWR recommended tools and accessories should be used with this machine.
- Always remove the battery from the machine before carrying out any maintenance or if storing unused for a long period of time.
- Keep all openings clear, free from debris and don't overfill the dirt container as this may affect the airflow/suction.
- Turn off all controls on the machine before disconnecting or connecting the battery.

- Only use the machine indoors on dry surfaces and keep the area you're cleaning well lit.
- This machine is not intended to be used or cleaned by persons with reduced physical, sensory or mental capabilities, or lack of experience or knowledge, unless they have been given instructions concerning the safe use of the machine by a person legally responsible for their safety. They should be supervised whilst using the machine. Children shall not use, clean or play with this machine, which when not in use should be secured out of their reach.
- Keep fingers, hair and loose clothing away from moving parts and openings whilst using the machine.
- Store the machine in a cool, dry area. Keep the machine away from rain and moisture.
- Use only CE approved 13amp extension cords, non-approved extension cords may overheat. Care should be taken to arrange the extension cord as it can be a trip hazard.
- Take extra care when using the machine on the stairs.
- Always turn the powered floorhead brushbar off when cleaning hard floors. To prevent any damage being sustained, test on an inconspicuous area of the flooring first.
- Always make sure the separator and filter are fitted correctly before using your machine and only use the machine with the filter and separator in place.
- Always check the powered floorhead and accessories are free from damage, dirt and debris before using.
- This machine does not stay upright without constant support. Between uses, lie flat on the floor in a suitable location so that it does not become a trip hazard or can be stepped on.

BATTERY SAFETY PRECAUTIONS

- Replace the battery with a VAX ONEPWR battery only. Use of another battery may present a risk of fire or explosion.
- Do not attempt to disassemble the battery, remove any component projecting from the battery terminals and do not dispose of in a fire. The battery and charger have no user serviceable parts. Fire or injury may result.
- Prior to disposal, protect exposed terminals with heavy insulating tape to prevent shorting. The battery is to be disposed of safely at your local battery recycling centre.
- When the battery pack is not in use, keep it away from other metal objects that can make a connection from one terminal to another. Shorting the battery terminals together may cause burns or a fire.
- In case of battery leakages, avoid any contact with skin and contact us on: **08000 927737**.

WARRANTY

If a VAX ONEPWR machine is used in the way it is intended and it breaks down within the guarantee period, it's our responsibility to repair or replace it. Here's what isn't covered:

- Normal wear and tear of consumable items, for example: belts, filters, brushbars, fuses etc.
- Batteries which have become faulty as a result of improper handling.
- Batteries which have a reduced service life as a result of normal wear.
- Accidental damage
 - Damage as a result of use not in accordance with the product user guide.
 - Damage caused by not carrying out regular maintenance.
 - Damage to the charger cable.
 - Blockages caused by misuse.
- Faults caused by:
 - Negligent use, misuse, neglect or careless operation of the machine.
 - Use of the machine cleaner which is not in accordance with the user guide.
 - Use of a VAX ONEPWR machine for anything other than normal domestic household purposes in the country in which it was purchased.
 - Use of parts, accessories and consumables, which are not genuine VAX components.
 - Faulty installation or repairs – unless carried out by a qualified electrician or engineer.

TECHNICAL

EU Statement of Compliance: Manufacturer/EU importer: VAX Limited, hereby on our own responsibility, declare that the VAX ONEPWR Blade 3 is manufactured in compliance with the following Directives:

Safety: 2014/35/EU Low Voltage Directive.

EMC: 2014/30/EU Electromagnetic Compatibility Directive.

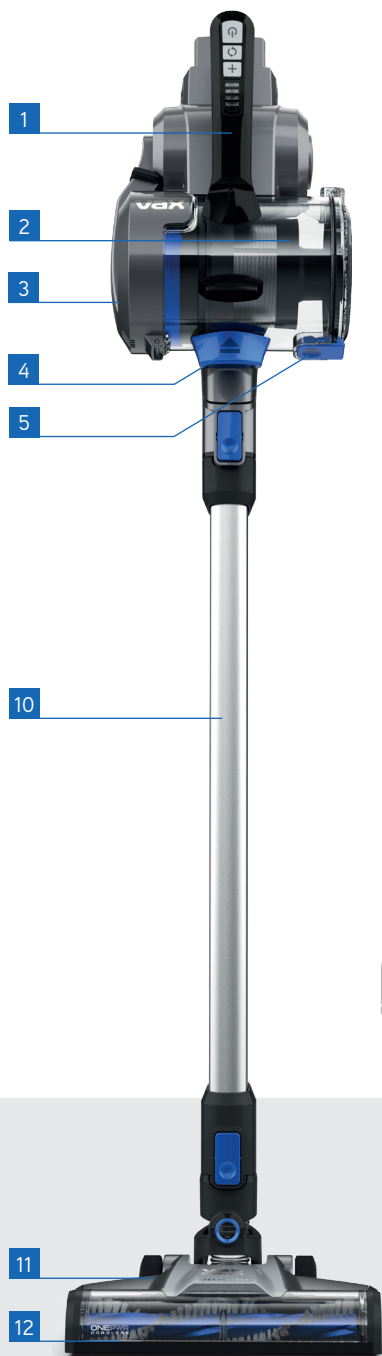


Waste electrical products should not be disposed of with household waste. Please recycle where facilities exist. Check with your Local Authority or retailer for recycling advice.

VAX is a trade mark of Techtronic Cordless GP.

© 2020 Techtronic Cordless GP. All rights reserved.

VAX Ltd, Artillery House, Heritage Way, Droitwich, WR9 8YB, UK.



- 1 Carry handle
- 2 Dirt container
- 3 Filter cover and filter
- 4 Dirt container release latch
- 5 Dirt release button
- 6 Power ON/OFF
- 7 Brushbar ON/OFF
- 8 Boost ON/OFF
- 9 Battery level indicator light
- 10 Reach wand
- 11 Powered floorhead
- 12 Brushbar
- 13 Battery dock
- 14 Filter cover release tab (hidden)
- 15 ONEPWR Battery*
- 16 ONEPWR Charger*
- 17 Crevice tool
- 18 Dusting brush
- 19 Crevice tool storage caddy
- 20 Wall mount screws and wall plugs



17



18



15



16



19



20

TECHNICAL SPECIFICATION

VAX ONEPWR Blade 3

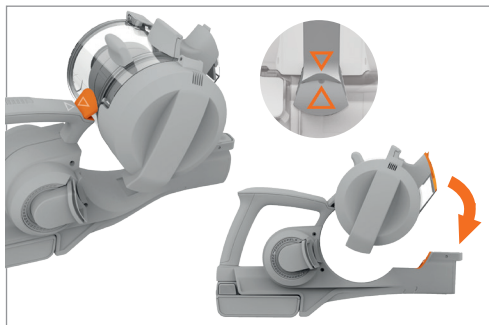
Weight (without battery pack)	2.9kg
Dirt bin capacity	0.6L

Runtime and charge time dependent on battery pack and power mode used.

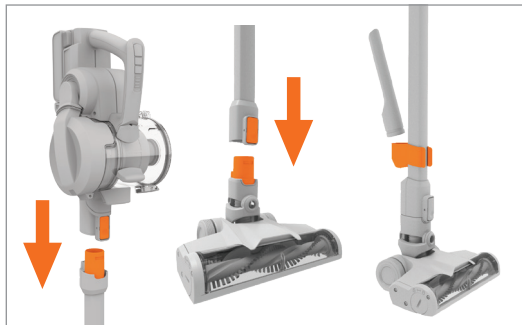
*Included with model CLSV-B3KS only.

Subject to technical change without notice. Images are illustrative only.

ASSEMBLY



To assemble the dirt container, line up the arrow on the dirt container connection with the arrow on the handle. Push the dirt container onto the handle until it clicks into place.



Attach the handheld to the reach wand until it clicks into place. Attach the reach wand to the powered floorhead until it clicks into place. Push the tool caddy onto the reach wand and slot the crevice tool into place.

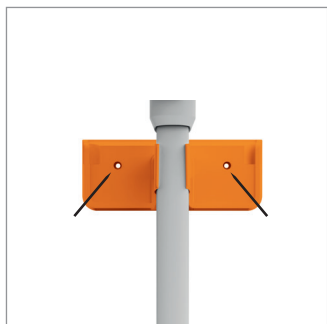
ATTACHING THE WALL MOUNT



Without the handheld attached to the reach wand and powered floorhead, push the wall bracket onto the top and back of the reach wand.



Choose a location for the machine to be stored, preferably near to a mains supply although not directly above or below a mains socket. Stand the machine powered floorhead and wand against the wall, ensuring the powered floorhead is flat on the floor.



Holding the wall bracket securely against the wall, make a small mark for each screw. Secure the wall bracket to the wall using the wall plugs and screws.



The dusting brush can be fitted onto the wall bracket.

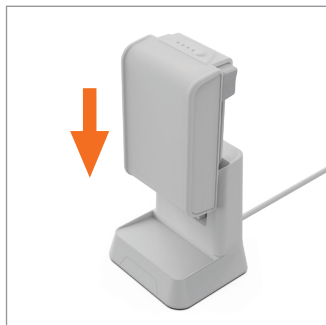


Fully assemble the machine and firmly press the machine into the wall bracket to secure. Always ensure the machine is securely locked into place.

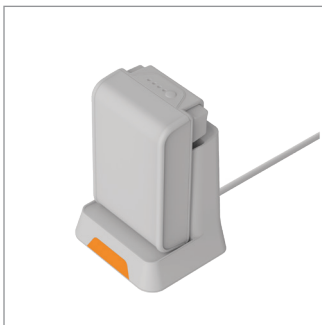
CHARGING THE BATTERY

THIS MACHINE IS ONLY TO BE USED WITH VAX ONEPWR BATTERIES AND CHARGER. PLEASE READ THE SAFETY GUIDE BEFORE USE.

NOTE: Before first use, ensure the battery is fully charged. Failure to fully charge the battery before first use may result in poor battery performance. The life expectancy of the battery will vary depending on the usage of the machine.



Slide the battery down on to the charger.



The charger light will flash white to show when the battery is charging. The light on the charger will stop flashing and go off when the battery is fully charged.



Once fully charged, slide the battery off the charger to remove.



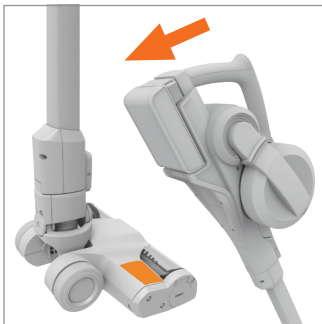
To check the battery charge level press the battery symbol.

OPERATION

WARNING: The brushbar in the powered floorhead constantly rotates when switched on. Never use the powered floorhead on one spot for an extended period of time as the brushbar may damage the floor surface. Always turn the powered floorhead brushbar off when cleaning hard floors. To prevent any damage being sustained, test on an inconspicuous area of the flooring first.



Slide the battery into the handheld until it clicks into place.



Place your foot on the powered floorhead. Pull the handle backwards to recline.



To remove the battery press both the buttons to release.

OPERATION



Press the on/off button to switch the machine on.



Press the brushbar on/off button to switch the brushbar on.

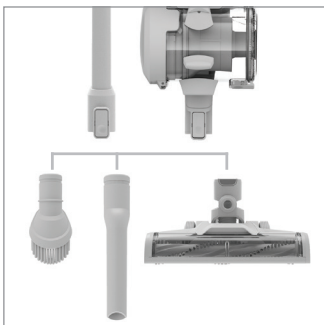


Press the boost button on to increase the suction for particularly dirty areas.

NOTE: The powered floorhead brushbar should be ON for carpets and OFF for hard floors. Constant use of the boost mode and brushbar will reduce the battery runtime.



When the machine is in use the battery level indicator lights will illuminate indicating how much charge is remaining. When less than 20% charge is remaining the bottom light will flash red indicating the battery is running low and charging is required.



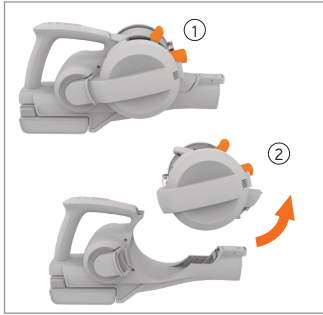
All of the accessories, including the powered floorhead can be attached directly onto the handheld or the reach wand. The crevice tool and dusting brush can be used for hard to reach places and at different heights for above floor cleaning.

CAUTION: If the brushbar in the powered floorhead has been obstructed, the brushbar motor protection sensor may have been activated. The brushbar will stop, the light on the powered floorhead will illuminate red and the machine may switch off. To reset remove the powered floorhead from the reach wand/handheld and clear any obstruction. Wait 1 minute before refitting the powered floorhead tool, switch the machine on and press the brushbar ON/OFF button.

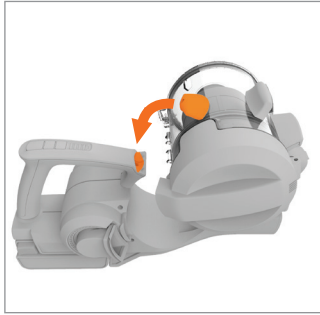


REMOVING AND REFITTING THE DIRT CONTAINER

WARNING: Always remove the battery before carrying out any maintenance or troubleshooting.



1. Squeeze the latch on the dirt container to release.
2. Tilt and lift to remove from the handheld.



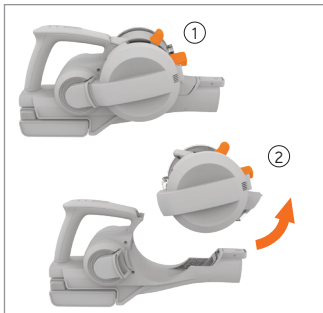
To refit, line up the dirt container connection with the handheld handle. Push the dirt container back onto the handle until it clicks into place.



When correctly fitted all 3 connection points will be aligned and will sit flush.

EMPTYING THE DIRT CONTAINER

CAUTION: Don't over fill the dirt container to avoid blocking the air flow through the machine. For best cleaning results, empty the dirt container after every use. Filters should be tapped over a bin every 4-6 uses to remove dirt and debris and washed every 3 months. Filters should be replaced every 6-9 months depending on the level of use.



1. Squeeze the latch on the dirt container to release.
2. Tilt and lift to remove from the handheld.



Hold the dirt container over a bin and press the dirt release button to allow dirt and debris to fall out.



To close, push the dirt release door until it clicks into place.

CLEANING THE FILTER AND SEPARATOR



Push the tab on the lid of the dirt container and lift the cover to access the filter.



Lift the filter and separator from the dirt container.



Tap the separator over a bin to remove dirt and debris and wipe over the metal shroud with a dry cloth.



Pull the tab on the filter to remove from the separator.



Tap the filter against the bin to remove any dirt and debris.



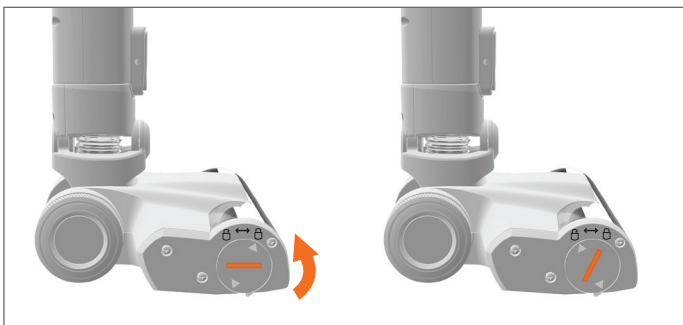
Wash the filter under running water (40°C max). Leave for at least 24hrs or until fully dry before replacing.

CAUTION: Ensure both the filter and separator are refitted before use.

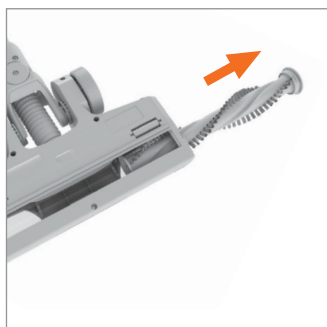
CLEANING AND REPLACING THE POWERED FLOORHEAD BRUSHBAR



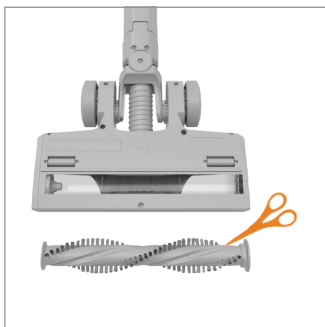
Press the floorhead release button to remove the floorhead from the machine.



Using a coin, push and turn the brushbar lock anticlockwise to release the brushbar.



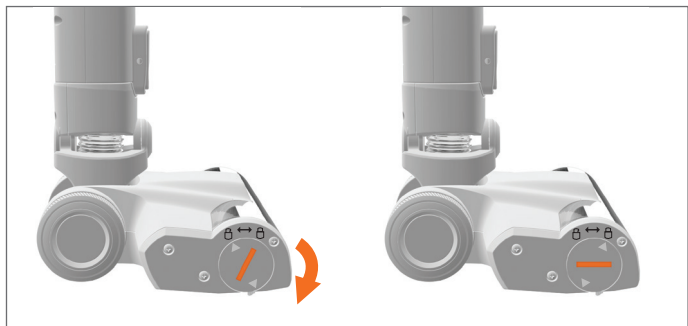
Pull the brushbar out from the brushbar housing.



To remove any threads or hair, slide the blade of a pair of scissors into the groove on the brushbar and cut along the groove.



Clear any dirt/debris from the end caps and inside the housing of the powered floorhead.



Refit the brushbar into the floorhead. Align the arrow on the brushbar cover so it points north, firmly push and twist clockwise to lock.

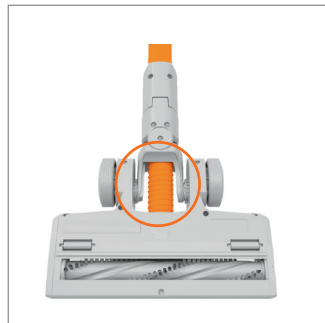
CHECKING FOR BLOCKAGES



Press the handheld release button and remove the reach wand. Check and clear any dirt and debris from the handheld connection point.



Press the dirt container release button and remove the dirt container. Check and clear any dirt and debris from behind the dirt container flap.



Check the powered floorhead for any blockages and use a blunt object to remove the blockage.



To test for a blockage in the reach wand, drop a small ball of paper into the wand. The paper will drop through if the wand is clear. Use a broom handle or similar blunt object to remove any blockage.

THERE IS AN ACCESSORY MISSING

Check the contents on the back of the box.

WHY DOES THE MACHINE HAVE NO POWER?

- The battery is not fitted correctly. See OPERATION page 7.
- The battery has no charge. See CHARGING THE BATTERY page 7.
- The motor thermostat may have tripped. Empty the dirt container and check for blockages. Clean the filters and allow the machine to cool for approximately 1 hour. If you have washed the filters, wait 24 hours to fully dry before placing back on the machine. See CLEANING THE FILTER AND SEPARATOR page 10.
- The brushbar motor sensor has been activated. To reset remove the powered floorhead from the reach wand/handheld and clear any obstruction. Wait 1 minute before refitting the powered floorhead, switch the machine on and press the brushbar ON/OFF button. See OPERATION page 8.

WHY WON'T THE MACHINE PICK UP?

- The dirt container may not be correctly fitted. See REMOVING AND REFITTING THE DIRT CONTAINER page 9.
- The dirt container may be blocked. Check the dirt container and handheld inlet for blockages. See EMPTYING THE DIRT CONTAINER page 9.
- The filters may be clogged. See CLEANING THE FILTER AND SEPARATOR page 10.
- There maybe a blockage. See CHECKING FOR BLOCKAGES page 12.
- The brushbar on the powered floorhead has not been activated. See OPERATION page 8.
- The powered floorhead may be blocked. See CLEANING AND REPLACING THE POWERED HEAD BRUSHBAR page 11.
- The machine, powered floorhead and reach wand may not be correctly fitted. See ASSEMBLY page 6.

WHY IS THERE A RED LIGHT?

- Battery charge is running low (<20%). See CHARGING THE BATTERY page 8.

WHY IS THERE A RED LIGHT ON THE POWERED FLOORHEAD?

- The powered floorhead brushbar has been obstructed. See CLEANING AND REPLACING THE POWERED FLOORHEAD BRUSHBAR page 11.

WHY WON'T THE BRUSHBAR TURN?

- The brushbar on the powered floorhead has not been activated. Go to OPERATION page 8.
- The tool/brushbar may be obstructed. See CLEANING AND REPLACING THE POWERED HEAD BRUSHBAR page 11.
- The machine, powered floorhead and reach wand may not be correctly fitted. See ASSEMBLY page 6.