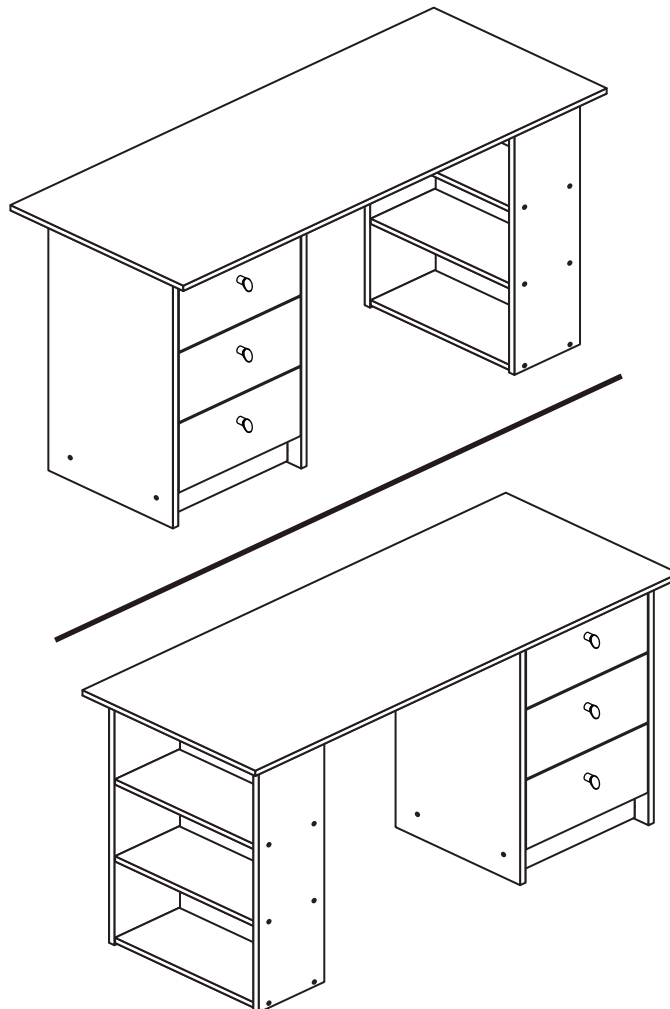


Desk

Assembly Instructions - Important: Retain these instructions for future reference

H O
M E
BY ARGOS



WARNING!
NOT SUITABLE
FOR CHILDREN
UNDER 6
YEARS OF AGE

280/0332

247/7167

238/3615

246/5818

268/6965

478/9444

565/7135

275/6297

274/6616

462/7290

246/4950

501/2127

278/6652

497/1757

247/3848

462/7434

459/4581

820/1100

WARNING!

In order to prevent overturning, this product must be used with the 2 wall attachment devices provided

Dimensions

Width - 120cm

Depth - 49cm

Height - 72cm

More help is available throughout this booklet by scanning in the QR codes or typing in the links



**MADE IN
BRITAIN**

Important - Please read these instructions fully before starting assembly

If you need help or have damaged or missing parts, please visit www.argos-support.co.uk or email: Help@ClickSpares.co.uk (quoting your original order number)

Alternatively, call the Spares Helpline on: 0370 112 1928.

For any other queries please contact the Customer Helpline on: 0345 640 2020



Safety and Care Advice

Important - Please read these instructions fully before starting assembly

- **Warning:** This unit weighs approximately 24kgs. Please lift with care.
- Assembly to be carried out by a competent adult only.
- Check you have all the components and tools listed on pages 2 and 3.
- Remove all fittings from the plastic bags and separate them into their groups.
- During assembly children should be kept away from the product due to possible risk of injury.
- Installation shall only be carried out exactly according to the manufacturer's instructions - otherwise a safety risk can occur if incorrectly installed.

- Parts of the assembly will be easier with 2 people.
- Make sure you have enough space to layout the parts before starting.
- Do not stand or put weight on the product, this could cause damage.
- Assemble the item as close to its final position (in the same room) as possible.
- Assemble on a soft level surface to avoid damaging the unit or your floor (use opened out unit carton).



• We do not recommend the use of power drill/drivers **for inserting screws**, as this could damage the unit. Only use hand screwdrivers.

- **WARNING:** To prevent possible overbalancing this unit **must be secured** to a wall using the 2 overbalance protector kits supplied.
- Dispose of all packaging carefully and responsibly.
- Do not use this item if any components are missing or damaged.

Care and maintenance

- Only clean using a damp cloth and mild detergent, do not use bleach or abrasive cleaners.
- Regularly check all fastenings to ensure that they are properly tightened.
- This product should not be discarded with household waste. Take to your local authority waste disposal centre.

When applicable, remove any protective film from the panels before they are used

Note: If required the next page can be cut out and used as reference throughout the assembly. Keep this page with these instructions for future reference.

Components - Panels

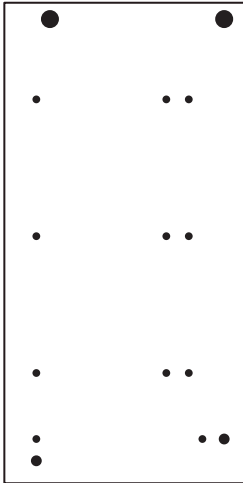
If you need help or have damaged or missing parts, please visit www.argos-support.co.uk or email: Help@ClickSpares.co.uk (quoting your original order number)

Alternatively, call the Spares Helpline on: 0370 112 1928.

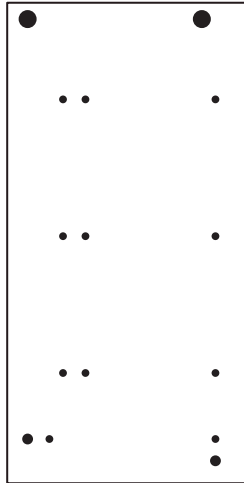
For any other queries please contact the Customer Helpline on: 0345 640 2020

Please check you have all the panels listed below

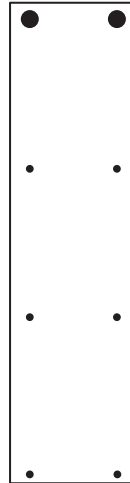
When applicable, remove any protective film before use



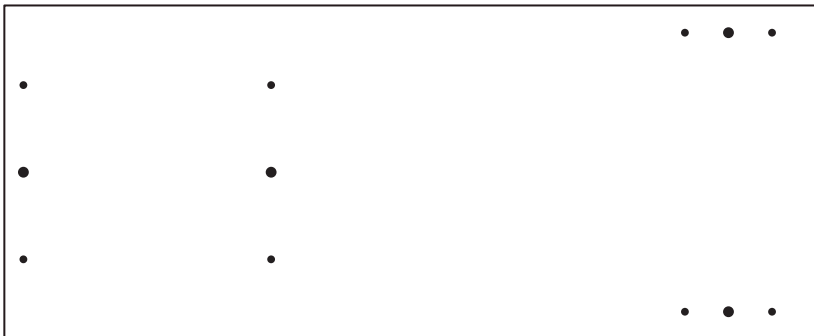
1 Left Side (D2785D)
(70.6 x 35.3cm)



2 Right Side (D2786D)
(70.6 x 35.3cm)



3 Bookcase End (D2787D)
(70.6 x 18.6cm) x 2



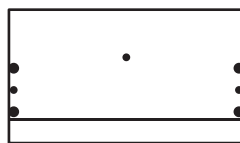
4 Top (D2784D)
(120 x 49cm)



5 Shelf (D2788D)
(39.4 x 18.2cm) x 3



6 Plinth (D2789D)
(34.9 x 9.2cm)



8 Drawer Front (D2791E)
(34.5 x 19.6cm) x 3



9 Left Drawer Side (W320-124LH)
(32 x 12.4cm) x 3



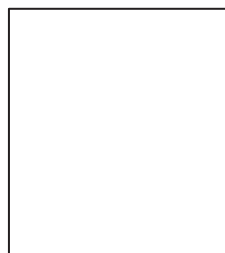
7 Rail (D2790D)
(34.9 x 8cm)



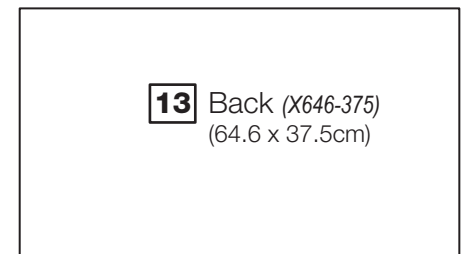
10 Right Drawer Side (W320-124RH)
(32 x 12.4cm) x 3



11 Drawer Back (W317-124)
(31.7 x 12.4cm) x 3



12 Drawer Base (T328-317)
(32.8 x 31.7cm) x 3



13 Back (X646-375)
(64.6 x 37.5cm)



Components - Fittings


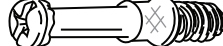
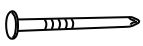





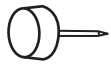


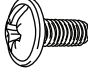


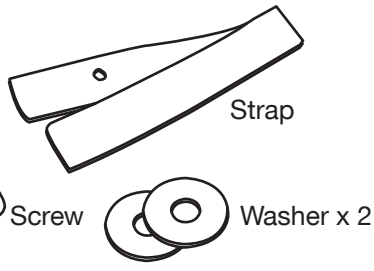






If you need help or have damaged or missing parts, please visit www.argos-support.co.uk or email: Help@ClickSpares.co.uk (quoting your original order number)

Alternatively, call the Spares Helpline on: 0370 112 1928.

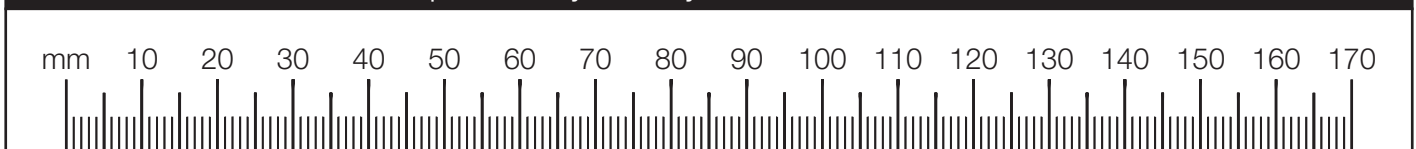
For any other queries please contact the Customer Helpline on: 0345 640 2020

Please check you have all the fittings listed below

Note: The quantities below are the correct amount to complete the assembly. In some cases more fittings may be supplied than are required.

<p>A </p> <p>Wooden dowel (F22) x 8</p>	<p>B </p> <p>Metal dowel (F901) x 14</p>	<p>C </p> <p>Nail (F51) x 11</p>
<p>D </p> <p>Handle (F631) x 3</p>	<p>E </p> <p>Large locking cam nut (F900) x 8</p>	<p>F </p> <p>Small locking cam nut (F3) x 6</p>
<p>G </p> <p>40mm Screw (F910) x 16</p>	<p>H </p> <p>25mm Screw (F50) x 3</p>	<p>I </p> <p>Plastic Nail (F91) x 8</p>
<p>J </p> <p>Drawer runner (F1004) x 6</p>		<p>K </p> <p>9mm Screw (F73) x 12</p>
<p>L </p> <p>9mm Screw (F74) x 6</p>	<p>M </p> <p>Wedgefix (F639) x 6</p>	<p>N </p> <p>Knock-in Peg (F171GY) x 12</p>
<p>O </p> <p>Overbalance protector kit (F269) x 2</p>	<p>Tools required</p> <div style="display: flex; justify-content: space-around; align-items: flex-start;"> <div style="text-align: center;">  Rule </div> <div style="text-align: center;">  Scissors </div> <div style="text-align: center;">  Cross-head screwdriver </div> <div style="text-align: center;">  Hammer </div> <div style="text-align: center;">  Eye protection (when using a hammer or drill) </div> <div style="text-align: center;">  Electric drill (do not use for fitting screws) </div> </div>	

Ruler - Use this ruler to help correctly identify the screws



Assembly Instructions

Step 1



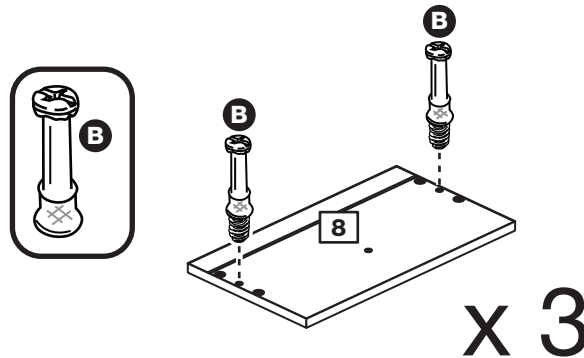
Drawer Assembly

www.youtube.com/watch?v=InNBV_uuMmo

Prepare the 3 drawer fronts

Screw 2 metal dowels **B** into each of the drawer fronts **8**.

Note: Tighten the metal dowels up fully against the panels.

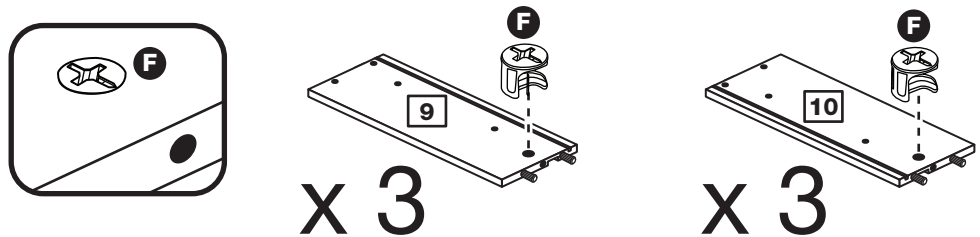


Step 2

Prepare the drawer sides

Insert a small locking cam nut **F** into the hole shown on the left drawer side **9** and the right drawer side **10**.

Note: The arrow on the locking cam nut **must** point towards the hole in the edge of the panel.



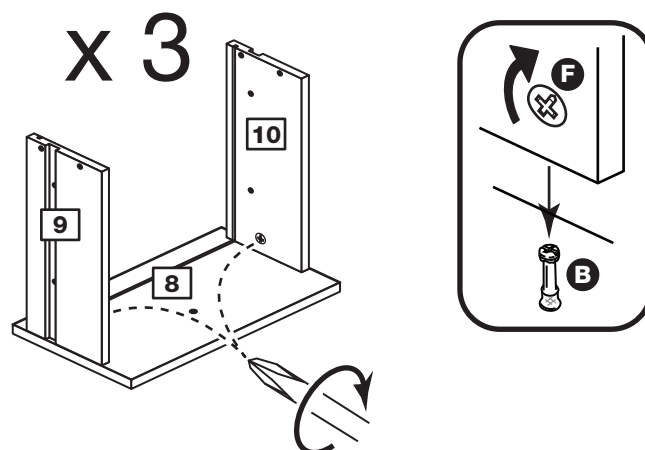
Step 3

Attach the drawer sides to the drawer fronts

Push the left drawer sides **9** and right drawer sides **10** onto the back of the drawer fronts **8**.

Turn the small locking cam nuts **F** on the left drawer side **9** and right drawer side **10**.

Note: Turn the locking cam nuts **F** clockwise to secure panels - more than 1/2 a turn.

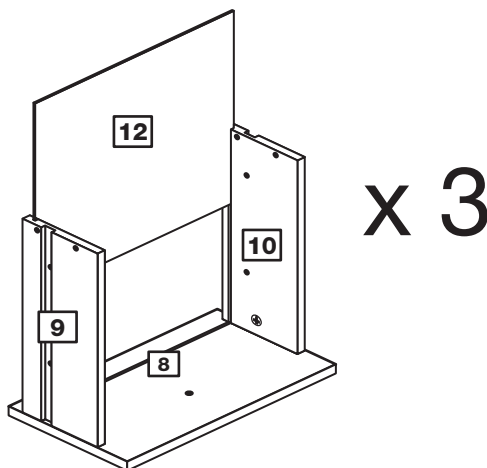


Assembly Instructions

Step 4

Fit the drawer base

Slide the drawer base **12** down the grooves in the drawer sides **9** and **10** and down into the groove in the drawer front **8**.

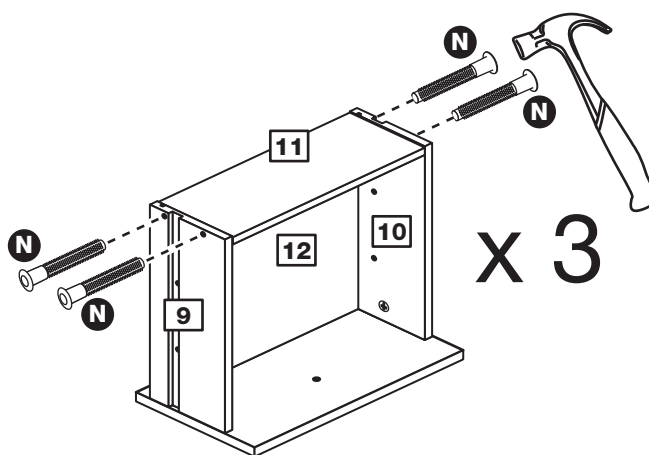


Step 5

Fit the drawer back

Fit the drawer back **11** between the drawer sides **9** and **10**. Make sure that the drawer base **12** fits into the groove in the drawer back **11**.

Hold the drawer back **11** in position and tap the knock-in pegs **N** through the holes in the drawer sides **9** and **10**.

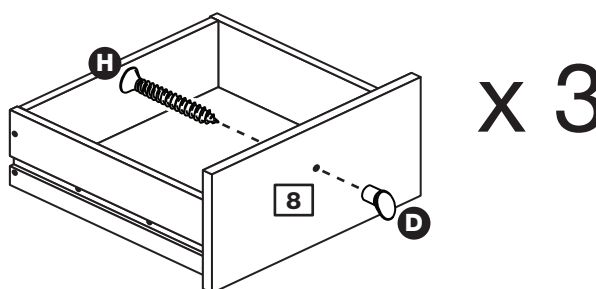


Step 6

Attach the handles

Attach a handle **D** to each of the drawer fronts **8** using screw **H**.

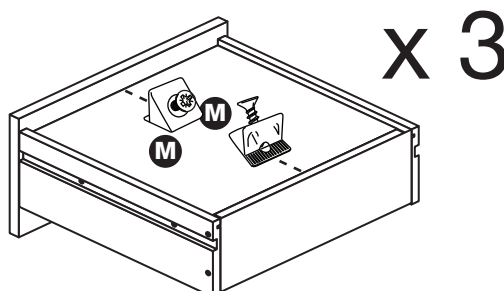
Note: Do not overtighten the screw.



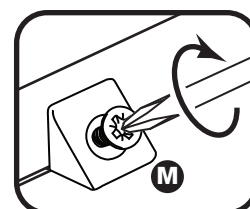
Step 7

Fit the wedgifixes

Turn the drawer assemblies over and slide 2 wedgifixes **M** into the front and back grooves, as shown, and tighten up the screws.



Important: Make sure that the drawer assembly is square before fitting the wedgifixes.



Assembly Instructions

Step 8



Fitting Ball Bearing Runners

www.youtube.com/watch?v=yG4xtiJJeSg

Prepare the left side

a: Place 3 runners **J** on the left side **1** as shown. Slide back the top of runner and use the 2nd hole from the front to fit the 1st screw **K**.

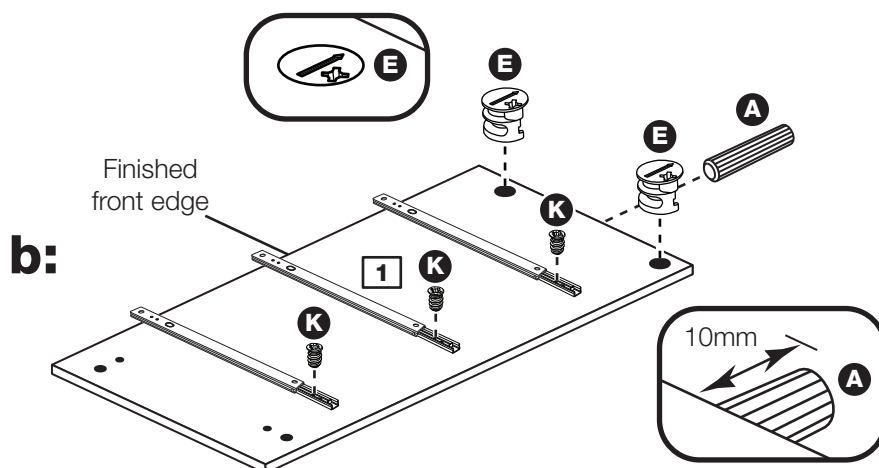
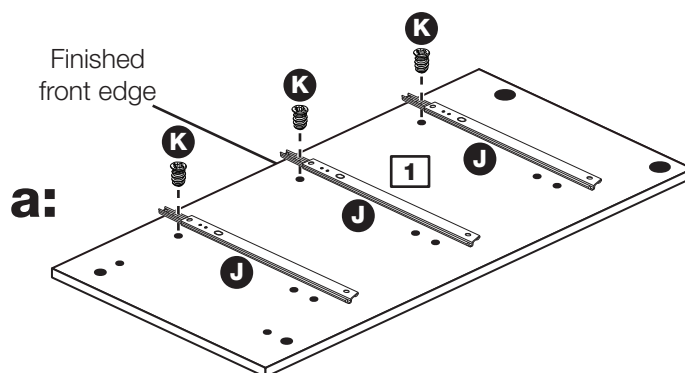
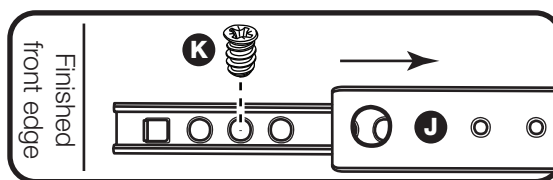
b: Slide the runner **J** back the other way and fit the 2nd screw **K** into the corresponding hole in the left side **1**.

Insert 2 large locking cam nuts **E** into the left side **1**.

Note: The arrow on the locking cam nuts **must** point towards the hole in the edge of the panel.

Tap a wooden dowel **A** into the left side **1**.

Note: Wooden dowels **must not** stick out from the edge by more than 10mm or they may damage other panels.



Assembly Instructions

Step 9

Prepare the right side

a: Place 3 runners **J** on the right side **2** as shown. Slide back the top of runner and use the 2nd hole from the front to fit the 1st screw **K**.

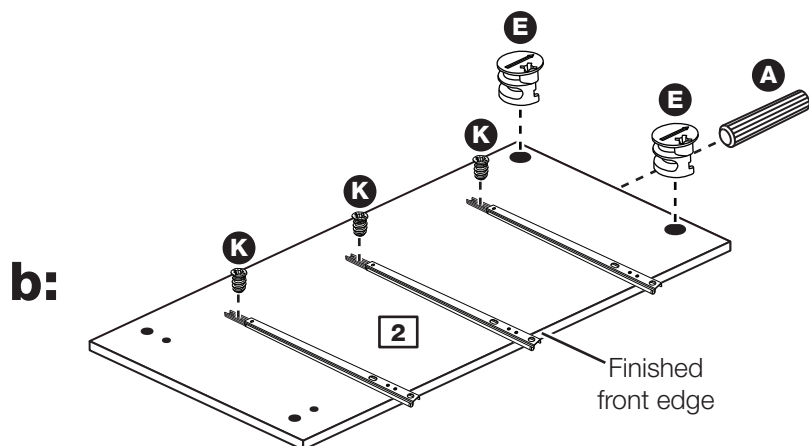
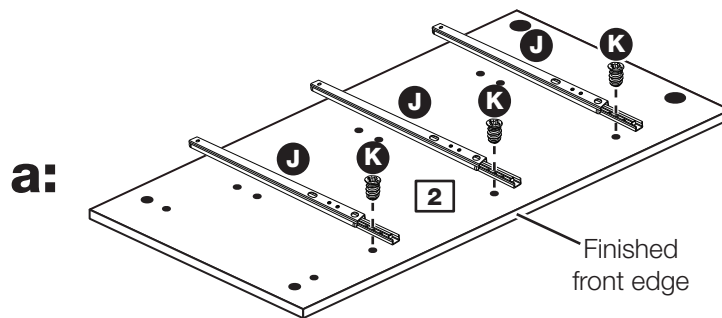
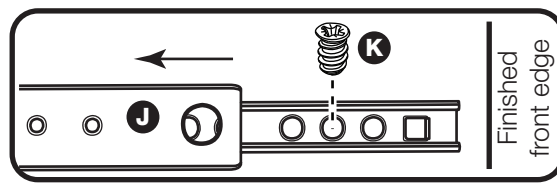
b: Slide the runner **J** back the other way and fit the 2nd screw **K** into the corresponding hole in the right side **2**.

Insert 2 large locking cam nuts **E** into the right side **2**.

Note: The arrow on the locking cam nuts **must** point towards the hole in the edge of the panel.

Tap a wooden dowel **A** into the right side **2**.

Note: Wooden dowels **must not** stick out from the edge by more than 10mm or they may damage other panels.



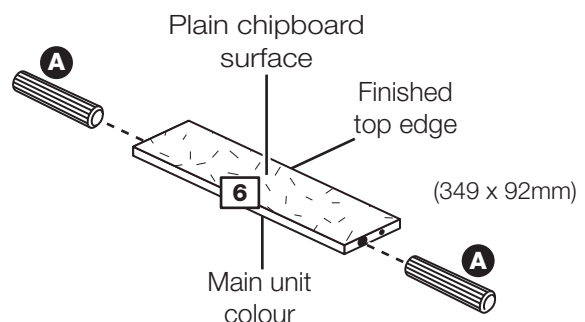
Step 10

Prepare the plinth and the rail

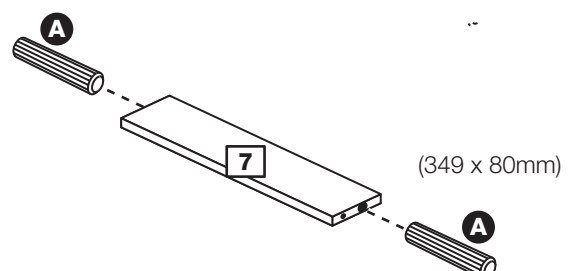
Tap 2 wooden dowels **A** into the plinth **6**.

Tap 2 wooden dowels **A** into the rail **7**.

Note: The plinth will be finished with the main unit colour on one surface.



Note: The rail may be plain chipboard or its colour may differ from the main unit colour.



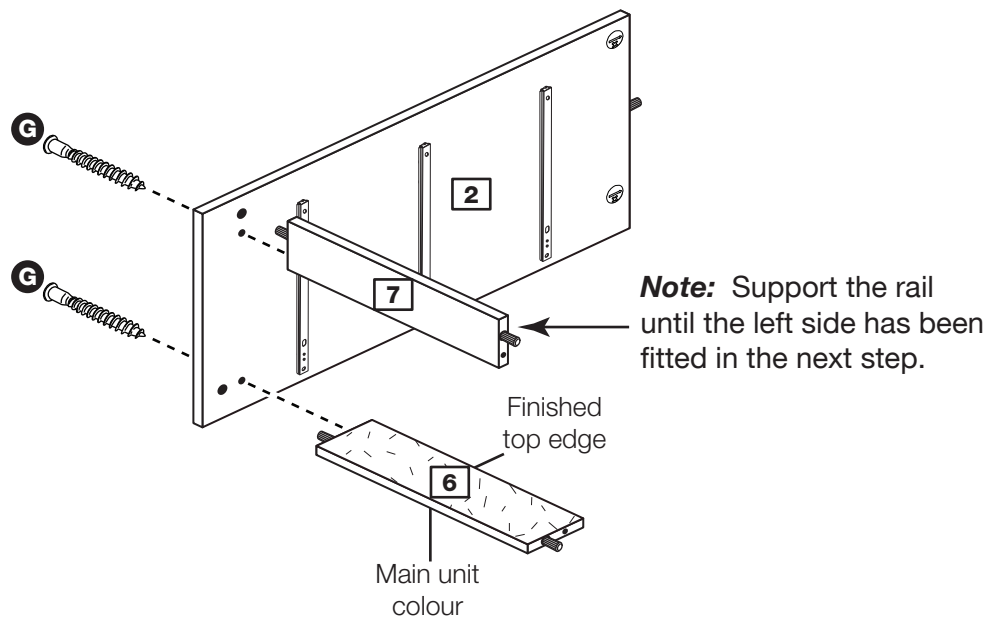
Assembly Instructions

Step 11

Fit the plinth and the rail to the right side

Push the plinth **6** onto the right side **2** and secure it with screw **G**.

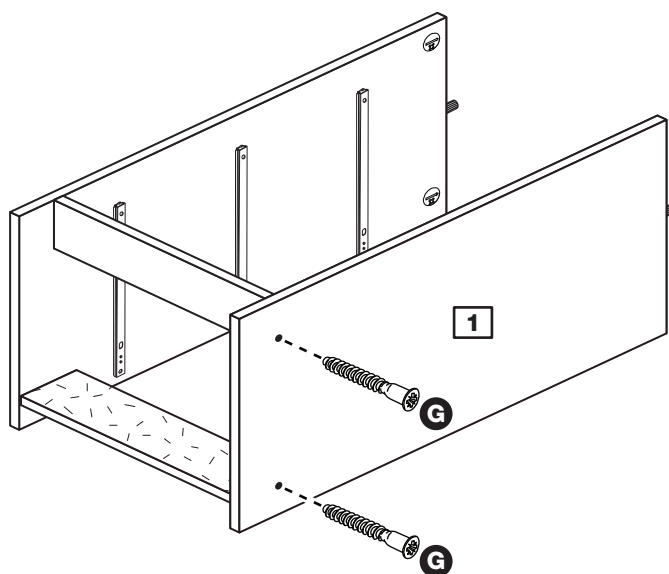
Push the rail **7** onto the right side **2** and secure it with screw **G**.



Step 12

Fit the left side

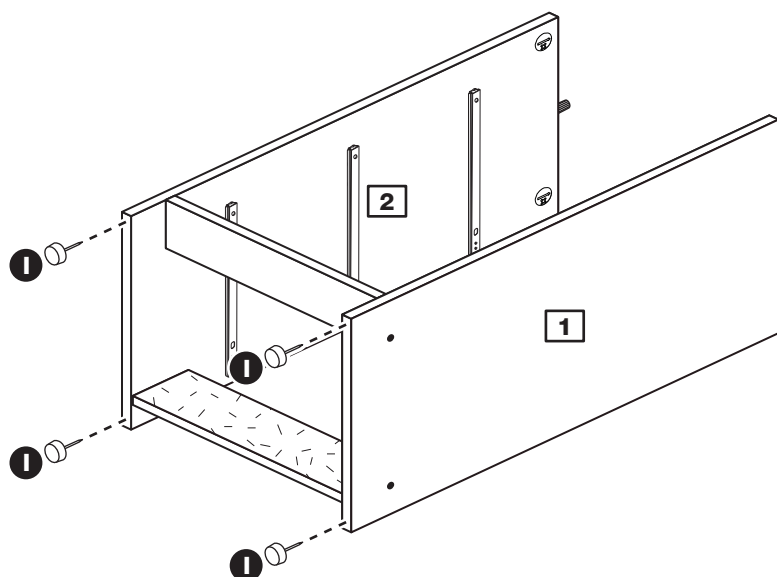
Push the left side **1** onto the unit and secure it with 2 screws **G**.



Step 13

Fit 4 plastic nails

Tap 2 plastic nails **I** into the bottom edge of each side **1** and **2** as shown.



Assembly Instructions

Step 14

Fit the back

a: Square up the unit by making sure that measurement **x to x** equals **y to y**.

b: Place the back **13** down onto the unit, making sure that it is flush with the bottom of the rail **7**.

Nail **C** down the sides and along the bottom edge of the back **13**.

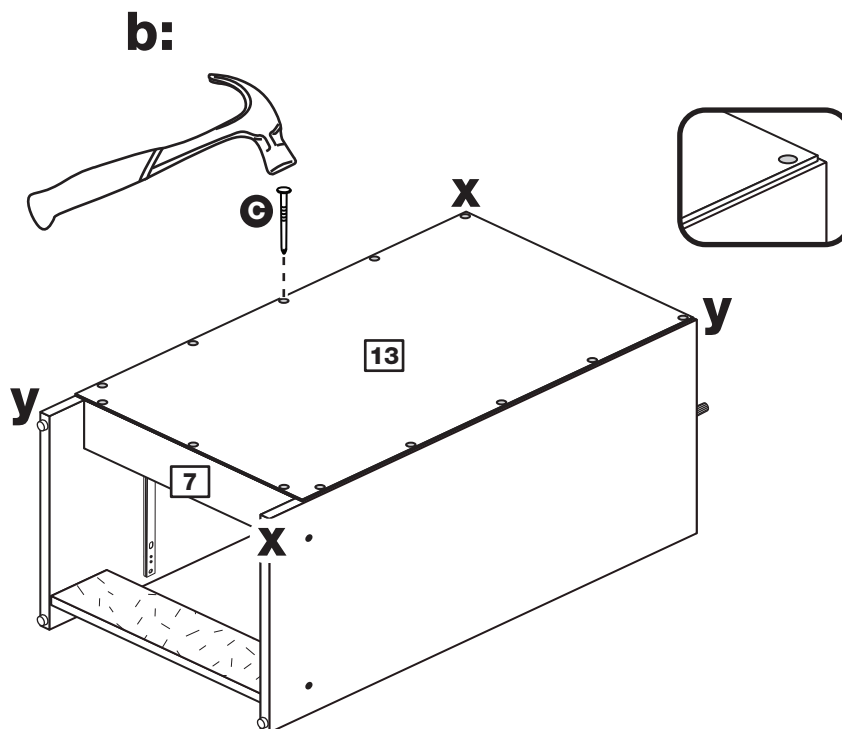
Note: Nails should be spaced about 150mm apart.



Squaring up a Chest and fitting the Back Panel

www.youtube.com/watch?v=Feal6541z7o

a: The measurement from top corner X to bottom corner X must be equal to the measurement from top corner Y to bottom corner Y

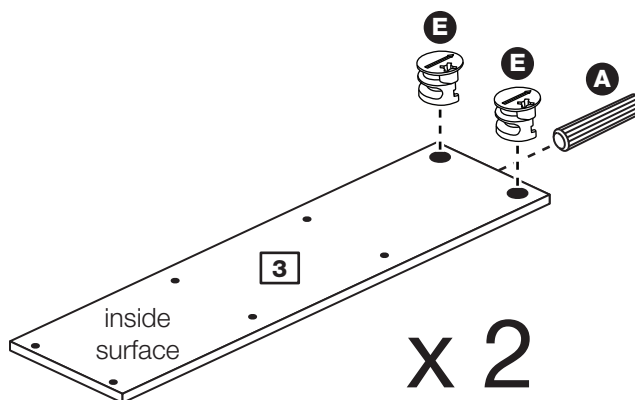


Step 15

Prepare the 2 bookcase ends

Insert 2 large locking cam nuts **E** into each bookcase end **3**.

Tap a wooden dowel **A** into each bookcase end **3**.

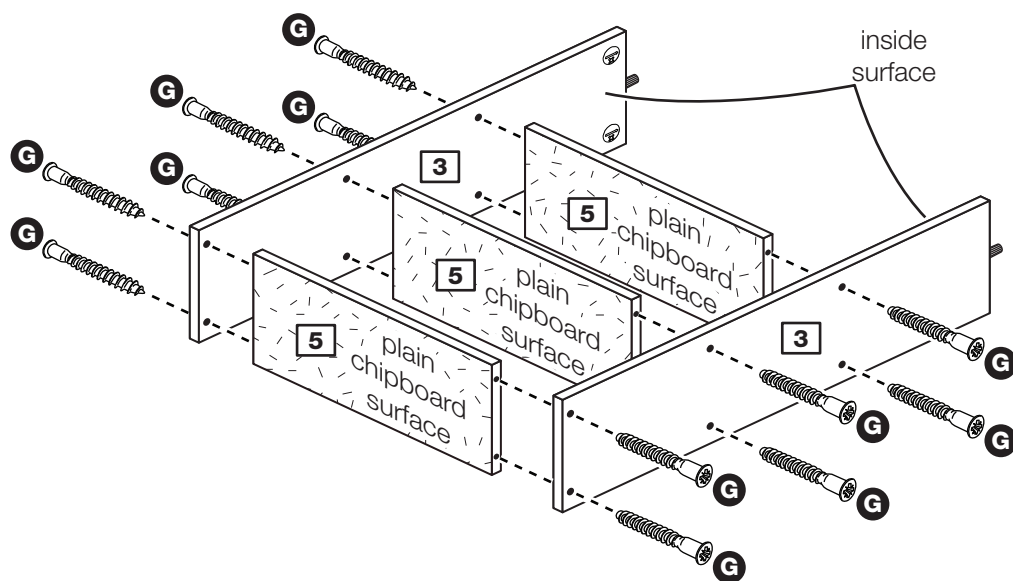


Assembly Instructions

Step 16

Fit the shelves to the bookcase ends

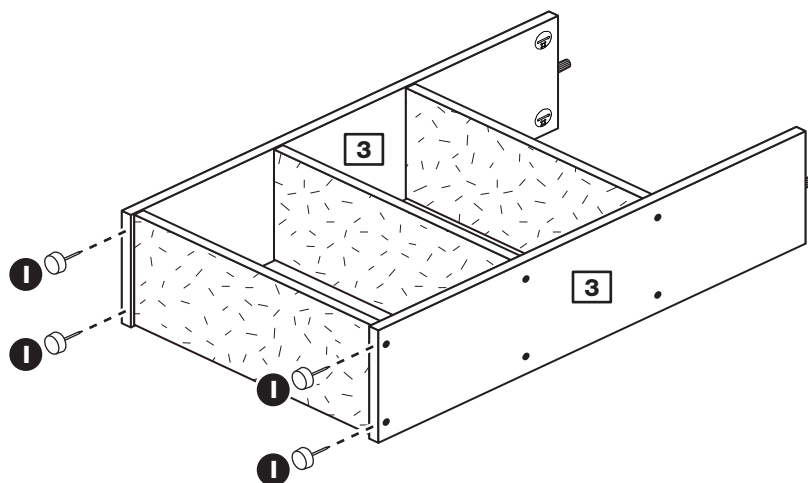
Attach the 3 shelves **5** to the bookcase ends **3** using 12 screws **G**.



Step 17

Fit 4 plastic nails

Tap 2 plastic nails **I** into the bottom edge of each bookcase end **3** as shown.



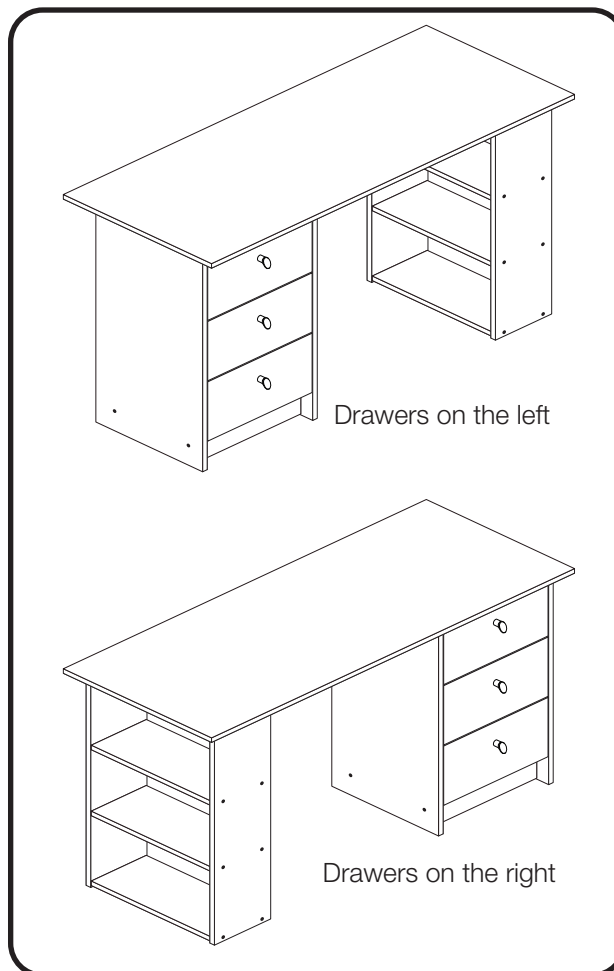
Assembly Instructions

Step 18

Choose desk layout

Before going onto the next step, decide which way around you would like your desk to be.

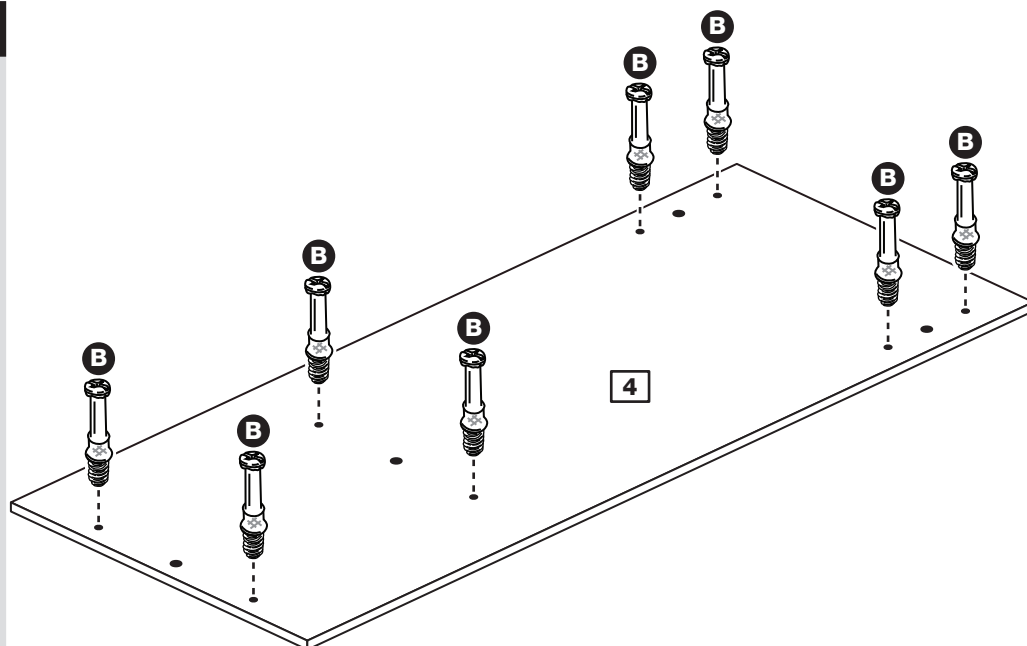
Place the 2 assemblies where the desk will be used, so that the unit does not have to be moved once the top panel has been secured into place.



Step 19

Prepare the top

Screw 8 metal dowels **B** into the top **4**.



Assembly Instructions

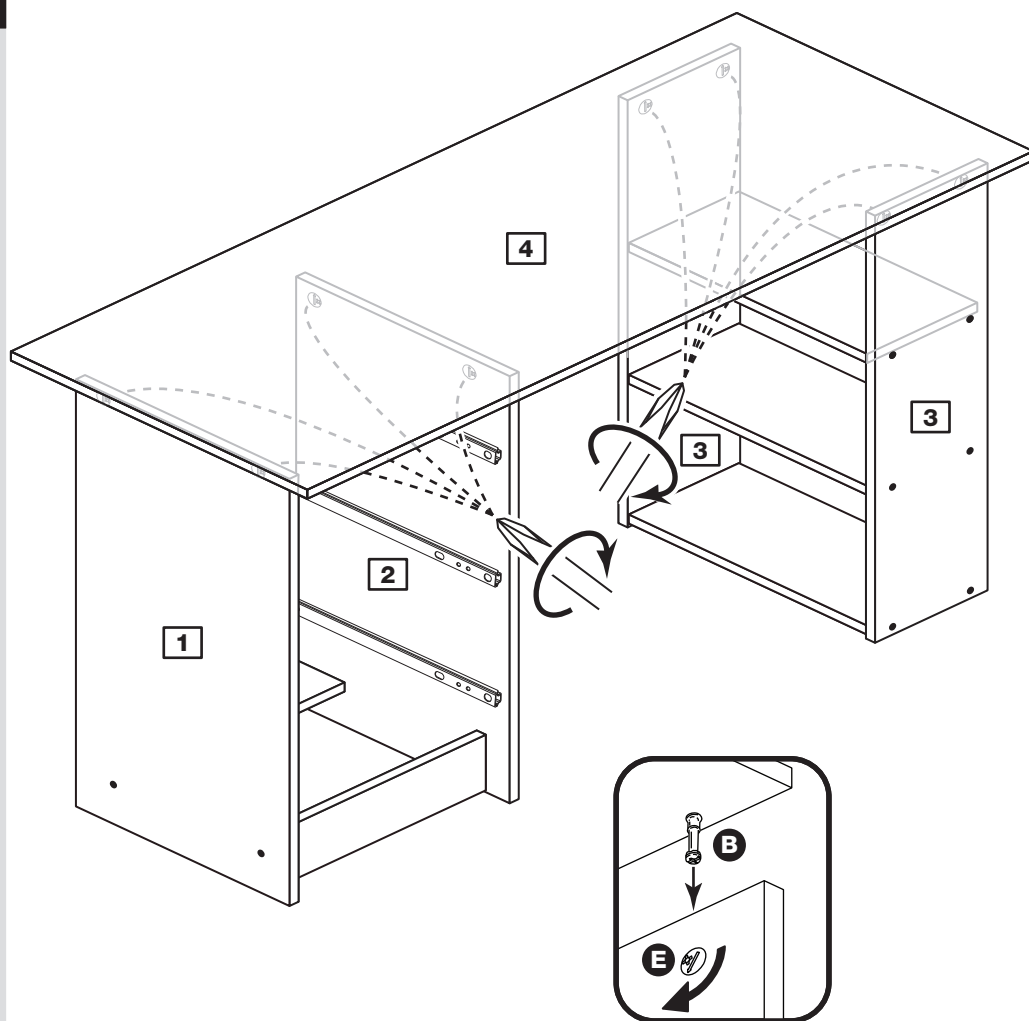
Step 20

Fit the top

Lift the top **4** and push the 8 metal dowels **B** fitted to the top **4** down into the holes in the top edge of the sides and bookcase ends **1**, **2** and **3**.

Use a screwdriver to tighten the 8 large locking cam nuts **E** fitted to the sides and bookcase end panels **1**, **2** and **3**.

Note: Turn the large locking cam nuts **E** as far as they will go - more than 1/2 a turn.



Assembly Instructions

Step 21

Fit the 2 overbalance protector kits

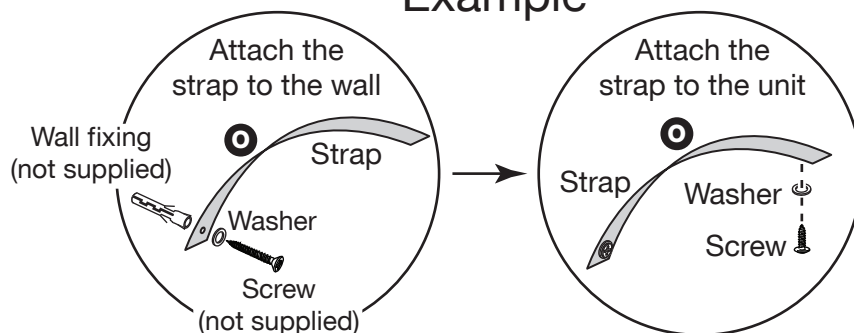
To prevent possible overbalancing this unit **must be secured** to a suitable wall by fitting of the 2 overbalance protector kits ①, 1 at each side the unit.

Wall fixings are not supplied as they will need to suit the wall type.

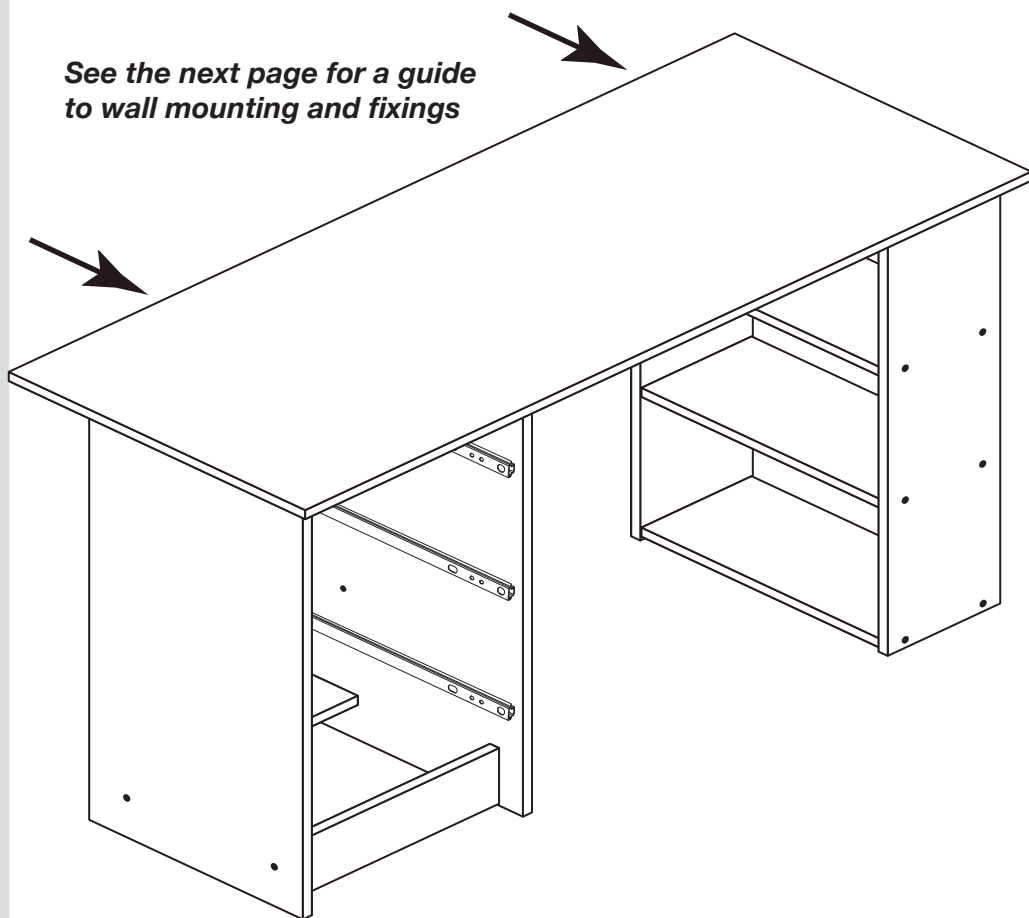
Note: Take care when drilling the wall that you do not drill into any pipes, wires etc. If in doubt, consult an expert.

WARNING!
In order to prevent overturning this product must be used with the 2 wall attachment devices provided

Example



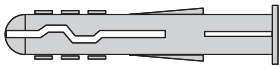
See the next page for a guide to wall mounting and fixings



A Guide to Wall Mounting & Fixings

Important note:

If plastic wall plugs are supplied with your product:



- these are only suitable for use in masonry walls.

If you are in any doubt about the correct wall plugs for your wall, seek professional advice.


Failure of the product due to using incorrect fixings is the responsibility of the installer.



Important: When drilling into walls always check that there are no hidden wires or pipes etc.

Make sure that the screws and wall plugs being used are suitable for supporting your unit. Consult a qualified tradesperson if you are unsure.

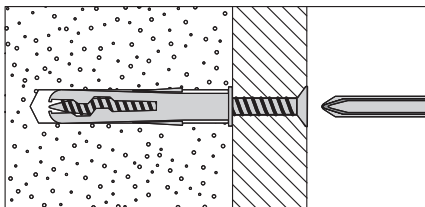
Hints:

- 1: General rule:  Always use a larger screw and wall plug if you are not sure.
- 2: Ensure you use the recommended drill bit to match the wall plug and hole size.
- 3: Ensure you drill the hole horizontally, do not force the drill or enlarge the hole.
- 4: Take extra care when drilling high walls, ceilings and ceramic tiles. Ensure wall plugs are inserted beyond the thickness of the ceramic tiles to avoid the tiles splitting or cracking.
- 5: Ensure wall plugs are well fitted and are a tight fit in the drilled hole.

Types of walls

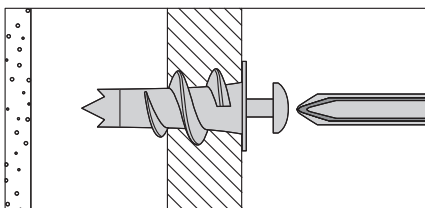
You can use one of the following types of wall plug if your walls are made of brick, breeze block, concrete, stone or wood.

No.1 "General Purpose" wall plug



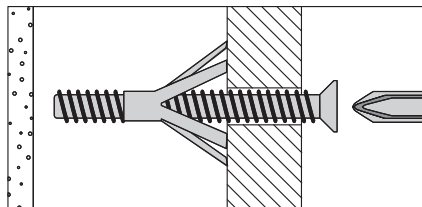
Generally aerated blocks should not be used to support heavy loads, use a specialist fitting in this case. For light loads, general purpose wall plugs can be used.

No.2 "Plasterboard" wall plug



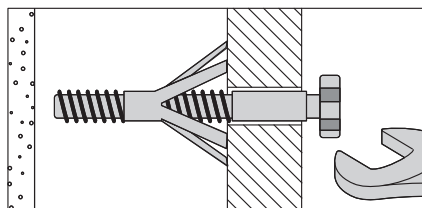
For use when attaching light loads on to plasterboard partitions.

No.3 "Cavity Fixing" wall plug



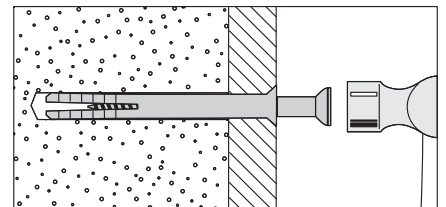
For use with plasterboard partitions or hollow wooden doors.

No.4 "Cavity Fixing-Heavy Duty" wall plug



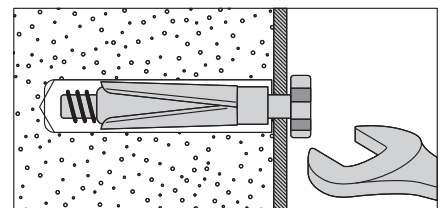
For use when fitting or supporting heavy loads such as shelving, wall cabinets and coat racks.

No.5 "Hammer Fixing" wall plug



For use with walls stuck with plasterboard. The hammer fixing allows it to be fixed to the wall rather than the plasterboard. Always check the fixing is secure to the retaining wall.

No.6 "Shield Anchor" wall plug Heavy loads



For use with heavier loads such as TV & HiFi speakers and satellite dishes etc.



Care & Maintenance

Safety: Always check the fitting and location to ensure your safety in and around the home.

Fitting: From time to time check the fitting to ensure the wall plugs or screws do not become loose.

Assembly Instructions

Step 22



Fitting Ball Bearing Runners

www.youtube.com/watch?v=yG4xtiJJeSg

Fit the drawers

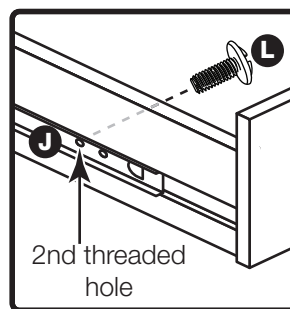
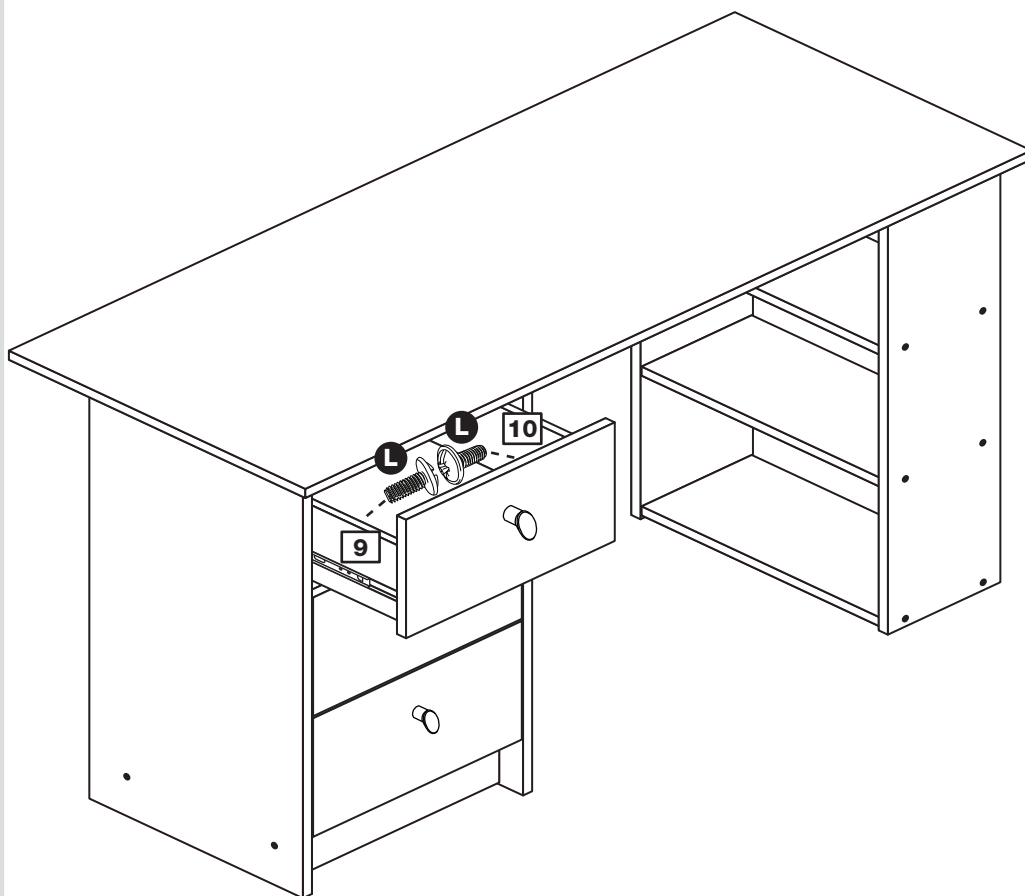
Starting with the bottom drawer, slide both the runners **J** forward and locate the drawer sides **9** and **10** between them, lining up the holes in the drawer wrap with the 2nd 'threaded' holes in the runners **J**.

Working from the inside of the drawer, insert 2 screws **L** through the drawer sides and out into the 2nd threaded hole in the runner.

Assembly is complete



Warning: The unit is heavy. Lift with care.



Note: Do not overtighten the screws. If they catch on the runner you may need to loosen them slightly.

If you need help or have damaged or missing parts, please visit www.argos-support.co.uk or email: Help@ClickSpares.co.uk (quoting your original order number)

Alternatively, call the Spares Helpline on: 0370 112 1928.

For any other queries please contact the Customer Helpline on: 0345 640 2020