

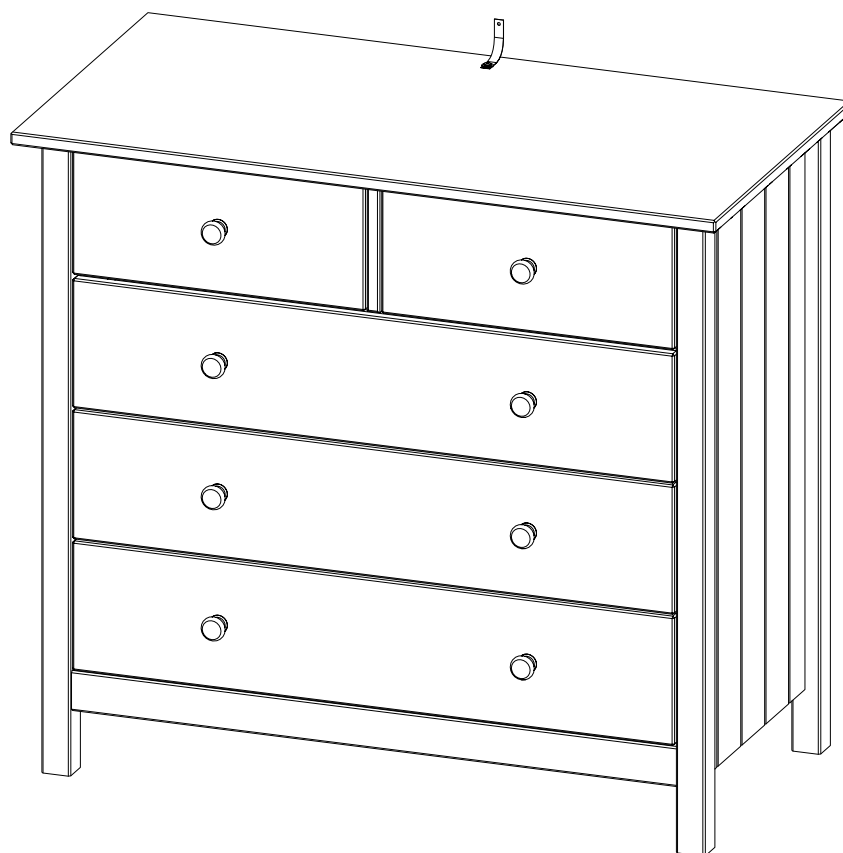
Scandinavia - Chest of drawers

Assembly Instructions

487/7174

Retain these instructions for future reference

476/8654



Dimensions

Width - 78cm

Depth - 40cm

Height - 71cm

Sainsbury's Argos

489-499 Avebury Boulevard

Saxon Gate West

Central Milton Keynes

MK9 2NW

Important – Please read these instructions fully before starting assembly

If you need help or have damaged or missing parts, call the **Customer Helpline: 03456 400800**



Safety and Care Advice

Important – Please read these instructions fully before starting assembly

- Check you have all the components and tools listed on pages 2 and 3.
- Do not use this item if any components are missing or damaged.
- Remove all fittings from the plastic bags and separate them into their groups.
- Keep children and animals away from the work area, small parts could choke if swallowed.
- Make sure you have enough space to layout the parts before starting.
- Do not stand or put weight on the product, this could cause damage.

- Assemble the item as close to its final position (in the same room) as possible.
- Assemble on a soft level surface to avoid damaging the unit or your floor.
- Parts of the assembly will be easier with 2 people.



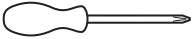
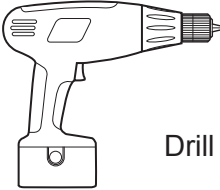

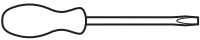



- We do not recommend the use of power drill/drivers **for inserting screws**, as this could damage the unit. Only use hand screwdrivers.
- Dispose of all packaging carefully and responsibly.

- Assembly to be carried out by a competent adult only
- During assembly children should be kept away from the product due to possible risk of injury.
- Folding and unfolding this product should only be carried out under adult supervision.
- Ensure that fingers and legs are clear of all adjustments when adjusting this product.
- Regularly check all fastenings to ensure that they properly tightened.

Care and maintenance

- Only clean using a damp cloth and mild detergent, do not use bleach or abrasive cleaners.
- From time to time check that there are no loose screws on this unit.
- This product should not be discarded with household waste. Take to your local authority waste disposal centre.

Tools required

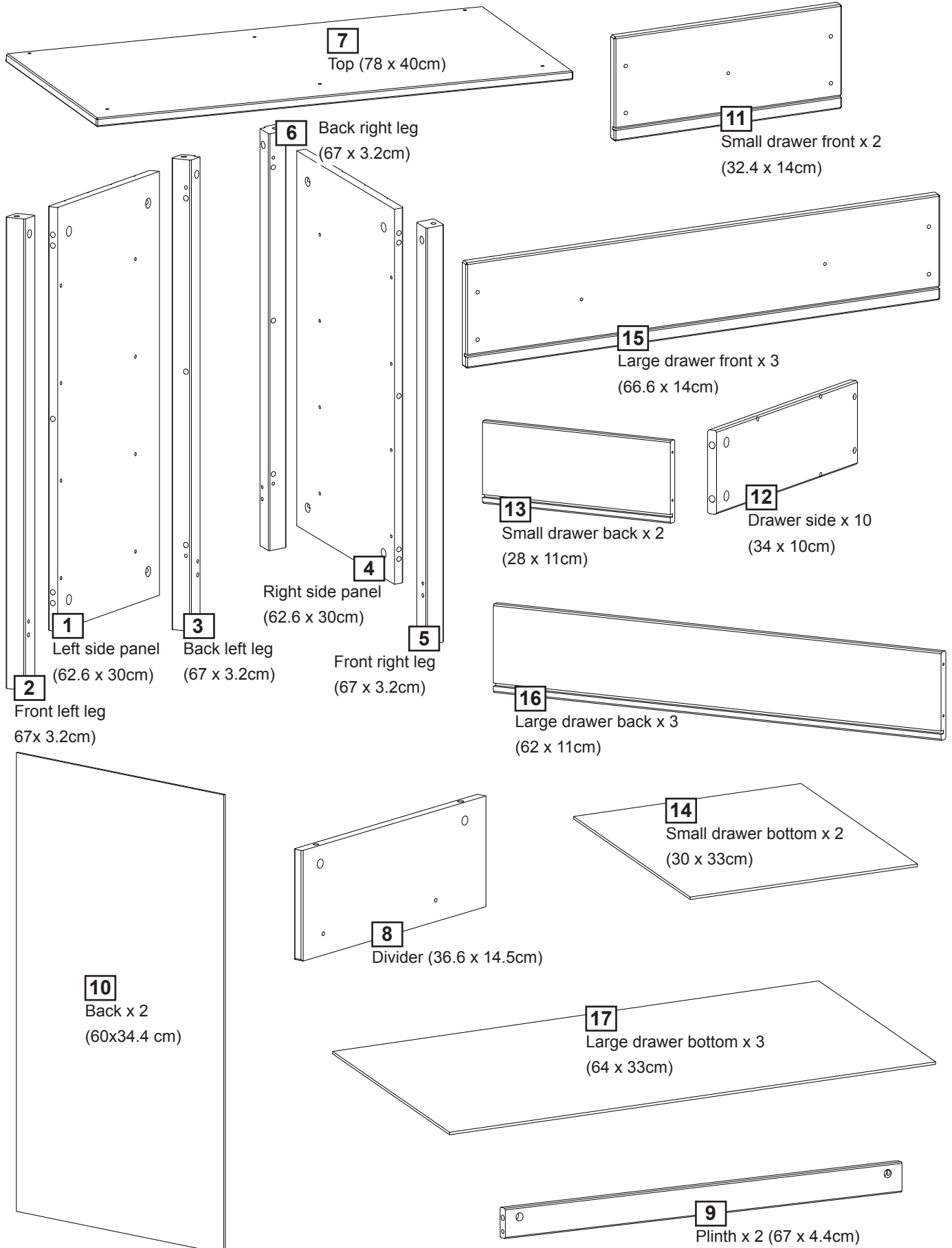
- | | | | | | |
|---|---|---|-------|---|--|
|  | Phillips screwdriver (medium & large) |  | Drill |  | Small hammer |
|  | Flatblade screwdriver (medium) | | |  | Ruler/tape measure |
|  | 7mm Suitable drill bit (for use with wall plug) | | |  | Eye protection (when using a hammer or glue) |

Note: if required the next page can be cut out and used as reference throughout the assembly. Keep this page with these instructions for future reference.

Components - Panels

If you have damaged or missing components, call the **Customer Helpline: 03456 400 800**


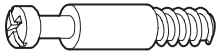
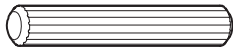

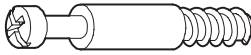
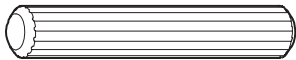


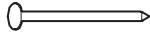
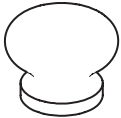

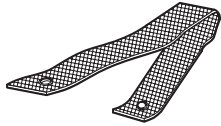
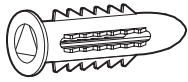
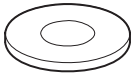
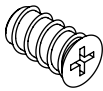
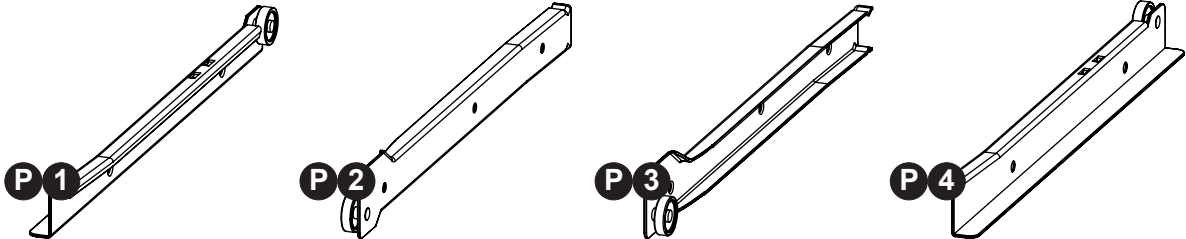
Please check you have all the panels listed below



Components - Fittings

Please check you have all the fittings listed below

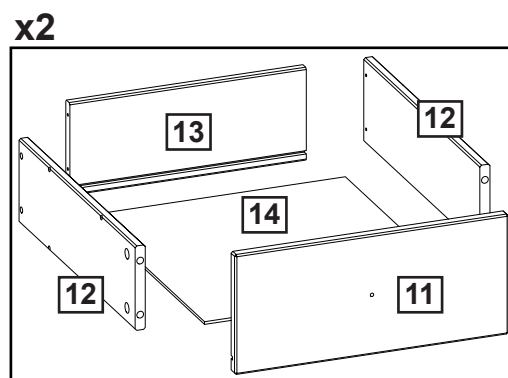
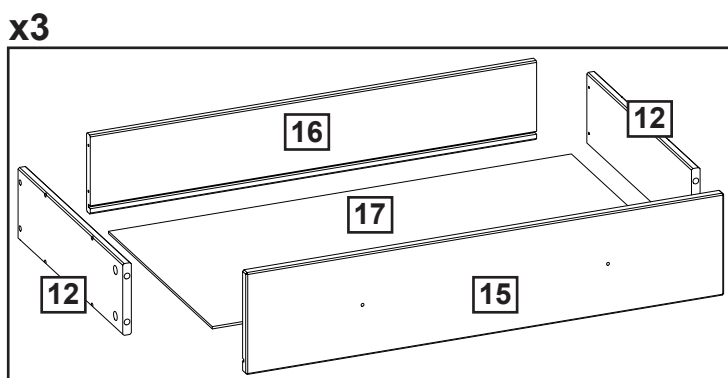
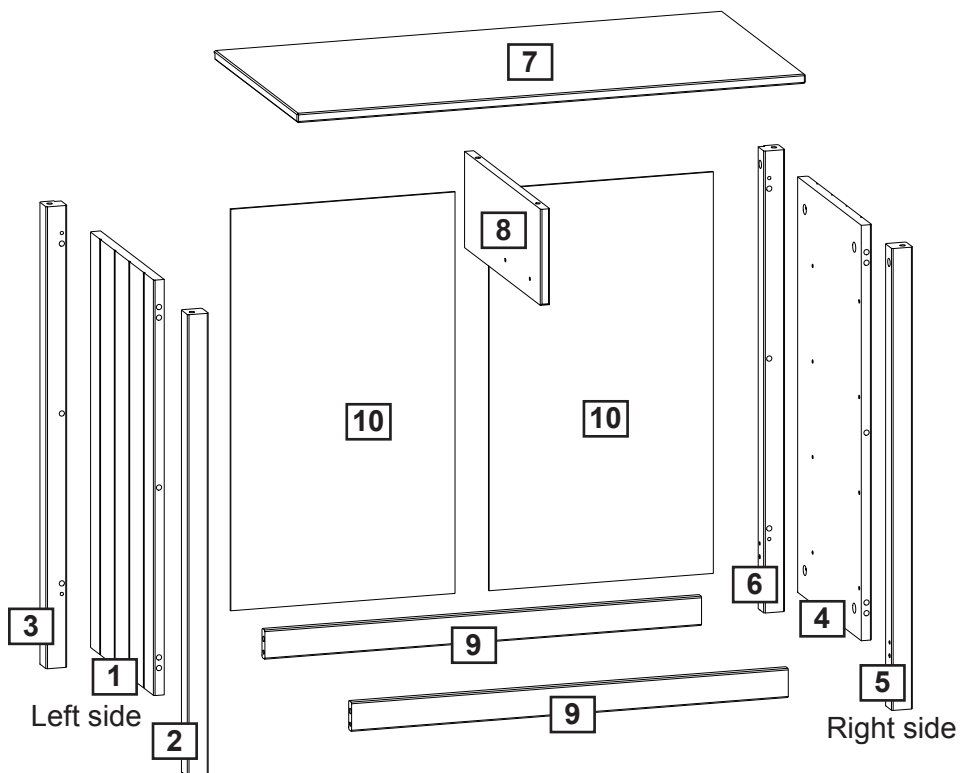
Note: The quantities below are the correct amount to complete the assembly. In some cases more fittings may be supplied than are required.

<p>A</p>  <p>Cam 12 mm x 30</p>	<p>B</p>  <p>Locking pin 24 mm x 30</p>	<p>C</p>  <p>Dowel 30 mm x 4</p>
<p>D</p>  <p>Cam 15 mm x 8</p>	<p>E</p>  <p>Locking pin 34 mm x 8</p>	<p>F</p>  <p>Dowel 40 mm x 12</p>
<p>G</p>  <p>Screw 14 mm x 1</p>	<p>H</p>  <p>Screw 35 mm x 28</p>	<p>I</p>  <p>Nail x 30</p>
<p>J</p>  <p>Knob x 8</p>	<p>K</p>  <p>Screw 20 mm x 1</p>	<p>L</p>  <p>Wall strap x 1</p>
<p>M</p>  <p>Wall plug x 1</p>	<p>N</p>  <p>Washer x 2</p>	<p>O</p>  <p>Screw x 40</p>
<p>P</p>  <p>Drawer runners x 5</p>		

Ruler - Use this ruler to help correctly identify the screws



Components - Key Diagram



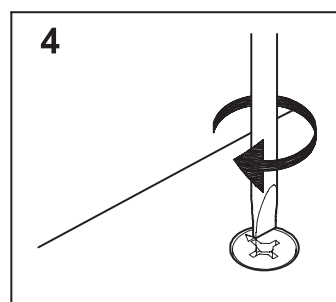
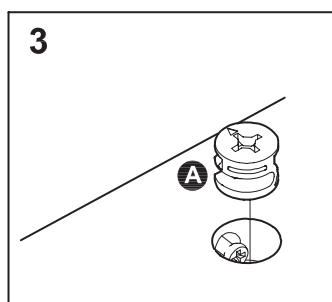
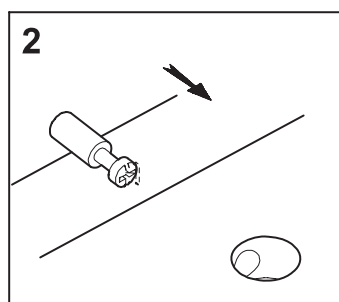
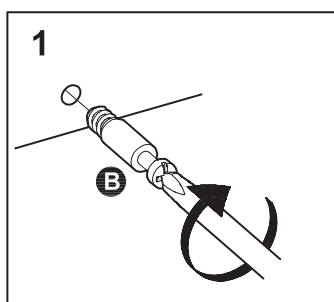
Function of Cam and Locking Pin

Step 1:
Fix the locking pin to the wooden panel.

Step 2:
Push the wooden panel with the attached locking pin onto the other wooden panel.

Step 3:
Place the cam into the hole, arrow pointing towards the locking pin.

Step 4:
Tighten: Turn the cam to the right.



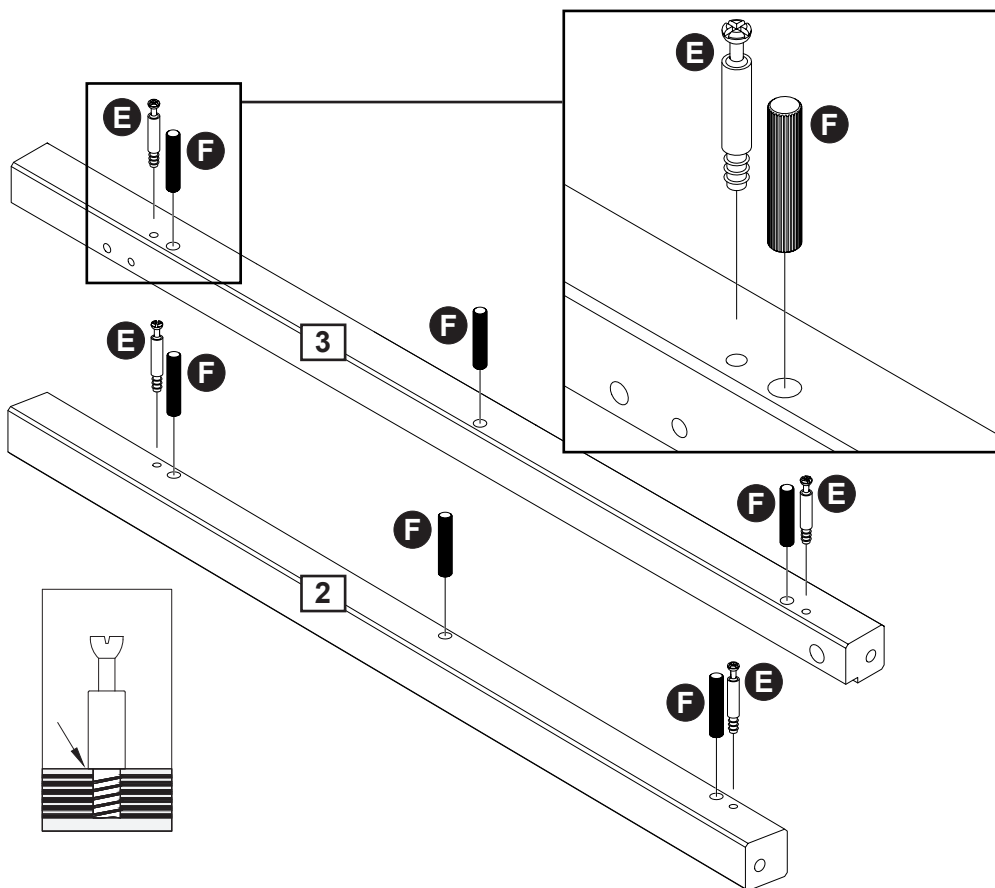
Assembly Instructions

Step 1

Inserting the dowels and mounting the locking pins to the legs.

Insert the dowels **F** into the holes indicated on the legs **2** and **3**. Screw the locking pins **E** into the holes indicated on the legs **2** and **3**.

Note: Insert locking pins E as far as shown. **Do not over tighten.**



Step 2

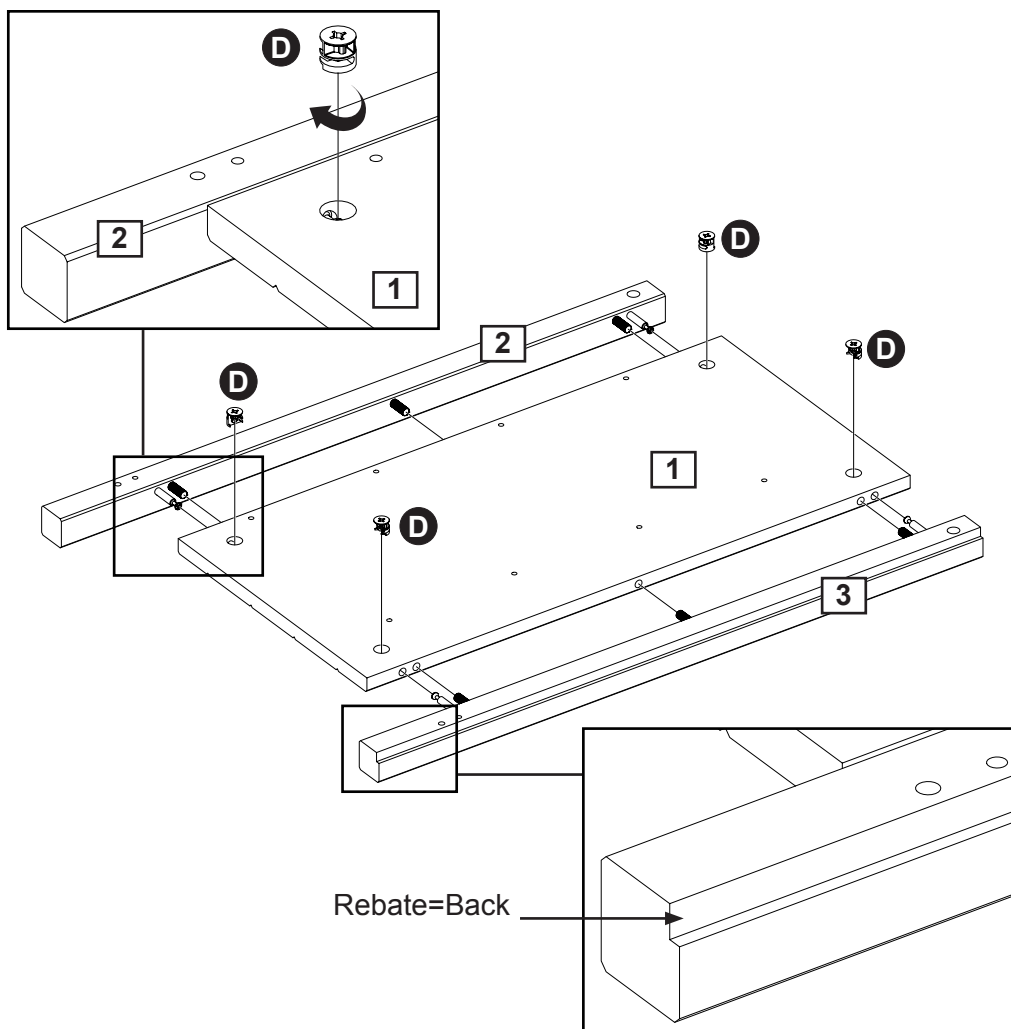
Mounting legs to the side panels.

Fit the legs **2** and **3** onto the side panel **1**.

Note: See page 5 "Function of cam and locking pin".

Place the cams **D** into the holes indicated on the side panel **1**.

To tighten cams: Turn to the right using a screwdriver.



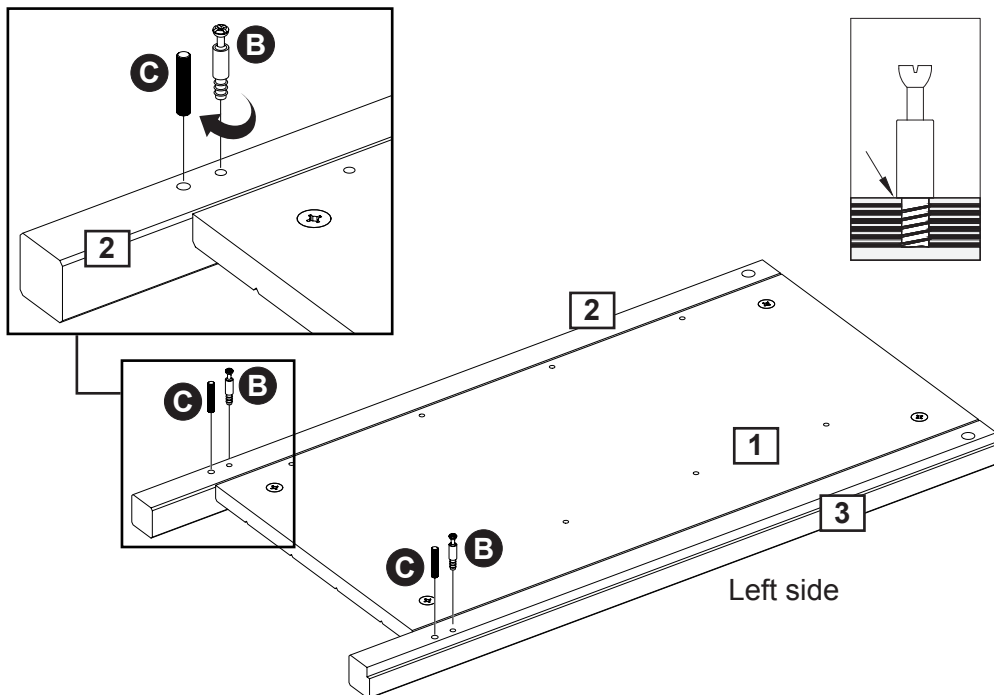
Assembly Instructions

Step 3

Inserting the dowels and mounting the locking pins to the assembled side.

Insert the dowels **C** into the holes indicated. Screw the locking pins **B** into the holes indicated on the legs **2** and **3**.

Note: Insert locking pins **B** as far as shown. Do not over tighten.

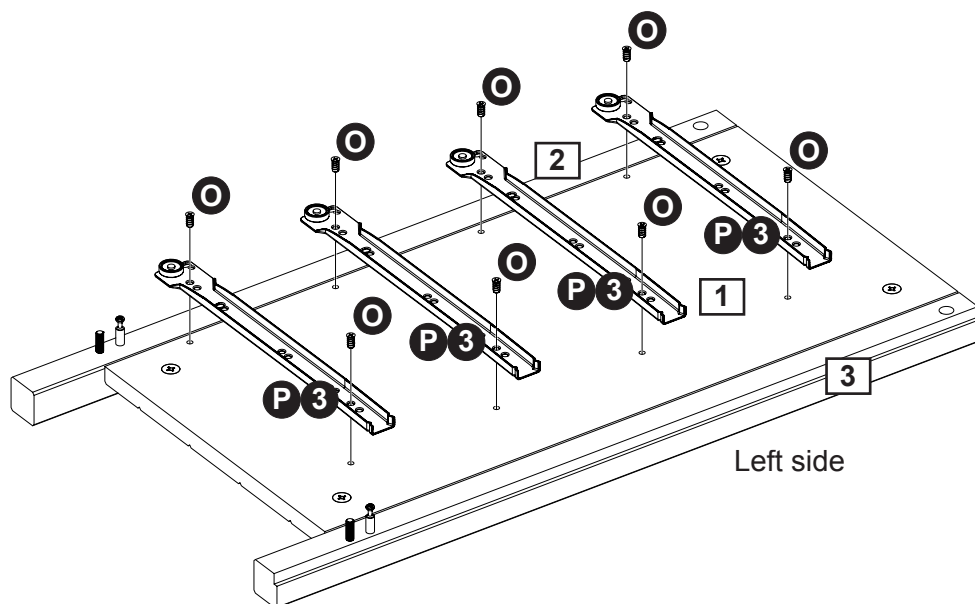


Step 4

Attaching the drawer runners to the assembled side.

Fix the drawer runners **P3** to the left side **1**, **P2** to the right side **4** using screws **O** through the holes indicated.

To tighten screws:
Turn to the right using a screwdriver.



Repeat these steps with right side.

Assembly Instructions

Step 6

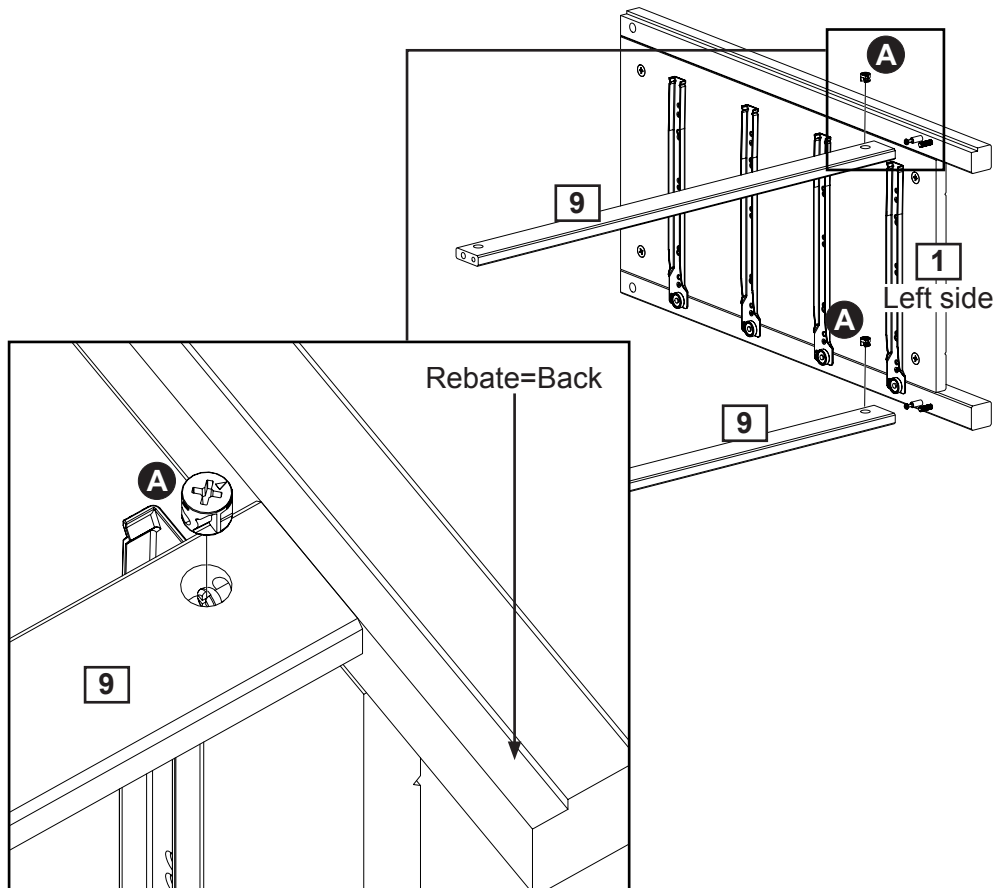
Adding the plinths to the left side.

Fit the left side **1** onto the plinths **9**.

Note: See page 5 “Function of cam and locking pin”.

Place the cams **A** into the holes indicated on the plinths **9**

To tighten cams: Turn to the right using a screwdriver.



Step 7

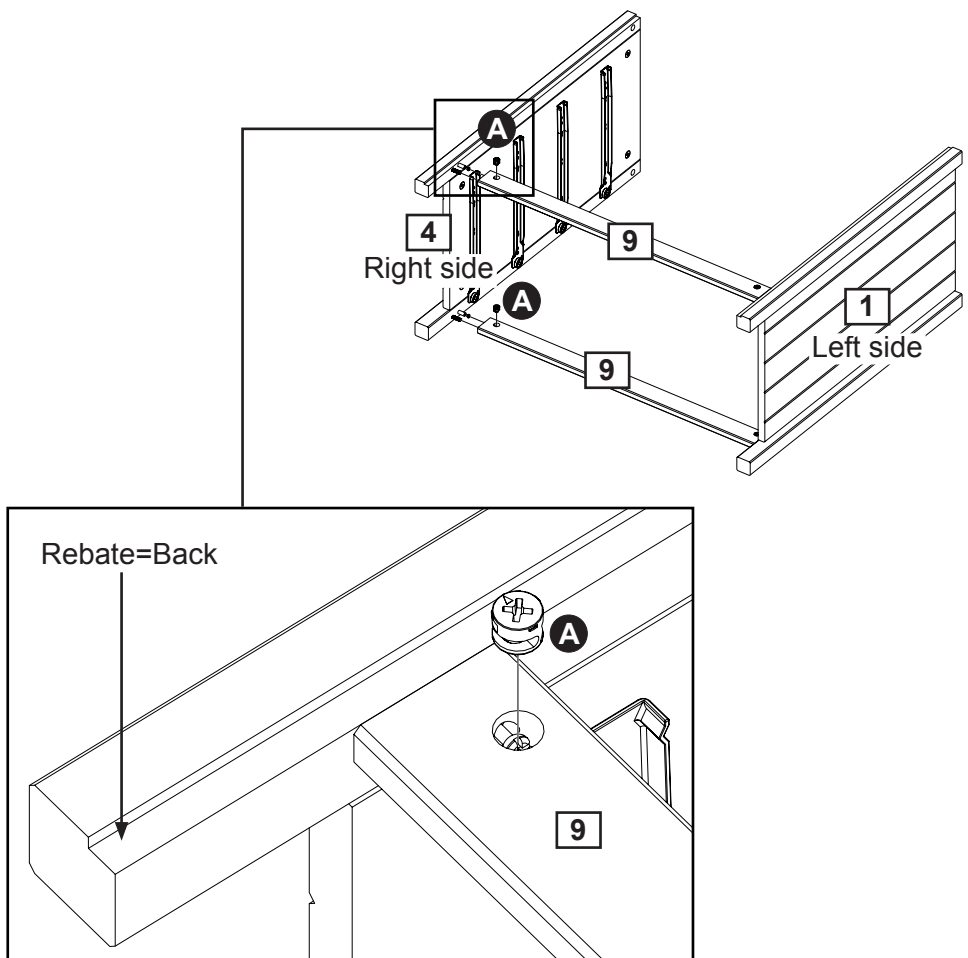
Adding the plinths to the right side.

Fit the right side **4** onto the plinths **9**.

Note: See page 5 “Function of cam and locking pin”.

Place the cams **A** into the holes indicated on the plinths **9**.

To tighten cams: Turn to the right using a screwdriver.

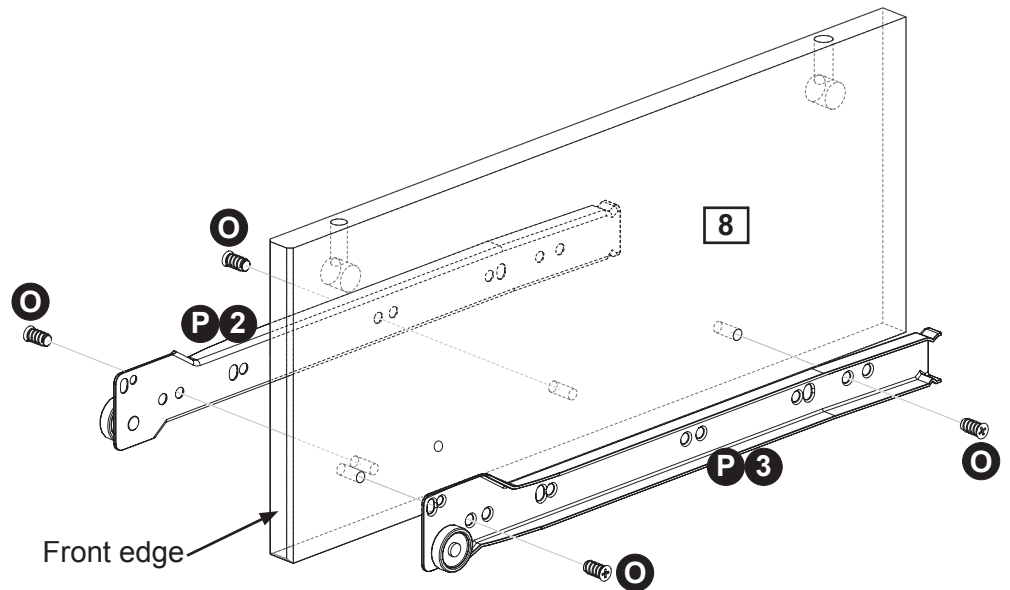


Assembly Instructions

Step 8

Attaching drawer runners to the divider.

Fix the drawer runner **P2** to the divider left side and the drawer runner **P3** to the divider right side with screws **O** into the holes indicated on the divider **8**.

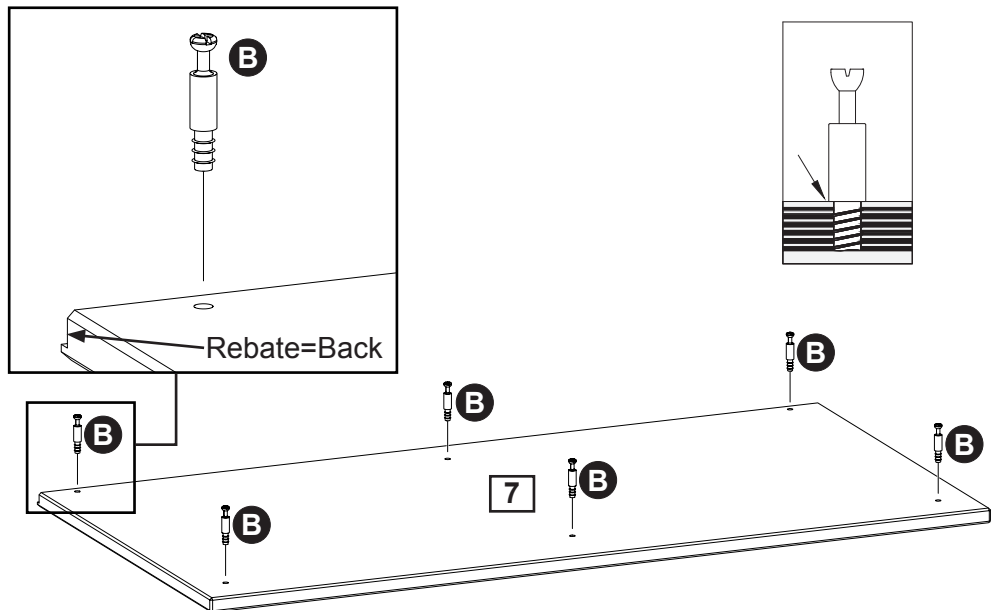


Step 9

Mounting the locking pins to the top.

Screw the locking pins **B** into the holes indicated on the top **7**.

Note: Insert locking pins **B** as far as shown. Do not over tighten.



Step 10

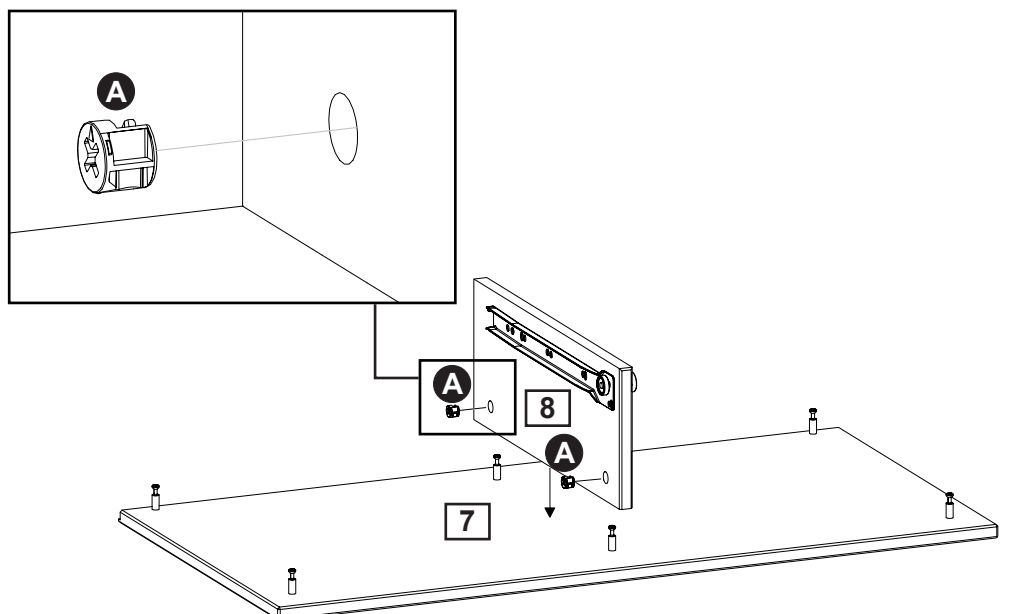
Assembling the divider to the top.

Fit the divider **8** onto the top **7**.

Note: See page 5 "Function of cam and locking pin".

Place the cams **A** into the holes indicated on the divider **8**.

To tighten cams: Turn to the right using a screwdriver.



Assembly Instructions

Step 11

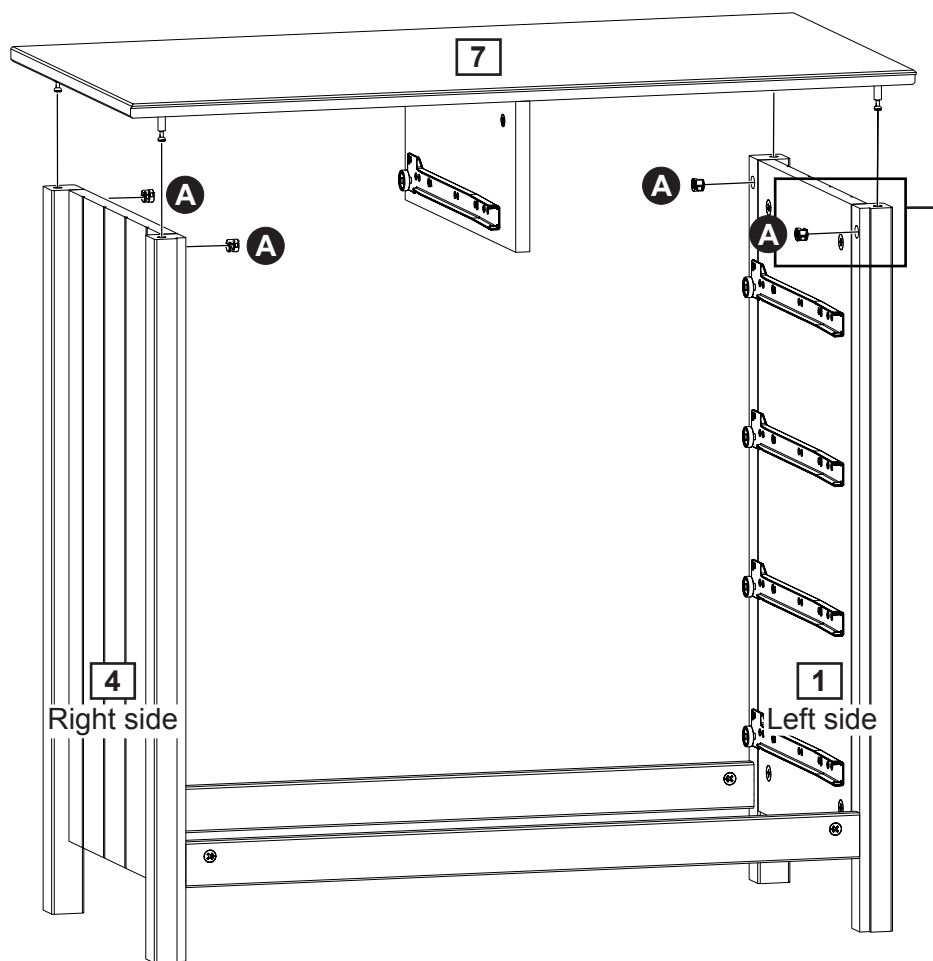
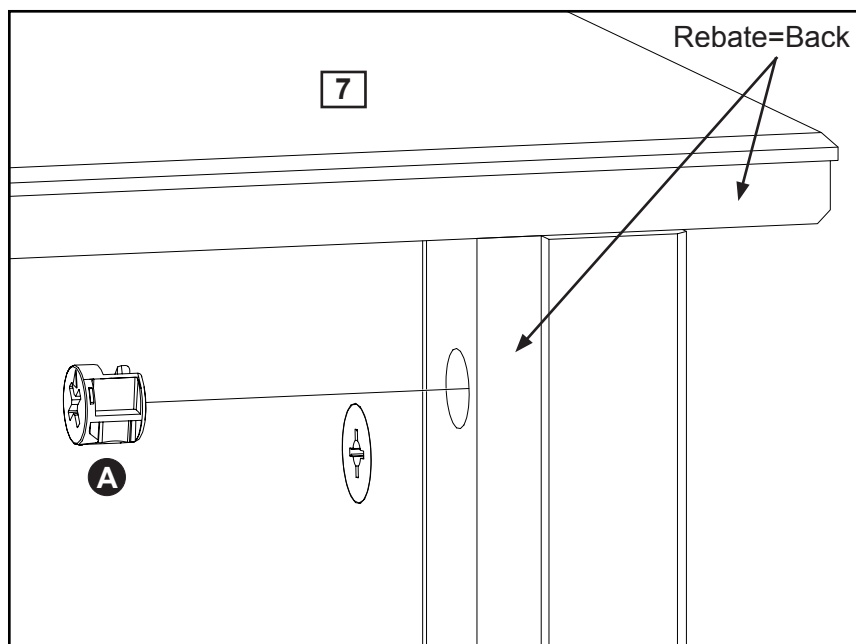
Assembling the top to the sides.

Attach the top **7** onto the sides **1** and **4**.

Note: See page 5 “Function of cam and locking pin”.

Place the cams **A** into the holes indicated on the sides **1** and **4**.

To tighten cams: Turn to the right using a screwdriver.



Assembly Instructions

Step 12

Adding the back to the carcass.

Carefully turn the assembled piece of furniture, with the back to the top.

Place the back **10** into the rebate of the top **7** and the side **4**.

Ensure that there is no gap between the side back, not between the top and the back.

Fasten the back with nails **I** along the top.

The angle between the top and the side must be 90 degrees.

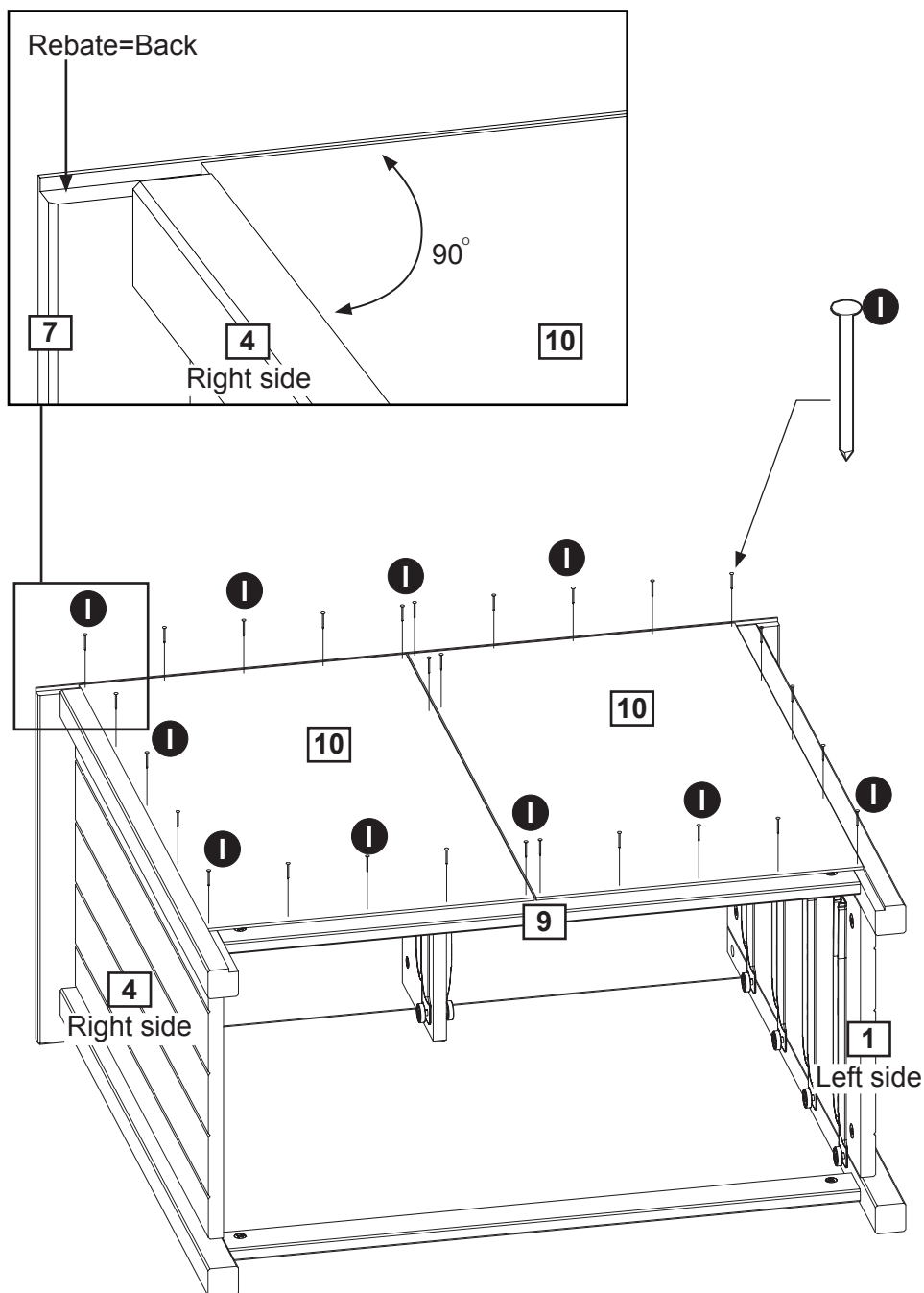
To accomplish this, ensure that there is no gap between the right side **4** and the back **10**.

Fasten the back with nails **I** along the side.

Place the back **10** into the rebate of the top **7** and the side **1**.

Ensure that there is no gap between the side back, not between the top and the back.

Fasten the back with nails **I** along the side and the plinth.

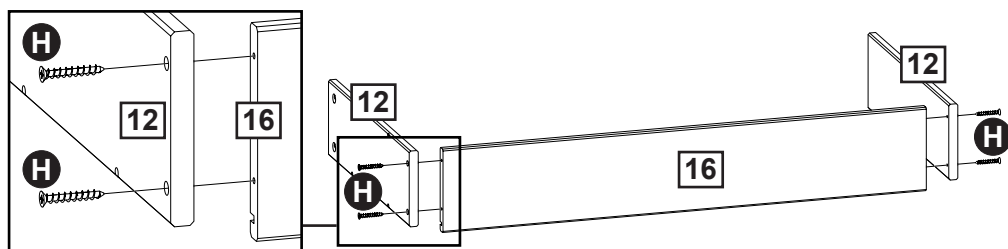


Assembly Instructions

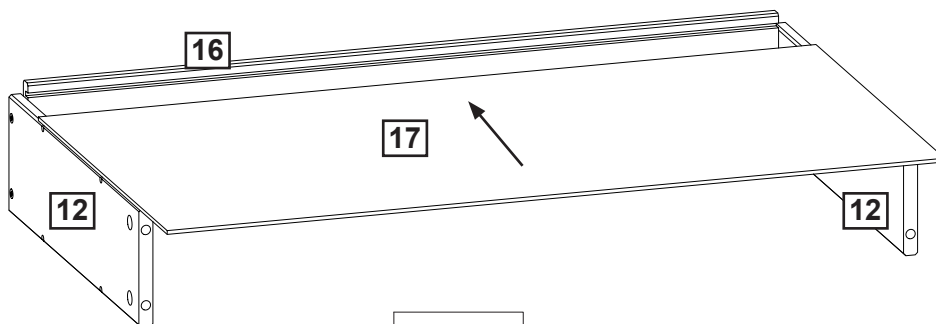
Step 13

Large drawer assembly.

a: Fix the drawer sides **12** to the drawer back **16** using screws **H**.

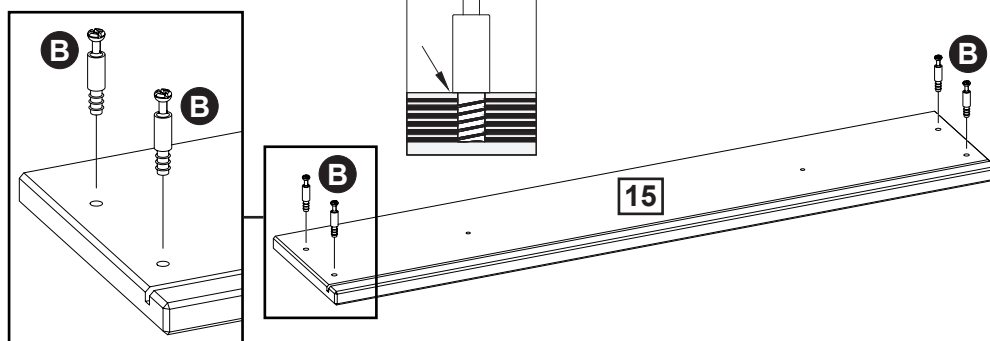


b: Slide the drawer bottom **17** into the grooves of the drawer back **16**.



c: Screw the locking pins **B** into the holes indicated on the drawer front **15**.

Note: Insert locking pins **B** as far as shown. **Do not over tighten.**

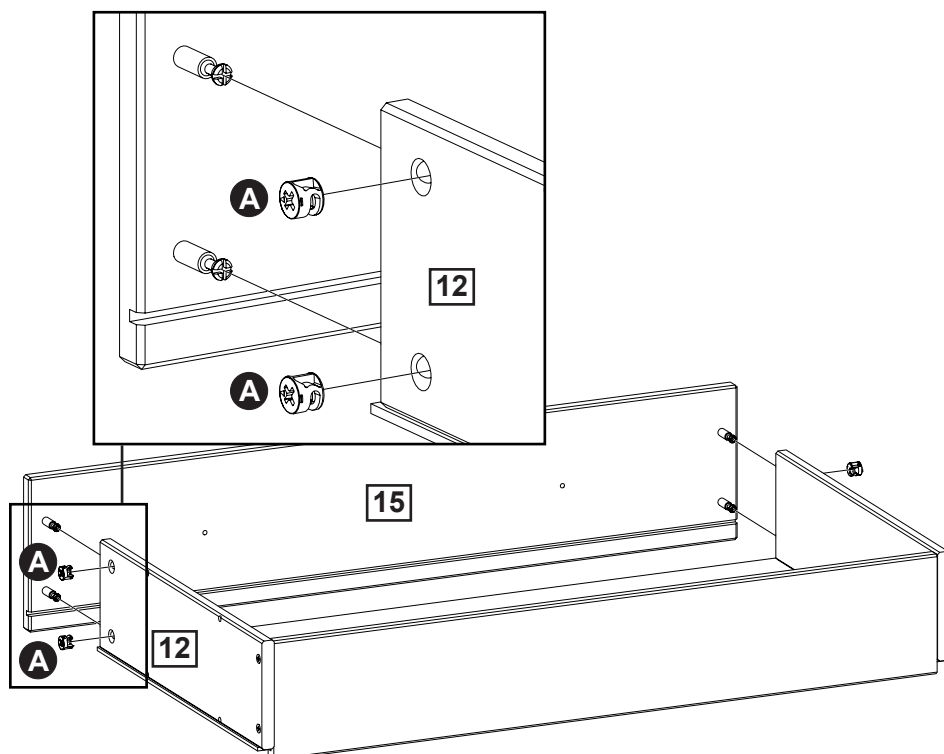


d: Press the drawer front **15** onto the drawer sides **12**.

Note: See page 5 "Function of cam and locking pin".

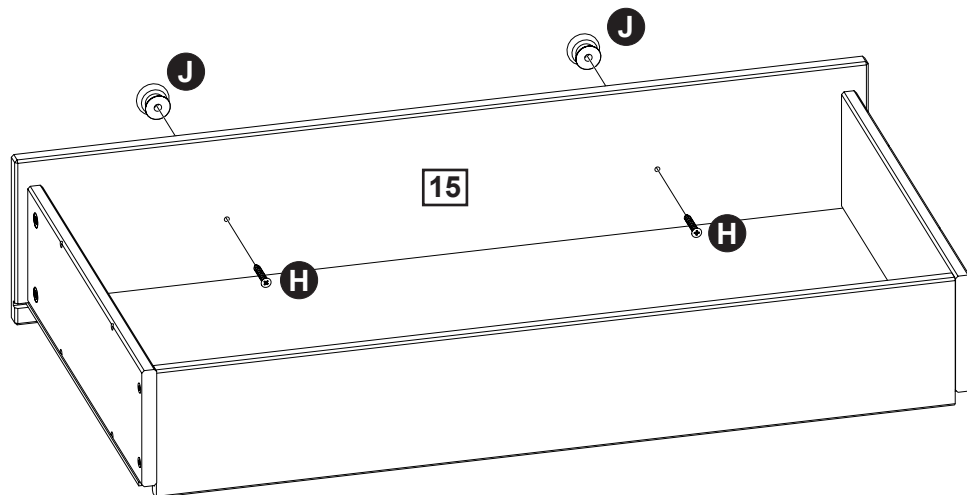
Place the cams **A** into the holes indicated on the drawer side **12**.

To tighten cams: Turn to the right using a screwdriver.

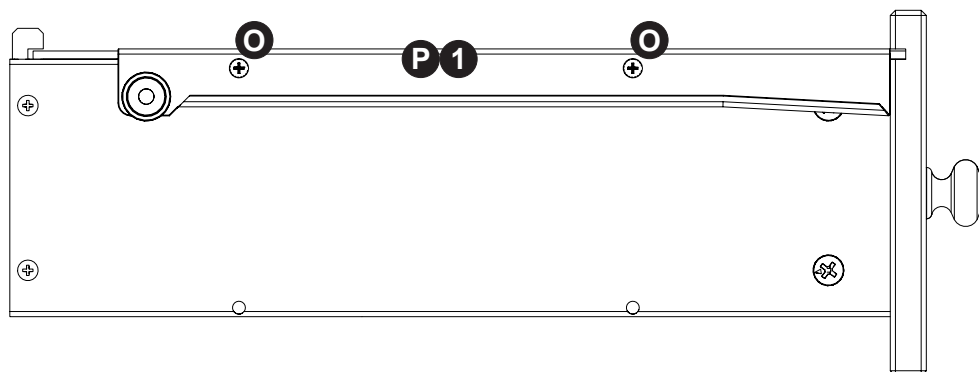
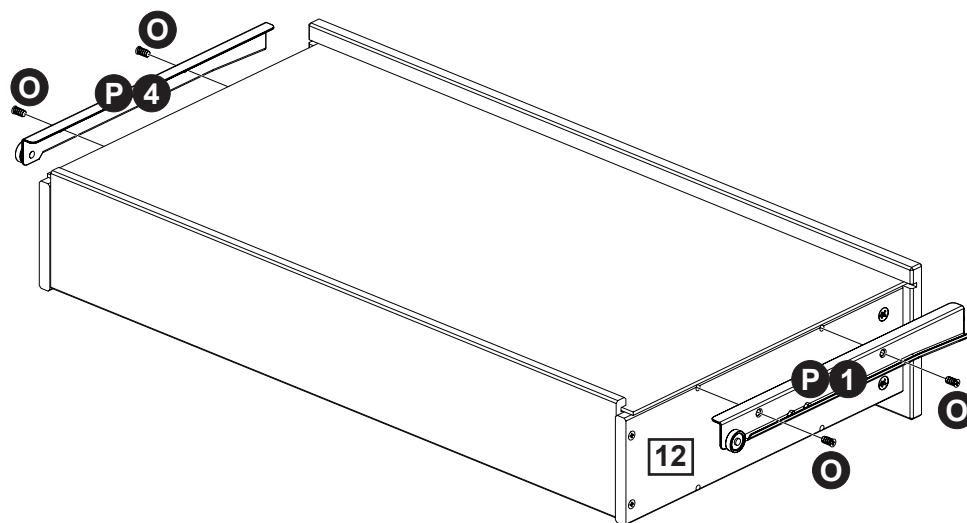


Assembly Instructions

e: Fix the knobs **J** to the drawer front **15** using screws **H**.



f: Fix the drawer runners **P1** and **P4** to the drawer sides **12** using screws **O** through the holes indicated.



Repeat with remaining drawer.

Assembly Instructions

Step 14

Small drawer assembly.

a: Fix the drawer sides **12** to the drawer back **13** using screws **H**.

b: Slide the drawer bottom **14** into the grooves of the drawer back **13**.

c: Screw the locking pins **B** into the holes indicated on the drawer front **11**.

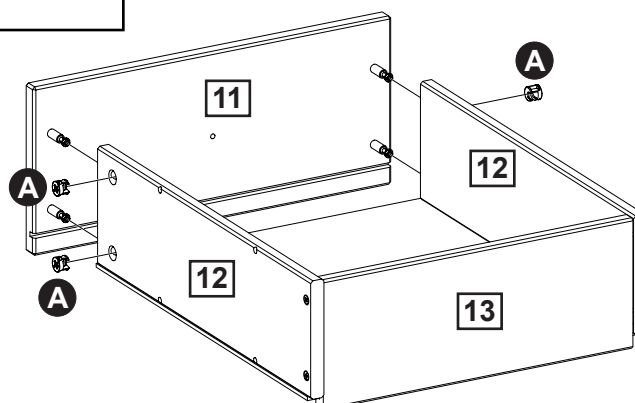
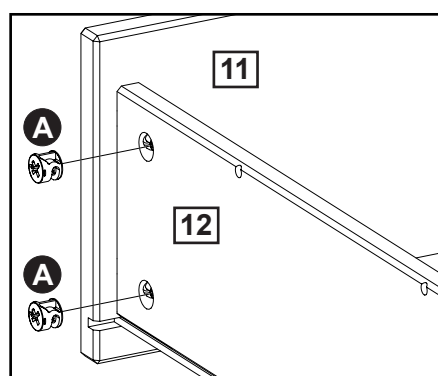
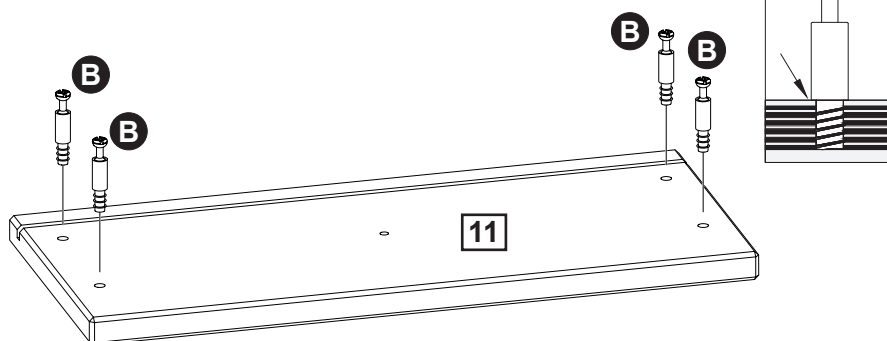
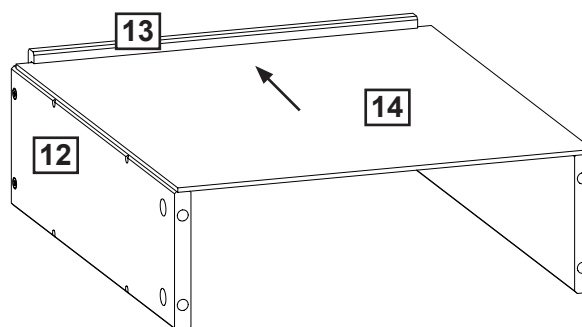
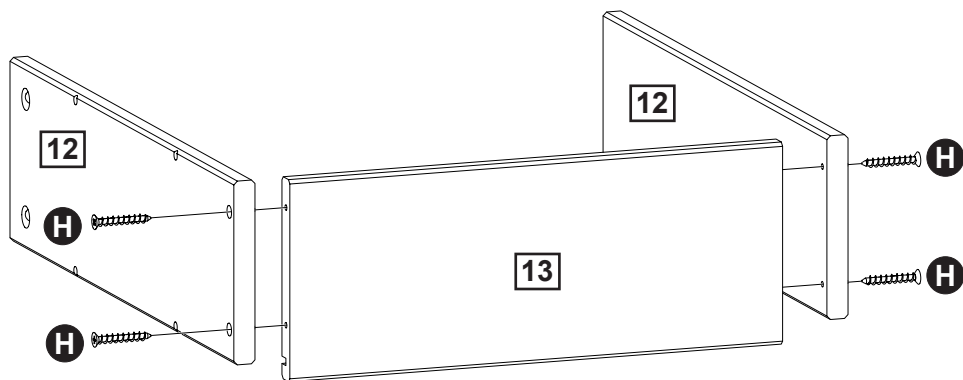
Note: Insert locking pins **B** as far as shown. **Do not over tighten.**

d: Press the drawer front **11** onto the drawer sides **12**.

Note: See page 5 “Function of cam and locking pin”.

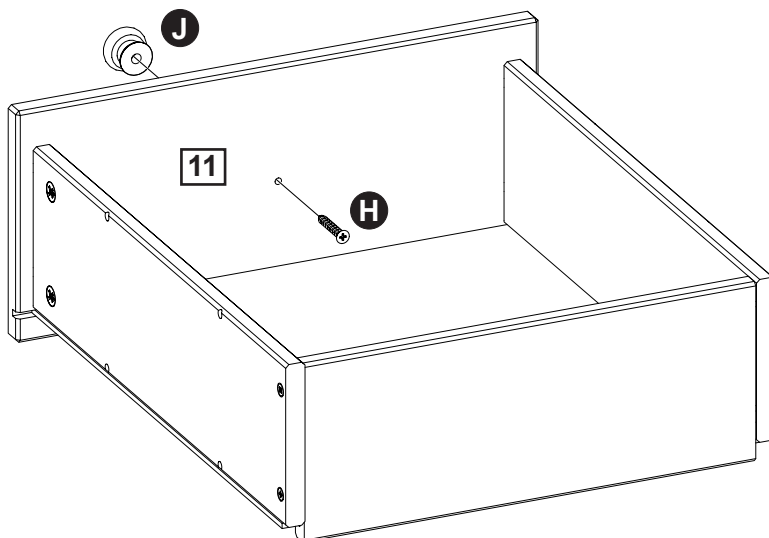
Place the cams **A** into the holes indicated on the drawer side **12**.

To tighten cams: Turn to the right using a screwdriver.

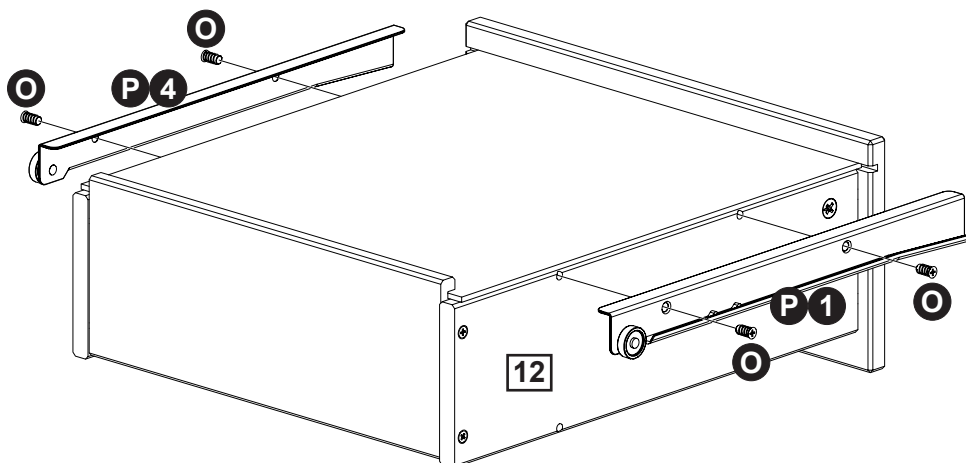


Assembly Instructions

e: Fix the knob **J** to the drawer front using screw **H**.



f: Fix the drawer runners **P1** and **P4** to the drawer sides **12** using screws **O** through the holes indicated.

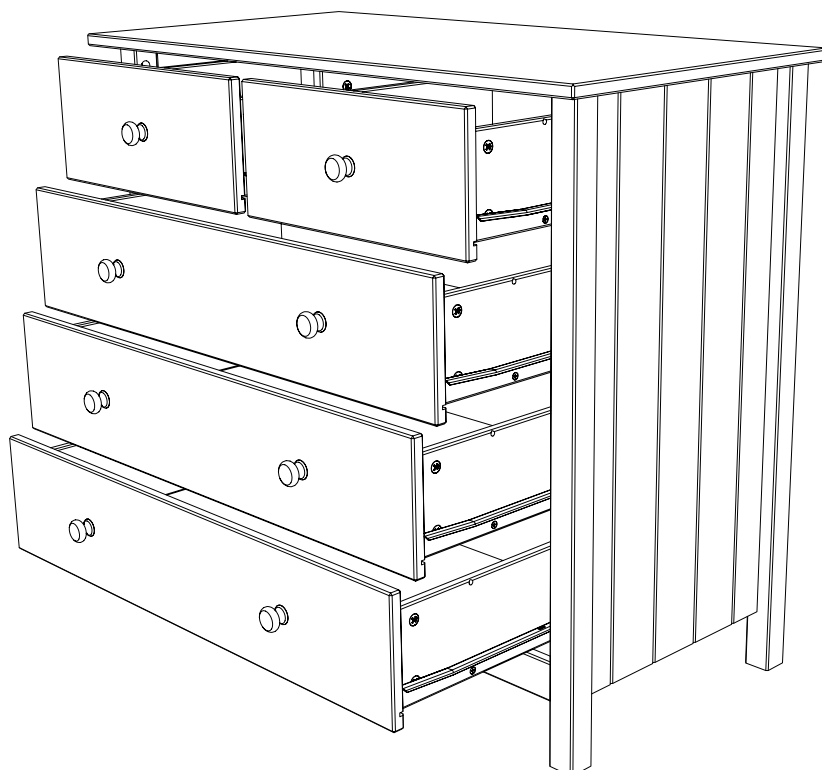


Repeat with remaining drawer.

Step 14

Adding the drawers to the carcass.

Slide the drawers onto the drawer runners.



Assembly Instructions

Step 14

Fixing to wall

It is recommended that the drawer chest is fixed to a wall.

Fix wall strap **L** to top of drawer chest using screw **G**.

With help, move drawer chest into position.



Warning:
The drawer chest is heavy.
Lift with care.

Mark fixing hole on wall and remove storage.

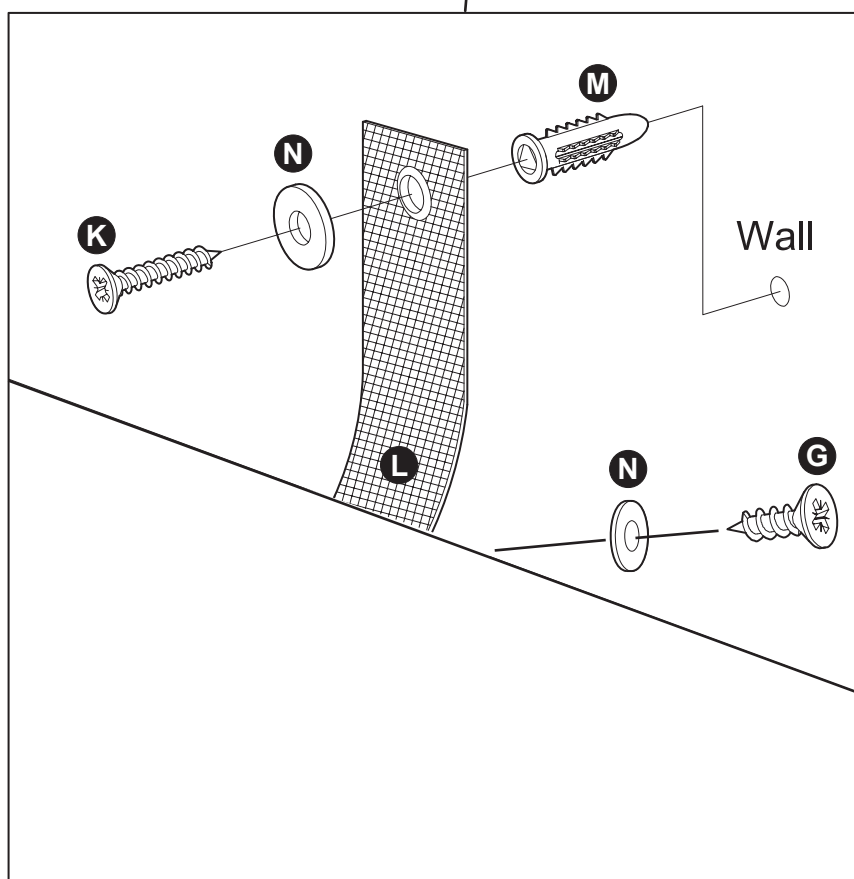
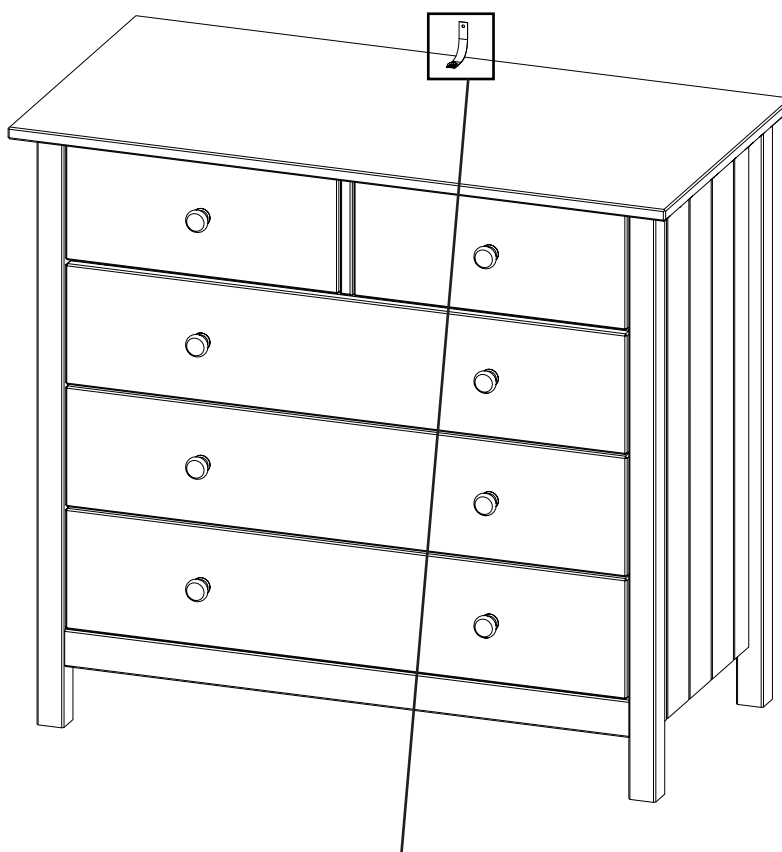
Drill 7mm hole and insert wall plug **M**.



Warning: Before drilling, check wall for hidden pipes and cables.

Reposition drawer chest and fix wall strap using screw **K**.

Assembly is complete.



If you need help or have damaged or missing parts, call the **Customer Helpline: 03456 400 800**
Domestic address or Home Retail Group Plc address.

A Guide to - Wall Mounting & Fixings

Important note:

If plastic wall plugs are supplied with your product:



- these are only suitable for use in masonry walls.

If you are in any doubt about the correct wall plugs for your wall, seek professional advice.


Failure of the product due to using incorrect fixings is the responsibility of the installer.



Important: When drilling into walls always check that there are no hidden wires or pipes etc.

Make sure that the screws and wall plugs being used are suitable for supporting your unit. Consult a qualified tradesperson if you are unsure.

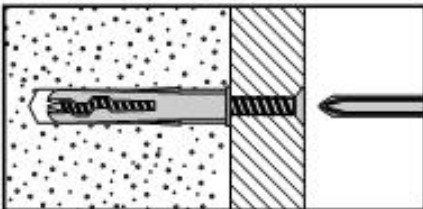
Hints:

- 1: **General rule:**  Always use a larger screw and wall plug if you are not sure.
- 2: Ensure you use the recommended drill bit to match the wall plug and hole size.
- 3: Ensure you drill the hole horizontally, do not force the drill or enlarge the hole.
- 4: Take extra care when drilling high walls, ceilings and ceramic tiles. Ensure wall plugs are inserted beyond the thickness of the ceramic tiles to avoid the tiles splitting or cracking.
- 5: Ensure wall plugs are well fitted and are a tight fit in the drilled hole.

Types of walls

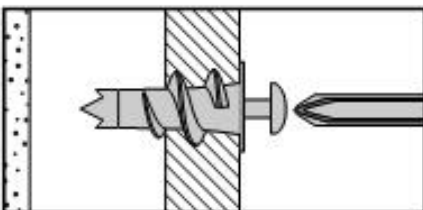
You can use one of the following types of wall plug if your walls are made of brick, breeze block, concrete, stone or wood.

No.1 "General Purpose" wall plug



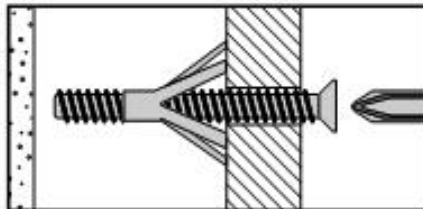
Generally aerated blocks should not be used to support heavy loads, use a specialist fitting in this case. For light loads, general purpose wall plugs can be used.

No.2 "Plasterboard" wall plug



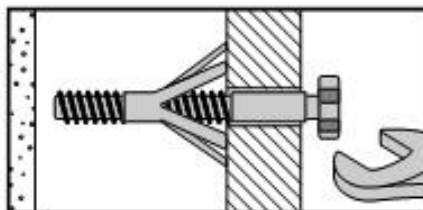
For use when attaching light loads on to plasterboard partitions.

No.3 "Cavity Fixing" wall plug



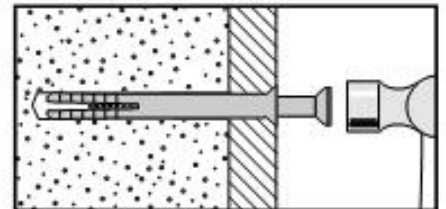
For use with plasterboard partitions or hollow wooden doors.

No.4 "Cavity Fixing-Heavy Duty" wall plug



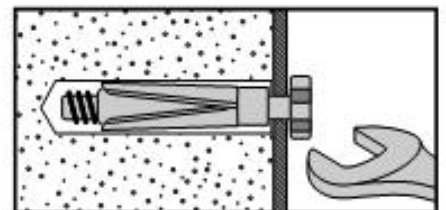
For use when fitting or supporting heavy loads such as shelving, wall cabinets and coat racks.

No.5 "Hammer Fixing" wall plug



For use with walls stuck with plasterboard. The hammer fixing allows it to be fixed to the wall rather than the plasterboard. Always check the fixing is secure to the retaining wall.

No.6 "Shield Anchor" wall plug
Heavy loads



For use with heavier loads such as TV & HiFi speakers and satellite dishes etc.



Care & Maintenance

Safety: Always check the fitting and location to ensure your safety in and around the home.

Fitting: From time to time check the fitting to ensure the wall plugs or screws do not become loose.

Dear Customer

Please note that the product you have purchased is a natural living timber.

Just like nature itself, wood varies in shape and colour. Knots, vein patterns, resin pockets and colour differences contribute to giving the piece of furniture its beauty and form - a natural part of solid wood.

Although the tree has been cut down and dried, it is still alive and therefore will react to high and low temperatures, light, humidity, drought and time.

In cold and dry periods, the wood contracts which may lead to small cracks in the piece of furniture. The reverse happens in warm and humid periods where the wood expands and this may result in slight unevenness.

The colour of the wood also changes with time, particularly if the furniture is placed in a light place. This is a natural process and part of owning a piece of furniture made of solid wood.

Any flexing that has occurred during transport will re-correct itself once this product is correctly assembled.

Tighten all joints of the furniture after six months.

Please keep these instructions in a safe place for future use.