

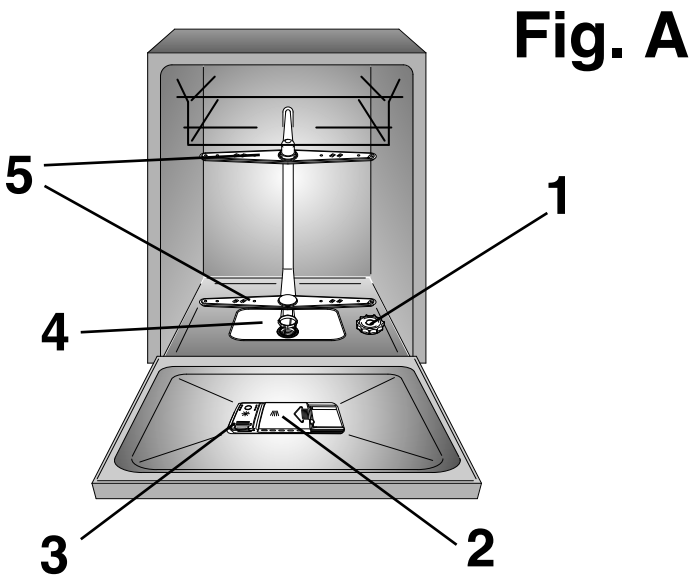
**Fully Integrated
Dishwasher**

INSTRUCTION MANUAL

Baumatic

CONTENTS

General safety rules	pag. 3
Water connection	pag. 6
Loading the salt	pag. 8
Adjusting the upper basket	pag. 9
Loading the dishes	pag. 10
Information for test laboratories	pag. 12
Loading the detergent	pag. 13
Types of detergent	pag. 14
Loading the rinse aid	pag. 15
Cleaning the filters	pag. 16
Some practical hints	pag. 17
Routine cleaning and maintenance	pag. 18
Description of the control panel	pag. 19
Technical data	pag. 19
Programme selection and special functions	pag. 20
Water softener unit	pag. 23
Programme guide	pag. 24
Identifying minor faults	pag. 26
Product fiche	pag. 28
WEEE information	pag. 29
Contact details	pag. 31



Please read the instructions in this booklet carefully because they contain important information on how to install, use and maintain your dishwasher safely as well as containing useful tips on how to make the most of it.

Keep this booklet safe for future reference.

GENERAL SAFETY RULES

■ This appliances is intended to be used in household and similar applications such as:

- staff kitchen areas in shops, offices and other working environments;

- farm houses;

- by clients in hotels, motels and other residential type environments;

- bed and breakfast type environments.

A different use of this appliance from household environment or from typical housekeeping functions, as commercial use by expert or trained users, is excluded even in the above applications.

If the appliance is used in a manner inconsistent with this it may reduce the life of the appliance and may void the manufacturer's warranty.

Any damage to the appliance or other damage or loss arising through use that is not consistent with domestic or household use (even if located in a domestic or household environment) shall not be accepted by the manufacturer to the fullest extent permitted by law.

■ This appliance can be used by children aged from 8 years and

above and persons with reduced physical, sensory or mental capabilities or lack of experience and knowledge if they have been given supervision or instruction concerning use of the appliance in a safe way and understand the hazards involved.

Children shall not play with the appliance. Cleaning and user maintenance shall not be made by children without supervision.

■ Children should be supervised to ensure that they do not play with the appliance.

■ Children of less than 3 years should be kept away unless continuously supervised.

■ Should it be necessary to replace the supply cord, call the Customer Care Department.

■ The appliance must be connected to the water mains using new hose-sets. The old hose-sets should not be reused.

■ Water pressure must be between 0,08 MPa and 0,8 MPa.

■ When the appliance is located on a carpet floor, attention must be paid to ensure that there is no obstruction to the bottom vents.

■ After installation, the appliance must be positioned so that the plug is accessible.

- For the maximum place loading, please refer to the "TECHNICAL DATA" table/section.



WARNING !

Knives and other utensils with sharp points must be loaded in the basket with their points down or placed in a horizontal position.

- The door should not be left in the open position since this could present a potential hazard (e.g. tripping).
- To consult the product fiche please refer to the relevant page in this user manual.

Safety instructions

- Make sure the electrical system is grounded. Otherwise, seek qualified professional assistance.

Manufacturer declines all responsibility for any damage due to non-earthing of the machine.

- Ensure that the dishwasher does not crush power cables.

- In general it is not advisable to use adaptors, multiple plugs and/or extension cables.

- Do not remove the plug from the mains supply socket by pulling the mains cable or the machine itself.

- Do not leave the appliance exposed to the elements (rain, sun etc).

- Leaning or sitting on the open door of the dishwasher could cause it to tip over.

- The dishwasher is designed for normal kitchen utensils. Objects that have been contaminated by petrol, paint, traces of steel or iron, corrosive chemicals, acids or alkalis must not be washed in the dishwasher.

- If there is a water softening device installed in the home there is no need to add salt to the water softener fitted in the dishwasher.

- If the appliance breaks down or stops working properly, switch it off, turn off the water supply and do not tamper with it. Repair work should only be carried out by an approved service agent and only genuine spare parts should be fitted. Any failure to follow the above advice may have serious consequences for the safety of the appliance.

- If it you need to move the machine after removing the packaging, do not try to lift it by the bottom of the door.
Open the door slightly and lift the machine by holding on the top.
- For the installation of built-in appliances, please refer to the specific chapter or to the instructions enclosed with the booklet.

By placing the  mark on this product, we are confirming compliance to all relevant European safety, health and environmental requirements which are applicable in legislation for this product.

WATER CONNECTION

IMPORTANT

The appliance must be connected to the water mains using new hose-sets. The old hose-sets should not be reused.

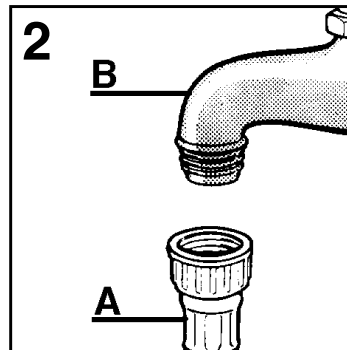
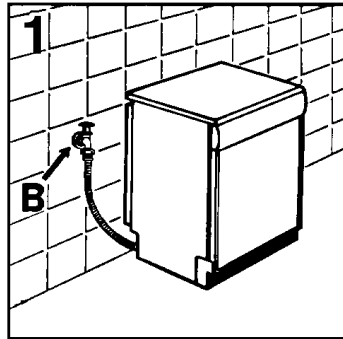
- The inlet and drain hoses can be directed to left or right.

IMPORTANT

The dishwasher can be connected to either cold or hot water, as long as it is no hotter than 60°C.

- Water pressure must be between 0,08 MPa and 0,8 MPa.
- The inlet hose must be connected to a tap so that the water supply can be cut off when the machine is not in use (fig. 1 B).
- The dishwasher is fitted with 3/4" threaded connector (fig. 2).
- Connect inlet hose "A" to water tap "B" with a 3/4" attachment making sure that it has been properly tightened.
- If it is necessary, the inlet pipe can be lengthened up to 2,5 m. The extension pipe is available from the Spares Department.

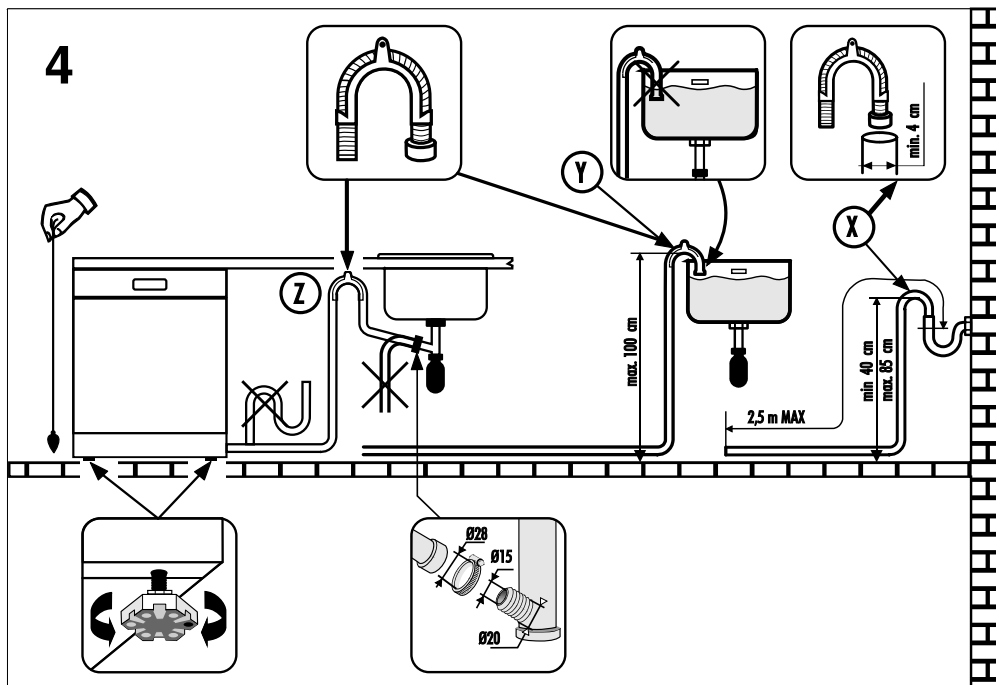
- If the dishwasher is connected to new pipes or to pipes which have not been in use for a long time run water through for a few minutes before connecting the inlet hose. In this way no deposits of sand or rust will clog up the water inflow filter.



Connecting the outlet hose

- The outlet hose should discharge into a standpipe, making sure that there are no kinks (fig. 4).
- The standpipe must be at least 40 cm above floor level and it must have an internal diameter of at least 4 cm.
- It is advisable to fit an anti-odour air trap (fig. 4X).
- If necessary the outlet hose can be extended up to 2,5 m, provided that it is kept at a maximum height of 85 cm above floor level. The extension pipe is available from the Spares Department.

- The hose can be hooked over the side of the sink, but it must not be immersed in water, in order to prevent water from being syphoned back to the machine when this is in operation (fig. 4Y).
- When installing the appliance under a worktop the hose pipe clamp must be attached to the wall in the highest possible position under the worktop (fig. 4Z).
- Check that there are no kinks in the inlet and outlet hoses.



LOADING THE SALT

- The appearance of white stains on dishes is generally a warning sign that the salt container needs filling.
- On the bottom of the machine there is a container for the salt for regenerating the softener.
- It is important to use only a salt that is specifically designed for dishwasher. Other types of salt contain small quantities of insoluble particles which over a long period of time may affect and deteriorate the softener performance.
- To add salt, unscrew the cap of the container on the bottom and then refill the container.
- During this operation a little water will overflow; but keep adding salt until the container is full. When the container is full, clean the thread of salt residue and retighten the tap.
- After filling with salt, it is recommended to run a complete wash cycle, or COLD RINSE programme to clear any residual salt from the inside of the cabinet.

IMPORTANT

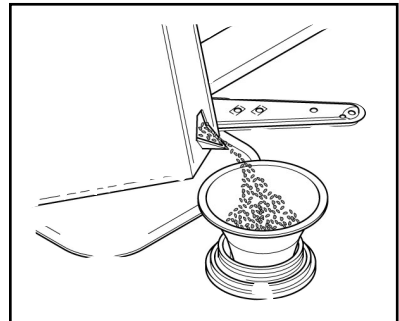
After loading the salt, YOU MUST run a complete washing cycle, or the PRE-WASH/COLD RINSE/REFRESH programme.

- The salt dispenser has a capacity of between 1.5 and 1.8 kg and, for efficient use of the appliance, it should be refilled from time to time according to the regulation of the water softener unit.

IMPORTANT

(Only for first start up)

When the appliance is used for the first time, after completely filling the salt container, it is necessary to add water until the container overflows.

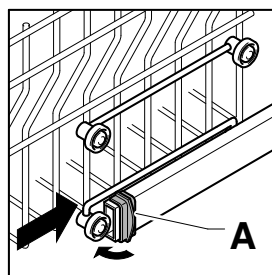
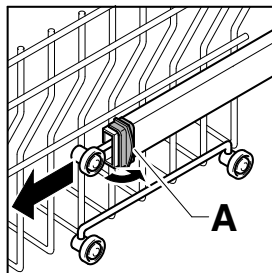


ADJUSTMENT OF THE UPPER BASKET

If 29 cm to 32.5 cm plates are normally used, load them onto the lower basket after the upper basket has been placed in its upper position and proceed as detailed below:

1. Turn the front stops "A" outwards;
2. Take out the basket and remount it in the upper position;
3. Replace the blocks "A" in their original position.

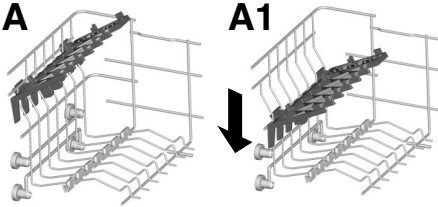
Dishes that are bigger than 20 cm in diameter can no longer be loaded onto the upper basket and the mobile supports cannot be used when the basket is in the upper position.



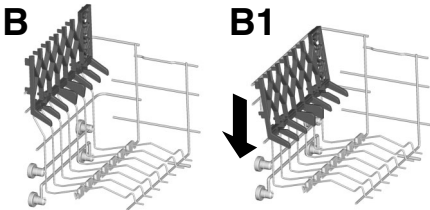
LOADING DISHES

Using the upper basket

- The upper basket is provided with mobile racks hooked to the sides of the basket, which can be regulated into 4 positions.
- In the lowered position (**A-A1**) the racks may be used for such items as: tea and coffee cups, kitchen knives and ladles. Also glasses with stems may be safely hung on the ends of the racks.



- In the upright position (**B-B1**) the racks allow you to load dinner plates and soup plates. Plates should be loaded vertically with the underside of the plate towards the back of the dishwasher with a space between each plate to allow water to pass freely.

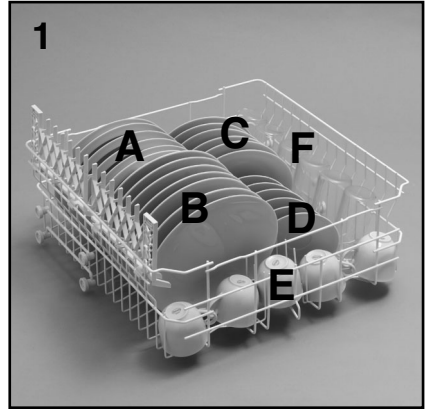


- It is advisable to load large plates (approx. 26 or more cm) slightly tilted towards the rear to facilitate introduction of the basket into the machine.
- Salad bowls and plastic bowls may also be loaded on the upper basket. It is advisable to block these in place so that the jets of water do not make them overturn.
- The upper basket has been designed to offer maximum flexibility in use and can be loaded with up to 24 plates on two rows, up to 30 glasses on five rows or a mixed load.

A standard daily load is represented in **figs. 1, 2 and 3.**

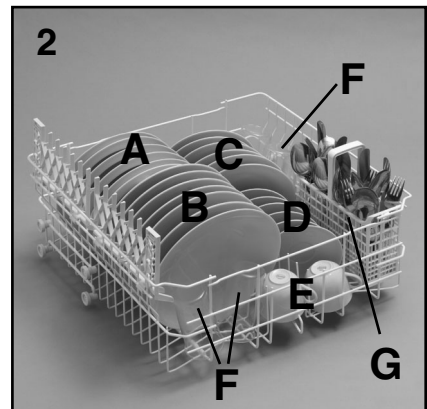
Upper basket (fig. 1)

- A = soup plates
- B = dinner plates
- C = dessert plates
- D = saucers
- E = cups
- F = glasses



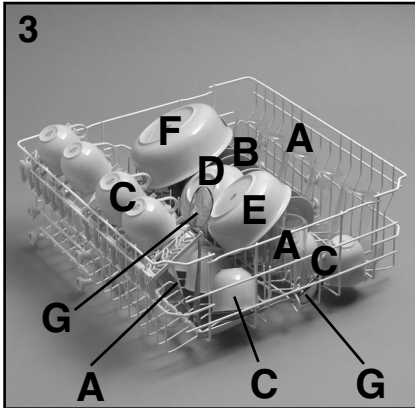
Upper basket (fig. 2)

- A = soup plates
- B = dinner plates
- C = dessert plates
- D = saucers
- E = cups
- F = glasses
- G = single section cutlery basket



Upper basket (fig. 3)

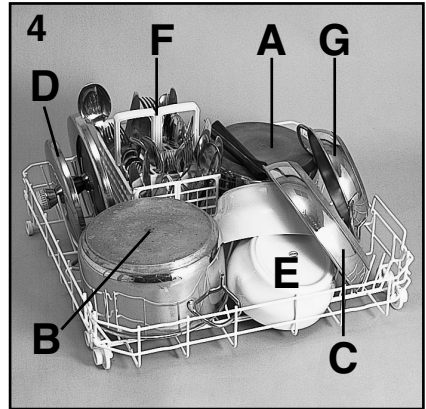
- A = glasses
- B = saucers
- C = cups
- D = small bowl
- E = medium bowl
- F = large bowl
- G = serving spoons



A standard daily load is represented in **figs. 4 and 5**.

Lower basket (fig. 4)

- A = medium-sized saucepan
- B = large saucepan
- C = frying pan
- D = lids
- E = tureens, serving dishes
- F = cutlery
- G = oven dishes



Using the lower basket

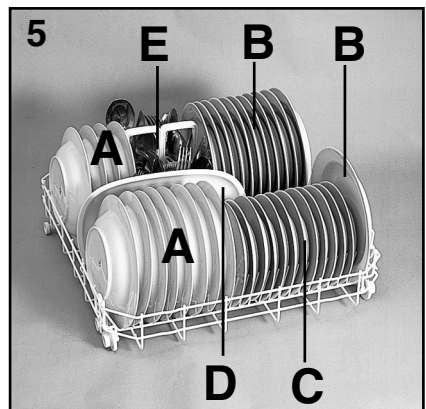
- Saucepans, oven dishes, tureens, salad bowls, lids, serving dishes, dinner plates, soup plates and ladles can be loaded on the lower basket.
- Place the cutlery in the plastic cutlery holder with the handles pointing upwards.
- Place the cutlery holder in the lower basket (**fig. 4 and 5**), making sure that the cutlery does not get in the way of the rotating arms.

IMPORTANT

The lower basket has a safety-stop device, for its safe extraction, also especially useful with a full load. For loading salt, cleaning filter and for ordinary maintenance, the complete extraction of the basket is necessary.

Lower basket (fig. 5)

- A = soup plates
- B = dinner plates
- C = dessert plates
- D = serving dish
- E = cutlery



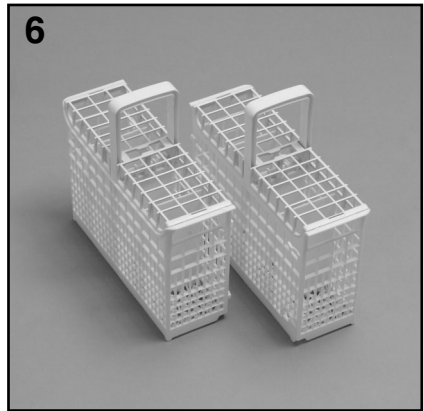
Please load the dishwasher sensibly to obtain the best wash results.

Cutlery basket (fig. 6)

The cutlery basket is made with two detachable parts which will enable various loading options.

The two parts can be detached by sliding the left section away from the right section.

The top of cutlery basket can be removed, for enable various loading options.



INFORMATION FOR THE TEST LABORATORIES

Please ask information required for comparison testing and measuring noise levels, according to EN normative, to the following address:

testinfo-dishwasher@baumatic.co.uk

In the request, please specify model name and number of the dishwasher (see rating plate).

LOADING THE DETERGENT

The detergent

IMPORTANT

It is essential to use a detergent that is specifically designed for dishwashers either in powder, liquid or tablet form.

Unsuitable detergents (like those for washing up by hand) do not contain the proper ingredients for use in a dishwasher, and stop the dishwasher from working correctly.

Filling the detergent container

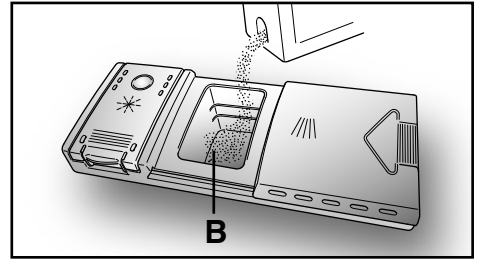
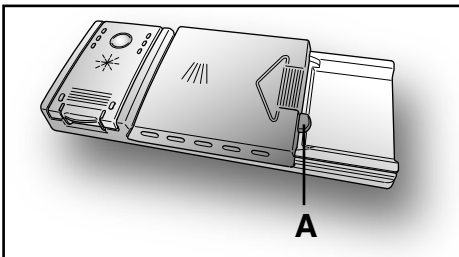
The detergent container is inside the door (fig. A "2"). If the lid of the container is closed, press the button (A) to open. At the end of every wash cycle the lid is always open and ready for the next time the dishwasher is used.



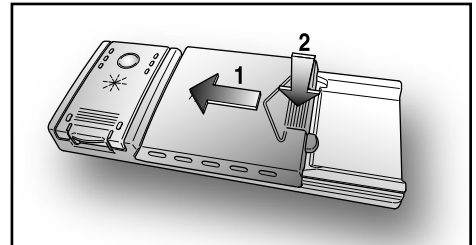
WARNING!

When loading the lower basket, please ensure that the plates or others do not obstruct the detergent dispenser.

The amount of detergent to be used varies according to how dirty the dishes are and on the type of dishes to be washed. We advise using 20:30 g of detergent in the wash section of detergent compartment (B).



After pouring the detergent into the container, close the lid, firstly pushing (1) and then pressing on it (2) until you hear the click.



Since not all detergents are the same the instructions on the boxes of detergent can vary. We should just like to remind users that too little detergent does not clean the dishes properly whilst too much detergent will not produce better results and is also a waste.

IMPORTANT

Do not use an excessive amount of detergent and help limit damage to the environment at the same time.

TYPES OF DETERGENT

Detergent tablets

Detergent tablets of different manufacturers dissolve at different speeds, for this reason, during short programmes, some detergent tablets may be not fully effective, because they are not completely dissolved. If these products are used, is recommended to choose longer programmes to guarantee the complete use of the detergent.

IMPORTANT

To get satisfactory washing results, the tablets MUST be placed in the wash section of the detergent container and NOT directly in the tub.

Concentrated detergents

The concentrated detergents, with reduced alkalinity and with natural enzymes, in conjunction with 50°C wash programmes, have a smaller impact on the environment and they protect the dishes and the dishwasher.

The 50°C wash programmes purposely exploit the dirt-dissolving properties of the enzymes, allowing therefore, with the use of the concentrated detergents, to achieve the same results of the 65°C programmes but at a lower temperature.

Combined detergents

The detergents that also contain the rinse aid must be placed in the wash section of the detergent container. The rinse aid container must be empty (if it is not empty, set the rinse aid regulator to lowest position before using combined detergents).

"ALL in 1" combined detergents

If you are planning to use "ALL in 1" ("3 in 1"/"4 in 1"/"5 in 1", etc.) combined detergents i.e. those with built in salt and/or rinse agent, we would advise the following:

- Read carefully and follow the manufacturer's instructions given on the packaging;

- The effectiveness of detergents containing the built in water softener/salt depends on the hardness of your water supply. Check that the hardness of your water supply is within the effective range given on the detergent packaging.

If when using this type of product, you don't get satisfactory washing results, please contact the detergent manufacturer.

In certain circumstances use of combined detergents can cause:

- limescale deposits on dishes or in the dishwasher;
- a reduction in washing and drying performance.

IMPORTANT

Any problems which arise as a direct result of the use of these products are not covered by our warranty.

Please note that using the "ALL in 1" combined detergents, the rinse aid and salt indicator lights (only used on selected models) are superfluous, so you must ignore the lights.

If washing and/or drying problems occur, we recommend you return to use traditional separate products (salt, detergent and rinse agent). This will ensure that the water softener in the dishwasher operates correctly.

In this case, we recommends that you:

- refill both the salt and rinse aid container;
- run one normal washing cycle without a load.

Please note that on return to the use of conventional salt, a number of cycles will be required before the system becomes fully efficient again.

LOADING THE RINSE AID

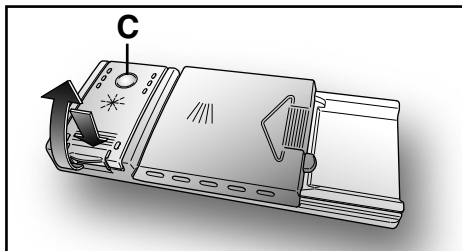
The rinse aid

The rinse aid, which is automatically released during the last rinsing cycle, helps the dishes to dry quickly and prevents spots and stains forming.

Filling the rinse aid container

The rinse aid container can be found to the left of the detergent container (**fig. A "3"**). To open the lid, push the reference mark and, in the same time, pull the tab of opening.

It is always advisable to use rinse aid that is specifically designed for dishwasher. Check the rinse aid level through the indicator eye (**C**) which is located on the dispenser.



FULL

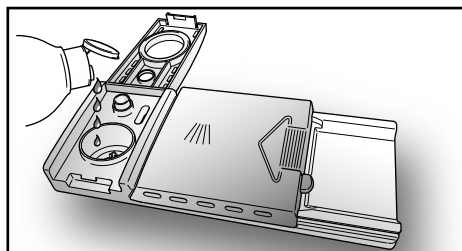


dark

EMPTY



light



Regulating the rinse aid from 1 to 6

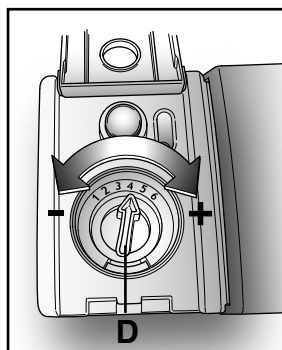
The regulator (**D**) is placed under the lid and can be turned using a coin.

The recommended position is **4**.

The limestone content of the water considerably affects the formation of limescale and the drying performance.

It is therefore important to regulate the quantity of rinse aid to achieve good washing results.

If, after the wash, streaks occur on the dishes, decrease the amount by one position. If whitish spots occur, increase the amount by one position.



CLEANING THE FILTERS

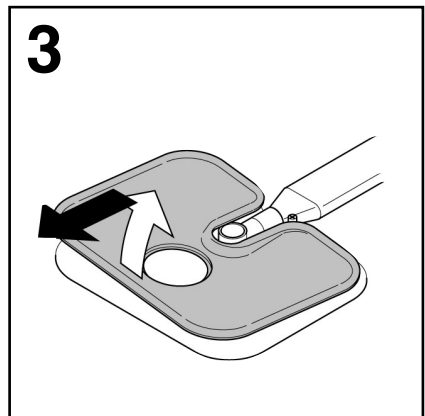
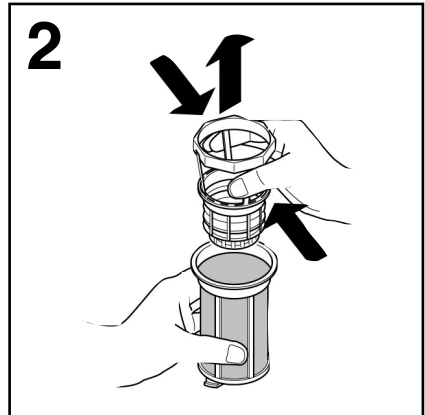
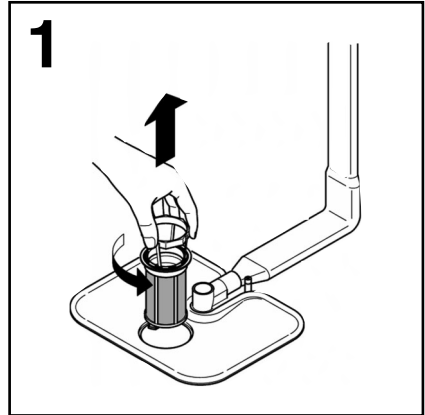
The filter system (**fig.A “4”**) consists of:

a central **container** that traps the larger particles;

a **flat gauze** that continuously filters the wash water;

a **micro filter**, located beneath the gauze, that traps the tiniest particles ensuring a perfect rinse.

- To achieve excellent results every time, the filters should be checked and cleaned after each wash.
- To remove the filter unit, simply turn the handle anticlockwise (**fig. 1**).
- For ease of cleaning, the central container is removable (**fig. 2**).
- Remove the gauze filter (**fig.3**) and wash the whole unit under a jet of water. If necessary a small brush can be used.
- With the **Self-cleaning Micro filter**, maintenance is reduced and the filter unit need only be checked every two weeks. Nevertheless, after each wash it is advisable to check that the central container and the gauze filter are not clogged.



WARNING!

After cleaning the filters, make sure that they are correctly reassembled and that the gauze filter is properly positioned at the bottom of the dishwasher.

Make sure that the filter is screwed back, clockwise, into the gauze, as poor seating of the filter unit could have an adverse effect on the efficiency of the appliance.

IMPORTANT

Never use the dishwasher without the filters.

PRATICAL HINTS

How to get really good wash results

- Before placing the dishes in the dishwasher, remove any remaining food (bones, shells, pieces of meat or vegetables, coffee grounds, skin of fruit, cigarette ash, tooth picks etc. to avoid blocking the filters, water outlet and washing arm nozzles.
- Try not to rinse the dishes before loading them into the dishwasher.
- If saucepans and oven dishes are encrusted with the remains of burnt or roast food, it is advisable to leave them to soak before washing.
- Place the dishes face downwards.
- Try to place the dishes in such a way that they are not touching one another. If they are loaded properly you will get better results.
- After loading the dishes check that the washing arms can rotate freely.
- Pans and other dishes that have particularly stubborn food particles or remnants of burnt food should be left to soak in water with dishwasher detergent.
- To wash silver properly:
 - a) rinse the silver immediately after use, especially if it has been used for mayonnaise, eggs, fish etc.;
 - b) do not sprinkle detergent onto it;
 - c) keep it separate from other metals.

How to make savings

- If you want the dishwasher to give a complete wash, place the dishes in the dishwasher at the end of each meal and if necessary turn on the COLD RINSE cycle to soften the food remains and remove bigger particles of food from the new load of dishes.
When the dishwasher is full start the complete wash cycle programme.
- If the dishes are not very dirty or if the baskets are not very full select an ECONOMY programme, following the instructions in the program list.

What not to wash

- It should be remembered that not all dishes are suitable for washing in a dishwasher. We advise against using the dishwasher to wash items in thermoplastic, cutlery with wooden or plastic handles, saucepans with wooden handles, items in aluminium, crystal, leaded glass unless otherwise stated.
- Certain decorations may fade. It is therefore a good idea before loading the whole batch to wash just one of the items first so as to be sure that others like it will not fade.
- It is a good idea not to put silver cutlery with non-stainless steel handles into the dishwasher as there could be a chemical reaction between them.

IMPORTANT

When buying new crockery or cutlery always make sure that they are suitable for washing in a dishwasher.

Useful hints

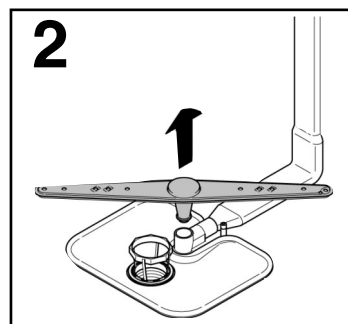
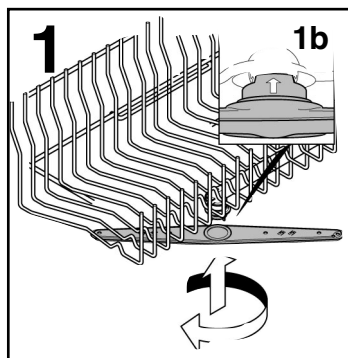
- In order to avoid any dripping from the top rack, remove the lower rack first.
- If the dishes are to be left in the machine for some time, leave the door ajar, to let some air circulate and to improve the drying performance.

CLEANING AND MAINTENANCE

- To clean the dishwasher outside, do not use solvents (degreasing action) neither abrasives, but only a cloth soaked with water.
- The dishwasher does not require special maintenance, because the tank is self-cleaning.
- Regularly wipe the door gasket with a damp cloth to remove any food remains or rinse aid.
- Dishwasher cleaning is recommended, in order to remove limestone deposits or dirt. We suggest you run a washing cycle periodically with specialist dishwasher cleaning products. For all cleaning operations the dishwasher must be empty.
- If, in spite of the routine cleaning of the filters, you notice that the dishes or pans are not properly washed or rinsed, check that all the spray heads on the rotor arms (**fig. A "5"**) are clear.

If they are blocked, clean them in the following way:

1. to remove the upper rotor arm, turn it until it lines up with the stop marked (**fig. 1**) and, keeping it pushed in, unscrew it in a clockwise direction (**to reassemble it repeat the same operation, but turn it anticlockwise**). The lower rotor arm can be removed simply by pulling it upwards (**fig. 2**);
 2. wash the rotor arms under a jet of water to clear any blockage in the spray heads;
 3. when you have finished, refit the rotor arms in the same position, remembering to re-align the arrow and screw into position.
- Both the door lining and the tank lining are in stainless steel; however, should spots caused by oxidation occur, this is probably due to a high level of iron salts presents in the water.
 - The spots can be removed with a mild abrasive agent; never use chlorine based materials, steel wool, etc.



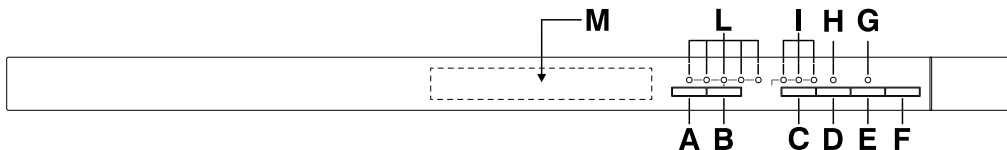
WHEN CYCLE IS FINISHED

After every wash it is essential to turn off water supply and to switch off the machine by pressing the On/Off button to the off position.

If the machine is not going to be used for some time, it is advisable to follow these rules:

1. do an empty wash with detergent in order to clean the machine of any deposits;
2. pull out the electric plug;
3. turn off the water tap;
4. fill the rinse aid container;
5. leave the door ajar;
6. keep the inside of the machine clean;
7. If the machine is left in places where the temperature is below 0°C any water left inside the pipes may freeze. Wait until the temperature rises above zero and then wait for about 24 hours before starting up the dishwasher.

DESCRIPTION OF THE CONTROL PANEL



- A** "ON/OFF" button
- B** "PROGRAMME SELECTION" button
- C** "DELAY START" button
- D** "ECO" option button
- E** "RESET" button for "SALT EMPTY" light
- F** "START"/"RESET" button (start/cancelling programme)
- G** "SALT EMPTY" light
- H** "OPTION SELECTION" light
- I** "PROGRAMME STATUS" lights/ "DELAY START" time lights
- L** "PROGRAMME SELECTION" lights
- M** Programme guide

DIMENSIONS		
Width x Height x Depth (cm)	59,8 x 81,8 ÷ 89,8 x 55	
Depth with door open (cm)	117	
TECHNICAL DATA		
EN 50242 place load	13	
Capacity with pans and dishes	8 persons	
Water supply pressure (MPa)	Min. 0,08 - Max. 0,8	
Fuse / Power input / Supply voltage	See rating plate	
CONSUMPTION (main programmes)*		
Programme	Energy (kWh)	Water (L)
INTENSIVE	2,08	20,5
UNIVERSAL	1,53	14,5
ECO	1,04	12
RAPID 29'	0,73	9
Power consumption of the off-mode and of the left-on mode: 0,45 W / 0,45 W		
*Values are measured in a laboratory according to European Standard EN 50242 (consumption may vary according to conditions of usage).		

PROGRAMME SELECTION AND SPECIAL FUNCTIONS

(Use in conjunction with programme guide)

Programme settings

- Open the door and place the dirty dishes inside the appliance.
- Press the "ON/OFF" button for about 2 seconds.
All the programme indicator lights will flash.
- Choose a programme by pressing the "PROGRAMME SELECTION" button.
The selected program indicator light will flash.
- If you wish to select an option, press the option button (the corresponding indicator light will light up).

The option button can be selected or deselected WITHIN one minute of the programme commencing.

- Press the "START" button (the selected programme indicator light will stop flashing and remain on).
- Close the door (after an audible signal has sounded, the programme will start automatically).

WITHIN one minute of the programme commencing, another programme can be selected, simply by pressing the "PROGRAMME SELECTION" button.

Programme interruption

Opening the door when a programme is running is not recommended especially during the main wash and final hot rinse phases. However, if the door is opened while a programme is running (for example, to add dishes) the machine stops automatically.
Close the door, ***without pressing any buttons***. The cycle will start from where it left off.



WARNING!

If you open the door during the drying cycle, an audible audio signal advises you that the drying cycle has not yet finished.

Changing a running programme

Proceed as follows to change or cancel a running program:



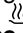
- Open the door.
- Hold the "RESET" button down for at least 3 seconds.
Some audible signals will sound and the programme indicator lights will turn on and off individually and sequentially.
- The running programme will be cancelled and all the programme indicator lights will flash.
- At this point a new programme can be set.



WARNING!

Before starting a new programme, you should check that there is still detergent in the dispenser. If necessary, top up the dispenser.

Programme operations

When a programme is running the relevant indicator light will remain on and the 3 "PROGRAMME STATUS" indicator lights ("WASH" , "RINSE" , and "DRY" ) will light ***singularly and in sequence*** to indicate the current phase.

If there is any break in the power supply while the dishwasher is operating, a special memory stores the selected programme and, when the power is restored, it continues where it left off.

Programme end

A 5 second alarm will sound (if not muted) 3 times at 30 second intervals and the programme indicator light will flash to indicate that the washing programme has finished. The dishwasher will automatically switch off.

Option buttons

"ECO" button

This button provides an energy and time saving of 25% on average (according to the select cycle) reducing the wash water temperature and the drying time during the final rinse.

This programme is recommended for lightly soiled washes, and for slightly wet dishes that are not fully dry, & improved drying results. We advise you to leave the door of the Dishwasher half-open at the end of the cycle, to allow for a natural circulation of air inside the dishwasher.

Salt empty indicator

This model is provided with an indicator light on the control panel which will light up when it is necessary to reload the salt container.

The appearance of white stains on dishes is generally a warning sign that the salt container needs filling.

"RESET" button for "SALT EMPTY" light

After filling the salt container, you should press this button for a few seconds, until the corresponding indicator light switches off.



WARNING!

If you press the reset button without filling the salt container, this will interfere with the correct functioning of the salt indicator light.

IMPORTANT

In order to guarantee the correct functioning of the salt indicator light, YOU MUST ALWAYS FULLY REPLENISH THE SALT CONTAINER.

"DELAY START" button

The dishwasher start time can be set with this button, delaying the start by 3, 6 or 9 hours.

Proceed as follows to set a delayed start:

- Choose a programme by pressing the **"PROGRAMME SELECTION"** button.
- Press the **"DELAY START"** button (each time the button is pressed the start will be delayed by 3, 6 or 9 hours respectively and the corresponding time indicator light will illuminate).
- To start the countdown, press the **"START"** button (the set time indicator light will start to flash).

If a 9 hour delay is set, countdown will be displayed by the **6h** indicator light after 3 hours and the **3h** indicator light after 6 hours.

At the end of the last 3 hours (at the end of countdown) the **3h** indicator light will stop flashing and remain on to indicate the washing phase and the programme will start automatically.

If countdown has not ended, whereby the programme has not yet started, it is possible to change or cancel the delayed start and select another programme or to select/deselect the option button, proceeding as follows:

- Hold the **"RESET"** button down for at least **3** seconds.
Some audible signals will sound and the programme indicator lights will turn on and off individually and sequentially.
- The delayed start and the selected programme will be cancelled.
The programme indicator lights will flash.
- Press the **"DELAY START"** button to set another delayed start time (the corresponding indicator light will turn on).
- A new programme can be set after a delayed time has been changed or cancelled or an option button can be selected or deselected.

Alarm mute for the PROGRAMME END

The alarm for the programme end may be muted as follows:

IMPORTANT
The dishwasher must ALWAYS be off before start of this procedure.

1. Hold down the "**PROGRAMME SELECTION**" button and at the same time **switch on** the dishwasher by pressing the "**ON/OFF**" button (a brief audible signal will sound).
2. Keep the "**PROGRAMME SELECTION**" button pressed for at least **15** seconds (during this time, **2** audible signals will sound).
3. Release the button when the **second** audible signal sounds (3 "**PROGRAMME SELECTION**" indicator lights will come on).
4. Press the same button again: the 3 indicator lights (which indicate that the alarm is activated) will start flashing (to indicate that the alarm is off).
5. Turn off the dishwasher by pressing the "**ON/OFF**" button to confirm the new setting.

To turn the alarm on again, follow the same procedure.

Memorization of the last programme used

The last programme used can be memorized by following the below:

IMPORTANT
The dishwasher must ALWAYS be off before start of this procedure.

1. Hold down the "**PROGRAMME SELECTION**" button and at the same time **switch on** the dishwasher by pressing the "**ON/OFF**" button (a brief audible signal will sound).

2. Keep the "**PROGRAMME SELECTION**" button pressed for at least **30** seconds (during this time, **3** audible signals will sound).
3. Release the button when the **THIRD** audible signal sounds (all the indicator lights will flash).
4. Press the same button again: the flashing indicator light (memorization off) will stop flashing and remain on (memorization on).
5. Turn off the dishwasher by pressing the "**ON/OFF**" button to confirm the new setting.

To disable the memorization, follow the same procedure.

Fault signals

If malfunctions or faults occur when a programme is running the indicator light that corresponds to the selected cycle will flash rapidly and the alarm sounds. In this event, turn the dishwasher off by pressing the "**ON/OFF**" button.

After checking to make sure the water inlet hose tap is open, that the drain hose is not bent and that the siphon or filters are not clogged, set the selected programme again.

If the anomaly persists, contact the Customer Care Department.

IMPORTANT
This dishwasher is equipped with an anti-overflow safety device which will automatically discharge any excess water should a problem occur.



WARNING!
To ensure the correct operation of the anti-overflow safety device, we recommend that the dishwasher is not moved or tilted during operation. If however it is necessary to tilt or move the dishwasher, please ensure that the washing cycle is complete and that there is no remaining water inside the dishwasher.

WATER SOFTENER UNIT

Depending on the source of the supply, water contains varying amounts of limestone and minerals which are deposited on the dishes leaving whitish stains and marks. The higher the level of these minerals present in the water, the harder the water is. The dishwasher is fitted with a water softener unit which, through the use of special regenerating salt, supplies softened water for washing the dishes. The degree of hardness of your water can be obtained from your water supply company.

Regulating the water softener

The softener unit can treat water with a hardness of up to 90°FH (French grading) or 50°dH (German grading) through 6 different settings.

The table below lists different degrees of water hardness with the corresponding setting for the softener unit.

Level	Water hardness		Use of regenerating salt	Water softener setting
	°FH (French grading)	°dH (German grading)		
0	0-5	0-3	NO	No indicator lights
1	6-15	4-9	YES	Indicator light 1
2	16-30	10-16	YES	Indicator lights 1,2
*3	31-45	17-25	YES	Indicator lights 1,2,3
4	46-60	26-33	YES	Indicator lights 1,2,3,4
5	61-90	34-50	YES	Indicator lights 1,2,3,4,5 flashing

*** The water softener unit is set in the factory at level 3, as this is suitable for the majority of users.**

According to the degree of hardness of your water, regulate the softener unit in the following way:

IMPORTANT

The dishwasher must ALWAYS be off before start of this procedure.

1. Hold down the "**PROGRAMME SELECTION**" button and at the same time **switch on** the dishwasher by pressing the "**ON/OFF**" button (a brief audible signal will sound).
2. Keep the "**PROGRAMME SELECTION**" button pressed for at least **5 seconds**, **UNTIL** an audible signal sounds. Some "**PROGRAMME SELECTION**" indicator lights will come on to indicate the current water softener setting level.
3. Press the same button again to select the required water softener level: each time the button is pressed, one indicator light will come on (the water softener level is indicated by the number of lights on). For **level 0** all lights will be off.
4. Turn off the dishwasher by pressing the "**ON/OFF**" button to confirm the new setting.








WARNING!

If any problem occurs, turn the dishwasher off by pressing the "ON/OFF" button and start the procedure again from the beginning (STEP 1).

PROGRAMME GUIDE

Programme	Description
-----------	-------------

P1	 75°C	Intensive	Once a day - for heavily soiled pans and any other items that have been left all day for washing.
P2	 60°C	Universal	Once a day - for normally soiled pans and any other items that have been left all day for washing.
P3	 eco 45°C	Eco	Programme for normally soiled tableware (the most efficient in terms of its combined energy and water consumption for that type of tableware). Programme standardised to EN 50242.
P4	 R ^{29'} 50°C	Rapid 29'	A quick wash for dishes which are to be washed immediately after the meal. Wash load of 6 persons.
P5		Refresh	Short cold pre-wash for items that are stored in the dishwasher until you are ready to wash a full load.

Wash with prewash

For wash programmes with prewash, it is advisable to add a second dose of detergent (max. 10 g) directly in the machine.

Check list					Programme contents						Average duration in minutes	Special function buttons available	
Detergent for soaking (Prewash)	Detergent for washing	Clean filter	Check rinse aid dispenser	Check salt container	Hot pre-wash	Cold pre-wash	Main wash	First cold rinse	Second cold rinse	Hot rinse with rinse aid	With cold water (15°C) -Tolerance ± 10%-	"DELAY START" button	"ECO" button

●	●	●	●	●	○		75°C	○	○	○	130	YES	YES
	●	●	●	●		○	60°C	○		○	120	YES	YES
●	●	●	●	●		○	45°C			○	190	YES	YES
	●	●	●	●			50°C			○	29	YES	N/A
		●				○					5	YES	N/A

N/A= OPTION NOT AVAILABLE

IDENTIFYING MINOR FAULTS

Should the dishwasher fail to operate, before contacting the Service Centre, make the following checks:

FAULT	CAUSE	REMEDY
1 - Machine completely dead	Plug is not connected to wall socket	Connect electric plug
	O/I button has not been pressed	Press button
	Door is open	Close door
	No electricity	Check the fuse in the plug and the electricity supply
2 - Machine does not draw water	See causes for no. 1	Check
	Water tap is turned off	Turn water tap on
	Programme selector is not at correct position	Turn programme selector to correct position
	The inlet hose is bent	Eliminate the bends in the hose
	The inlet hose filter is not correctly connected	Clean the filter at the end of the hose
3 - Machine does not discharge water	Filter is dirty	Clean filter
	Outlet hose is kinked	Straighten outlet hose
	The outlet hose extension is not correctly connected	Follow the instructions for connecting the outlet hose carefully
	The outlet connection on the wall is pointing downwards not upwards	Call a qualified technician
4 - Machine discharges water continuously	Position of outlet hose is too low	Lift outlet hose to at least 40 cm above floor level
5 - Spray arms are not heard to rotate	Excessive amount of detergent	Reduce amount of detergent Use suitable detergent
	Item prevents arms from rotating	Check
	Plate and cup filter very dirty	Clean plate and cup filter
6 - On electronic appliances without a display: one or more LED flashing quickly.	Water inlet tap turned off	Switch off the appliance. Turn on the tap. Re-set the cycle.

FAULT	CAUSE	REMEDY
7 - Load of dishes is only partially washed	See causes for no. 5	Check
	Bottom of saucepans have not been washed well	Burnt on food remains must be soaked before putting pans in dishwasher
	Edge of saucepans have not been washed well	Reposition saucepans
	Spray arms are partially blocked	Remove spray arms by unscrewing ring nuts clockwise and wash under running water
	The dishes have not been properly loaded	Do not place the dishes too closely together
	The end of the outlet hose is in the water	The end of the outlet hose must not come into contact with the outflow water
	The incorrect amount of detergent has been measured out; the detergent is old and hard	Increase the measure according to how dirty the dishes are and change detergent
	The wash programme is not thorough enough	Choose a more vigorous programme
	The lower basket dishes have not been washed	Depress half load button
8 - Detergent not dispensed or partially dispensed	Cutlery, dishes, pans, etc... stop the detergent dispenser opening	Position dishes not to obstruct the dispenser
9 - Presence of white spots on dishes	Water is too hard	Check salt and rinse aid level and regulate amount. Should the fault persist, Contact Service Centre
10 - Noise during wash	The dishes knock against one another	Re-check loading of dishes in the basket
	The revolving arms knock against the dishes	Again re-check loading
11 - The dishes are not completely dry	Inadequate air flow	Leave the dishwasher door ajar at the end of the wash program to allow the dishes to dry naturally
	Rinse aid missing	Fill the rinse aid dispenser

N.B.: Should any of the situations occur and should the machine give a bad wash performance, it is necessary to remove the deposits from the dishes by hand since the final drying cycle hardens the deposits which a second wash in the machine would not be able to remove.

If the malfunction continues contact the Customer Care Department, quoting the model and serial number of the dishwasher. This is found on the rating label on the inside of the dishwasher door at the top or on the guarantee.

This information will make it possible to take more effective action more quickly.

The manufacturers decline any responsibility for any printing mistakes in this instruction booklet. They also reserve the right to modify their own appliances as necessary without altering the essential characteristics.

Product fiche pursuant to Delegated Regulation (EU) no. 1059/2010

Brand	BAUMATIC
Model description	BDI 1L38-80
Built-in / Free standing	FULL-INTEGRATED
Number of plate settings	13
Energy efficiency class - NEW (2010/30/EC)	A+
Energy consumption annual (kWh/annum) - NEW (2010/30/EC) (1)	295
Energy consumption (kWh)	1,04
Power consumption in left-on mode	0,45 W
Power consumption in off-mode	0,45 W
Water consumption annual (l/annum) - NEW (2010/30/EC) (2)	3120
Drying performance (efficiency class)	A
Reference programme (3)	ECO
Total cycle time of reference programme (min)	190
Duration of the left-on mode	--
Noise level (dB (A) re 1 pW - sound power)	53

- 1) The information on the label and fiche relates to the standard cleaning cycle, this programme is suitable to clean normally soiled tableware and it is the most efficient programme in terms of combined energy and water consumption. The standard cleaning cycle corresponds to the Eco cycle.
- 2) Based on 280 standard cleaning cycles using cold water fill and the consumption of the low power modes. Actual energy consumption depends on how the appliance is used.
- 3) Based on 280 standard cleaning cycles. Actual energy consumption depends on how the appliance is used.

This appliance is marked according to the European directive 2012/19/EU on Waste Electrical and Electronic Equipment (WEEE).

WEEE contains both polluting substances (which can cause negative consequences for the environment) and basic components (which can be re-used). It is important to have WEEE subjected to specific treatments, in order to remove and dispose properly all pollutants, and recover and recycle all materials.

Individuals can play an important role in ensuring that WEEE does not become an environmental issue; it is essential to follow some basic rules:



- WEEE should not be treated as household waste;

- WEEE should be handed over to the relevant collection points managed by the municipality or by registered companies. In many countries, for large WEEE, home collection could be present.

In many countries, when you buy a new appliance, the old one may be returned to the retailer who has to collect it free of charge on a one-to-one basis, as long as the equipment is of equivalent type and has the same functions as the supplied equipment.

Baumatic®

Unit 11, Beacontree Plaza
Gillette Way
Reading
RG2 0BS

Customer Care Telephone: (0884) 692 3605

Spare Parts Telephone: (0884) 692 3606

www.baumatic.co.uk

Baumatic