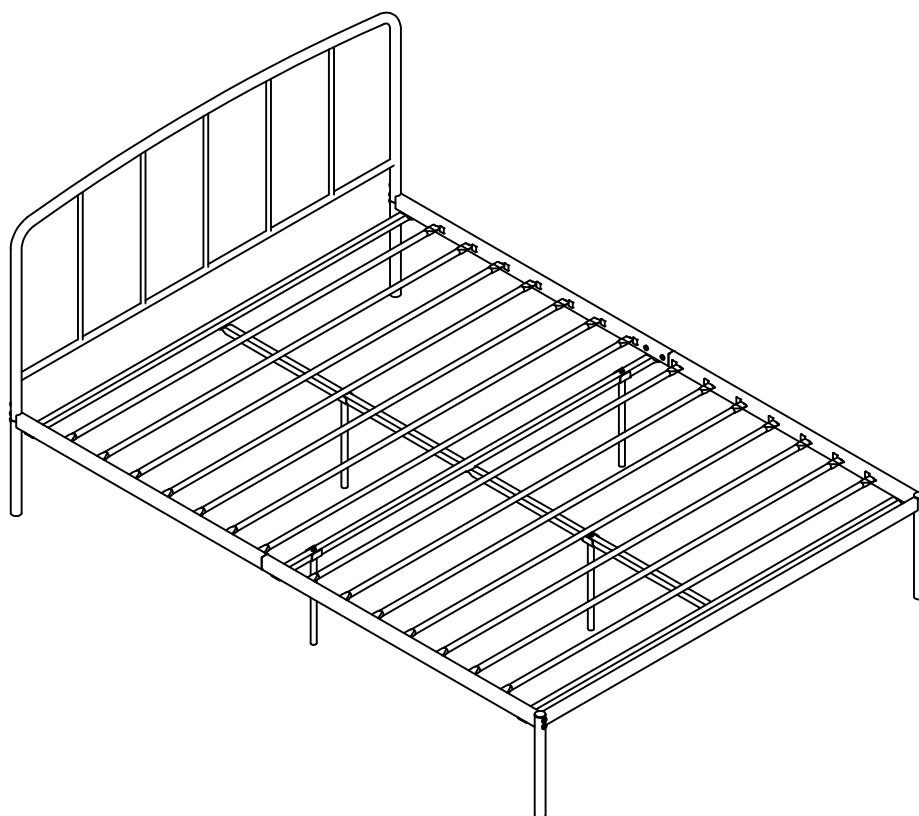


FREJA 4FT6 BED

IMPORTANT – READ CAREFULLY – RETAIN FOR FUTURE REFERENCE

8046080

H O
M E
BY ARGOS



Dimensions

Width - 141cm

Depth - 194.8cm

Height - 95.2cm

Important - Please read these instructions fully before starting assembly

If you need have damaged or missing parts, call the **Customer Helpline:**
Argos = 0345 6400800



Safety and Care Advice

Important - Please read these instructions fully before starting assembly

- Check you have all the components and tools listed on the following pages.
- Remove all fittings from the plastic bags and separate them into their groups.
- Keep children and animals away from the work area, small parts could choke if swallowed.
- Parts of the assembly will be easier with 2 people.
- Make sure you have enough space to layout the parts before starting.
- Assemble the item as close to its final position (in the same room) as possible.
- Dispose of all packaging carefully and responsibly.
- Place the product on flat and steady surface during use.
- Assemble on a soft level surface to avoid damaging the unit or your floor.
- Keep these instructions for further use.
- To ensure an easier assembly we strongly advise that all fittings are only finger tightened during initial assembly. Only upon completion of the assembly should all fixing points be fully tightened.

Care and maintenance

- Only clean using a damp cloth and mild detergent, do not use bleach or abrasive cleaners.
- From time to time check that there are no loose screws on this unit.
- This product should not be discarded with household waste. Take to your local authority waste disposal center.

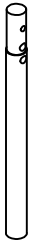
Handy Hints

- Assemble all parts and bolts loosely during assembly, only once the product is complete should you fully tighten the bolts
- Regularly check and ensure that all bolts and fittings are tightened properly.

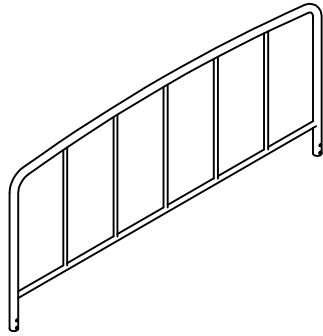
Components - Panels

If you have damaged or missing components, call the
Customer Helpline: Arges = 0345 6400800

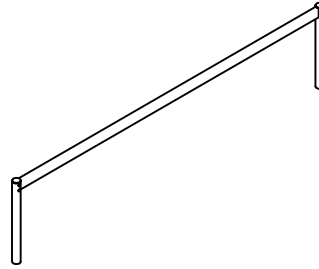
Please check you have all the panels listed below



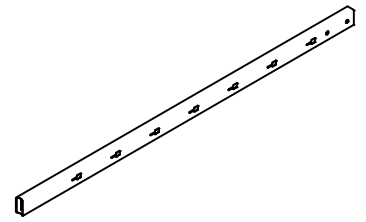
1 Post x 2
(36.7 x 2.8cm)



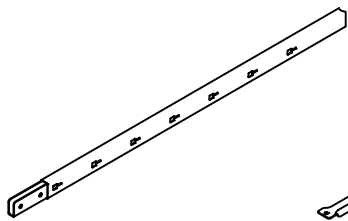
2 Headboard
(141.8 x 65cm)



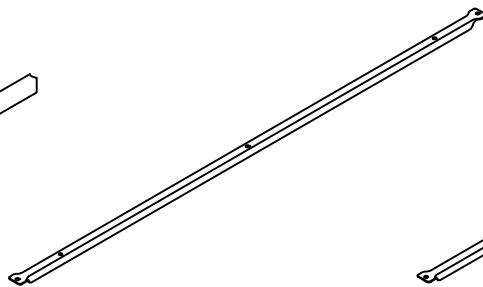
3 Footboard
(141.8 x 32.2cm)



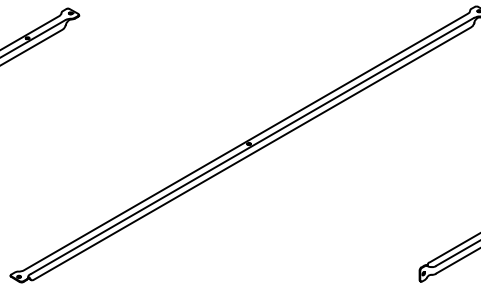
7 Side Rail 01 x 2
(100 x 4cm)



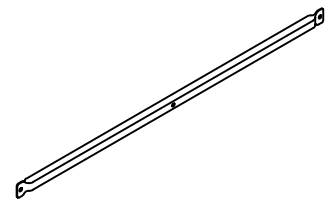
8 Side Rail 02 x 2
(100 x 4cm)



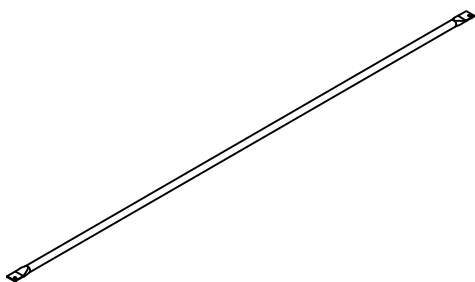
9 Brace 01 (141 x 2cm)



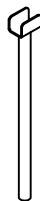
10 Brace 02 x 2 (141 x 2cm)



11 Brace x 2 03 (92.4 x 2cm)



12 Slats x 14 (138.7 x 1.6cm)



13 Leg x 2 (29.8 x 3.6cm)



14 Leg x 2 (28.6 x 3.6cm)

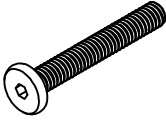
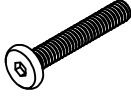





15 Plastic Plug x 28

Components - Fittings

Please check you have all the panels listed below

Note: The quantities below are the correct amount to complete the assembly. In some cases more fittings may be supplied are required.

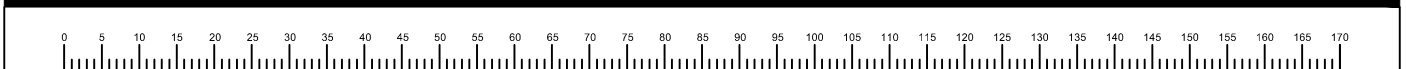
<p>A</p>  <p>50mm Bolt x 8</p>	<p>B</p>  <p>38mm Bolt x 4</p>	<p>C</p>  <p>22mm Bolt x 6</p>
<p>D</p>  <p>17mm Bolt x 9</p>	<p>E</p>  <p>Allen Key x 1</p>	

Tools required



Ruler/tape
measure

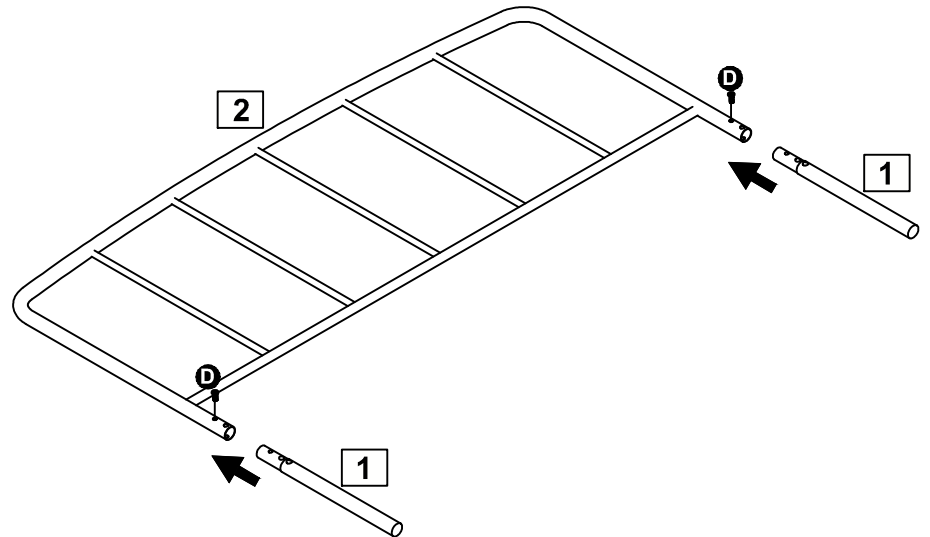
Ruler - User this ruler to help correctly identify the screws



Assembly Instructions

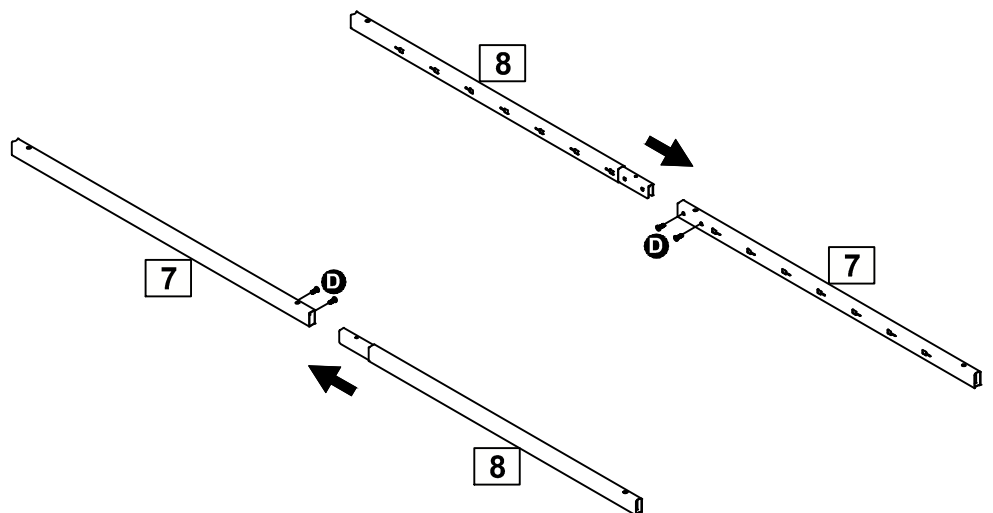
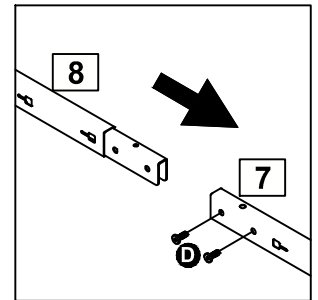
Step 1

Insert post **1** x 2 into headboard **2** with **D**.



Step 2

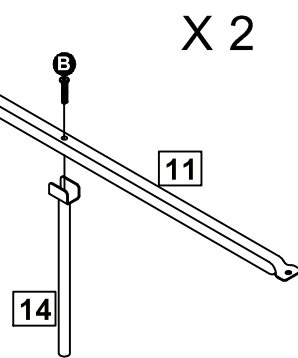
Insert side rail 02 **8** x 2 into side rail 01 **7** x 2 with **D**.



Assembly Instructions

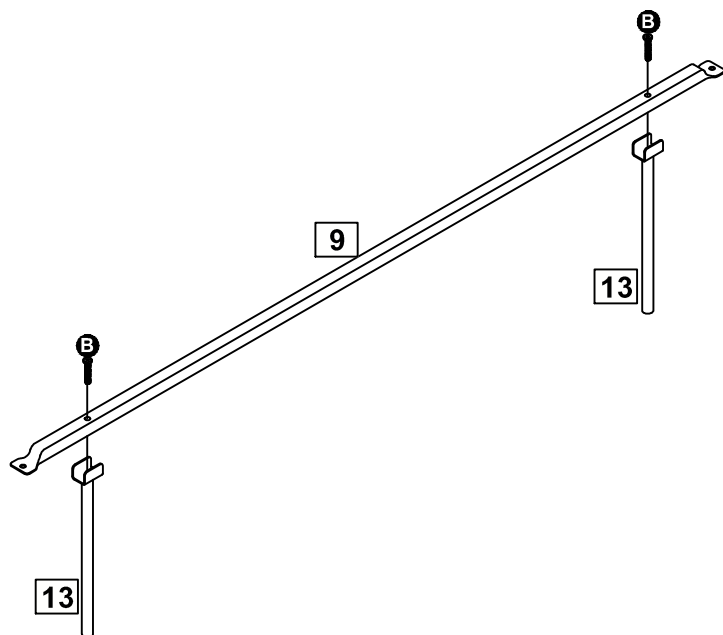
Step 3

Attach brace 03 **11** to leg **14** with **B**.



Step 4

Attach brace 01 **9** to leg **13** x 2 with **B**.

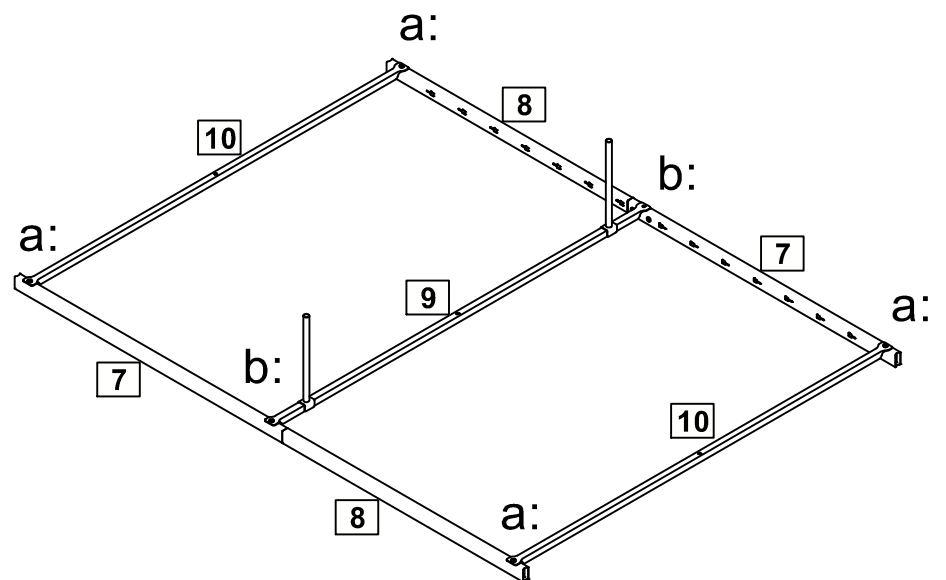
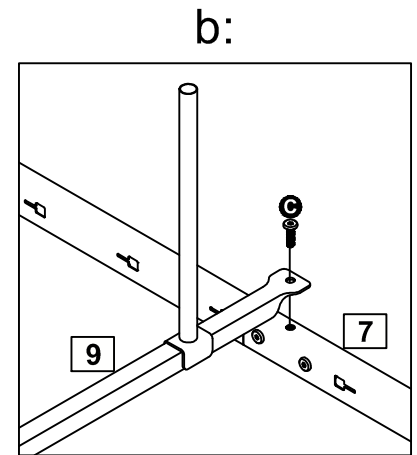
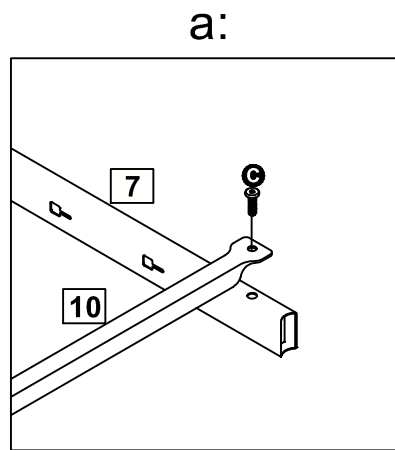


Assembly Instructions

Step 5

a: Attach brace 02 **10** x 2 to sub-assembly **7/8** x 2 from previous step with **C**.

b: Attach brace 01 **9** to side rail 01 **7** x 2 with **C**.

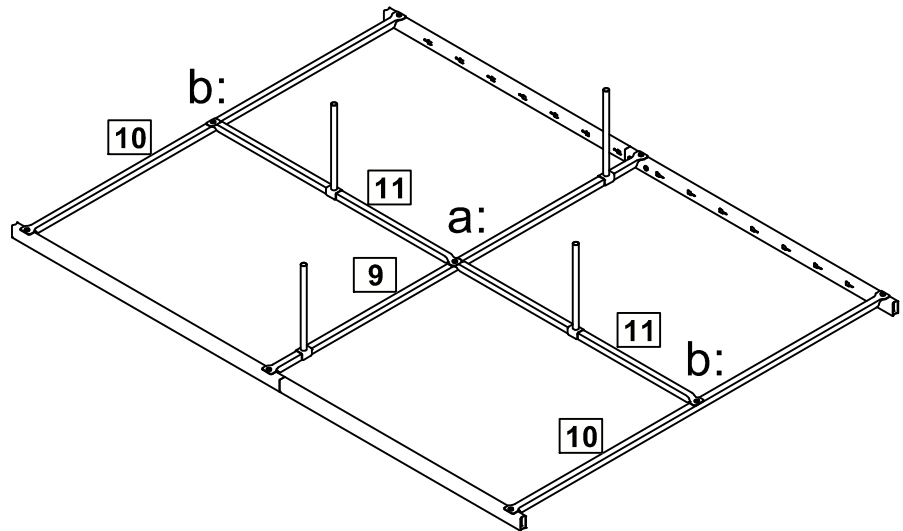
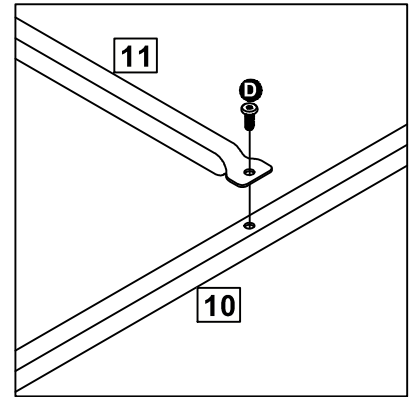
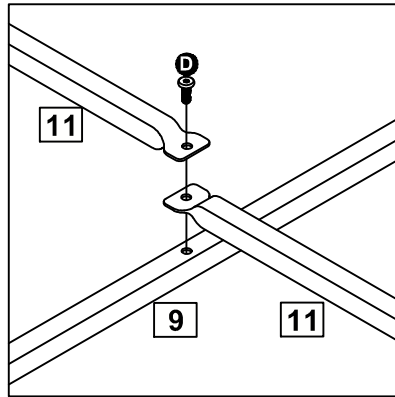


Assembly Instructions

Step 6

a: Attach brace 03 **11** x 2 to brace 01 **9** with **D**.

b: Attach brace 03 **11** to brace 02 **10** x 2 with **D**.

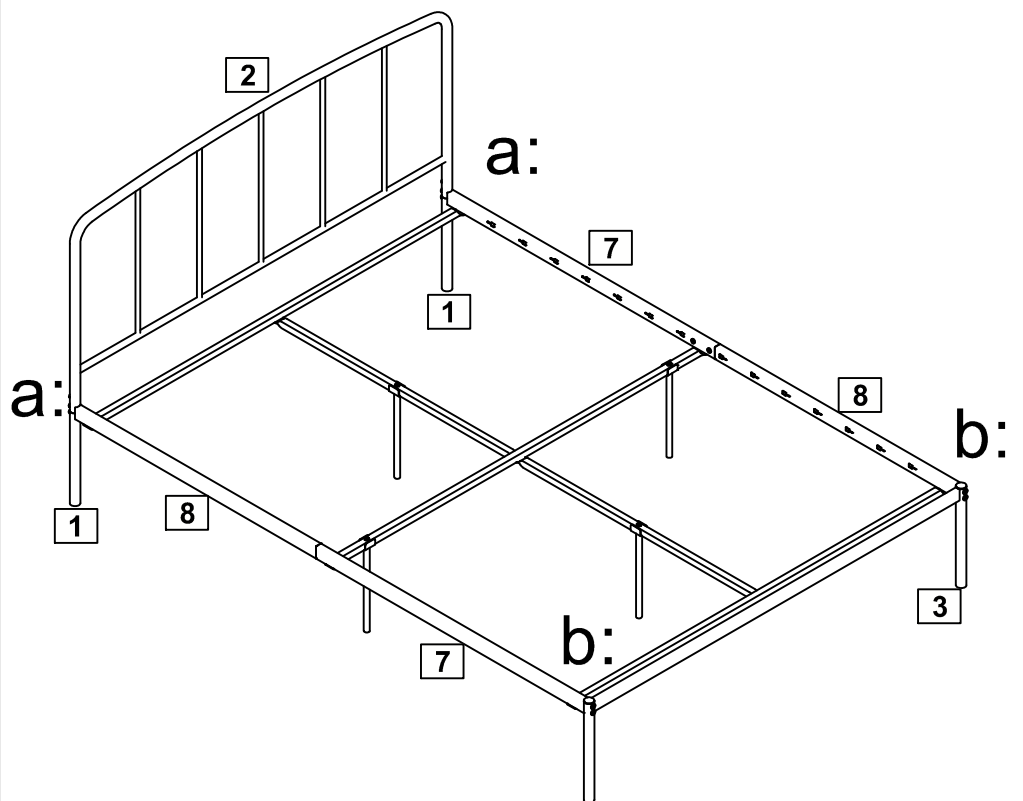
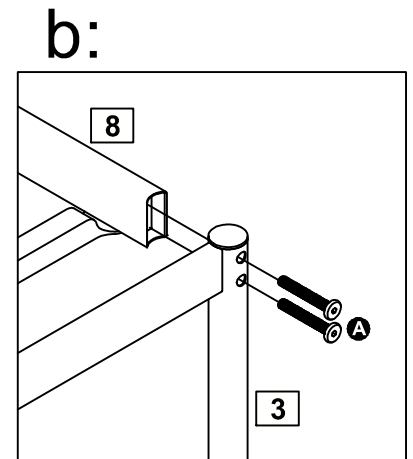
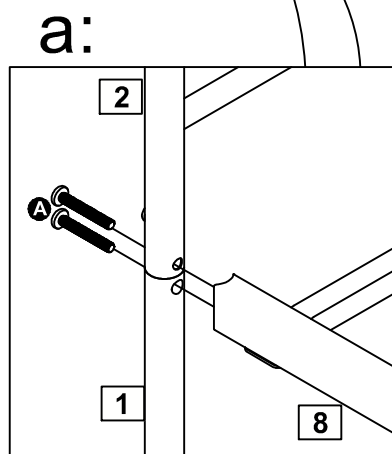
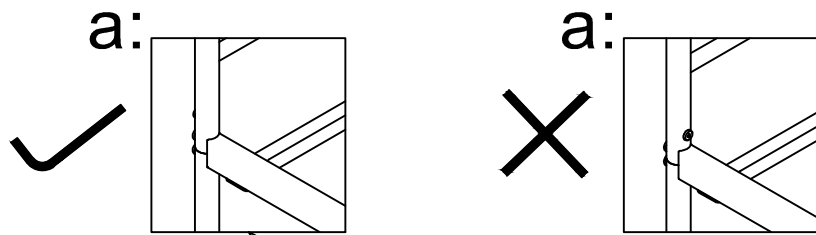


Assembly Instructions

Step 7

a: Attach sub-assembly side rail 01 **7** /side rail 02 **8** from previous step to post **1** and headboard **2** with **A**.

b: Attach sub-assembly side rail 01 **7** /side rail 02 **8** from previous step to footboard **3** with **A**.

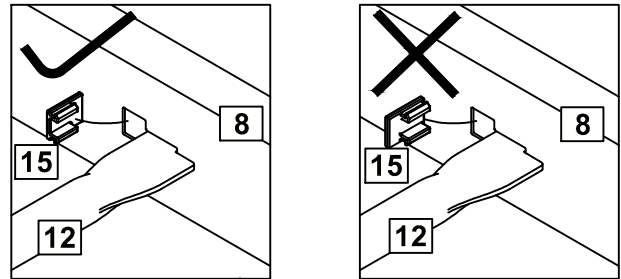


Assembly Instructions

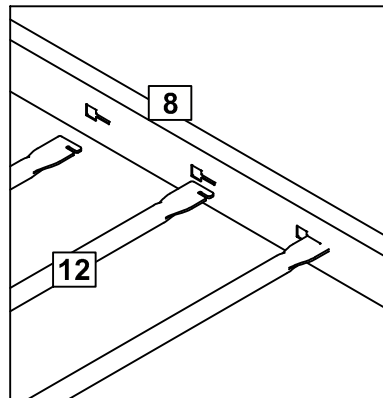
Step 8

a: Secure the slats **12** to the side rail 01 **7** and side rail 02 **8**.

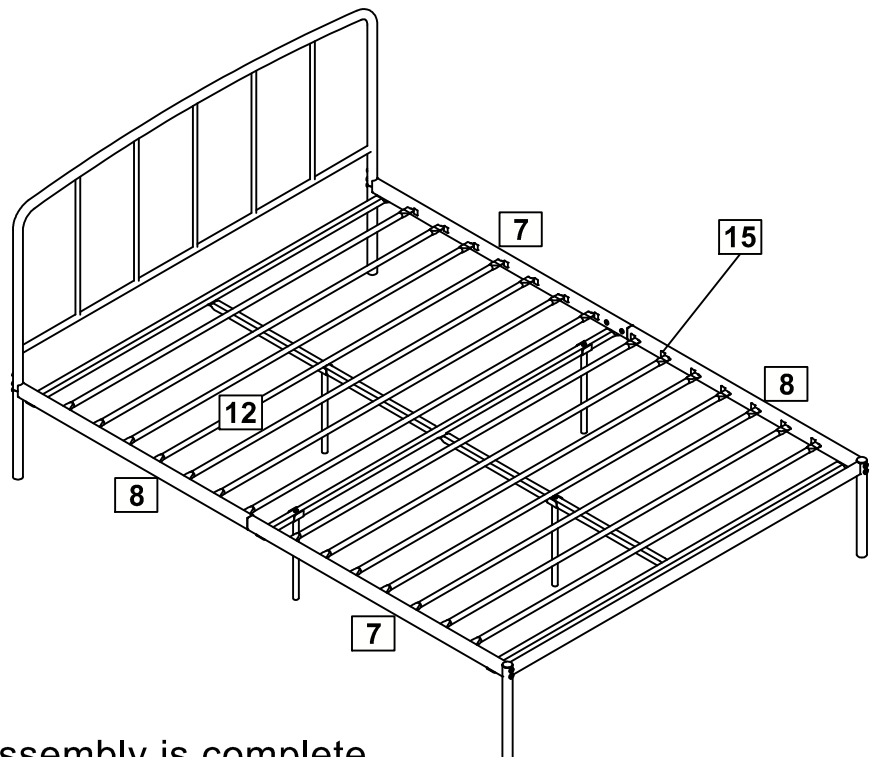
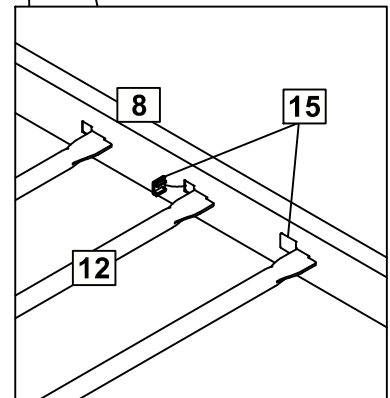
b: Secure the plastic plug **15** to the side rail 01 **7** and side rail 02 **8**.



a:



b:



Assembly is complete