

# Maine 2 Door 1 Drawer Sideboard

Assembly Instructions - Please keep for future reference

461/3369

464/6989

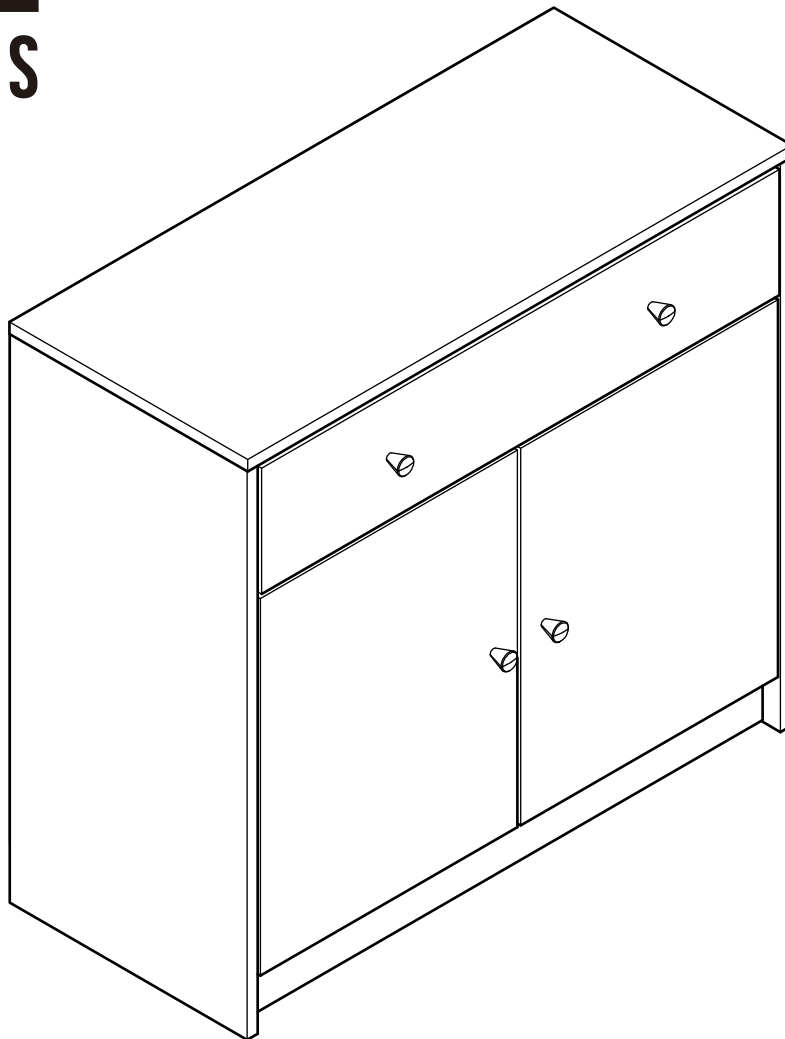
464/3724

803/2991

798/9409

803/3093

**H O**  
**M E**  
**BY ARGOS**



## Dimensions

Width - 80cm

Depth - 35.5cm

Height - 74cm

**Important - Please read these instructions fully before starting assembly**

If you need help or have damaged or missing parts, call the **Customer Helpline:**  
**Argos = 0345 6400800**



# Safety and Care Advice

## Important – Please read these instructions fully before starting assembly

- Check you have all the components and tools listed on the following pages.
- Remove all fittings from the plastic bags and separate them into their groups.
- Keep children and animals away from the work area, small parts could choke if swallowed.
- Make sure you have enough space to layout the parts before starting.

- During assembly do not stand or put weight on the product, this could cause damage.
- Assemble the item as close to its final position (in the same room) as possible.
- Assemble on a soft level surface to avoid damaging the unit or your floor.
- Parts of the assembly will be easier with 2 people.



- To reduce the likelihood of damaging your product please ensure that your power drill is set on a low torque setting.

## Care and maintenance

- Only clean using a damp cloth and mild detergent, do not use bleach or abrasive cleaners.
- From time to time check that there are no loose screws on this unit.
- This product should not be discarded with household waste. Take to your local authority waste disposal centre.

## Handy Hints

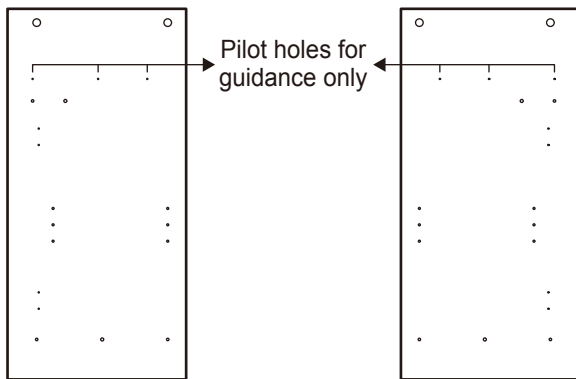
- Regularly check and ensure that all bolts and fittings are tightened properly.

**Note:** if required the next page can be cut out and used as reference throughout the assembly. Keep this page with these instructions for future reference.

# Components - Panels

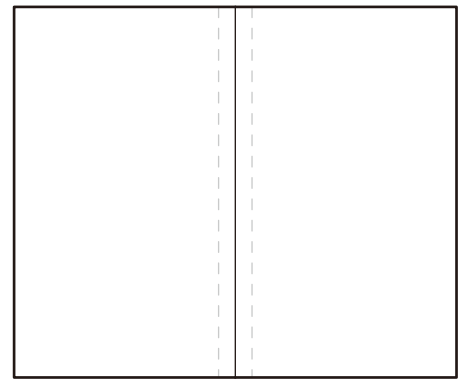
If you have damaged or missing components, call the Customer Helpline: Argos = 0345 6400800

Please check you have all the panels listed below

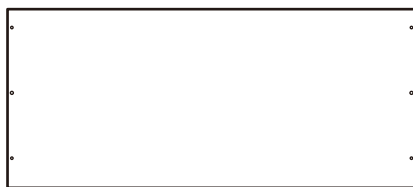


**1** Left panel (34.9 x 72.4cm)

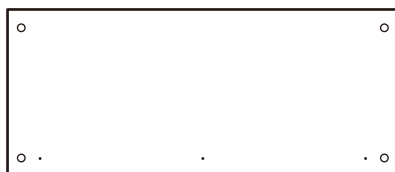
**2** Right panel (34.9 x 72.4cm)



**3** Back panel (79.4 x 66.5cm)



**4** Top panel (80.1 x 35cm)



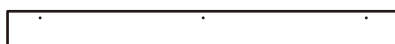
**5** Bottom panel (76.8 x 32.3cm)



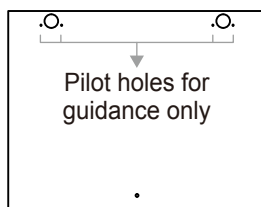
**6** Shelf (76.8 x 30cm)



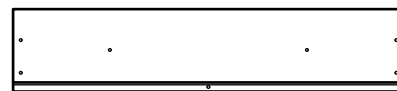
**7** Middle panel (76.8 x 11cm)



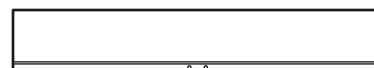
**8** Front panel (76.8 x 7cm)



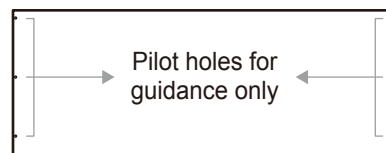
**9** Door panel x 2 (48 x 37.8cm)



**10** Drawer front panel (76.1 x 16cm)

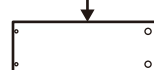


**11** Drawer back panel (71.9 x 11.8cm)



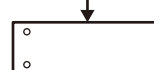
**12** Drawer bottom panel (74.3 x 28.6cm)

Finished front edge

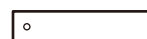


**13** Drawer left panel (29 x 10.1cm)

Finished front edge



**14** Drawer right panel (29 x 10.1cm)












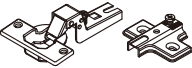
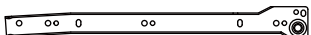
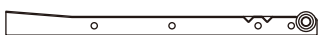



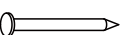



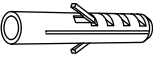


**15** Drawer support (27.7 x 6cm)



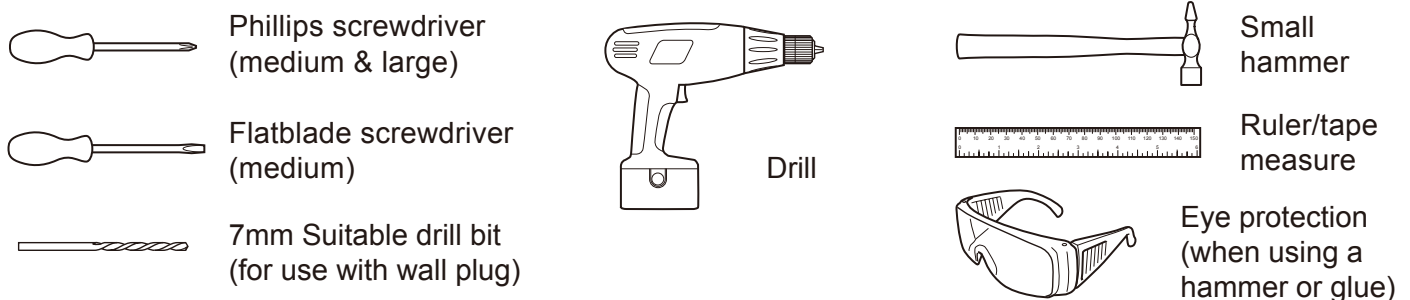
# Components - Fittings

Please check you have all the fittings listed below

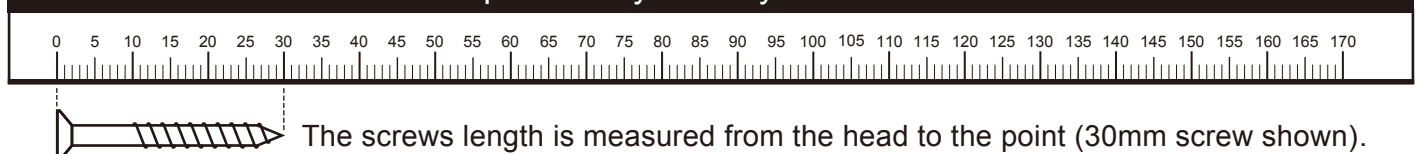
**Note:** The quantities below are the correct amount to complete the assembly. In some cases more fittings may be supplied than are required.

<b>A</b>  (This screw is included in the runners bag) 12mm Screw x 12	<b>B</b>  (This screw is included in the door hinges bag) 15mm Screw x 16	<b>C</b>  14mm Screw x 8
<b>D</b>  30mm Screw x 10	<b>E</b>  Plastic support x 3	<b>F</b>  30mm Dowel x 6
<b>G</b>  39mm Locking pin x 15	<b>H</b>  15mm Locking nut x 10	<b>I</b>  12mm Locking nut x 5
<b>J</b>  Door hinge x 4	<b>K</b>  Right outside runner x 1	<b>L</b>  Right inside runner x 1
<b>M</b>  Left outside runner x 1	<b>N</b>  Left inside runner x 1	<b>O</b>  Door pad x 4
<b>P</b>  Nail x 16	<b>Q</b>  Shelf support x 4	<b>R</b>  Support cover x 4
<b>S</b>  Handle x 4	<b>T</b>  Wall plug x 2	<b>U</b>  Wall strap x 2 <small>(This screw is included in the wall strap bag)</small>  x 2

## Tools required



## Ruler - Use this ruler to help correctly identify the screws



# Assembly Instructions

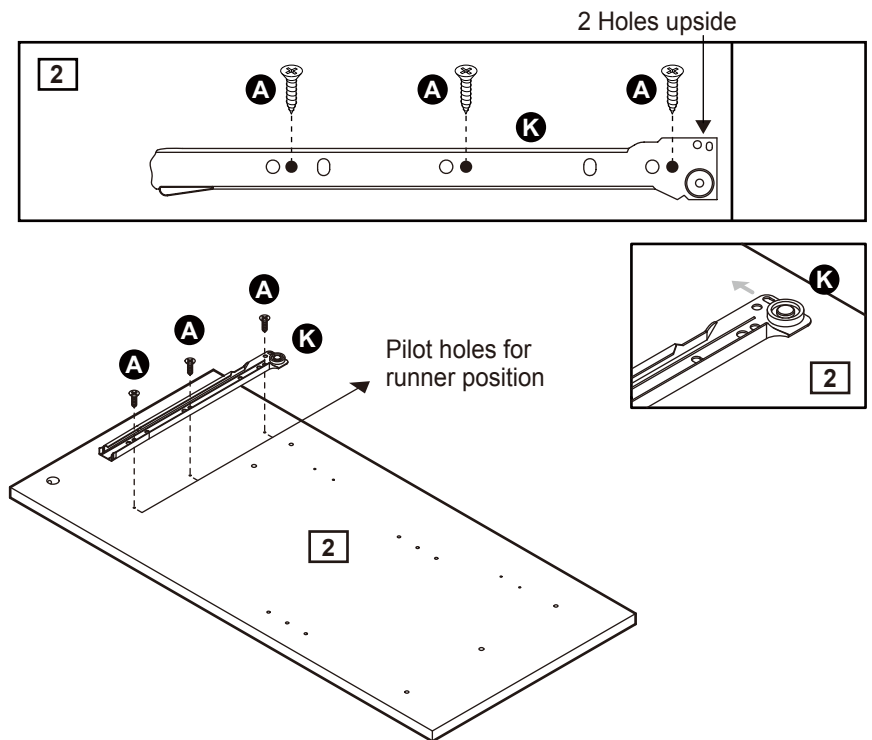
## Step 1

### Attaching runners and hinges

**a:** Position the Left outside runners **K** in from front edge of the Left side panel **2**.

Use Screws **A** to fix the Left outside runners **K** onto the Left side panel **2**.

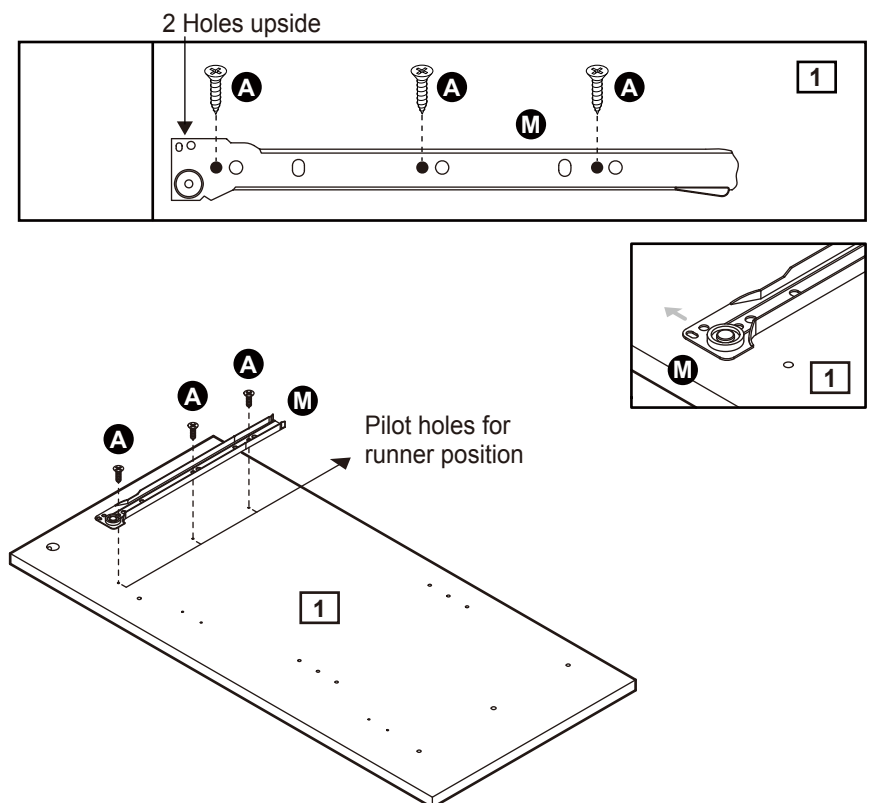
**a:**



**b:** Position the Right outside runners **M** in from front edge of the Right side panel **1**.

Use Screws **A** to fix the Right outside runners **M** onto the Right side panel **1**.

**b:**



Continued on next page.

# Assembly Instructions

## Step 1 - continued

**c:** Use Screws **B** to fix the Door hinges **J** 'back plates' onto the Left side panel **2**.

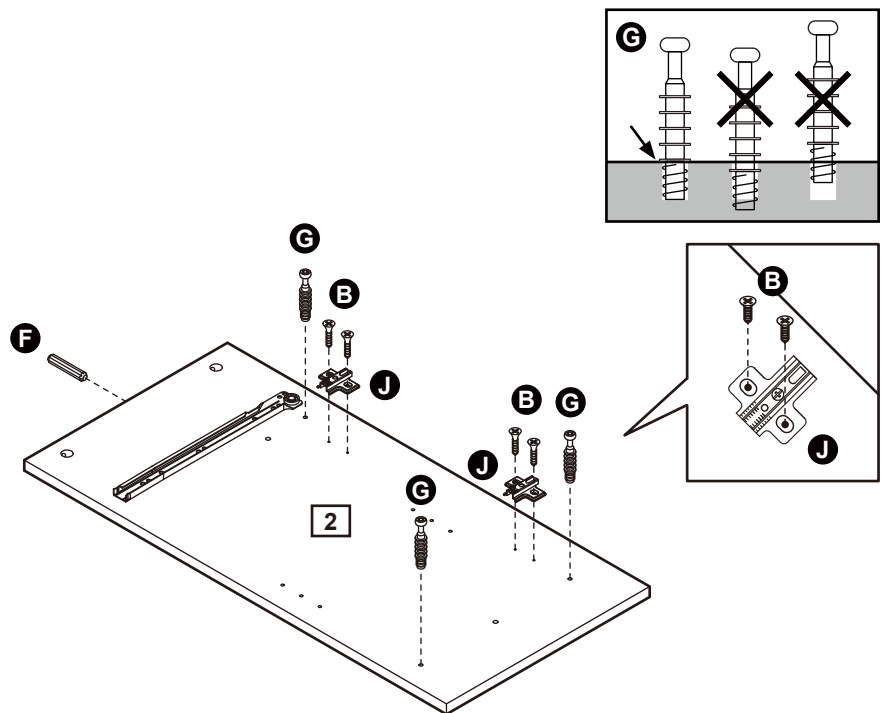
Insert Dowels **F** into the Left side panel **2**.

Screw Locking pins **G** into the Left side panel **2**.

**Note:** Insert locking pins as far as shown.

**Do not over tighten.**

**c:**



**d:** Use Screws **B** to fix the Door hinges **J** 'back plates' onto the Right side panel **1**.

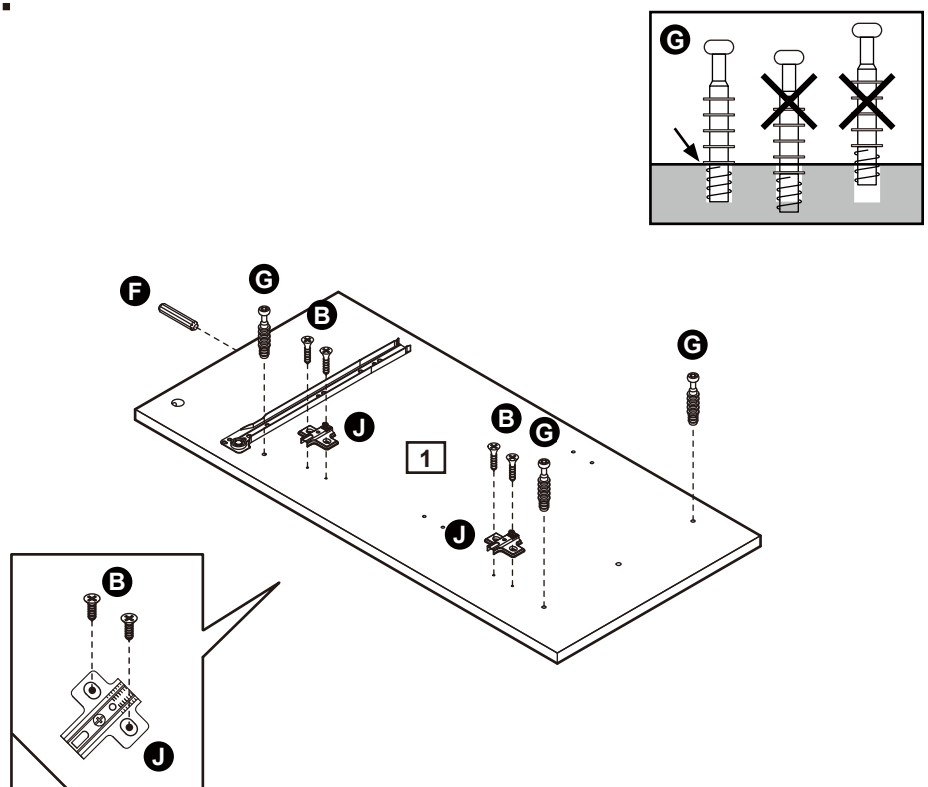
Insert Dowels **F** into the Right side panel **1**.

Screw Locking pins **G** into the Right side panel **1**.

**Note:** Insert locking pins as far as shown.

**Do not over tighten.**

**d:**



# Assembly Instructions

## Step 2

### Attaching bottom panel

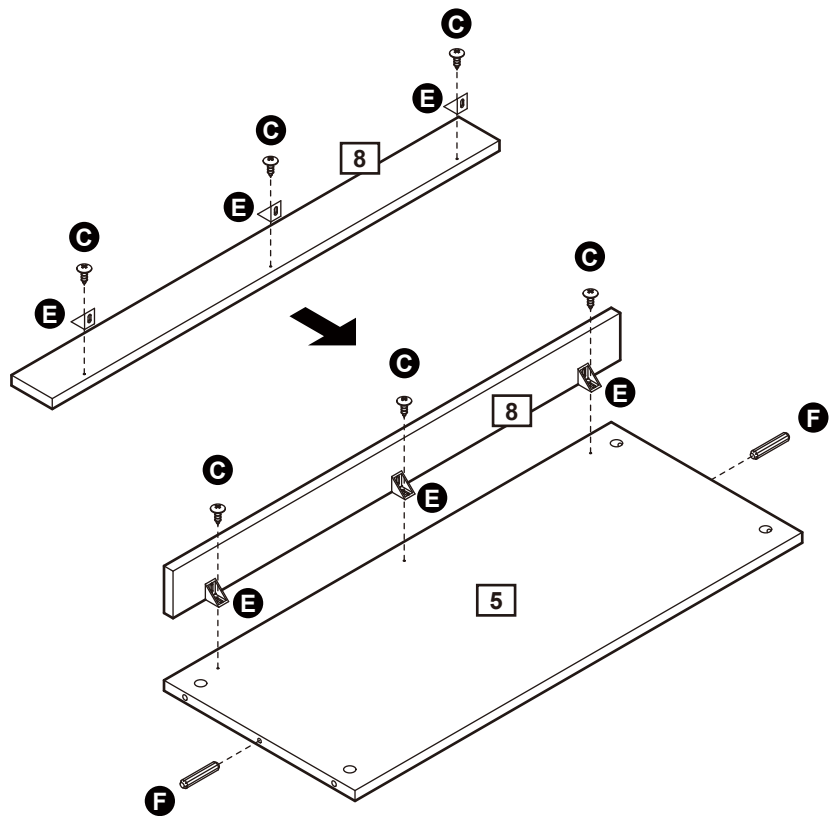
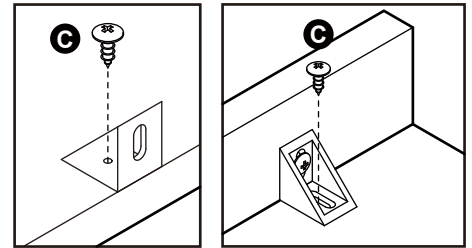
**a:** Use Screws **C** to fix Plastic supports **E** onto the Front panel **8**.

Use Screws **C** to fix Front panel **8** onto the Bottom panel **5**.

**Note:**  
of the Plastic supports **E**  
even with the edges of  
Front panel **8** and  
Bottom panel **5**.

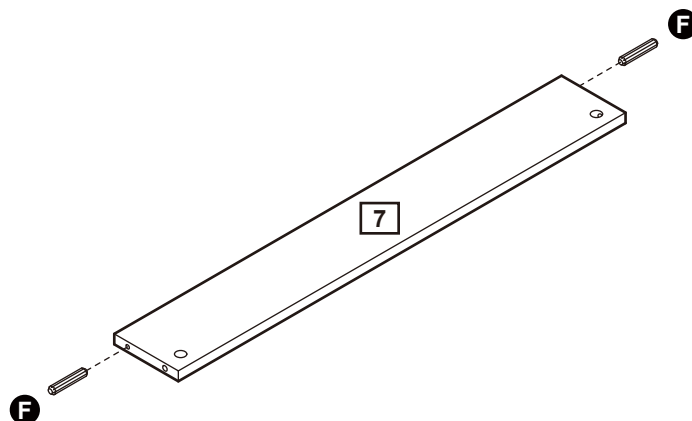
Insert Dowels **F** into the  
Bottom panel **5**.

**a:**



**b:**

**b:** Insert Dowels **F** into  
Middle panel **7**.



Continued on next page.

# Assembly Instructions

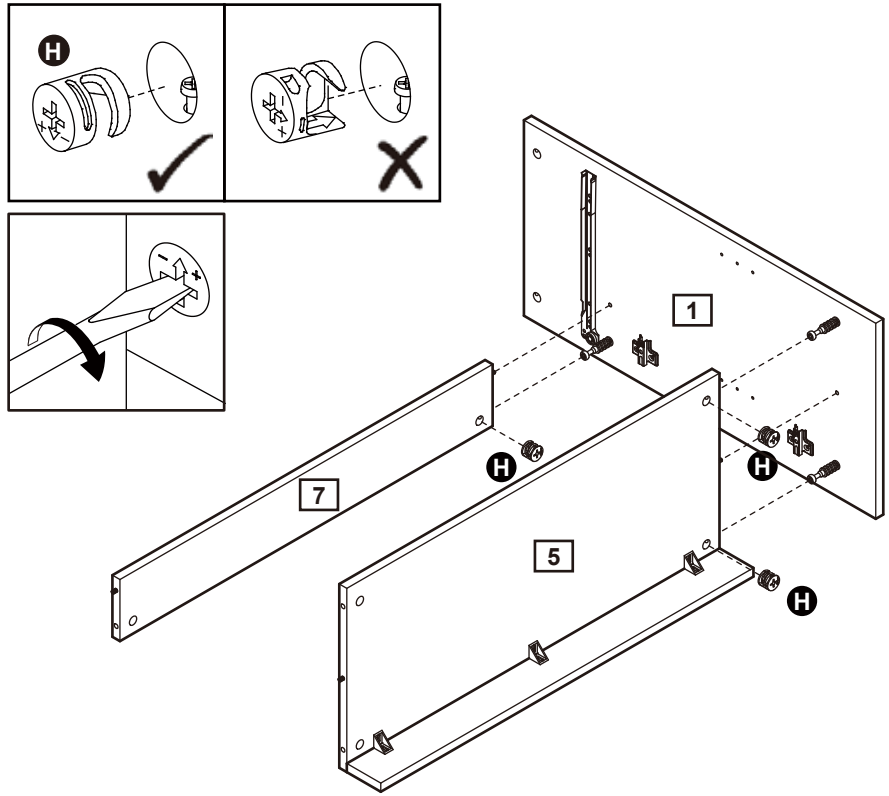
## Step 2 - continued

**c:** Carefully locate the Left panel **1** onto the Middle panel **7** and Bottom panel **5**.

Insert 3 Locking nuts **H** into the Middle panel **7** and Bottom panel **5**.

Use a screwdriver to turn Locking nuts **H** clockwise to lock.

**c:**

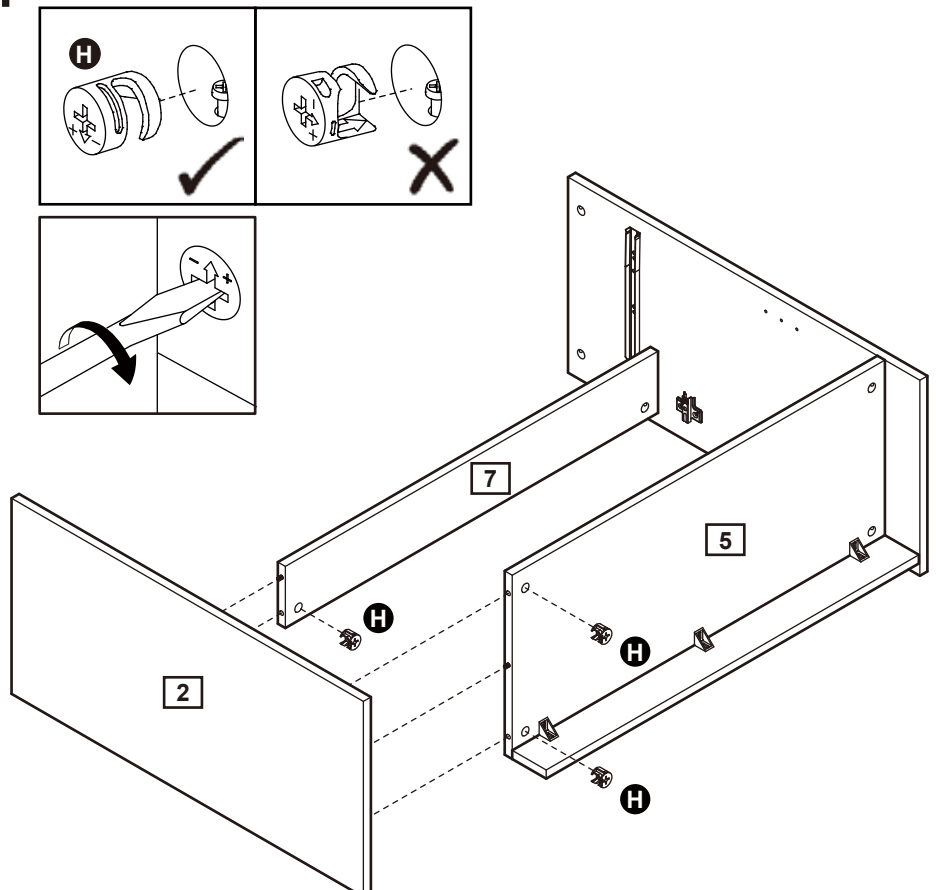


**d:** Carefully locate the Right panel **2** onto the unit.

Insert 3 Locking nuts **H** into the unit.

Use a screwdriver to turn Locking nuts **H** clockwise to lock.

**d:**





# Assembly Instructions

## Step 3

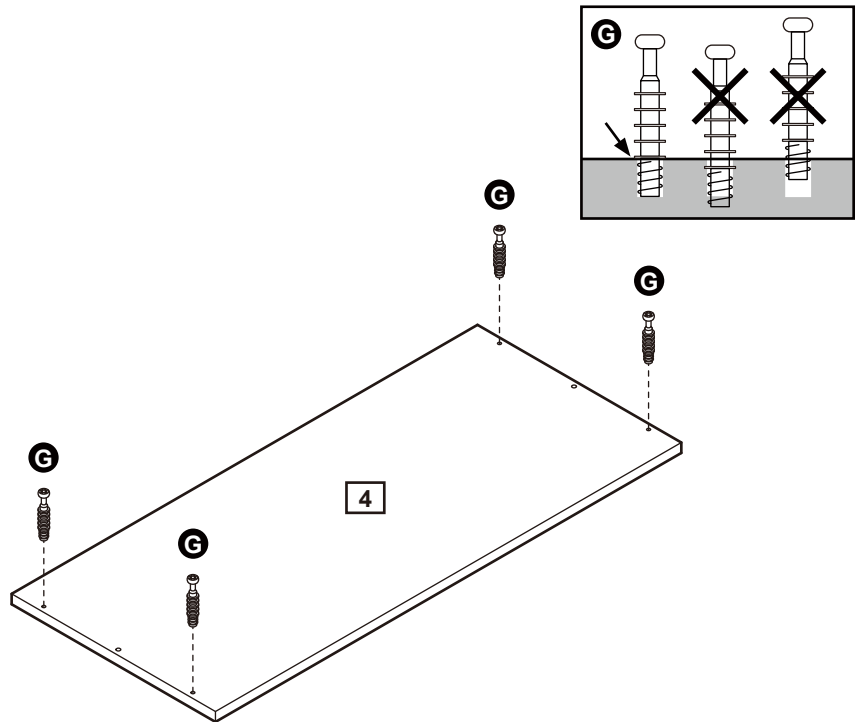
### Attaching top panel

**a:** Screw Locking pins **G** into the Top panel **4**.

**Note:** Insert locking pins as far as shown.

**Do not over tighten.**

**a:**

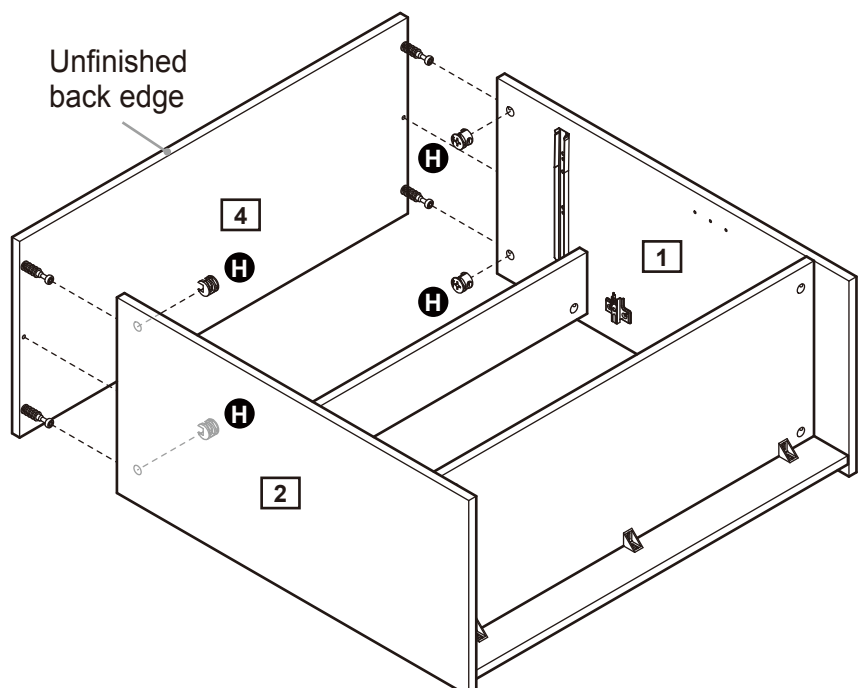
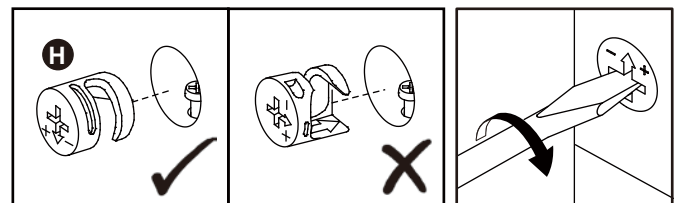


**b:** Carefully locate the Top panel **4** onto the unit.

Insert 4 Locking nuts **H** into the unit.

Use a screwdriver to turn Locking nuts **H** clockwise to lock.

**b:**



# Assembly Instructions

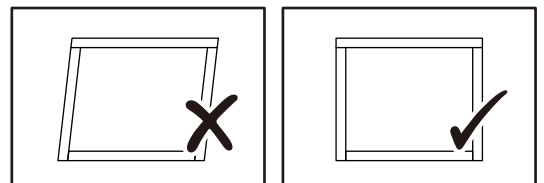
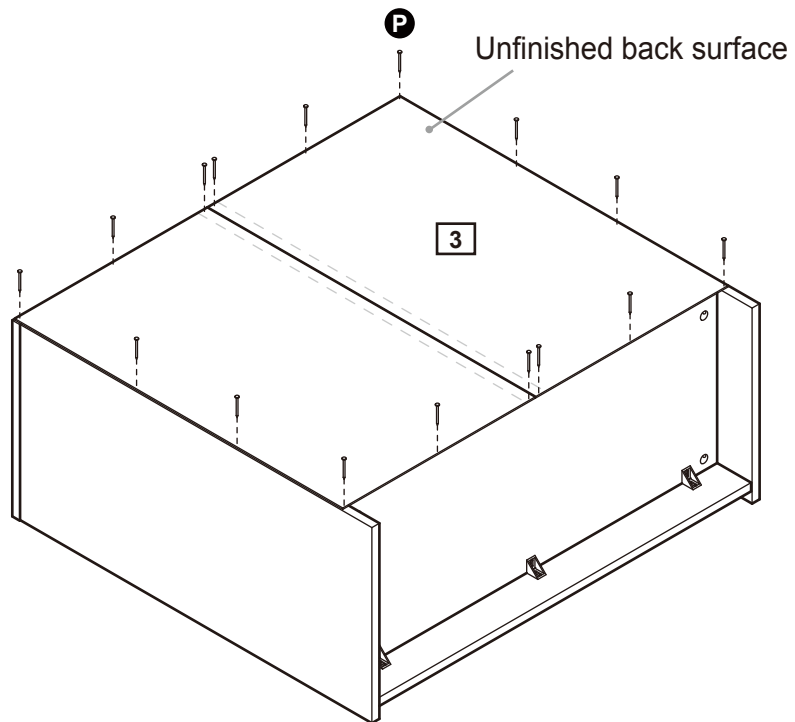
## Step 4

### Fixing back panel

Attach Back panel **3** using nails **P**.



**Important:**  
The unit **MUST** be 'square' when back is attached.



## Step 5

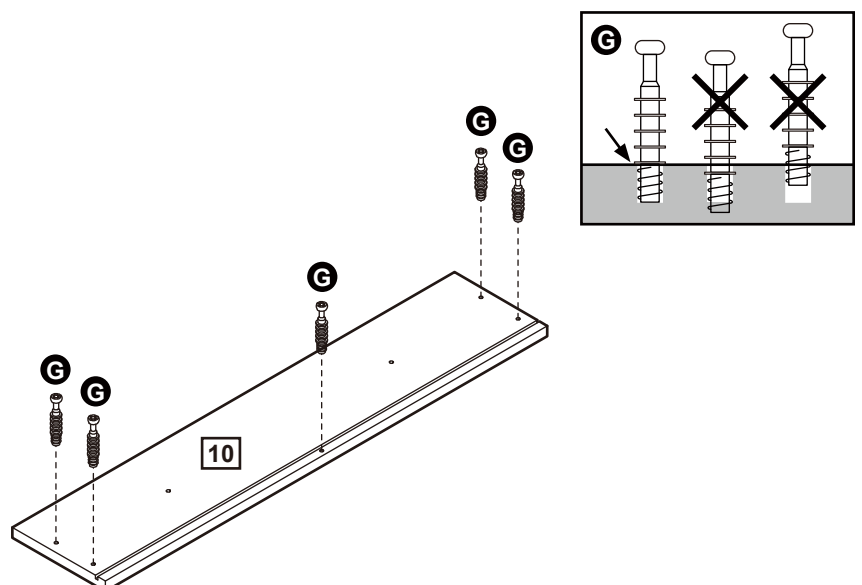
### Drawer assembly

**a:** Screw Locking pins **G** into the Drawer front panel **10**.

**Note:** Insert locking pins as far as shown.

**Do not over tighten.**

**a:**



Continued on next page.

# Assembly Instructions

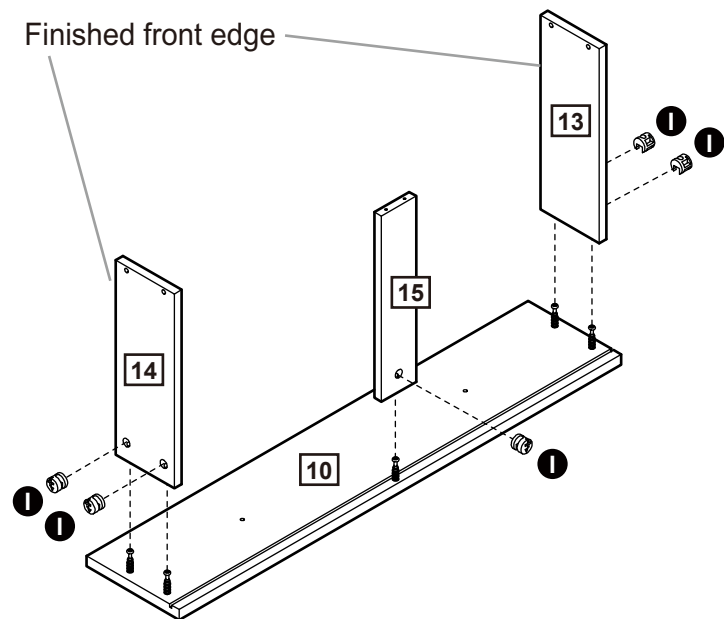
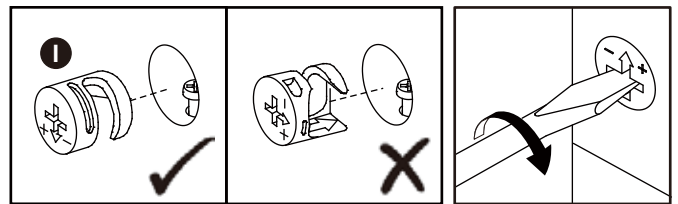
## Step 5 - continued

**b:** Fix Drawer right panel **14**, Drawer support **15** and Drawer left panel **13** onto Drawer front panel **10**.

Insert 5 Locking nuts **I** into the Drawer right panel **14**, Drawer support **15** and Drawer left panel **13**.

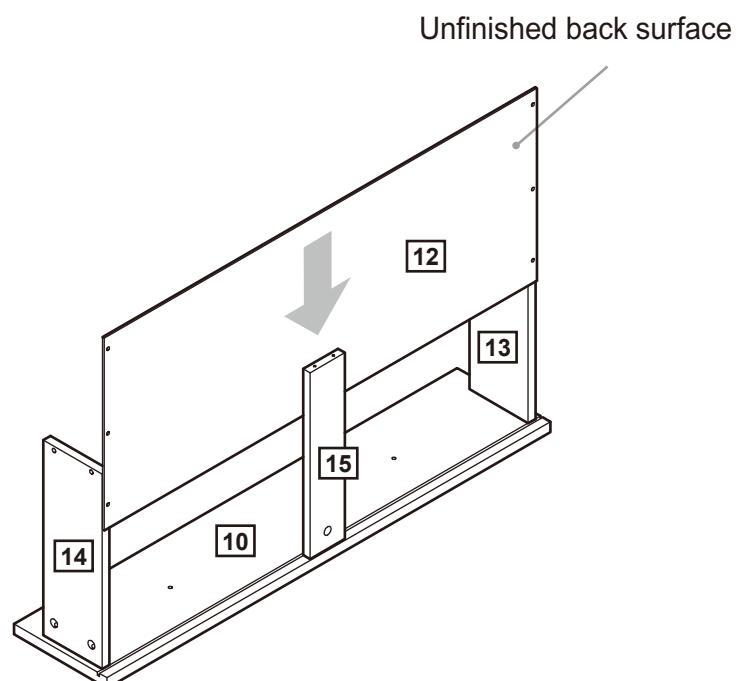
Use a screwdriver to turn Locking nuts **H** clockwise to lock.

**b:**



**c:** Carefully slide the Drawer bottom panel **12** into the grooves.

**c:**



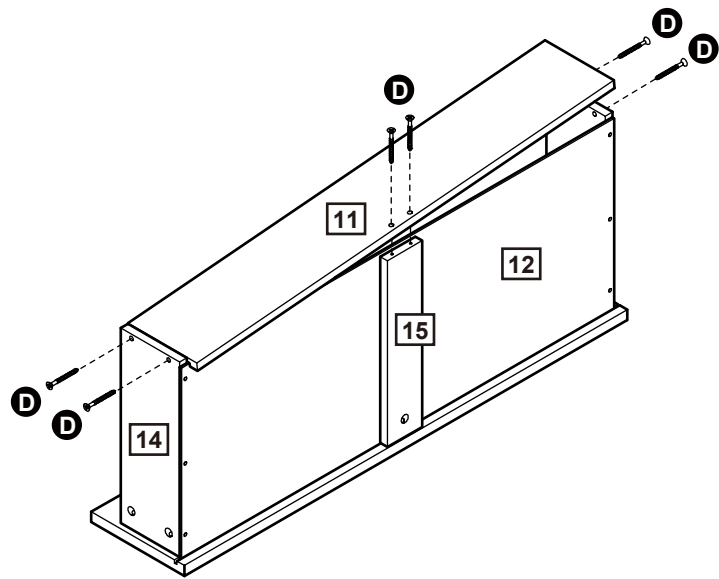
Continued on next page.

# Assembly Instructions

## Step 5 - continued

**d:** Position the Drawer back panel **11** onto the unit using Screws **D**.

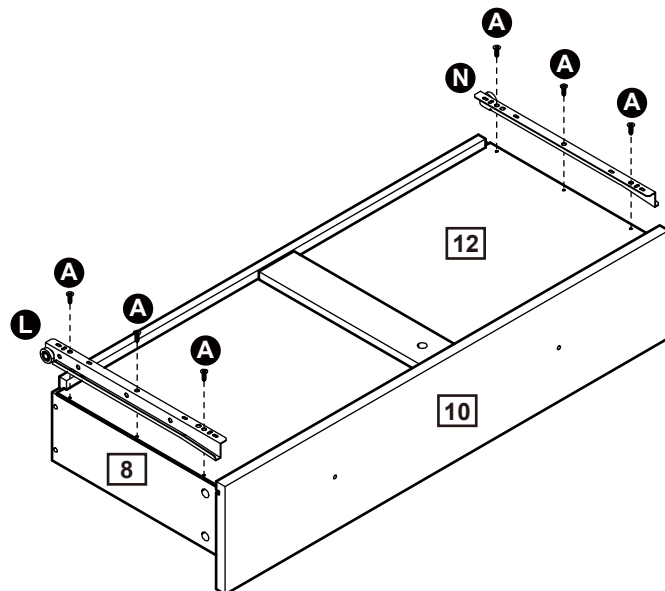
**d:**



**e:** Turn the unit upside down carefully.

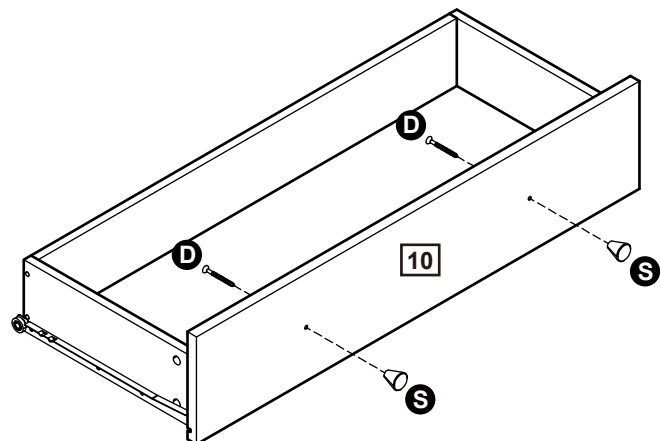
Use Screws **A** to fix the Left inside runners **N** and Right inside runners **L** onto the unit.

**e:**



**f:** Attach Handles **S** onto Drawer front panel **10** using Screws **D**.

**f:**



# Assembly Instructions

## Step 6

### Attaching shelf

With help, carefully stand unit upright.

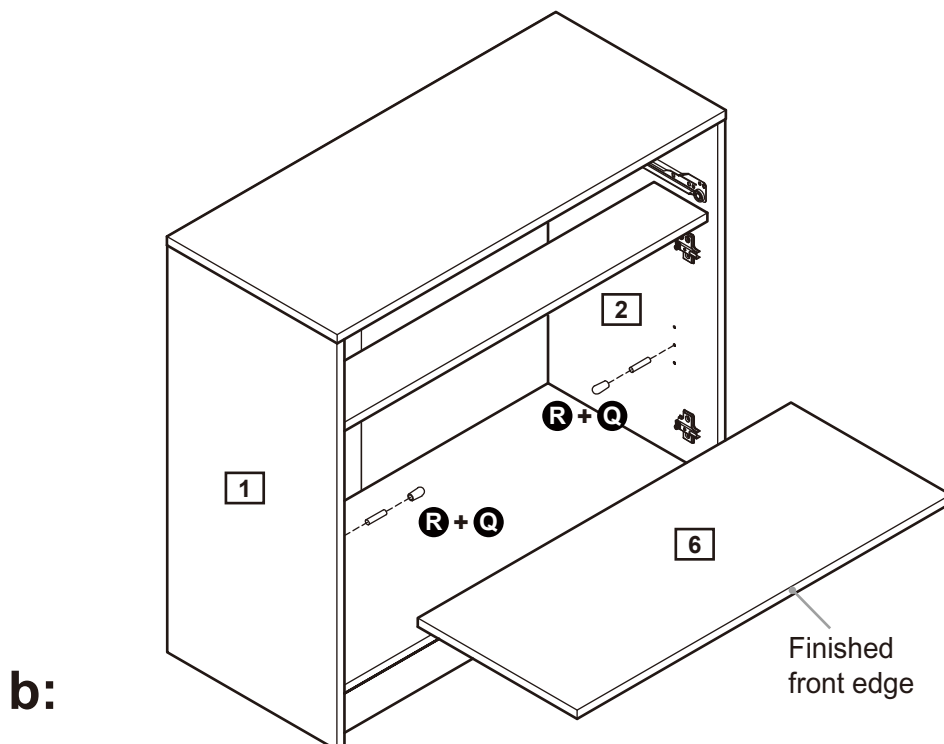
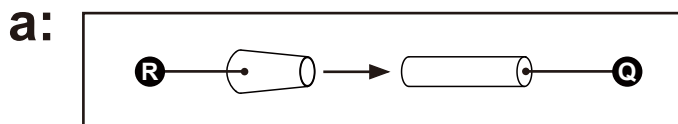


**Warning:**  
The unit is heavy.  
Lift with care.

**a:** Slide Support covers **R** onto Shelf supports **Q**. Insert Shelf supports **Q** (Support covers **R** are included) into the unit. Ensure they are well fitted before inserting the Shelves.

**Note:** Set the shelf supports to the desired height.

**b:** Slide Shelf **6** into the unit.



## Step 7

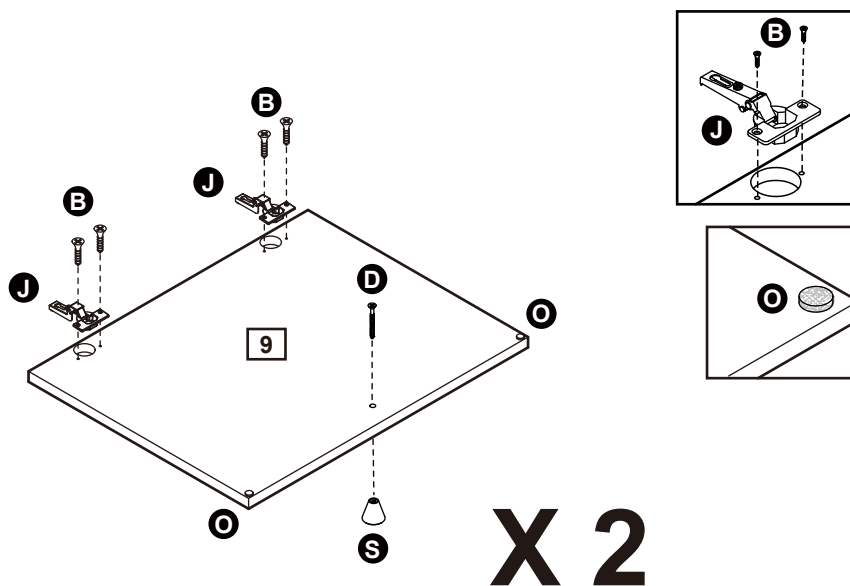
### Attaching door hinges and handles

Fix Door hinges **J** onto Door panel **9** using Screws **B**.

Attach Handle **S** using Screws **D**.

Tear off the protective backing from the Door Pads **O**.

Carefully stick the Door pads **O** onto the Door panels **9**.



# Assembly Instructions

## Step 8

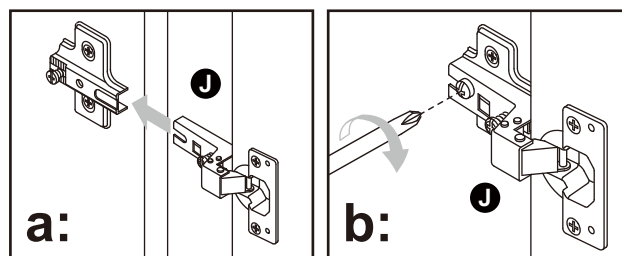
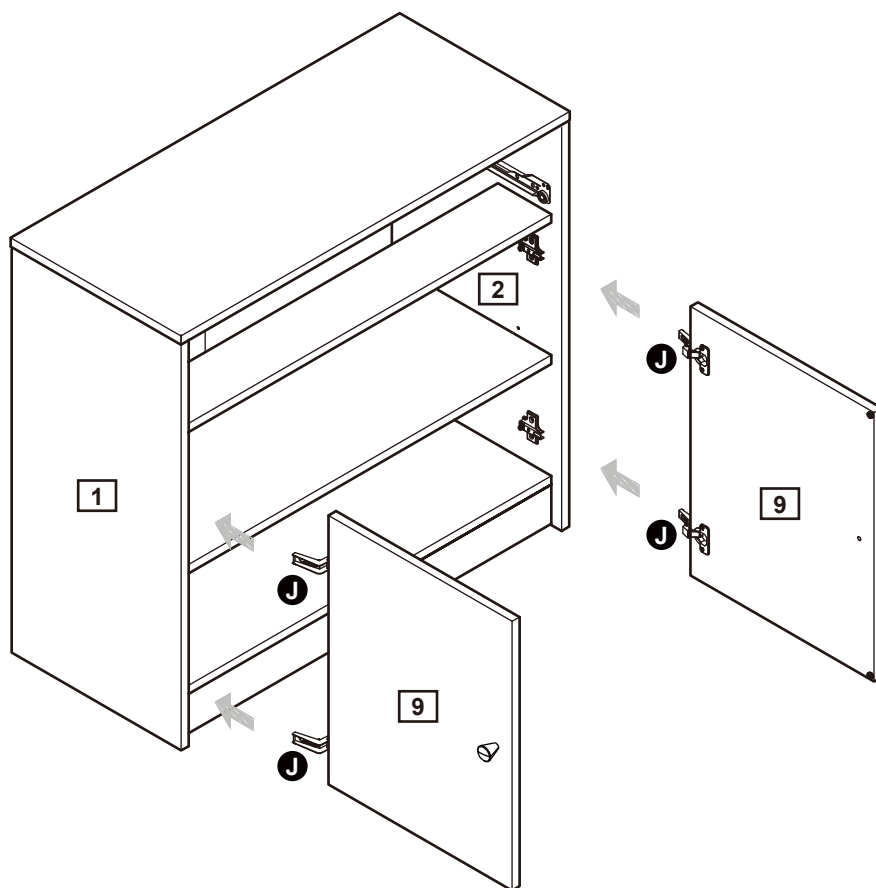
### Hanging doors

**a:** With help, slot Door hinges **J** onto 'hinge plates'.

**b:** Tighten screw shown to lock hinges in position.

Repeat **a** and **b** for opposite door.

See '**Hinge adjustment**' in step 10 if the doors need adjusting.



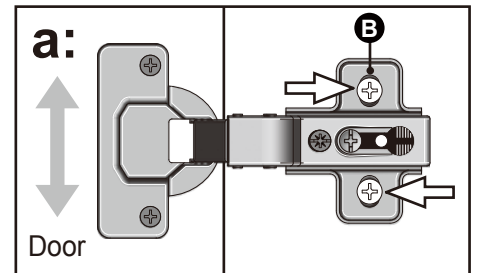
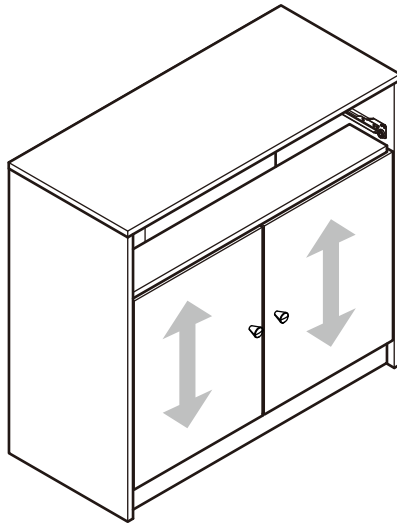
# Assembly Instructions

## Step 9

### Hinge adjustment

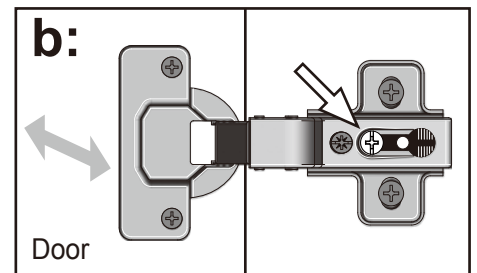
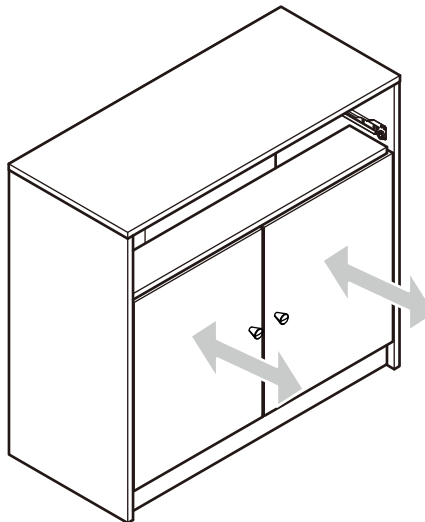
**a:** To move doors up or down: loosen screws shown and move doors to suit.

Once doors are aligned, re-tighten Screws **B**.



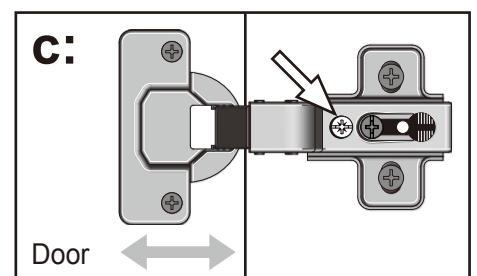
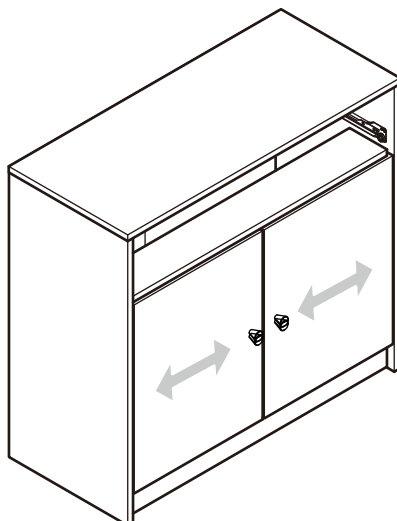
**b:** To move doors in or out: loosen screw shown and move doors to suit.

Re-tighten screws.



**c:** To move doors left or right: loosen screw shown and move doors to suit.

Re-tighten screws.



# Assembly Instructions

## Step 10

### Fixing to wall

**Warning:**

In order to prevent overturning, this product must be used with the wall attachment device provided.

Use Screws(2 pcs) **C** to fix Wall straps(2 pcs) **U** onto the unit.

With help, move this product into position.

**Warning:**

This product is heavy.

**Lift with care.**

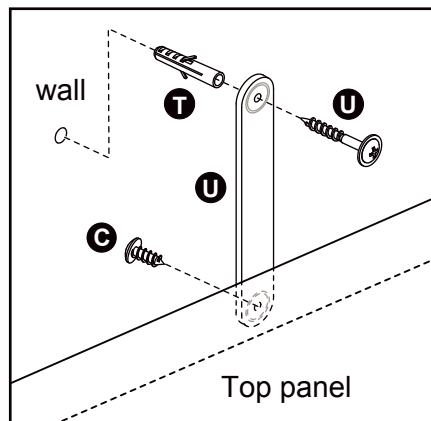
Mark fixing hole on wall and remove this product.

Drill 2 holes and insert Wall pulgs(2 pcs) **T**.

**Warning:**

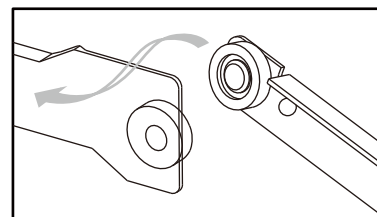
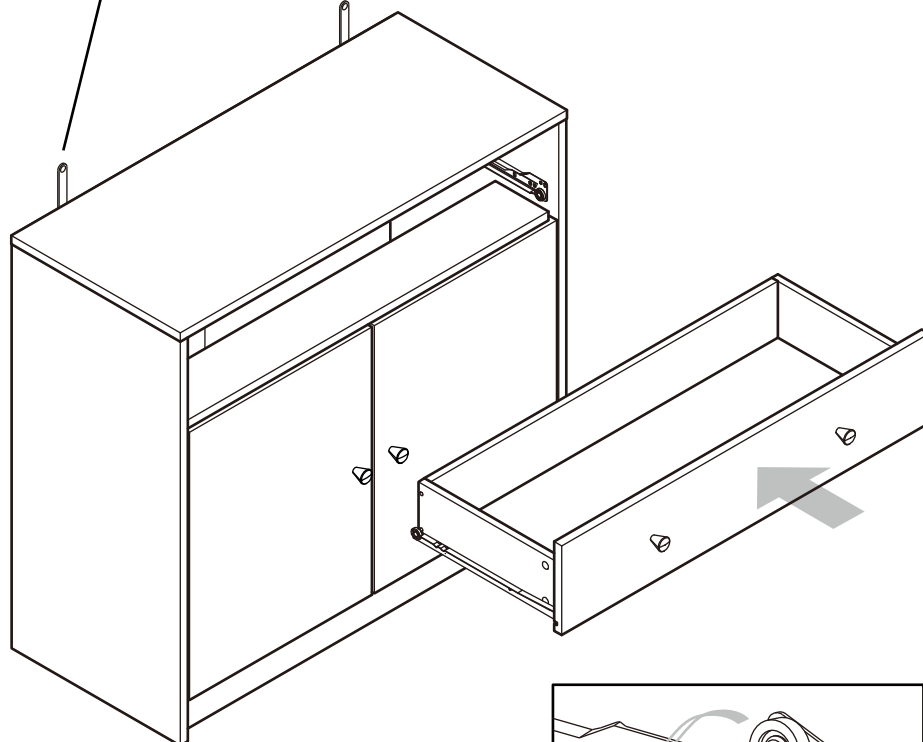
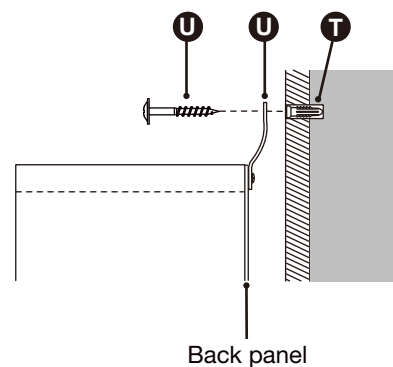
Before drilling, check wall for hidden pipes and cables.

Reposition this product and fix wall straps using Screws(2 pcs) **U**.



**Note:** Wall plugs supplied are for solid wall only.

The correct type of fixing must be used for your wall, seek professional advice if in doubt



## Step 11

Slide the assembled drawer fully onto runners.

**Assembly is complete.**

If you need help or have damaged or missing parts, call the **Customer Helpline:**  
**Argos = 0345 6400800**



# A Guide to - Wall Mounting & Fixings

## Important note:

If plastic wall plugs are supplied with your product:



- these are only suitable for use in masonry walls.

If you are in any doubt about the correct wall plugs for your wall, seek professional advice.


Failure of the product due to using incorrect fixings is the responsibility of the installer.



**Important:** When drilling into walls always check that there are no hidden wires or pipes etc.

Make sure that the screws and wall plugs being used are suitable for supporting your unit. Consult a qualified tradesperson if you are unsure.

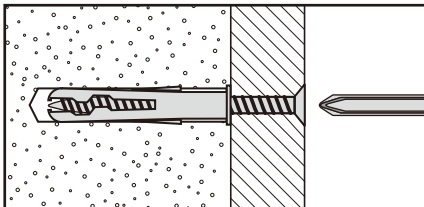
### Hints:

- 1: General rule:**  Always use a larger screw and wall plug if you are not sure.
- 2:** Ensure you use the recommended drill bit to match the wall plug and hole size.
- 3:** Ensure you drill the hole horizontally, do not force the drill or enlarge the hole.
- 4:** Take extra care when drilling high walls, ceilings and ceramic tiles. Ensure wall plugs are inserted beyond the thickness of the ceramic tiles to avoid the tiles splitting or cracking.
- 5:** Ensure wall plugs are well fitted and are a tight fit in the drilled hole.

## Types of walls

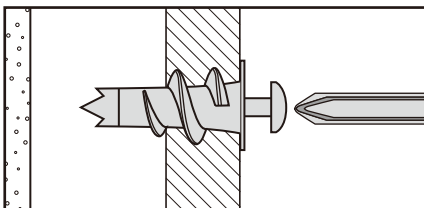
You can use one of the following types of wall plug if your walls are made of brick, breeze block, concrete, stone or wood.

### No.1 "General Purpose" wall plug



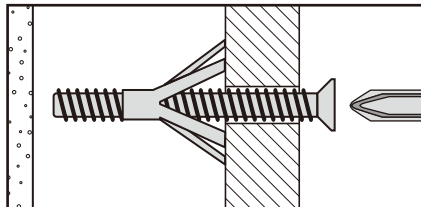
Generally aerated blocks should not be used to support heavy loads, use a specialist fitting in this case. For light loads, general purpose wall plugs can be used.

### No.2 "Plasterboard" wall plug



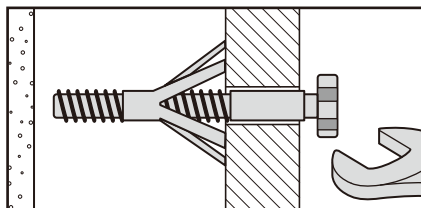
For use when attaching light loads on to plasterboard partitions.

### No.3 "Cavity Fixing" wall plug



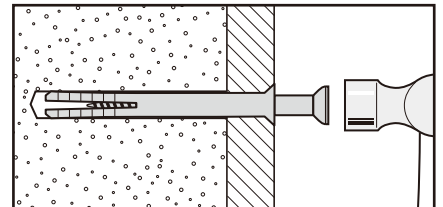
For use with plasterboard partitions or hollow wooden doors.

### No.4 "Cavity Fixing-Heavy Duty" wall plug



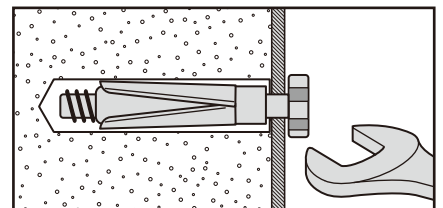
For use when fitting or supporting heavy loads such as shelving, wall cabinets and coat racks.

### No.5 "Hammer Fixing" wall plug



For use with walls stuck with plasterboard. The hammer fixing allows it to be fixed to the wall rather than the plasterboard. Always check the fixing is secure to the retaining wall.

### No.6 "Shield Anchor" wall plug Heavy loads



For use with heavier loads such as TV & HiFi speakers and satellite dishes etc.



## Care & Maintenance

**Safety:** Always check the fitting and location to ensure your safety in and around the home.

**Fitting:** From time to time check the fitting to ensure the wall plugs or screws do not become loose.