

# HM Maine Coffee Table

Assembly Instructions - Please keep for future reference

806/4402

798/5362

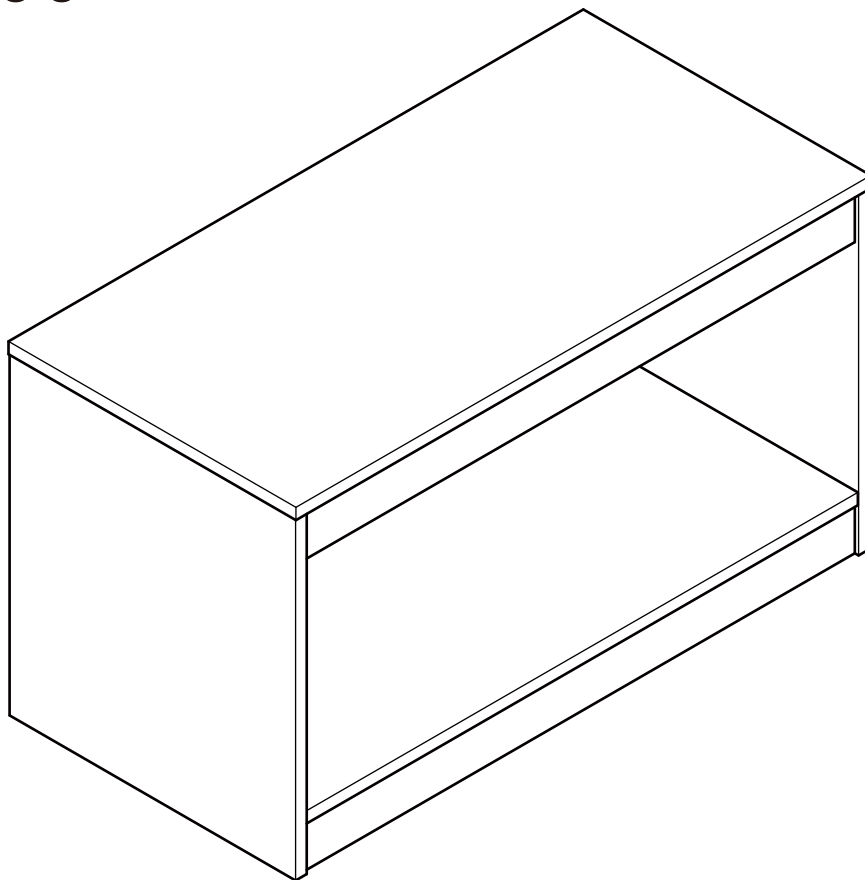
792/8044

764/8070

797/9323

803/2276

**H O**  
**M E**  
**BY ARGOS**



## Dimensions

Width - 80cm

Depth - 40cm

Height - 45cm

**Important - Please read these instructions fully before starting assembly**

If you need help or have damaged or missing parts, call the **Customer Helpline:**  
**Argos = 0345 6400800**



# Safety and Care Advice

**Important** – Please read these instructions fully before starting assembly

- Check you have all the components and tools listed on the following pages.
- Remove all fittings from the plastic bags and separate them into their groups.
- Keep children and animals away from the work area, small parts could choke if swallowed.
- Make sure you have enough space to layout the parts before starting.

- During assembly do not stand or put weight on the product, this could cause damage.
- Assemble the item as close to its final position (in the same room) as possible.
- Assemble on a soft level surface to avoid damaging the unit or your floor.
- Parts of the assembly will be easier with 2 people.



- To reduce the likelihood of damaging your product please ensure that your power drill is set on a low torque setting.

## Care and maintenance

- Only clean using a damp cloth and mild detergent, do not use bleach or abrasive cleaners.
- From time to time check that there are no loose screws on this unit.
- This product should not be discarded with household waste. Take to your local authority waste disposal centre.

## Handy Hints

- Assemble all parts and bolts loosely during assembly, only once the product is complete should you fully tighten the bolts
- Regularly check and ensure that all bolts and fittings are tightened properly.

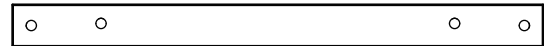
# Components - Panels

If you have damaged or missing components, call the  
Customer Helpline: Argos = 0345 6400800

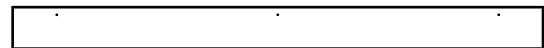
Please check you have all the panels listed below



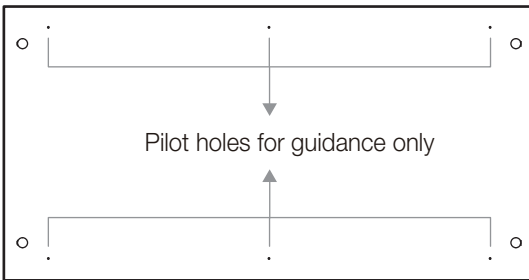
**1** Top panel (80 x 40cm)



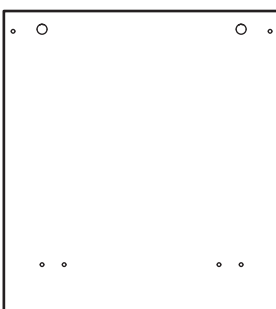
**4** Top support x 2 (76.8 x 6cm)



**5** Bottom support x 2 (76.8 x 6cm)



**2** Bottom panel (76.8 x 39.6cm)


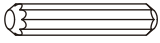





**3** Side panel x 2 (43.5 x 39.8cm)

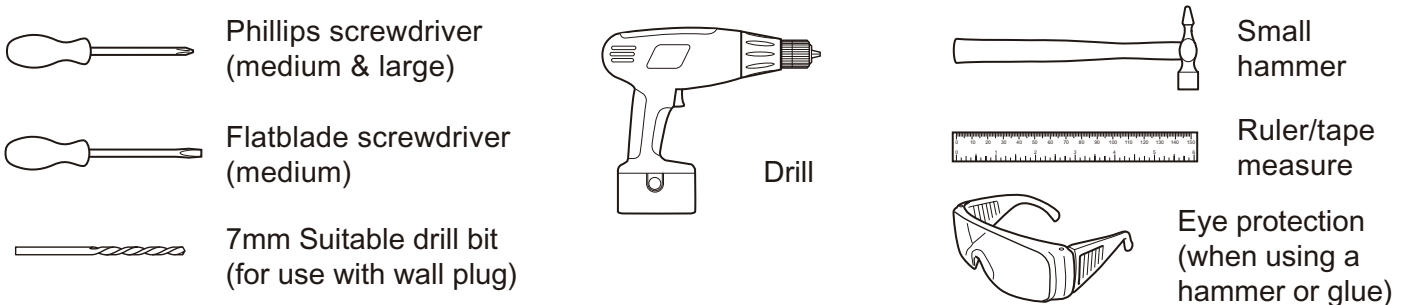
# Components - Fittings

Please check you have all the fittings listed below

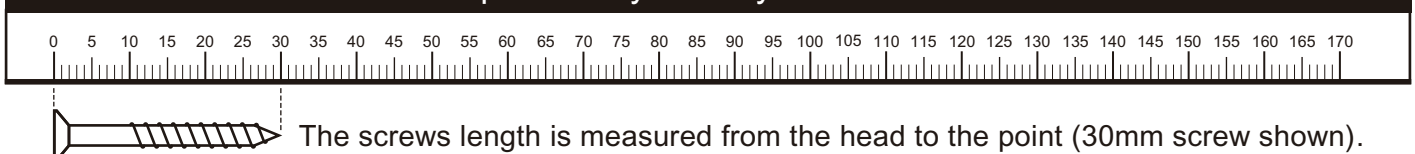
**Note:** The quantities below are the correct amount to complete the assembly. in some cases more fittings may be supplied than are required.

<p><b>A</b> </p> <p>39mm Locking pin x 16</p>	<p><b>B</b> </p> <p>30mm Dowel x 8</p>	<p><b>C</b> </p> <p>15mm Locking nut x 16</p>
<p><b>D</b> </p> <p>15mm Screw x 12</p>	<p><b>E</b> </p> <p>Plastic support x 6</p>	

## Tools required



## Ruler - Use this ruler to help correctly identify the screws



# Assembly Instructions

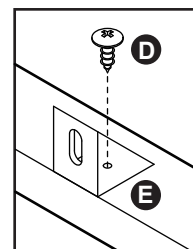
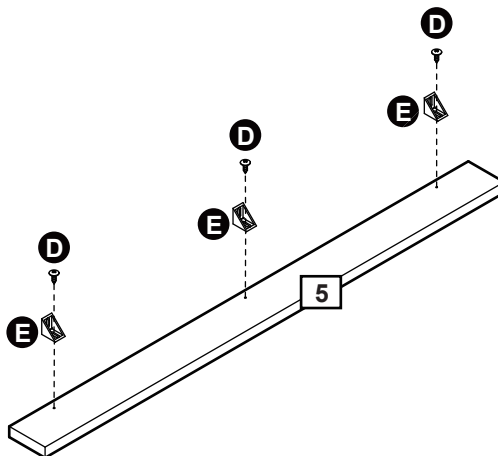
## Step 1

### Attaching bottom panel

**a:** Use Screw **D** to fix the Plastic supports **E** onto the Bottom support **5**.

**Note:** Be sure the edges of the Plastic supports **E** even with the edges of the Bottom support **5**.

**a:**

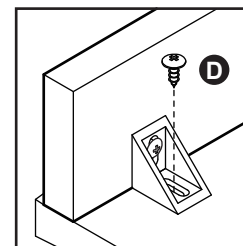
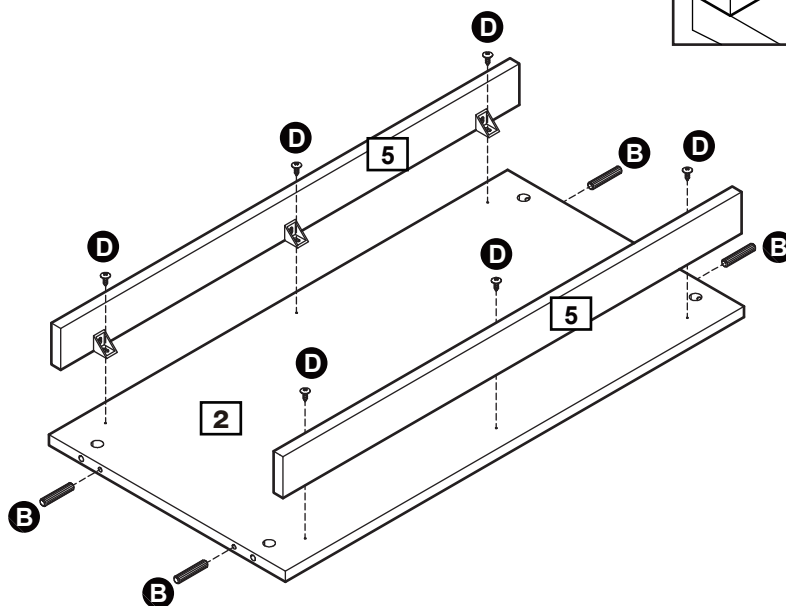


**X 2**

**b:** Position the Bottom supports **5** onto the Bottom panel **2** use Screws **D**.

Insert Dowels **B** into the Bottom panel **2**.

**b:**



# Assembly Instructions

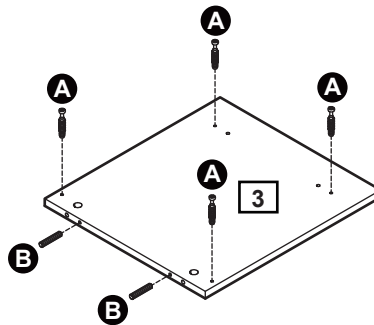
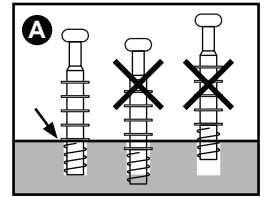
## Step 2

### Attaching side panel

**a:** Screw Locking pins **A** into the Side panel **3**.

**Note:** Insert locking pins as far as shown.  
**Do not over tighten.**

Insert Dowels **B** into the Side panel **3**.



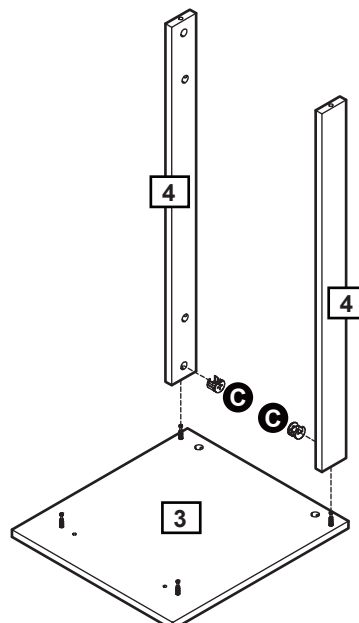
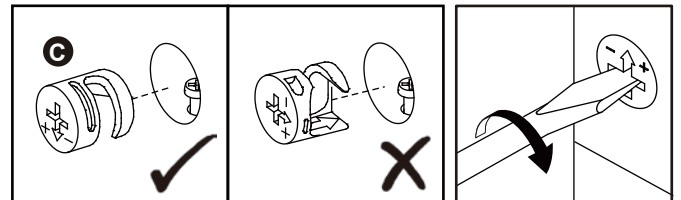
**X 2**

**b:** Position Top supports **4** onto the Side panel **3**.

Insert Locking nut **C** into the Top supports **4**.

Use a screwdriver to turn Locking nut **C** clockwise to lock.

**b:**



Continued on next page.

# Assembly Instructions

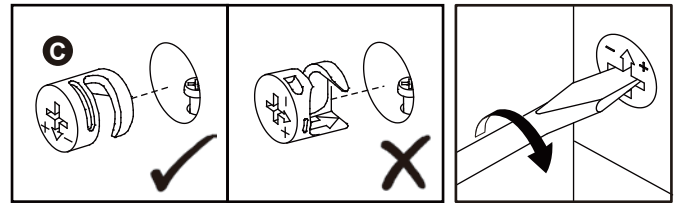
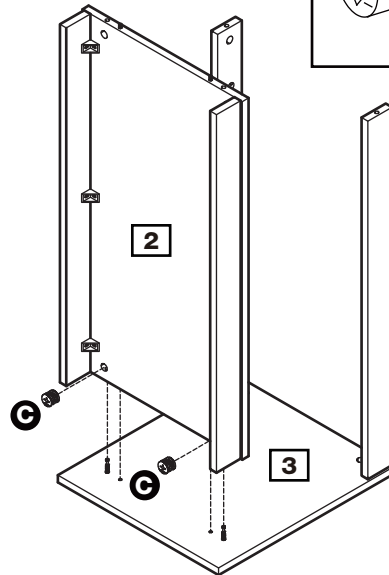
## Step 2 - continued

**c:** Position Bottom panel **2** onto the Side panel **3**.

Insert Locking nuts **c** into the Bottom panel **2**.

Use a screwdriver to turn Locking nut **c** clockwise to lock.

**c:**

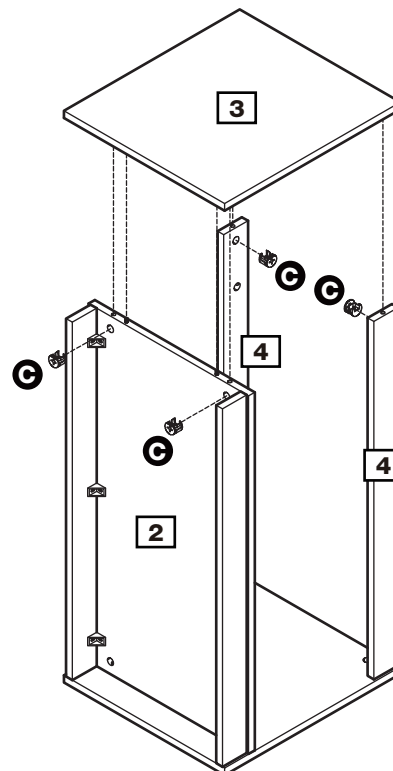
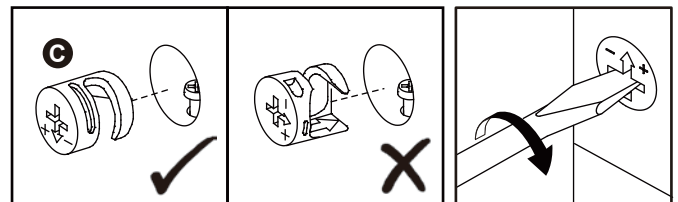


**d:** Position Side panel **3** onto the unit.

Insert Locking nuts **c** into the Bottom panel **2** and Top supports **4**.

Use a screwdriver to turn Locking nut **c** clockwise to lock.

**d:**



# Assembly Instructions

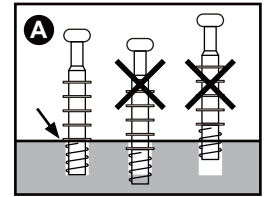
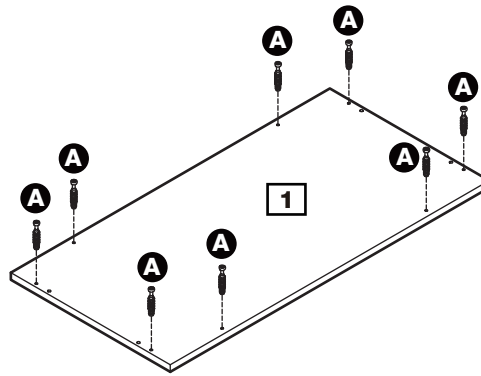
## Step 3

### Attaching top panel

**a:** Screw Locking pins **A** into the Top panel **1**.

**Note:** Insert locking pins as far as shown.  
**Do not over tighten.**

**a:**

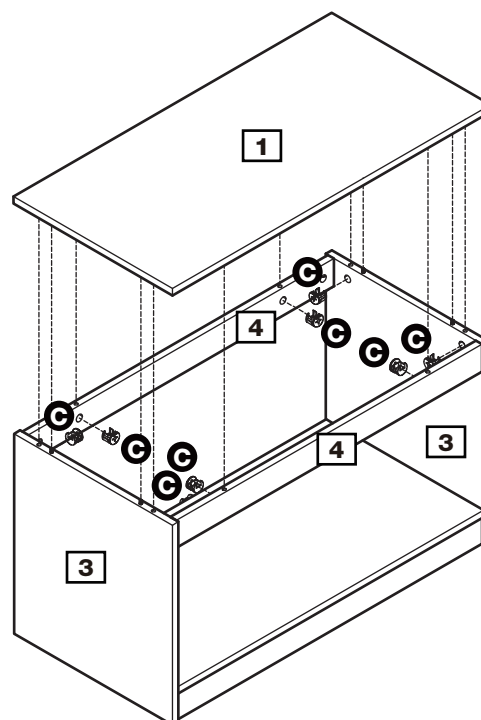
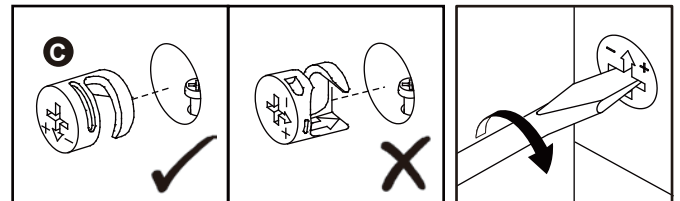


**b:** Position Top panel **1** onto the unit.

Insert Locking nuts **C** into the Side panels **3**, Top supports **4**.

Use a screwdriver to turn Locking nut **C** clockwise to lock.

**b:**





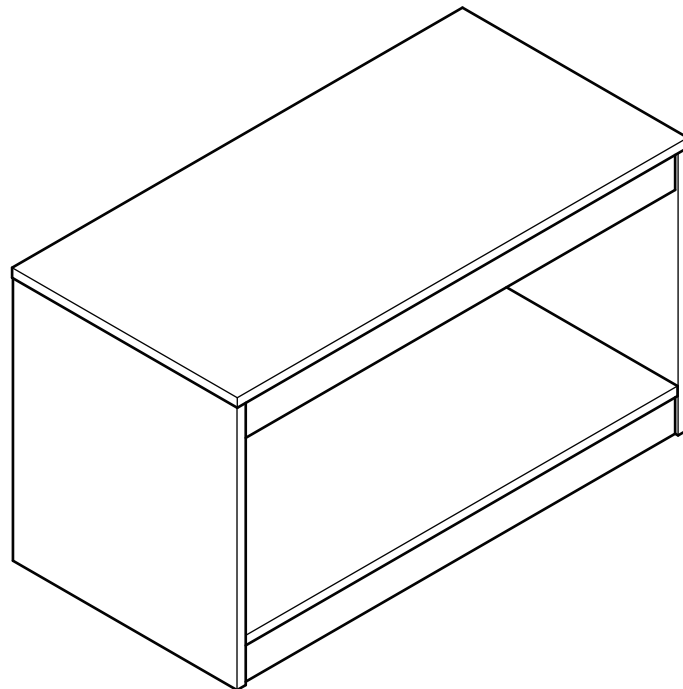
# Assembly Instructions

## Step 4

### Finishing the unit

**Note:** It would be useful to ask someone to help you at this stage.

With help, place the unit in the intended position.



**Assembly is complete.**

If you need help or have damaged or missing parts, call the **Customer Helpline:**  
**Argos = 0345 6400800**