



**XH8 XXX X**

**GB** English

# **Operating Instructions**

## **REFRIGERATOR/FREEZER COMBINATION**

### **Contents**

Operating Instructions, 1
Assistance, 2
Description of the appliance, 3
Description of the appliance, 4
Installation, 5
Start-up and use, 5
Maintenance and care, 7
Precautions and tips, 7
Troubleshooting, 8
Reversible doors, 9

GB

## Assistance

### Before calling for Assistance:

- Check if the malfunction can be solved on your own (see Troubleshooting).
- If after all the checks, the appliance still does not operate or the problem persists, call the nearest Service Centre

### Communicating:

- type of malfunction
- appliance model (Mod.)
- serial number (S/N)

This information can be found on the data plate located on the bottom left side of the refrigerator compartment.

**Never call on unauthorized technicians and always refuse spare parts which are not originals.**

GB - model

Indesit		TYPE	
Mod. <b>BIAAA 13 RW</b>		34874470100	
230 ~ 240V ~ 50Hz 1 A		S/N 000000000	
Chiller Vol. 50 l		Freezer Vol. 116 l	
Gross 334 l	Gross 218 l	Gross 0 l	Gross 116 l
Net 303 l	Net 213 l	Net 0 l	Net 90 l
Utilite 303 l	Utilite 213 l	Utilite 0 l	Utilite 90 l
R 600a Refr. 62 g		2,0 kg/24h	
Freez. g		Class ST	
Вироблено в Польщі		Indesit Company SpA, Viale Aristide Merletti 47	
Сделано в Польше		60044 Fabriano (AN) Italy	
MADE IN POLAND 87447		19512617900	

GB - serial number

## Description of the appliance

### Control panel

#### 1. ON/OFF

The whole product (both fridge and freezer compartments) can be turned on by pressing this button for 2 seconds.

The last set value is indicated on the interface. Press this button to turn off the device. An audible signal will confirm the "off commutation of the product".

#### 2. FRIDGE temperature indicator

It shows the temperature of the fridge compartment.

#### 3. FRIDGE temperature setting

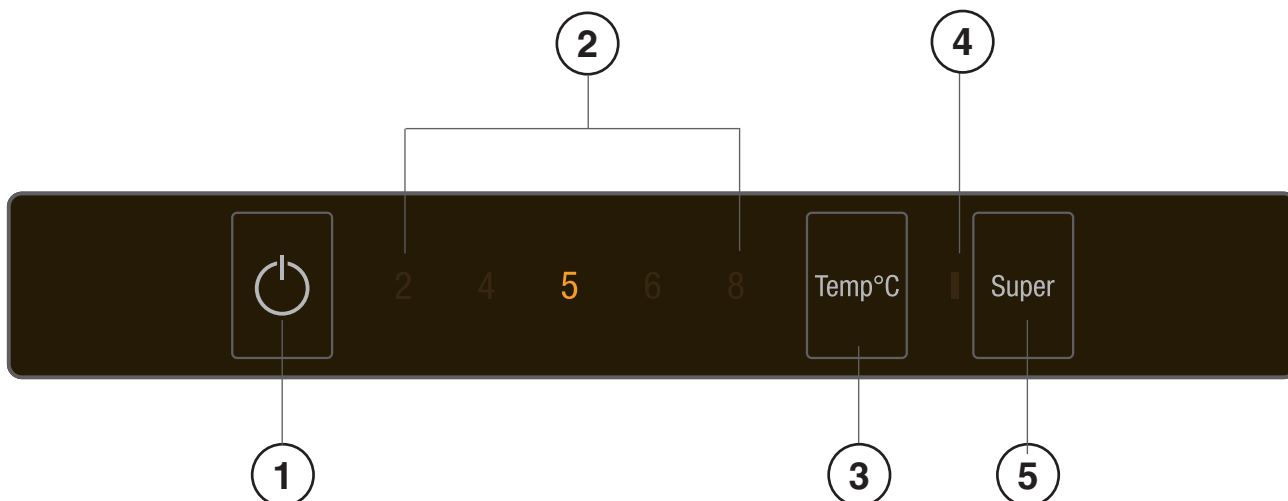
It allows you to change the fridge temperature value, in a cyclical way; it also confirms the selected temperature on the interface.

#### 4 SUPER indicator light (rapid freezing)

illuminates when the **SUPER** button is pressed.

#### 5 SUPER button (rapid freezing)

To be used to freeze fresh foods. When it is pressed, the **SUPER** indicator light illuminates (see Start-up and use).



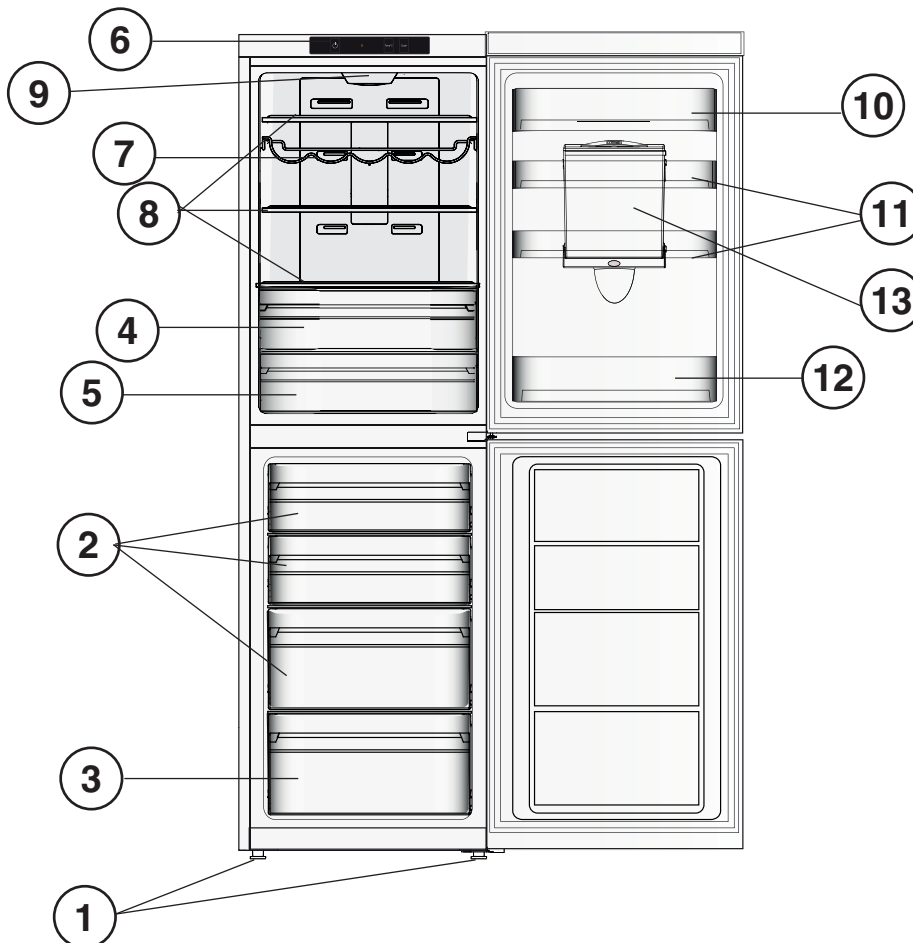
## Description of the appliance

### Overall view

The instructions contained in this manual are applicable to different model refrigerators. The diagrams may not directly represent the appliance purchased. For more complex features, consult the following pages.

- 1 Levelling **FEET**
- 2 **STORAGE** compartment\*
- 3 **FREEZER** and **STORAGE** compartment
- 4 **FRUIT** and **VEGETABLE** bin \*
- 5 **COMPARTMENT 3 IN 1 ZONE**\*
- 6 **Control panel**
- 7 **WINE RACK** \*
- 8 **SHELVES** \*
- 9 **LAMP** (see Maintenance).
- 10 Extractable **STORAGE shelf WITH COVER**
- 11 Removable multipurpose **SHELVES** \*
- 12 **BOTTLE** shelf
- 13 **WATER DISPENSER**

\* Varies by number and/or position, available only on certain models.



## Installation

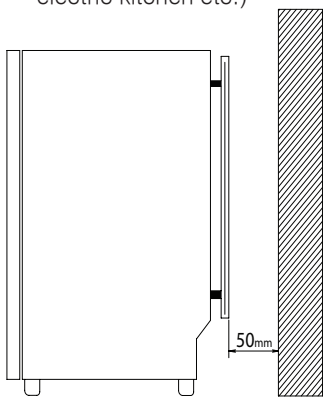
! Before placing your new appliance into operation please read these operating instructions carefully. They contain important information for safe use, for installation and for care of the appliance.

! Please keep these operating instructions for future reference. Pass them on to possible new owners of the appliance.

### Positioning and connection

#### Positioning

1. Place the appliance in a well-ventilated humidity-free room.
2. Do not obstruct the rear fan grills. The compressor and condenser give off heat and require good ventilation to operate correctly and save energy.
3. Leave a space of at least 10 cm between the top part of the appliance and any furniture above it, and at least 5 cm between the sides and any furniture/side walls.
4. Place the device far from heat sources (direct sun light, electric kitchen etc.)



#### Levelling

1. Install the appliance on a level and rigid floor.
2. If the floor is not perfectly horizontal, adjust the refrigerator by tightening or loosening the front feet.

#### Electrical connections

After the appliance has been transported, carefully place it vertically and wait at least 3 hours before connecting it to the electricity mains. Before inserting the plug into the electrical socket ensure the following:

- The appliance is earthed and the plug is compliant with the law.
- The socket can withstand the maximum power of the appliance,
- The voltage must be in the range between the values indicated on the data plate located on the bottom left side (e.g. 220-240V).
- The socket is compatible with the plug of the appliance. If the socket is incompatible with the plug, ask an authorised technician to replace it (see Assistance). Do not use extension cords or multiple sockets.

! Once the appliance has been installed, the power supply cable and the electrical socket must be easily accessible.

! The cable must not be bent or compressed.

! The cable must be checked regularly and replaced by authorised technicians only (see Assistance).

**! The manufacturer declines any liability should these safety measures not be observed.**

\* Varies by number and/or position, available only on certain models.

## Start-up and use

### Starting the appliance

**! Before starting the appliance, follow the installation instructions (see Installation).**

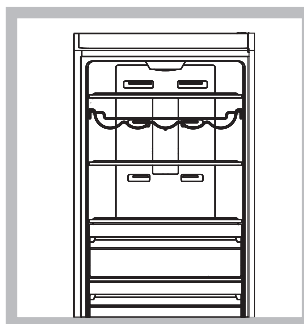
! Before connecting the appliance, clean the compartments and accessories well with lukewarm water and bicarbonate.

! Electronic versions are provided with a motor protection switch that powers on the compressor only almost 8 minutes after the starting. The compressor also starts each time the power supply is cut off whether voluntarily or involuntarily (blackout).

1. Connect the plug and check that the **FRIDGE TEMPERATURE** indicator turns on. If the indicator stays off, please press the ON/OFF button.
2. Set the **FRIDGE TEMPERATURE** on an average value. After a few hours it will be possible to insert food in the fridge.

### Cooling system

#### No Frost



The No Frost system circulates cold air continuously to collect humidity and prevent ice and frost formation. The system maintains an optimal humidity level in the compartment, preserving the original quality of the food, preventing the food from sticking together and making defrosting a thing of the past. Do not block the aeration cells by placing food or containers in direct contact with the refrigerating back panel. Close bottles and wrap food tightly.

### Using the refrigerator to its full potential

- Place only cold or lukewarm foods in the compartment• Remember that cooked foods do not last longer than raw foods.
- Do not store liquids in open containers: they will increase the level of humidity in the refrigerator and cause condensation to form.

#### COMPARTMENT 3 IN 1 ZONE\*

This is the new box which offers maximum flexibility in order to stock your food in an excellent way.

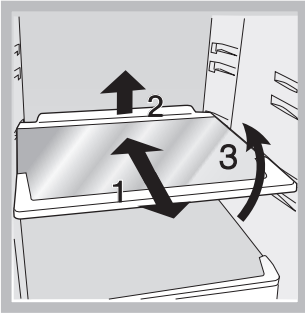
- store meat, fish and delicate food;
- rapid cooling of hot food from 70°C to 3°C and of other fresh foods and leftovers
- low temperature defrosting (it inhibits the proliferation of microorganisms).

You can get the 0°C temperature, in standard conditions, when the fridge compartment temperature is at about 4°C.

By decreasing the fridge temperature you decrease the CHILLER compartment temperature too.

**SHELVES:**

Due to the special guides the shelves are removable and the height is adjustable allowing easy storage of large containers and food. Height can be adjusted without complete removal of the shelf. (see diagram),



**TEMPERATURE** Indicator light\*: to identify the coldest area in the refrigerator.

1. Check that OK appears clearly on the indicator light (see diagram).

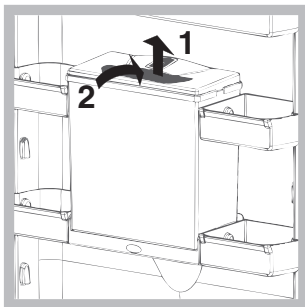


- If the word "OK" does not appear it means that the temperature is too high: set the FRIDGE TEMPERATURE on a colder value, and then wait 10 hours until the temperature becomes stable.
- Check the indicator light again: if necessary, readjust it following the initial process. If large quantities of food have been added or if the refrigerator door has been opened frequently, it is normal for the indicator not to show OK. Wait at least 10 hours before you set the FRIDGE temperature on a colder value.

### Operation and maintenance of the water dispenser.

When first used, or after prolonged periods of inactivity, wash the tank with water. The water dispenser supplies cold water without having to open the refrigerator door each time.

This also allows for reducing the product's energy consumption. To fill the tank, lift the flap or remove the cover (see picture) then pour in the water with a carafe or other suitable container. Avoid filling the tank completely.

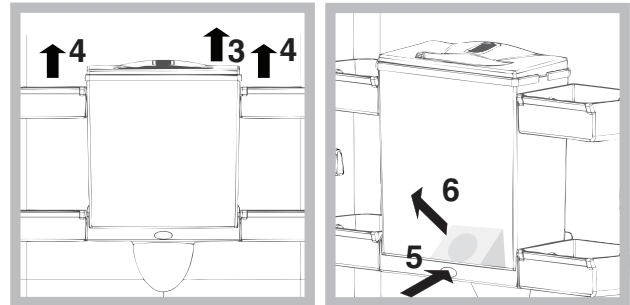


**Always exclusively use drinkable natural mineral water: any other liquid may hamper the device's correct operation.**

To withdraw water with the refrigerator door closed, press the dispenser actuator with a suitable container (glass, carafe, etc.).

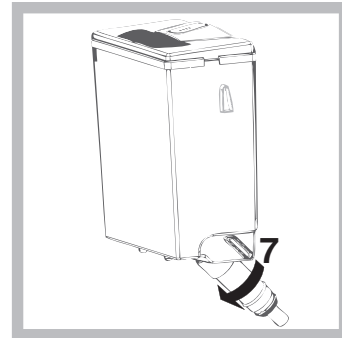
Release the actuator once the desired quantity has been dispensed. The water tank should be cleaned regularly under running water; do not use detergents. To clean the tank, remove the tank cover and upper ledges; subsequently, remove the tank by pulling it outwards while pressing the appropriate button (see picture).

**The tank must be replaced back into its housing as soon as possible so as to avoid excessive heating of the refrigerator.**



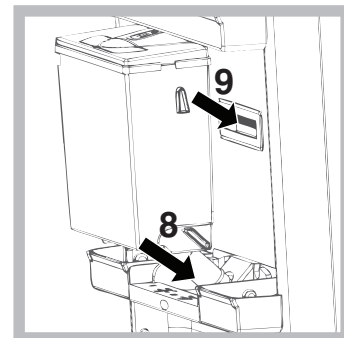
For more thorough cleaning, it is advisable to unscrew the valve from the tank (see picture) and clean it under running water.

**! Be careful not to pull the transparent mobile element of the valve.**



Once cleaning operations have been completed, screw the valve back on while ensuring that the internal seal adheres to the end part of the tank bushing; subsequently, put the tank-valve assembly back into the appropriate cylindrical housing of the door, while making sure that the upper hook on the rear wall of the tank is properly inserted in the appropriate compartment on the inner wall of the door. Put the previously removed ledges and tank cover back in place.

**! Make sure that the tank has been properly inserted in the door (see picture).**



! The presence of water drops on the tank walls is a normal occurrence during the product's operation.

**! Dry any drops present on the outer walls of the product. ! To empty completely the Water Tank, please disassembly it as shown on the picture, spill the water, clean with a soft textile and assembly in the product.**

**! If the water drops remain on the external door surface after use, clean it with a soft cleaning textile.**

## Using the freezer to its full potential

- Do not re-freeze food that is defrosting or that has already been defrosted. These foods must be cooked and eaten (within 24 hours).
  - Fresh food for freezing should not be placed in contact with the one already frozen; it should be placed in the lower FREEZER and STORAGE compartment that provides the best freezing rate.
  - To freeze fresh food in the best and safest way possible, activate the SUPER function 24 hours before placing the food in the freezer. After placing the food inside, activate the SUPER function again; it will be deactivated automatically after 24 hours;
  - Do not place glass bottles which contain liquids, and which are corked or hermetically sealed in the freezer because they could break.
  - The maximum quantity of food that may be frozen daily is indicated on the plate containing the technical properties located on the bottom left side of the refrigerator compartment (for example: 2Kg/24h ).
- ! To avoid blocking the air circulation inside the freezer compartment, it is advisable not to obstruct the ventilation holes with food or containers.
- ! Do not open the door during freezing.
- ! If there is a power cut or malfunction, do not open the freezer door. This will help maintain the temperature inside the freezer, ensuring that foods are conserved for at least 12-18 hours.
- ! To get more space inside your freezer, you can take out any drawers (and flaps, if appropriate), from their slots, by putting your food directly on the provided shelves.

## Maintenance and care

### Switching the appliance off

During cleaning and maintenance it is necessary to disconnect the appliance from the electricity supply:

1. Press the ON/OFF button to turn off the device
2. pull the plug out of the socket

### Cleaning the appliance

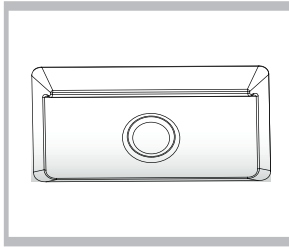
- The external and internal parts, as well as the rubber seals may be cleaned using a sponge that has been soaked in lukewarm water and bicarbonate of soda or neutral soap. Do not use solvents, abrasive products, bleach or ammonia.
- The removable accessories may be soaked in warm water and soap or dishwashing liquid. Rinse and dry them carefully.
- The back of the appliance may collect dust which can be removed by delicately using the hose of a vacuum cleaner set on medium power. The appliance must be switched off and the plug must be pulled out before cleaning the appliance.

### Avoiding mould and unpleasant odours

- The appliance is manufactured with hygienic materials which are odour free. In order to maintain an odour free refrigerator and to prevent the formation of stains, food must always be covered or sealed properly.
- If you want to switch the appliance off for an extended period of time, clean the inside and leave the doors open.

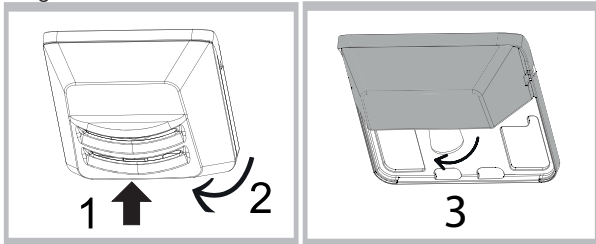
### Replace LED \* light

The LED lighting, thanks to the powerful diffused light, allows a clear view of each food. If you need to replace the LED light, contact the Technical Service.



### Replacing the light bulb \*

To replace the light bulb in the refrigerator compartment, pull out the plug from the electrical socket. Follow the instructions below. Access the light bulb by removing the cover as indicated in the diagram. Replace it with a similar light bulb within the power range indicated on the cover.



## Precautions and tips

! The appliance was designed and manufactured in compliance with international safety standards. The following warnings are provided for safety reasons and must be read carefully.

This appliance complies with the following Community Directives:  
 - 73/23/EEC of 19/02/73 (Low Voltage) and subsequent amendments;  
 -89/336/EEC of 03.05.89 (Electromagnetic Compatibility) and subsequent amendments;  
 - 2002/96/CE.



### General safety

- The appliance was designed for domestic use inside the home and is not intended for commercial or industrial use.
- The appliance must be used to store and freeze food products by adults only and according to the instructions in this manual.
- The appliance must not be installed outdoors, even in covered areas. It is extremely dangerous to leave the appliance exposed to rain and storms.
- Do not touch the appliance with bare feet or with wet or moist hands and feet.
- Do not touch the internal cooling elements; this could cause skin abrasions or frost/freezer burns.
- When unplugging the appliance always pull the plug from the mains socket, do not pull on the cable.
- Before cleaning and maintenance, always switch off the appliance and disconnect it from the electrical supply. -It is not enough to turn off the device (with the ON/OFF button) to eliminate all electric contacts.
- In the case of a malfunction, under no circumstances should you attempt to repair the appliance yourself. Repairs carried out by inexperienced persons may cause injury or further malfunctioning of the appliance.
- Do not use any sharp or pointed utensils or electrical

\* Varies by number and/or position, available only on certain models.

equipment - other than the type recommended by the manufacturer - inside the frozen food storage compartments.

- Do not put ice cubes taken directly from the freezer into your mouth.
- This appliance is not intended for use by persons (including children) with reduced physical, sensory or lack of experience and knowledge unless they have been given Supervision or instruction concerning use of the appliance by a person responsible for their safety. Children should be Supervised to ensure that they do not play with the appliance.
- Keep packaging material out of the reach of children! It can become a choking or suffocation hazard.

## Disposal

- Observe local environmental standards when disposing packaging material for recycling purposes.
- The European Directive 2012/19/EU on Waste Electrical and Electronic Equipment (WEEE), requires that old household electrical appliances must not be disposed of in the normal unsorted municipal waste stream. Old appliances must be collected separately in order to optimise the recovery and recycling of the materials they contain and reduce the impact on human health and the environment. The crossed out "wheeled bin" symbol on the product reminds you of your obligation, that when you dispose of the appliance it must be separately collected. Consumers should contact their local authority or retailer for information concerning the correct disposal of their old appliance.

## Respecting and conserving the environment

- Install the appliance in a fresh and well-ventilated room. Ensure that it is protected from direct sunlight and do not place it near heat sources.
- Try to avoid keeping the door open for long periods or opening the door too frequently in order to conserve energy.
- Do not fill the appliance with too much food: cold air must circulate freely for food to be preserved properly. If circulation is impeded, the compressor will work continuously.
- Do not place hot food directly into the refrigerator. The internal temperature will increase and force the compressor to work harder and will consume more energy.
- Defrost the appliance if ice forms (see **Maintenance**). A thick layer of ice makes cold transference to food products more difficult and results in increased energy consumption.

## Troubleshooting

If the appliance does not work, before calling for Assistance (see Assistance), check for a solution from the following list.

### The interface is off.

- The plug is not inserted in the outlet, or it is not powerful enough to create a contact, or there is no electricity in the house.

### The motor does not start.

- The appliance comes with a motor protection control (see **Start-up and use**).

#### a) The alarm sounds.

a) The refrigerator door has remained open for more than two minutes (the buzzer will stop sounding when you shut the door) or the correct switching-off procedure was not followed (see **Maintenance**).

### The refrigerator and the freezer do not cool well.

- The doors do not close properly or the seals are damaged.
- The doors are opened too frequently.

- The FRIDGE TEMPERATURE is not correct (see Description).
- The refrigerator or the freezer have been over-filled.

### The food inside the refrigerator is beginning to freeze.

- The FRIDGE TEMPERATURE is not correct (see Description).
- The food is in contact with the back inside wall of the refrigerator.

### The motor runs continuously.

- The SUPER button was pressed: the yellow SUPER indicator is on (see Description).
- The door is not closed properly or is continuously opened.
- The outside ambient temperature is very high.

### The appliance makes a lot of noise.

- The appliance has not been installed on a level surface (see **Installation**).
- The appliance has been installed between cabinets that vibrate and make noise.
- The internal refrigerant makes a slight noise even when the compressor is off. This is not a defect, it is normal.

### The back wall of the refrigerator unit is covered in frost or droplets of water

- This shows the appliance is operating normally.



