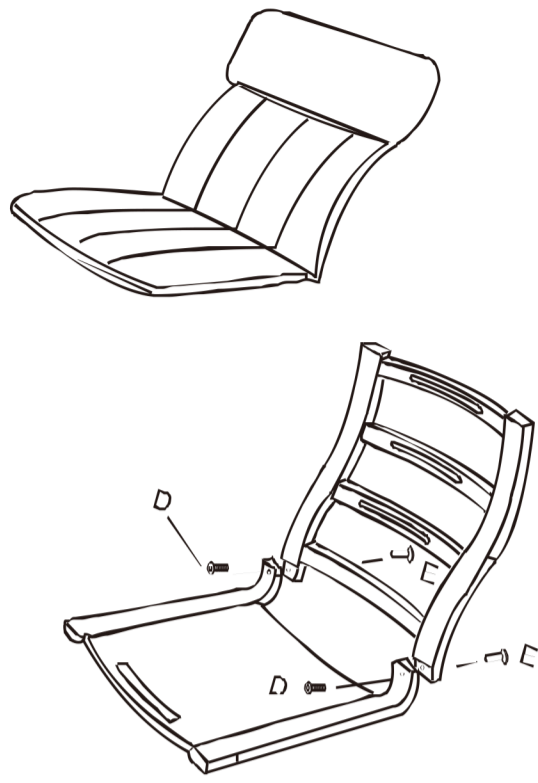


# Assembly Instructions

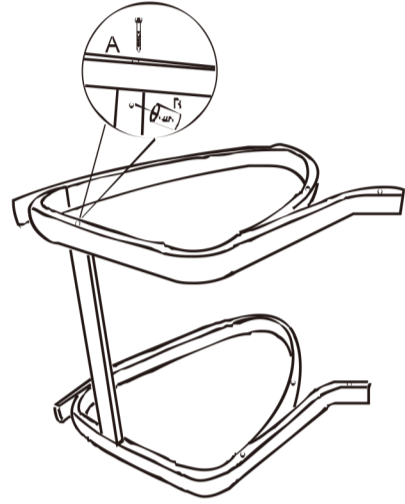
## Step 1

- a. fix seat frame **6** and back frame **5** by using screw **D** and screw caps **E**
- b. put the cushion **4** onto the wooden frame.



## Step 2

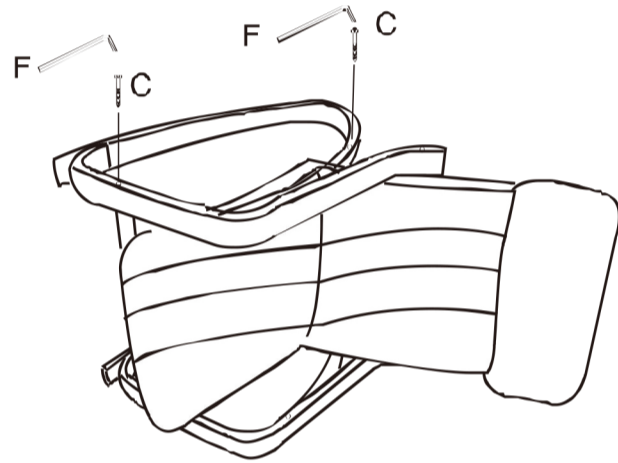
Fix the support bar **3** onto armrest **1** and **2** by using screw **A** and nut **B**.



## Step 3

### Attaching the cushion

Using screw **C** to fix the cushion onto the armrest, finally tighten all the screws by using Allen key **F**.

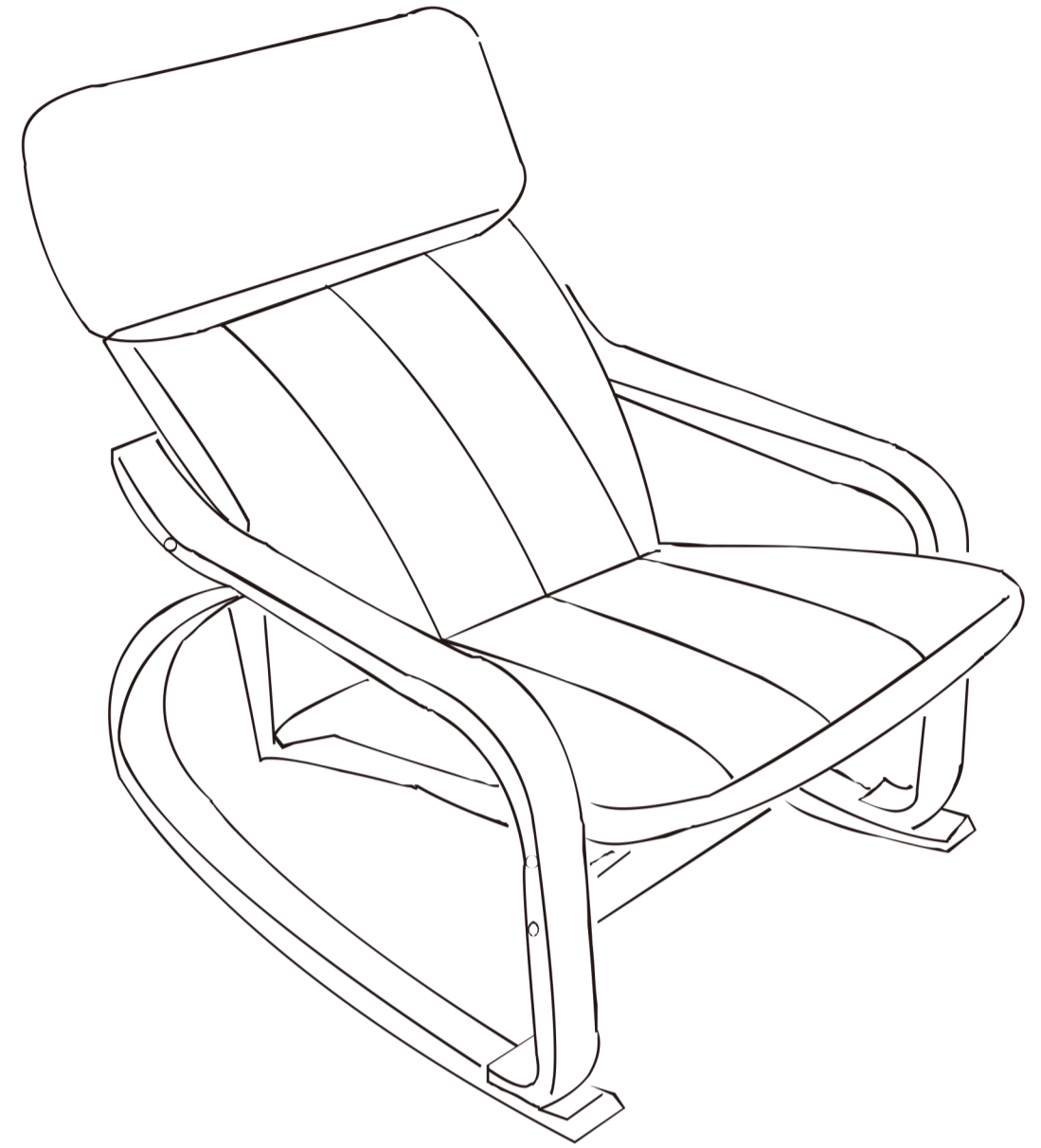


3

# ROCKING CHAIR

Assembly Instructions - Please keep for future reference

724/5538  
792/2789  
413/7735



## Dimensions

Width - 67  
Depth - 95  
Height - 83  
Seat Height - 44.5

**Important** - Please read these instructions fully before starting assembly

If you need help or have damaged or missing parts, call the Argos Aftersales helpline 0345 640 0800 489-499 Avebury Boulevard Milton Keynes MK92NW, Argos Limited

ISSUE 1 10/2014

## Safety and Care Advice

**Important** - Please read these instructions fully before starting assembly

- Check you have all the components and tools listed on pages 2.
- Remove all fittings from the plastic bags and separate them into their groups.
- Keep children and animals away from the work area, small parts could choke if swallowed.
- Make sure you have enough space to layout the parts before starting.

- Do not stand or put weight on the product, this could cause damage.
- Assemble the item as close to its final position (in the same room) as possible.
- Assemble on a soft level surface to avoid damaging the unit or your floor.
- Parts of the assembly will be easier with 2 people.



• We do not recommend the use of power drill/drivers for inserting screws, as this could damage the unit. Only use hand screwdrivers.

- Dispose of all packaging carefully and responsibly.

## Care and maintenance

- Only clean using a damp cloth and mild detergent, do not use bleach or abrasive cleaners.

- From time to time check that there are no loose screws on this unit.

- This product should not be discarded with household waste. Take to your local authority waste disposal centre.

## Notes:

- Maximum load for this chair is 150kgs, personal injury could result if the chair is subjected to higher load.
- Do not use this chair on uneven ground.

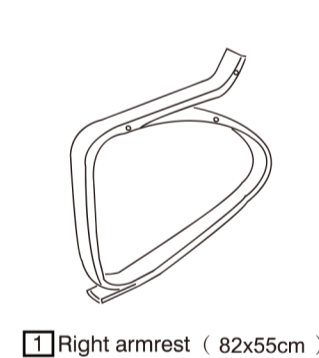
- Adult assembly is required.
- The chair is suitable for children under 3-10 years old.
- Please retain the information relating to this product for further reference.

- Always follow the instructions provided for the assembly, use and maintenance of the product.
- To avoid puncturing place on a clean even surface free from stones and other sharp debris.

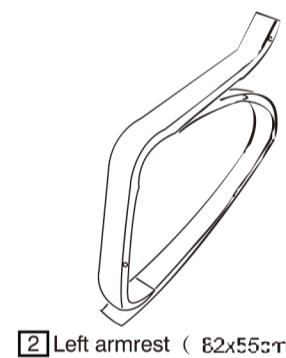
• Argos Co., Ltd  
489-499 Avebury Boulevard Saxon Gate West, Central Milton Keynes, Bucks, MK92NW

## Components

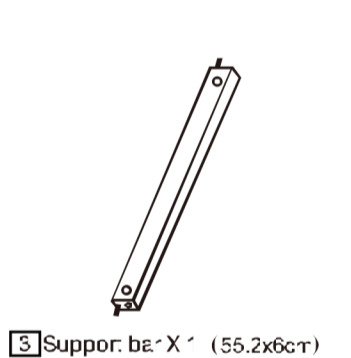
Please check you have all the Components listed below



1 Right armrest ( 82x55cm )



2 Left armrest ( 82x55cm )



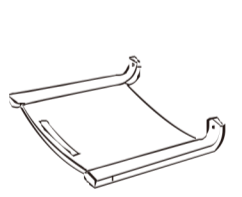
3 Support bar X ( 55.2x6cm )



4 Cushion ( 123x58cm )



5 Back frame ( 68x55cm )



6 Seat frame ( 55x55cm )

## Components - Fittings

If you have damaged or missing components, call the Customer Helpline: 0345 640 0800

Please check you have all the fittings listed below

<b>A</b>  long screws X2	<b>B</b>  nuts X2	<b>C</b>  short screws X4
<b>D</b>  small screws X2	<b>E</b>  screw caps X2	<b>F</b>  Allen Key X1

**Ruler** - Use this ruler to help correctly identify the screws

